



US00D432574S

United States Patent [19] Tsou

[11] **Patent Number: Des. 432,574**

[45] **Date of Patent: ** Oct. 24, 2000**

[54] **OPENABLE LOWER SUPPORT BAR WITH ROLLER FOR A TAPE DISPENSER**

[76] Inventor: **Yeong-Haw Tsou**, P.O. Box 2206, Arcadia, Calif. 91077

[**] Term: **14 Years**

[21] Appl. No.: **29/101,629**

[22] Filed: **Mar. 8, 1999**

[51] **LOC (7) Cl.** **19-02**

[52] **U.S. Cl.** **D19/69; D19/67**

[58] **Field of Search** D19/65, 67-69; 206/389, 395, 396, 397, 398, 411, 415; 225/6, 7, 9, 25, 21, 34-36, 45-46, 56, 65, 77, 89; 156/327, 526, 527, 577, 523; 242/588, 588.1-588.6

[56] **References Cited**

U.S. PATENT DOCUMENTS

D. 197,157	12/1963	Casey	D19/69
D. 227,810	7/1973	Boyce	D19/69
2,487,351	11/1949	Marsh	156/526
2,506,504	5/1950	Hudson	225/21

3,131,109	4/1964	Auld et al.	156/579 X
3,187,968	6/1965	Favre	225/56
5,381,942	1/1995	Lin	225/56
5,759,342	6/1998	Luhman et al.	156/577

Primary Examiner—Martie K. Holtje

[57] **CLAIM**

The ornamental design for a openable lower support bar with roller for a tape dispenser, as shown and described.

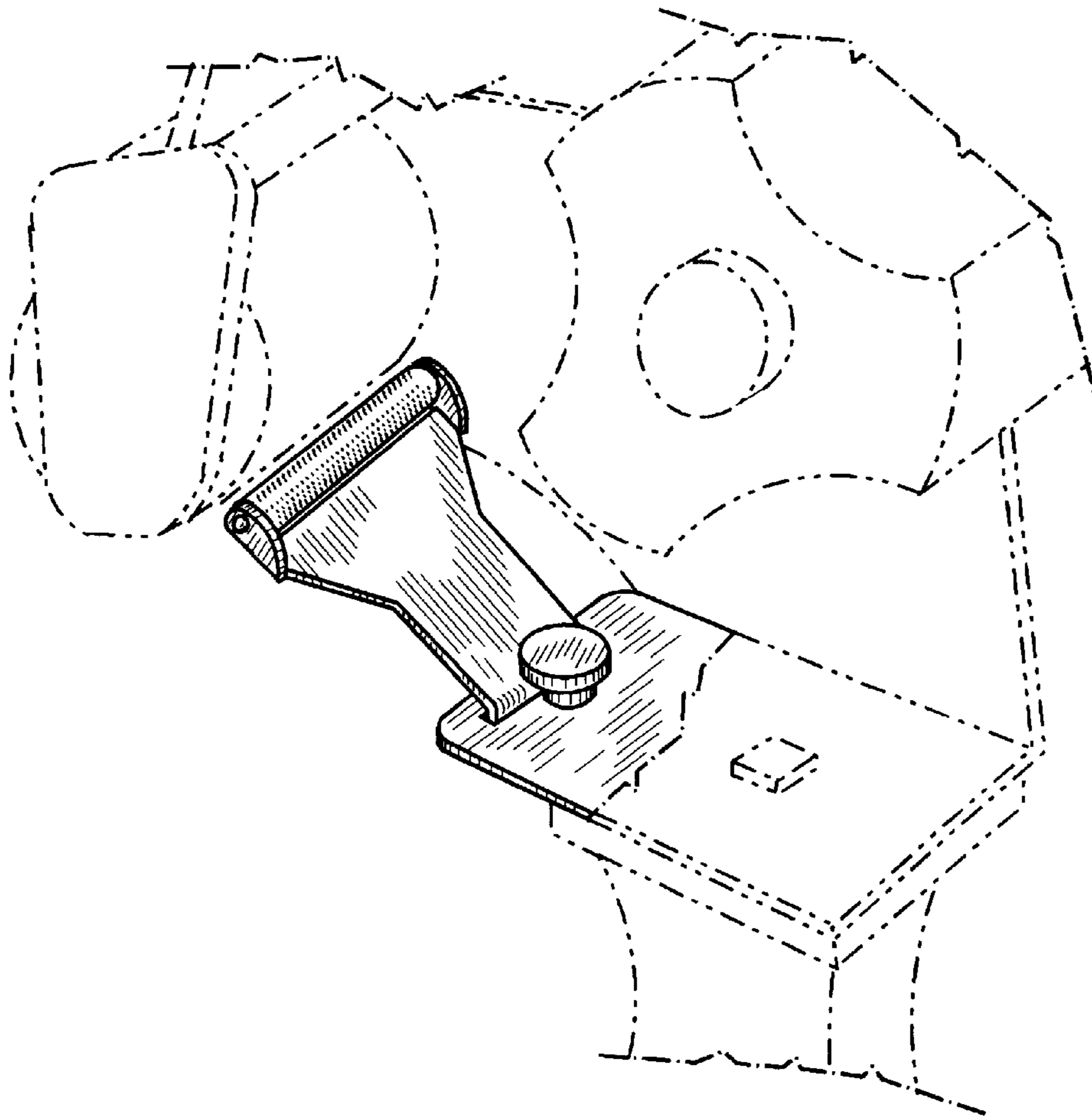
DESCRIPTION

FIG. 1 is a Perspective View of a openable lower support bar with roller for a tape dispenser showing my new design. FIG. 2 is a Top View. FIG. 3 is a Bottom View. FIG. 4 is Side Elevational View; and, FIG. 5 is a Sectional View taken on line 5—5 respectively of FIG. 2.

The stippled shading on roller shown in FIGS. 1, 2 and 3 are illustrating the non-stick rough surface of the roller.

The structure depicted by means of broken lines in FIGS. 1 and 5 has been shown for illustrative purposes only and forms no part of the claimed design.

1 Claim, 2 Drawing Sheets



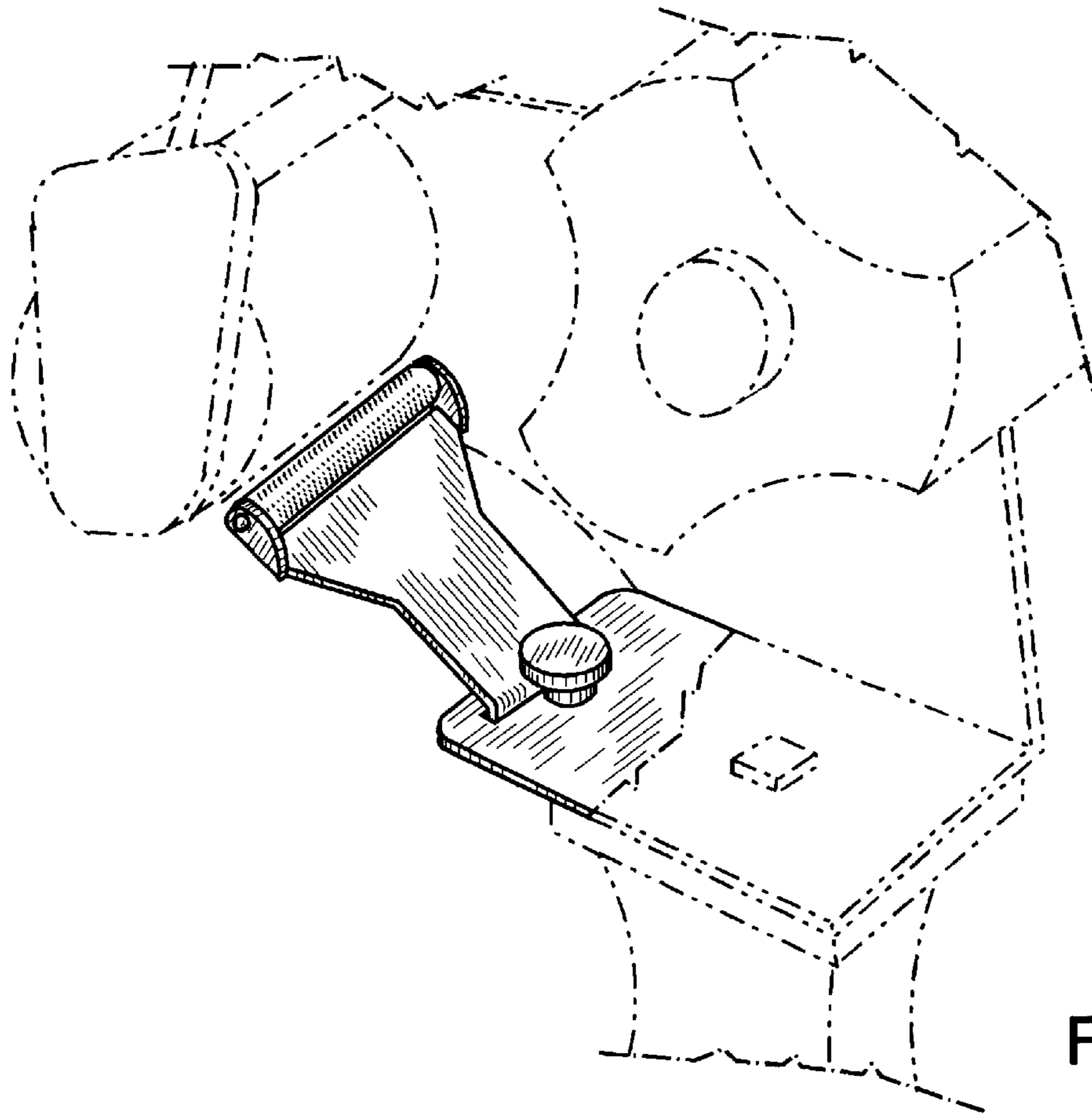


FIG. 1

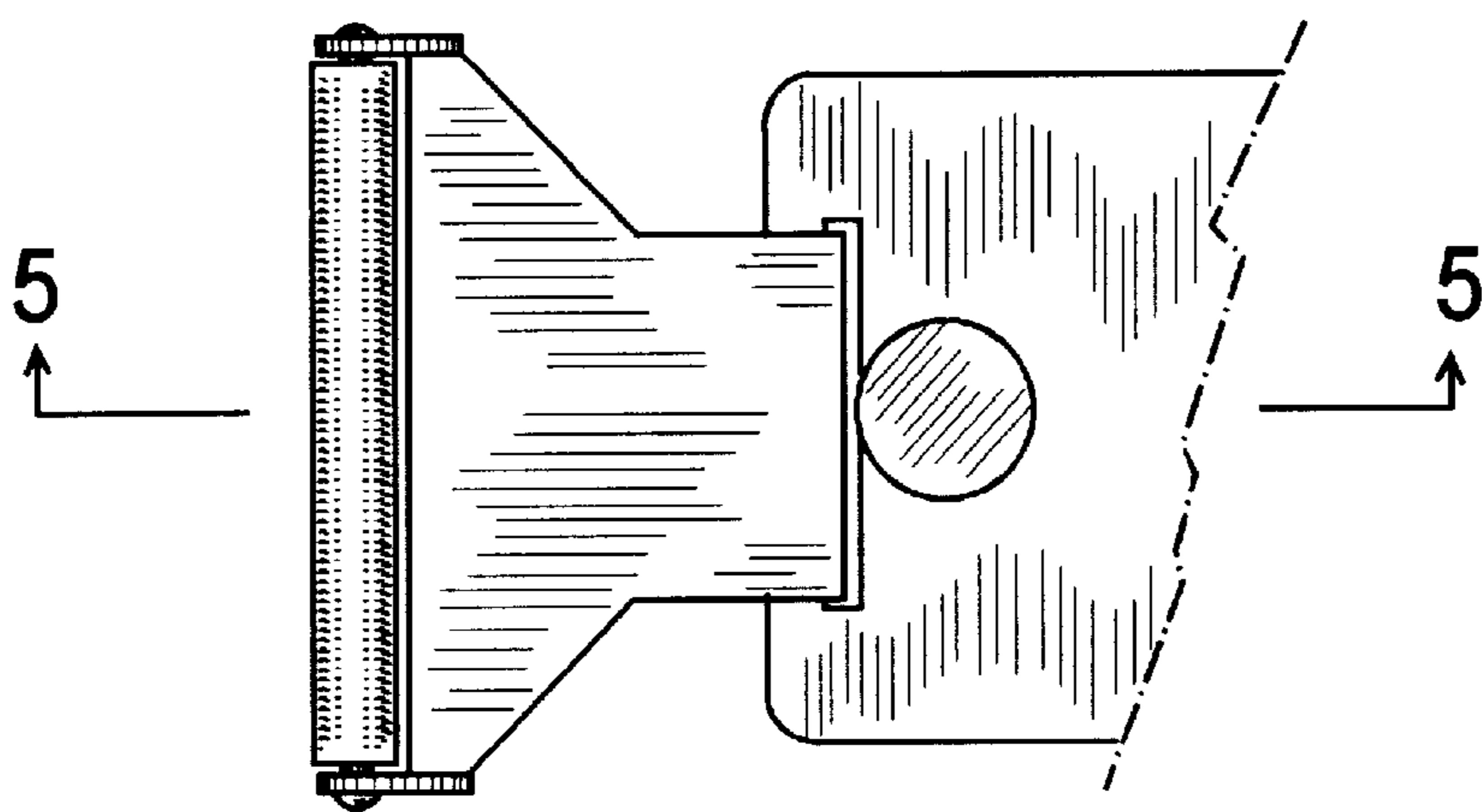


FIG. 2

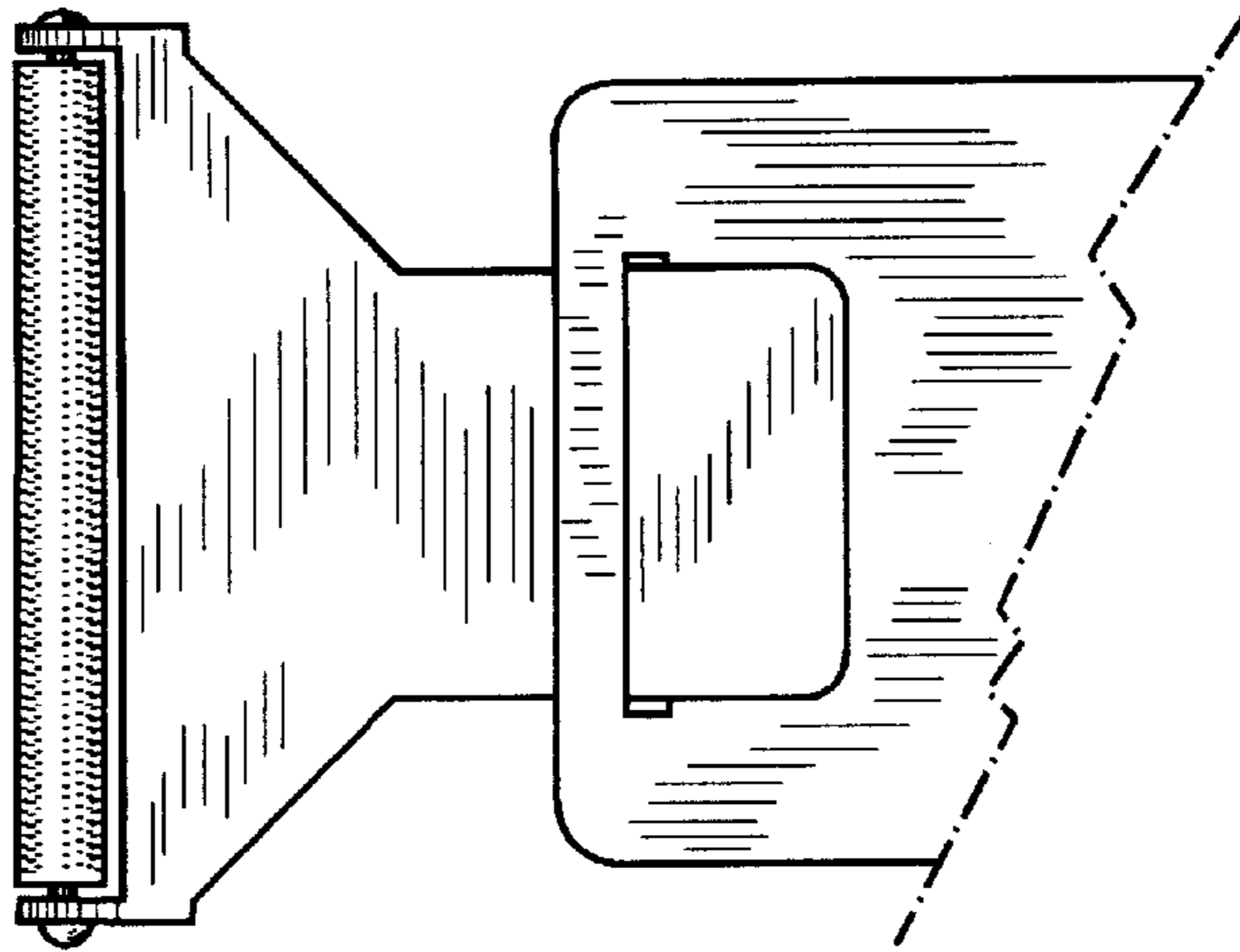


FIG. 3

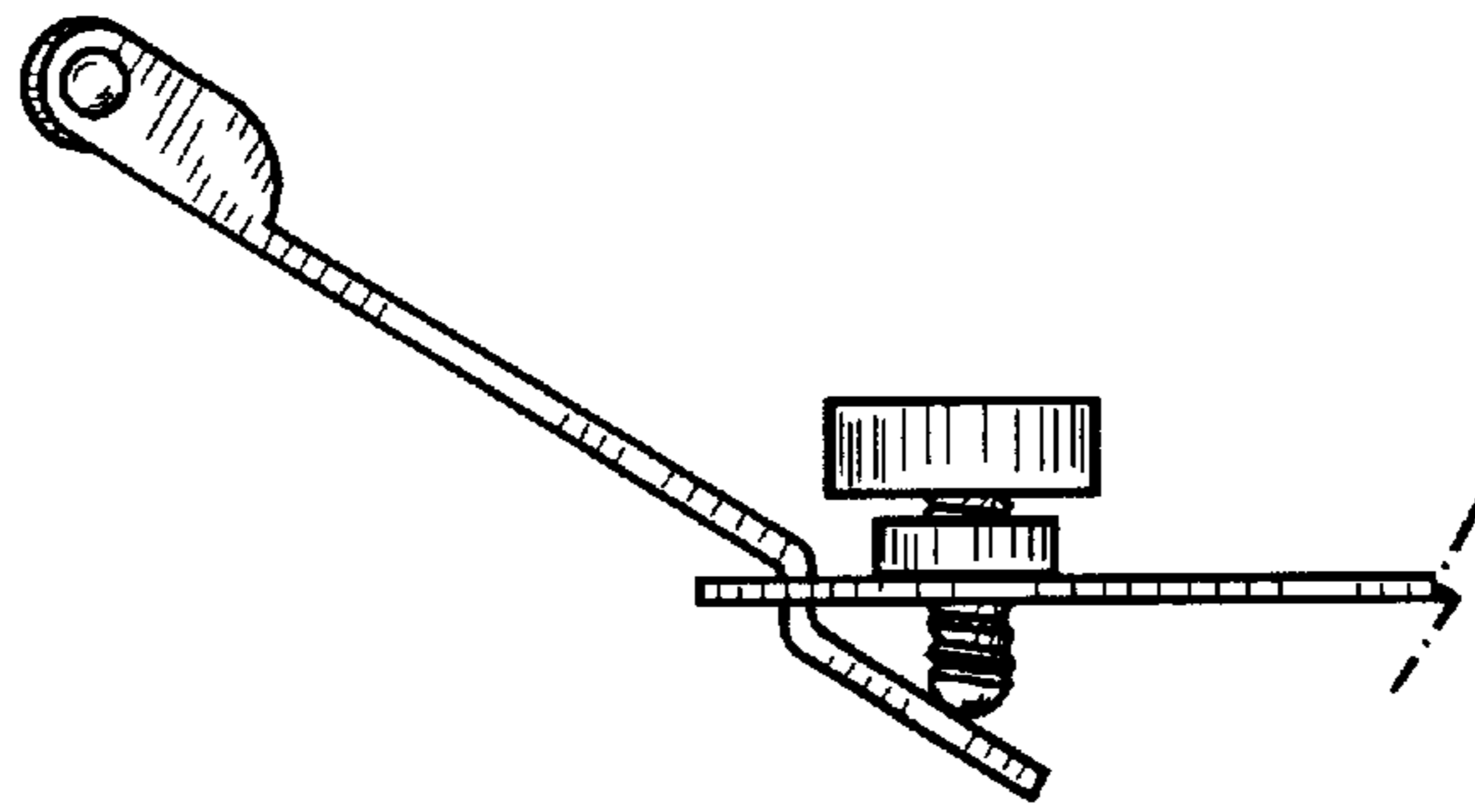


FIG. 4

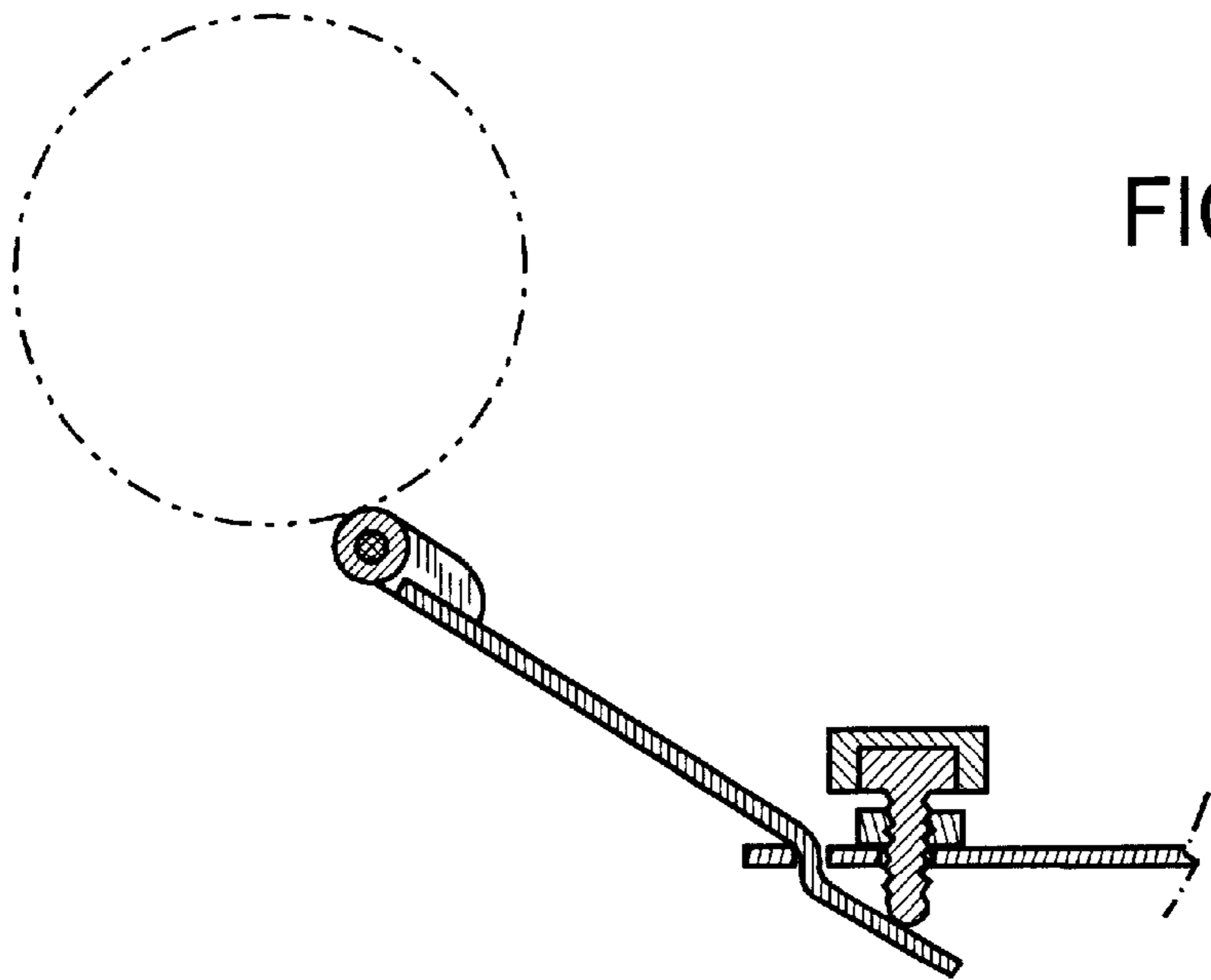


FIG. 5