



US00D432573S

United States Patent [19] Grätz

[11] Patent Number: **Des. 432,573**

[45] Date of Patent: **** Oct. 24, 2000**

[54] **TAPE DISPENSER**

[76] Inventor: **Annette Grätz**, Fredsgatan 39, Sala, Sweden, 733 31

[**] Term: **14 Years**

[21] Appl. No.: **29/100,901**

[22] Filed: **Feb. 19, 1999**

[51] **LOC (7) Cl.** **19-02**

[52] **U.S. Cl.** **D19/69; D19/67**

[58] **Field of Search** D19/65, 67-69; 206/389, 395, 396, 397, 398, 411, 415; 225/6, 7, 9, 25, 34-36, 45-46, 56, 65, 77, 89, 106; 156/327, 527, 577, 523; 242/588, 588.1-588.6

[56] **References Cited**

U.S. PATENT DOCUMENTS

D. 192,455 3/1962 Castelli D19/69
D. 194,756 3/1963 Norman D19/69

1,704,044 3/1929 Ingram 225/106
2,217,397 10/1940 Armit 206/395
2,953,245 9/1960 Fastron 242/588.4
3,106,288 10/1963 Bolding 242/588.4
5,642,866 7/1997 Nieding 242/588.4

Primary Examiner—Martie K. Holtje
Attorney, Agent, or Firm—Notaro & Michalos P.C.

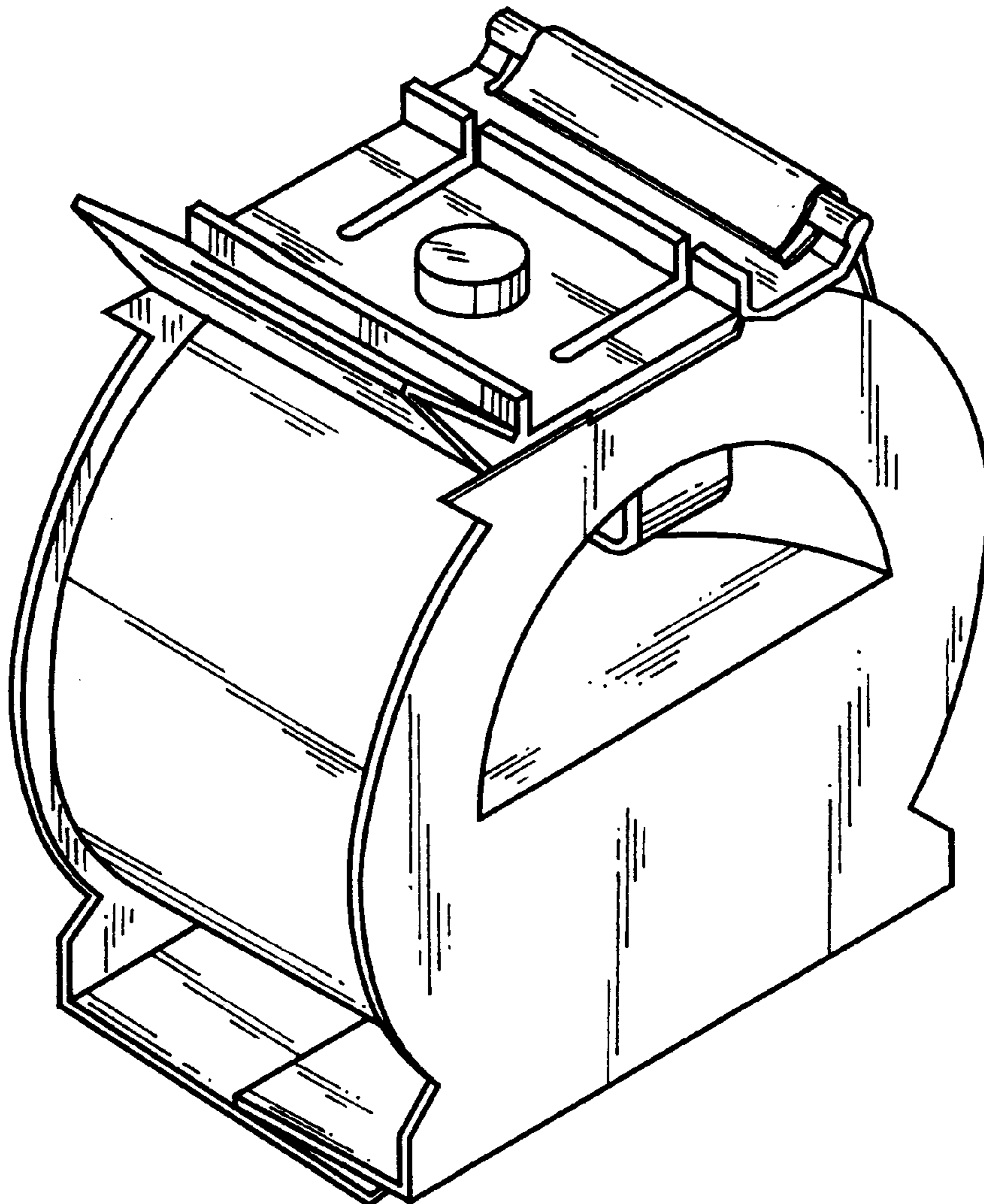
[57] CLAIM

I claim the ornamental design for a tape dispenser, substantially as shown.

DESCRIPTION

FIG. 1 is a perspective view of a tape dispenser viewed obliquely from above;
FIG. 2 is a perspective view of a tape dispenser of FIG. 1 viewed obliquely from below; and,
FIG. 3 is a front view of a tape dispenser of FIG. 1 viewed obliquely from above.

1 Claim, 2 Drawing Sheets



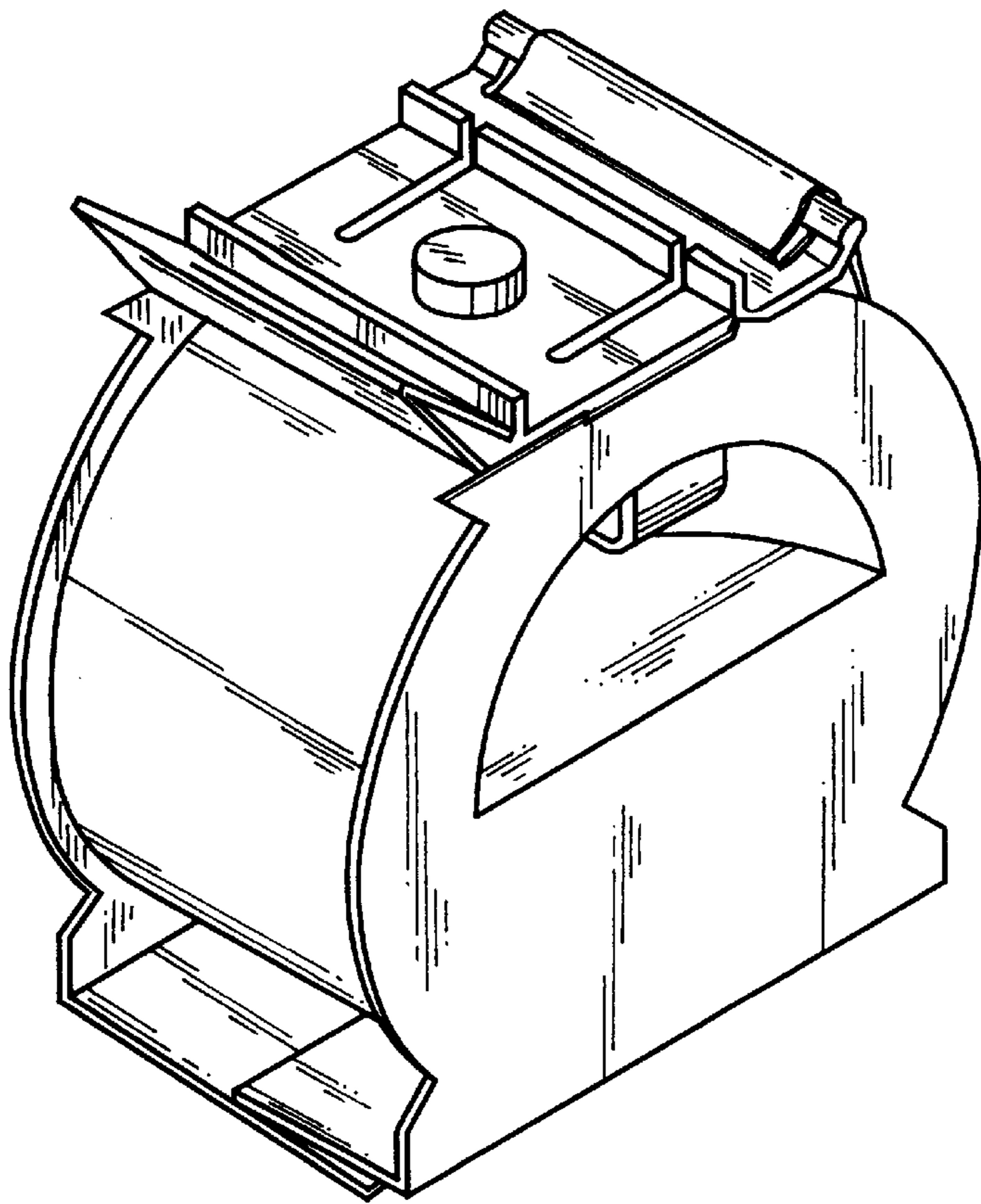


FIG. 1

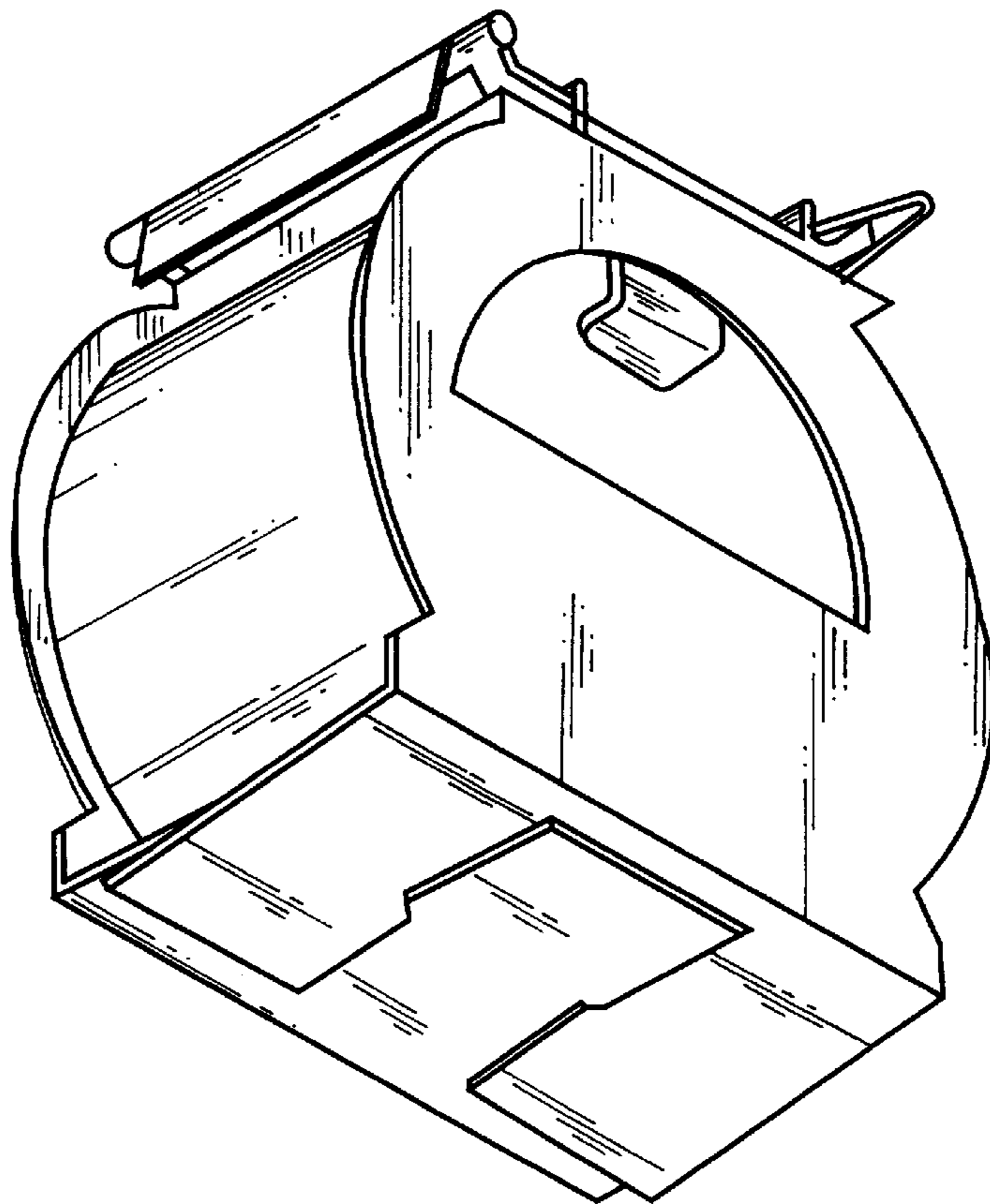


FIG. 2

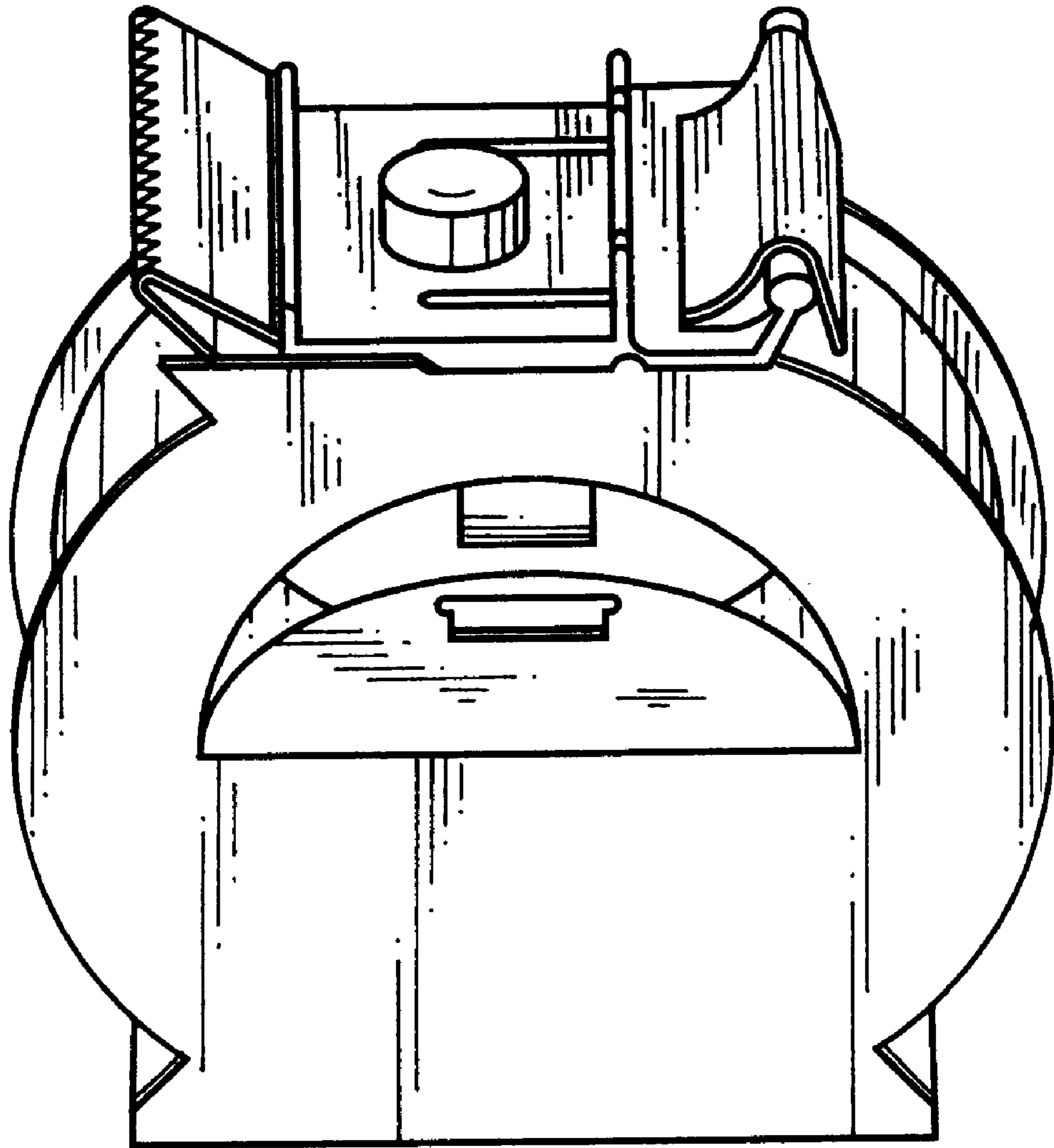


FIG. 3