



US00D432565S

# United States Patent [19]

Gassett et al.

[11] Patent Number: Des. 432,565

[45] Date of Patent: \*\* Oct. 24, 2000

[54] **PRINTER**

[75] Inventors: **John Wayne Gassett; Peter Joseph Mendel; Thomas Eugene Pangburn**, all of Lexington, Ky.

[73] Assignee: **Lexmark International, Inc.**, Lexington, Ky.

[\*\*] Term: **14 Years**

[21] Appl. No.: **29/103,793**

[22] Filed: **Apr. 22, 1999**

[51] **LOC (7) Cl.** ..... **14-02**

[52] **U.S. Cl.** ..... **D18/55**

[58] **Field of Search** ..... D18/36-39, 50, D18/54-55; 400/613, 613.1-613.4, 691-694, 690.1-690.4

[56] **References Cited**

**U.S. PATENT DOCUMENTS**

- D. 390,258 2/1998 Kawahara et al. .... D18/55
- D. 390,597 2/1998 Igarashi et al. .... D18/55
- D. 395,332 6/1998 Leong et al. .... D18/55

- D. 399,251 10/1998 McGlashan ..... D18/55
- D. 400,571 11/1998 Shimizu ..... D18/54
- D. 400,918 11/1998 Kobayashi et al. .... D18/55
- D. 401,965 12/1998 Pangburn ..... D18/55
- D. 414,799 10/1999 Cook et al. .... D18/55
- D. 419,591 1/2000 Pangburn ..... D18/55
- D. 421,768 3/2000 Blair et al. .... D18/50

*Primary Examiner*—Cathy Anne MacCormac  
*Attorney, Agent, or Firm*—John A. Brady

[57] **CLAIM**

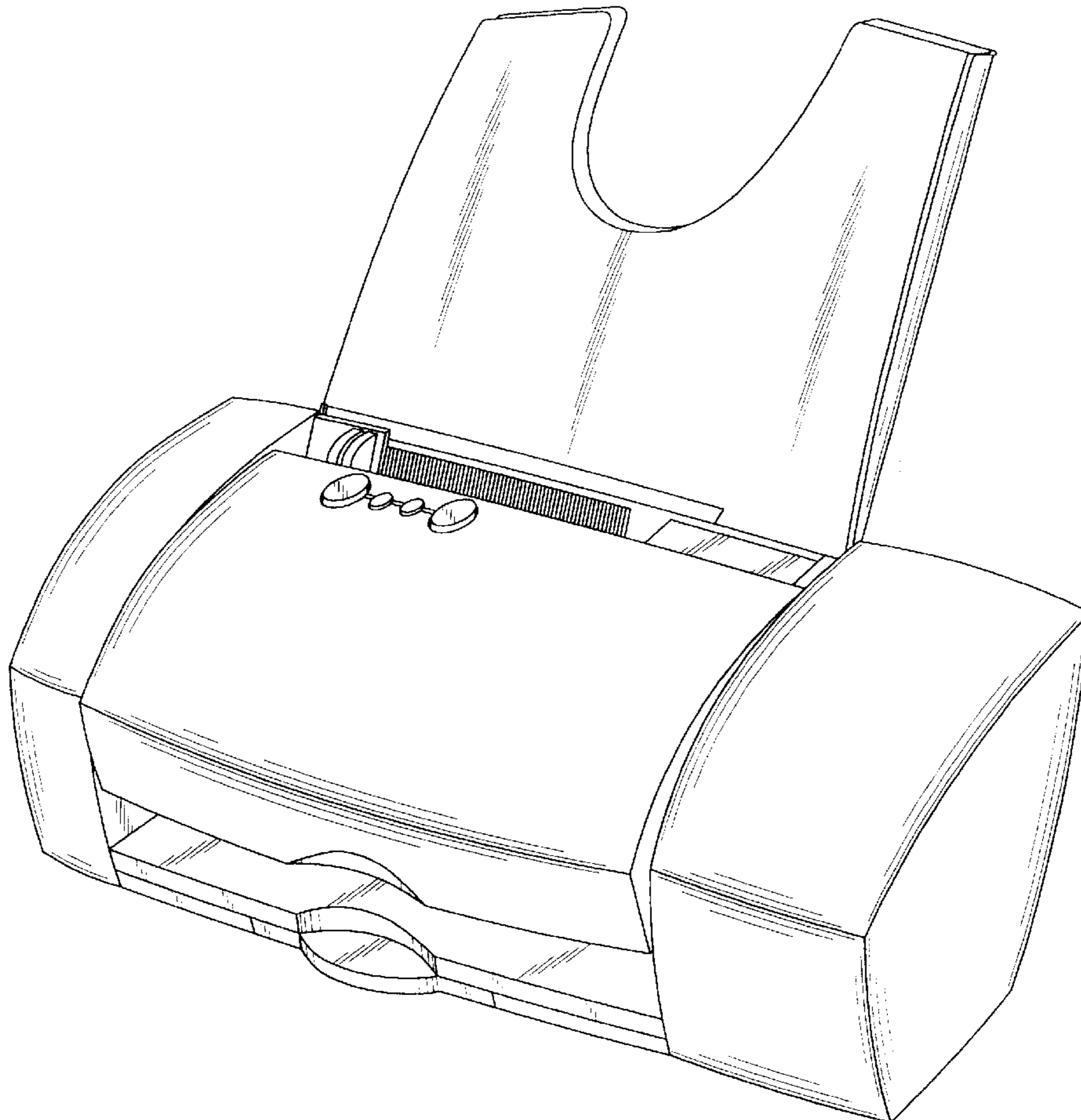
The ornamental design for a printer, as shown and described.

**DESCRIPTION**

FIG. 1 is a top front, right side perspective view of a printer showing my new design;  
 FIG. 2 is a front elevational view thereof;  
 FIG. 3 is a left side elevational view thereof;  
 FIG. 4 is a right side elevational view thereof;  
 FIG. 5 is a top plan view thereof; and,  
 FIG. 6 is a rear elevational view thereof.

The bottom of this printer normally rests on a surface and is not seen nor intended to be seen as a part of my new design.

**1 Claim, 5 Drawing Sheets**



*FIG. 1*

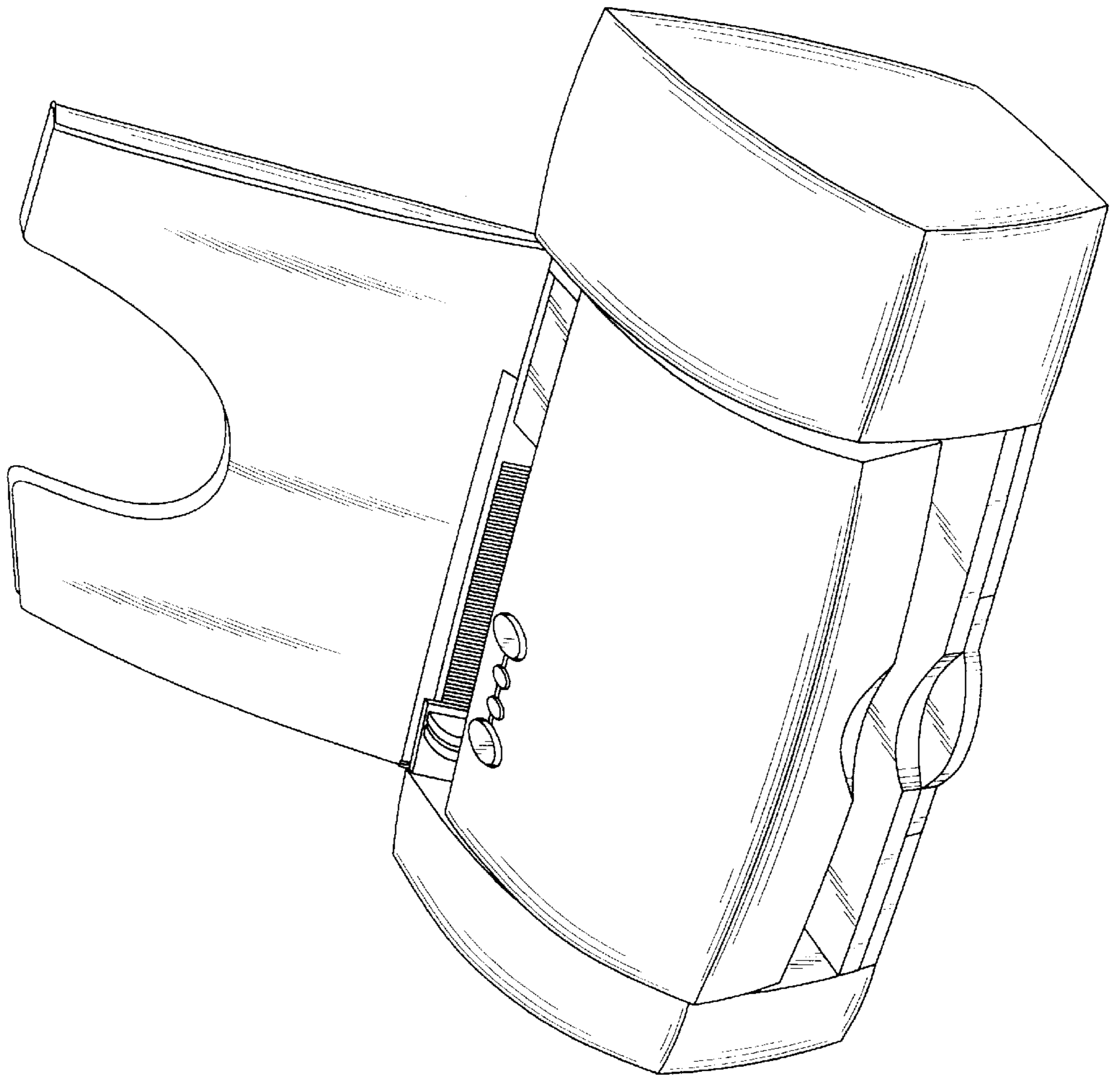


FIG. 2

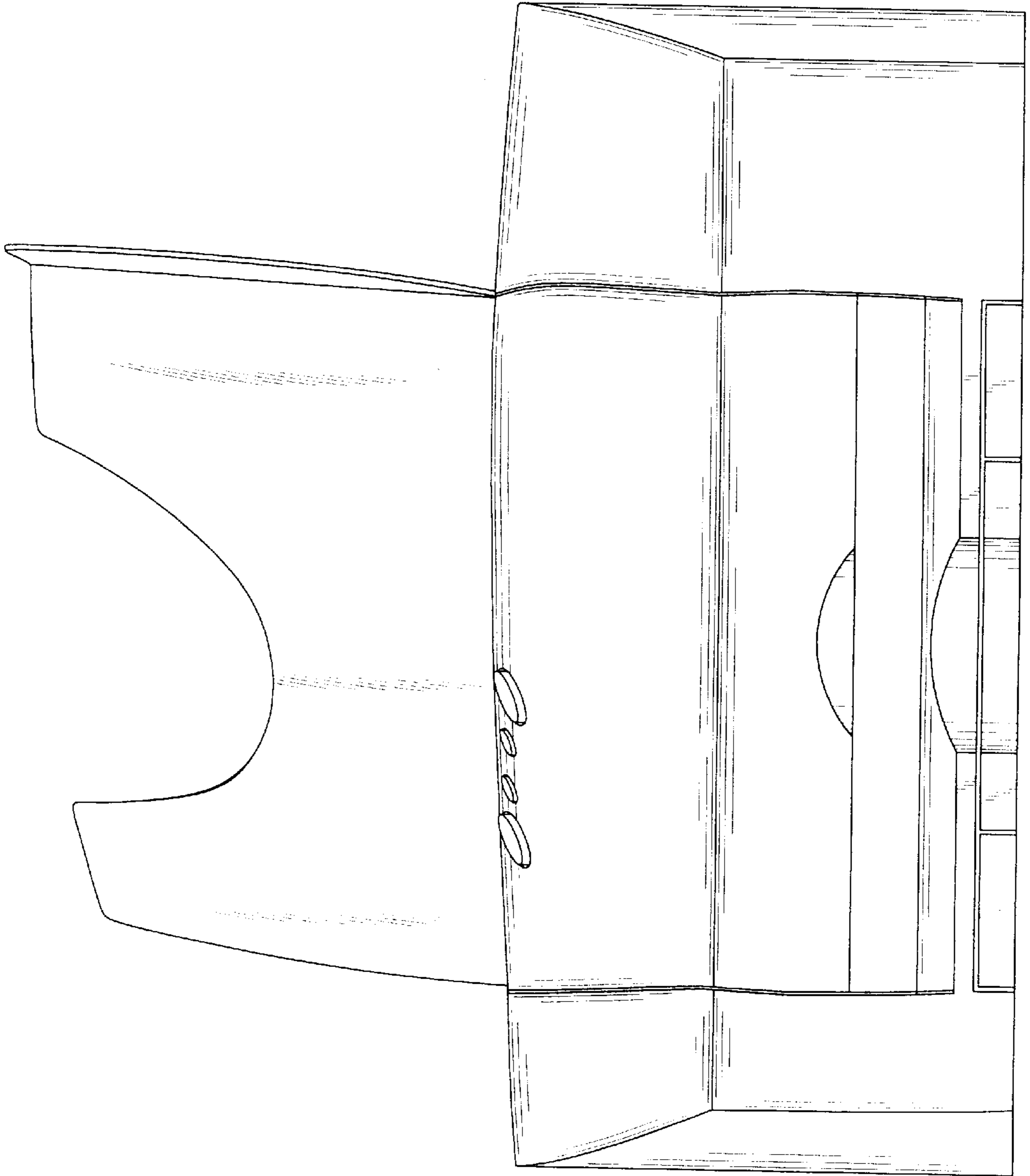


FIG. 4

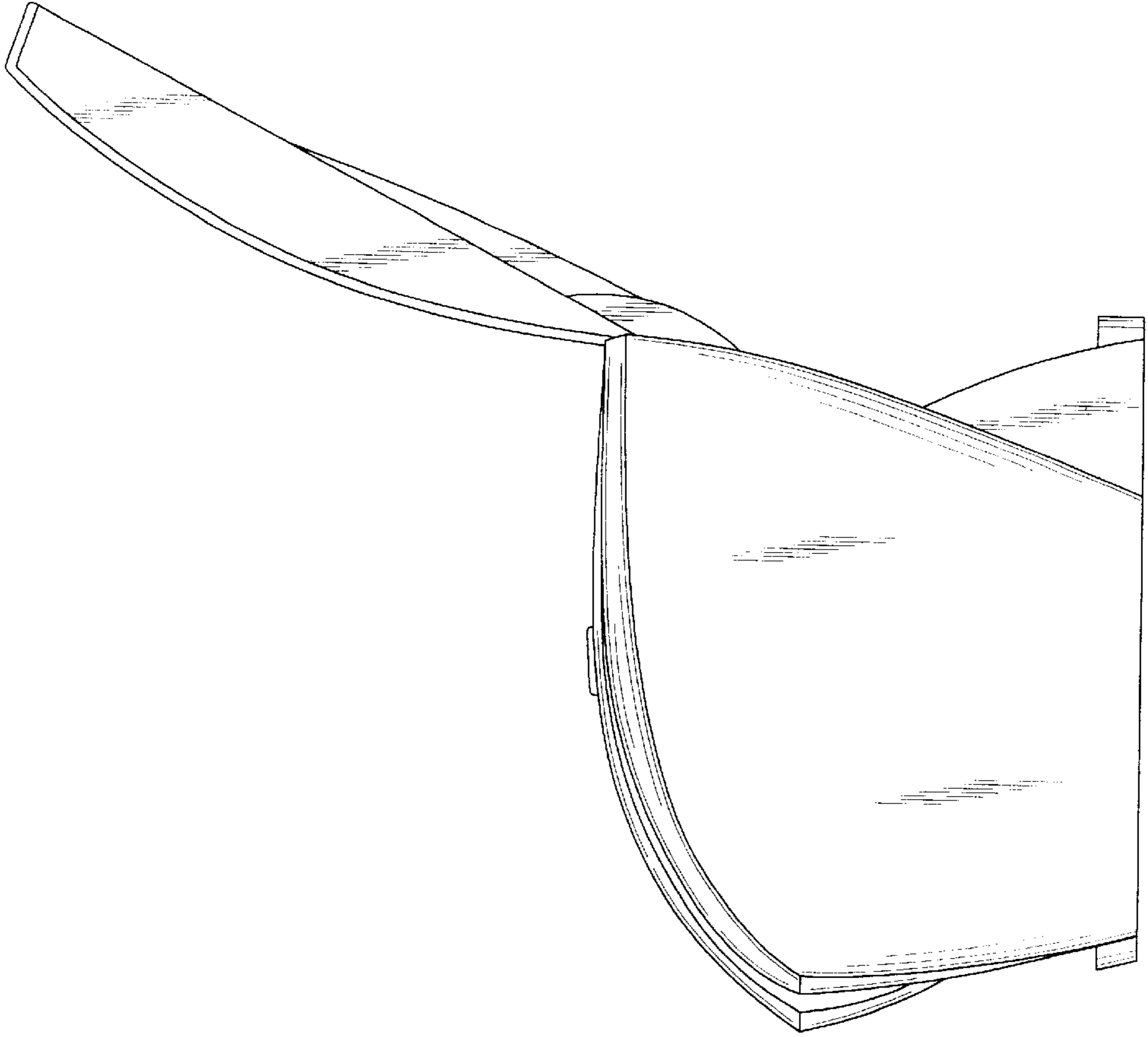


FIG. 3

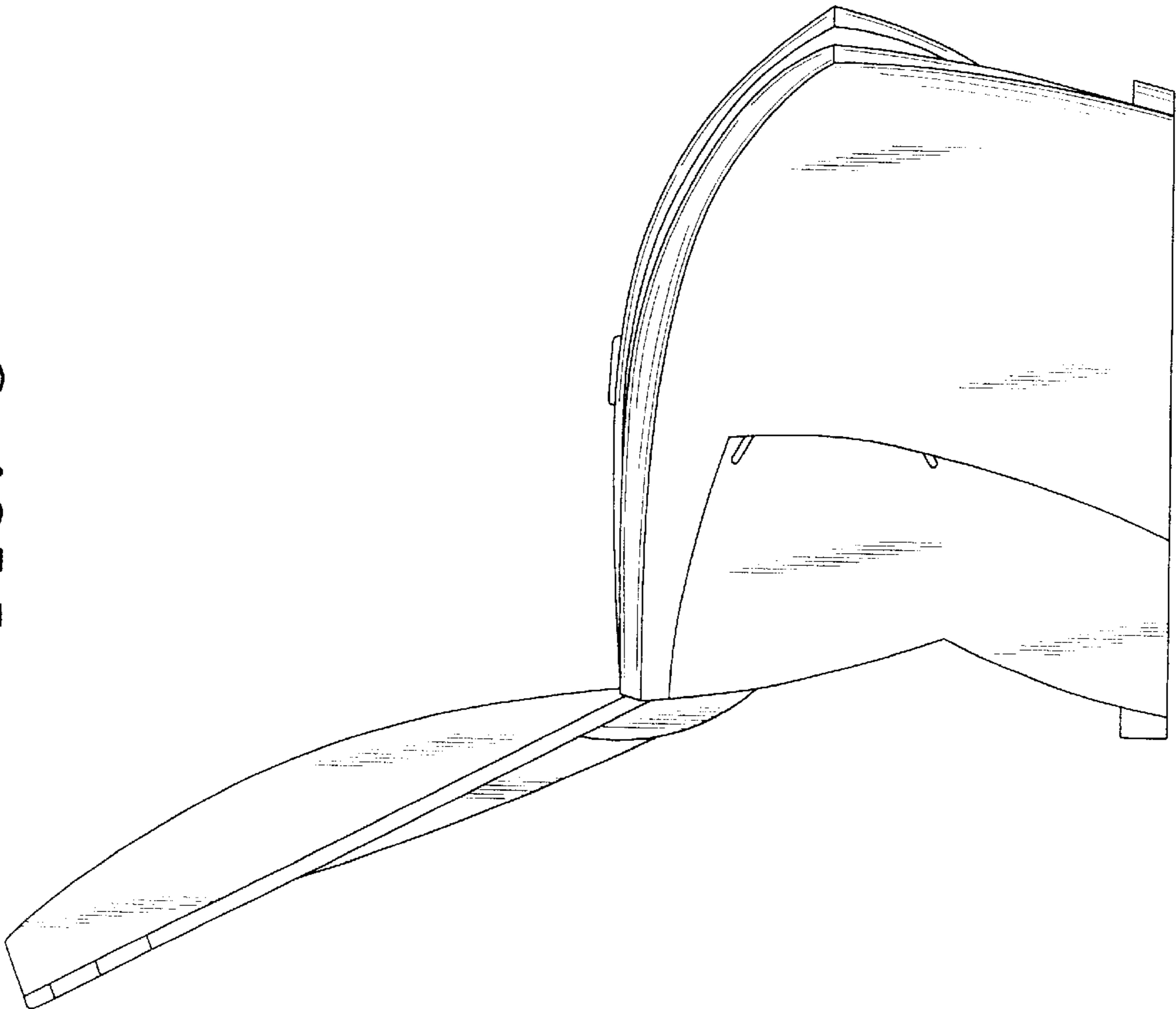
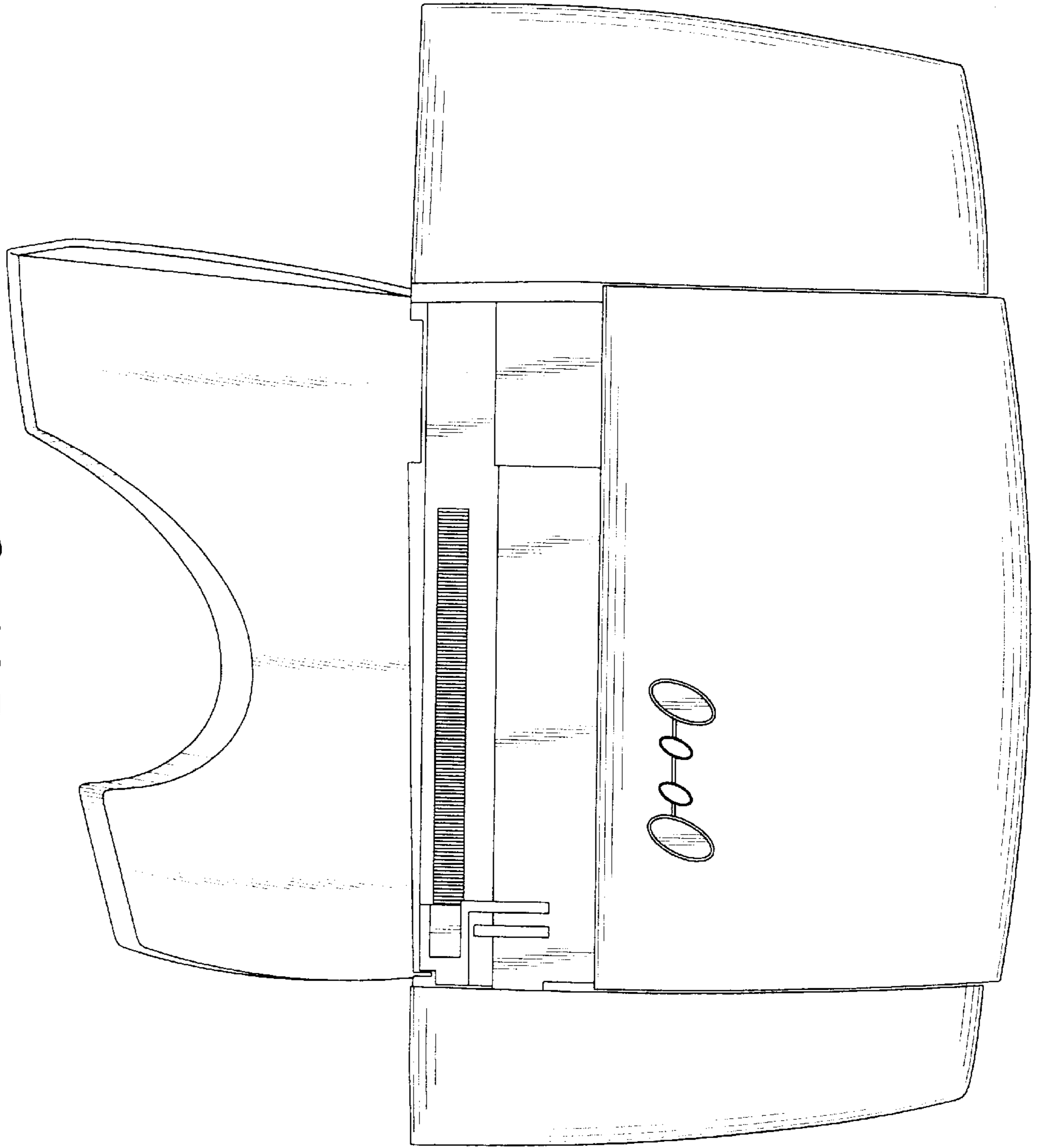


FIG. 5



*FIG. 6*

