



US00D432561S

United States Patent [19]

Shimamura et al.

[11] **Patent Number: Des. 432,561**

[45] **Date of Patent: ** Oct. 24, 2000**

[54] **INK RIBBON CASSETTE FOR PRINTER**

[75] Inventors: **Junichiro Shimamura**, Funabashi;
Yoshinobu Shiraiwa, Machida, both of
Japan

[73] Assignee: **Canon Kabushiki Kaisha**, Tokyo,
Japan

[**] Term: **14 Years**

[21] Appl. No.: **29/115,476**

[22] Filed: **Dec. 16, 1999**

[30] **Foreign Application Priority Data**

Jun. 29, 1999 [JP] Japan 11-17168

[51] **LOC (7) Cl.** **18-01**

[52] **U.S. Cl.** **D18/12**

[58] **Field of Search** D18/12, 40, 56;
400/207, 208, 234, 613, 246; D14/474,
475, 476

[56] **References Cited**

U.S. PATENT DOCUMENTS

D. 334,021 3/1993 Nagai et al. D18/12

D. 334,209 3/1993 Katsuno D18/56
D. 418,860 1/2000 Shimoyama et al. D18/12
5,352,048 10/1994 Mizoguchi et al. 400/208

Primary Examiner—Caron D. Veynar
Attorney, Agent, or Firm—Fitzpatrick, Cella, Harper &
Scinto

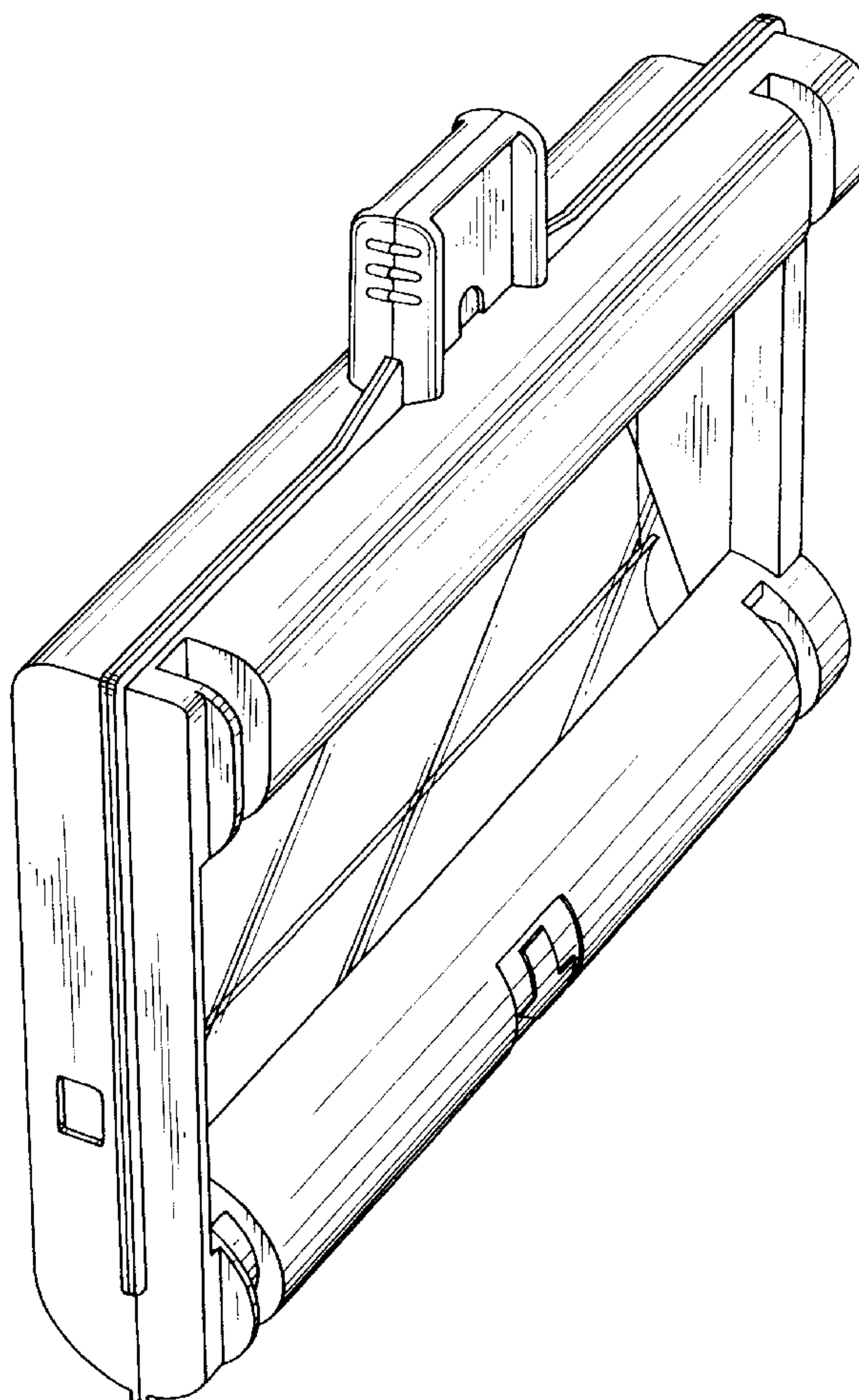
[57] **CLAIM**

The ornamental design for an ink ribbon cassette for printer,
as shown and described.

DESCRIPTION

FIG. 1 is a front view of an ink ribbon cassette for printer
showing our new design;
FIG. 2 is a rear view thereof;
FIG. 3 is a top plan view thereof;
FIG. 4 is a bottom plan view thereof;
FIG. 5 is a left side view thereof;
FIG. 6 is a right side view thereof; and,
FIG. 7 is a perspective view thereof.

1 Claim, 5 Drawing Sheets



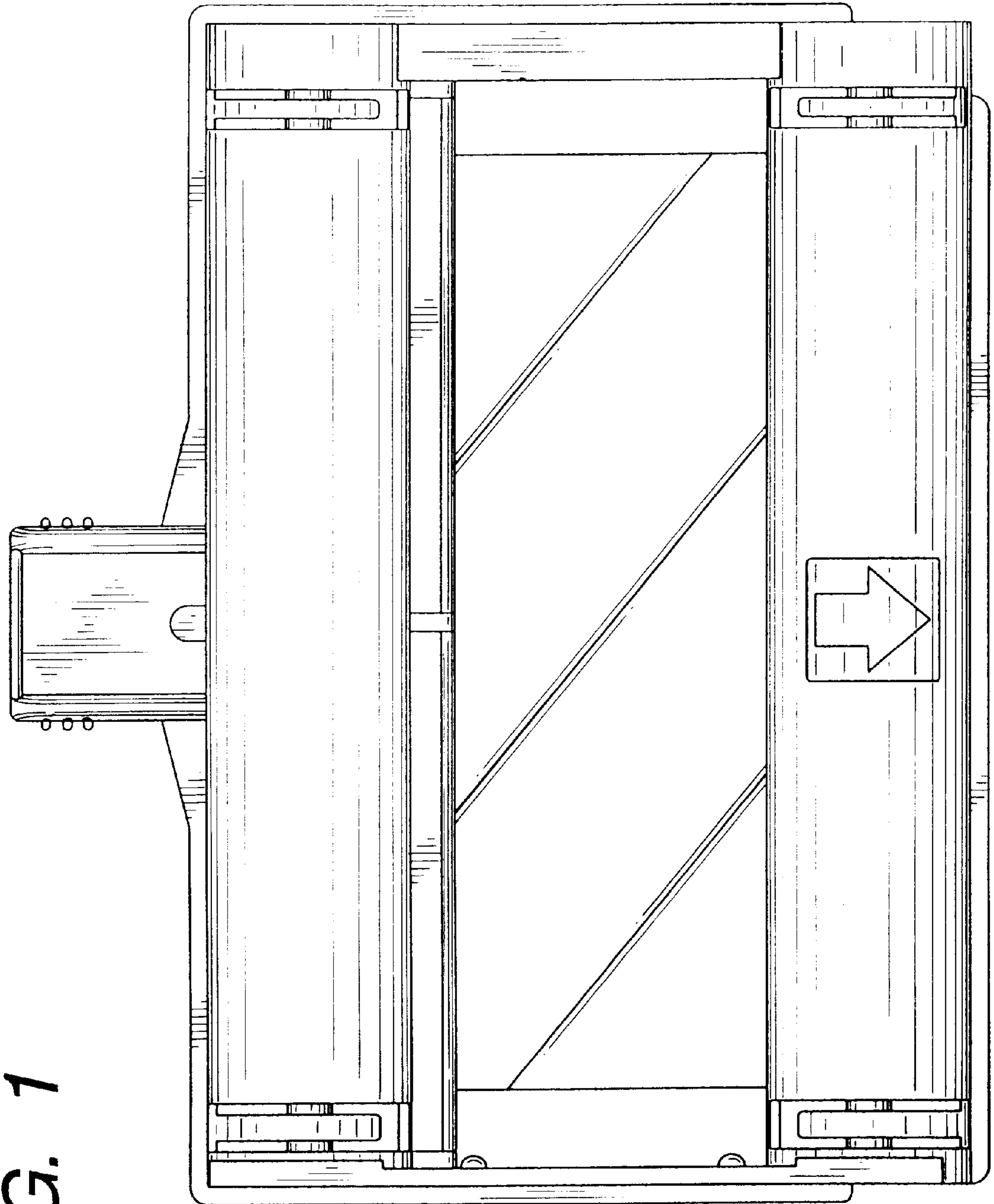


FIG. 1

FIG. 2



FIG. 3

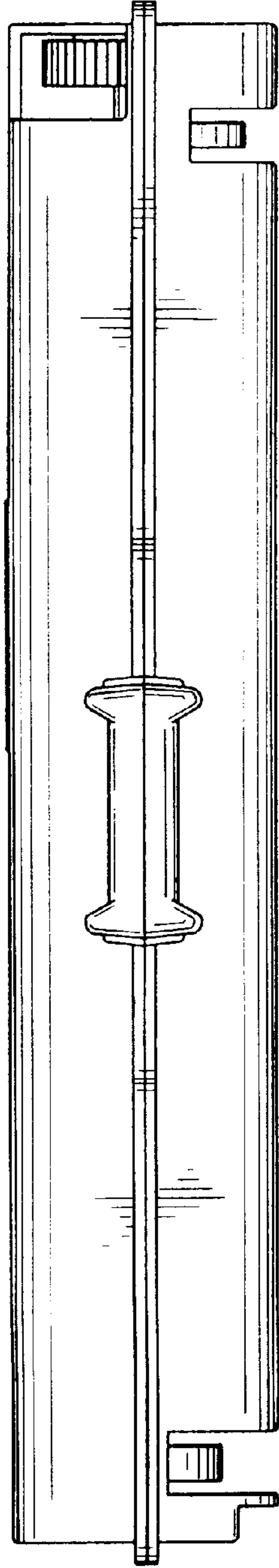


FIG. 4

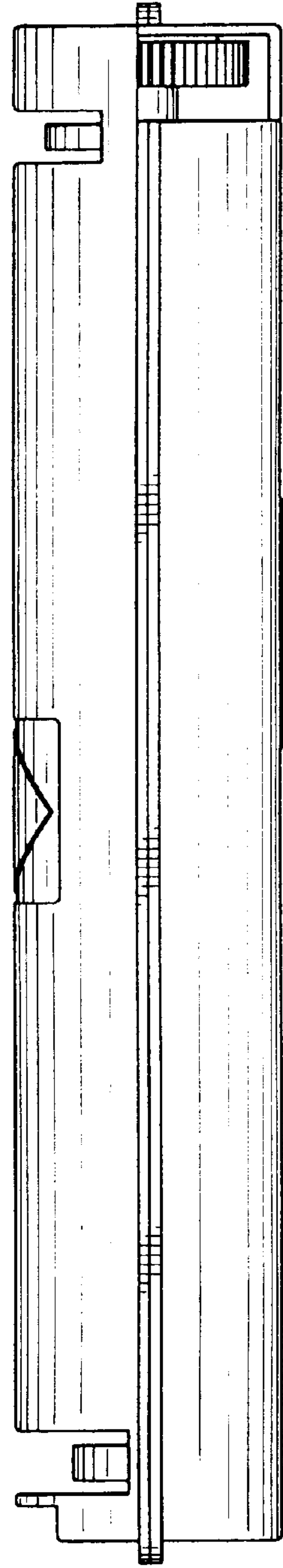


FIG. 5

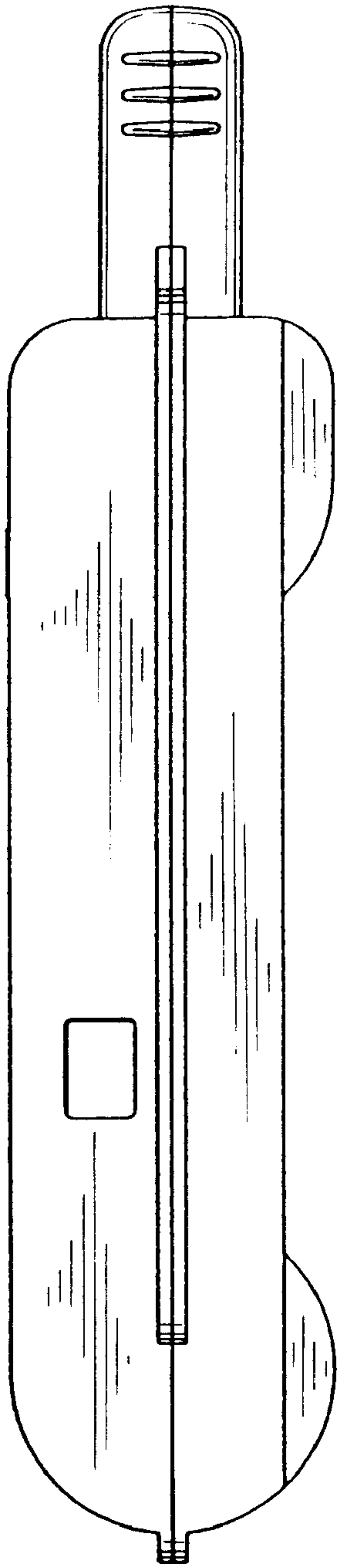


FIG. 6

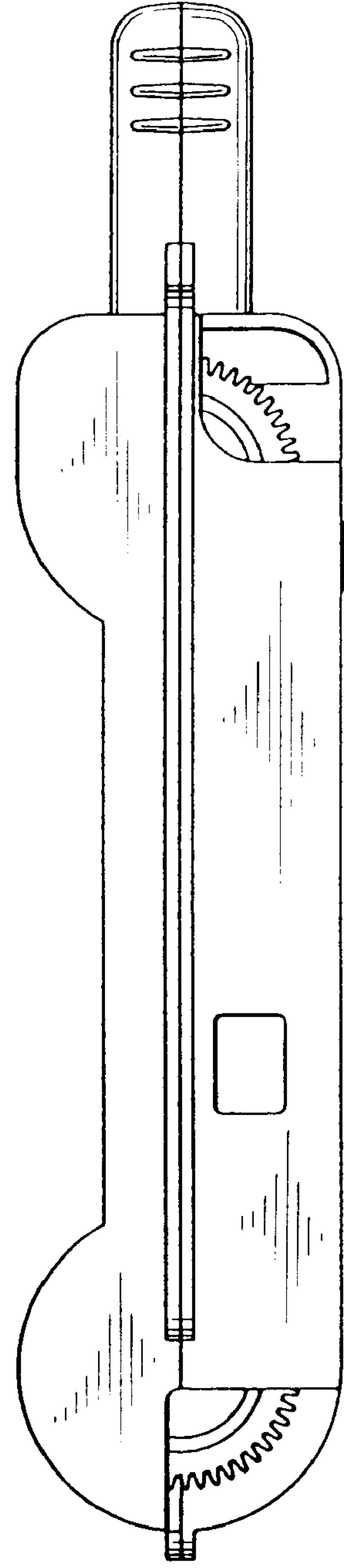


FIG. 7

