



US00D432558S

# United States Patent [19] Park

[11] **Patent Number: Des. 432,558**

[45] **Date of Patent: \*\* Oct. 24, 2000**

[54] **EYEWEAR HINGE FOR TWO LENSES**

[75] Inventor: **Yong Jin Park**, Daegu, Rep. of Korea

[73] Assignee: **Sae Myung Industrial Co.**, Rep. of Korea

[\*\*] Term: **14 Years**

[21] Appl. No.: **29/107,508**

[22] Filed: **Jul. 7, 1999**

[30] **Foreign Application Priority Data**

Apr. 21, 1999 [KR] Rep. of Korea ..... 99-8334

[51] **LOC (7) Cl.** ..... **16-06**

[52] **U.S. Cl.** ..... **D16/334; D16/304; D16/330**

[58] **Field of Search** ..... D16/300, 304,  
D16/305, 306, 309, 330, 334-336, 900;  
351/41, 44, 47, 48, 51, 52, 57-59, 111,  
153, 158

[56] **References Cited**

**U.S. PATENT DOCUMENTS**

D. 393,652 4/1998 Wang ..... D16/304  
D. 413,616 9/1999 Wang ..... D16/900

2,986,970 6/1961 Kilgour ..... 351/59  
3,434,780 3/1969 Bolden ..... 351/59  
3,533,687 10/1970 Herzig ..... D16/334  
5,589,895 12/1996 Mizuno ..... 351/153  
5,739,892 4/1998 Kobayashi ..... 351/153

*Primary Examiner*—Raphael Barkai  
*Attorney, Agent, or Firm*—Herold and Haines, P.A.; Brian L. Wamsley, Esq.

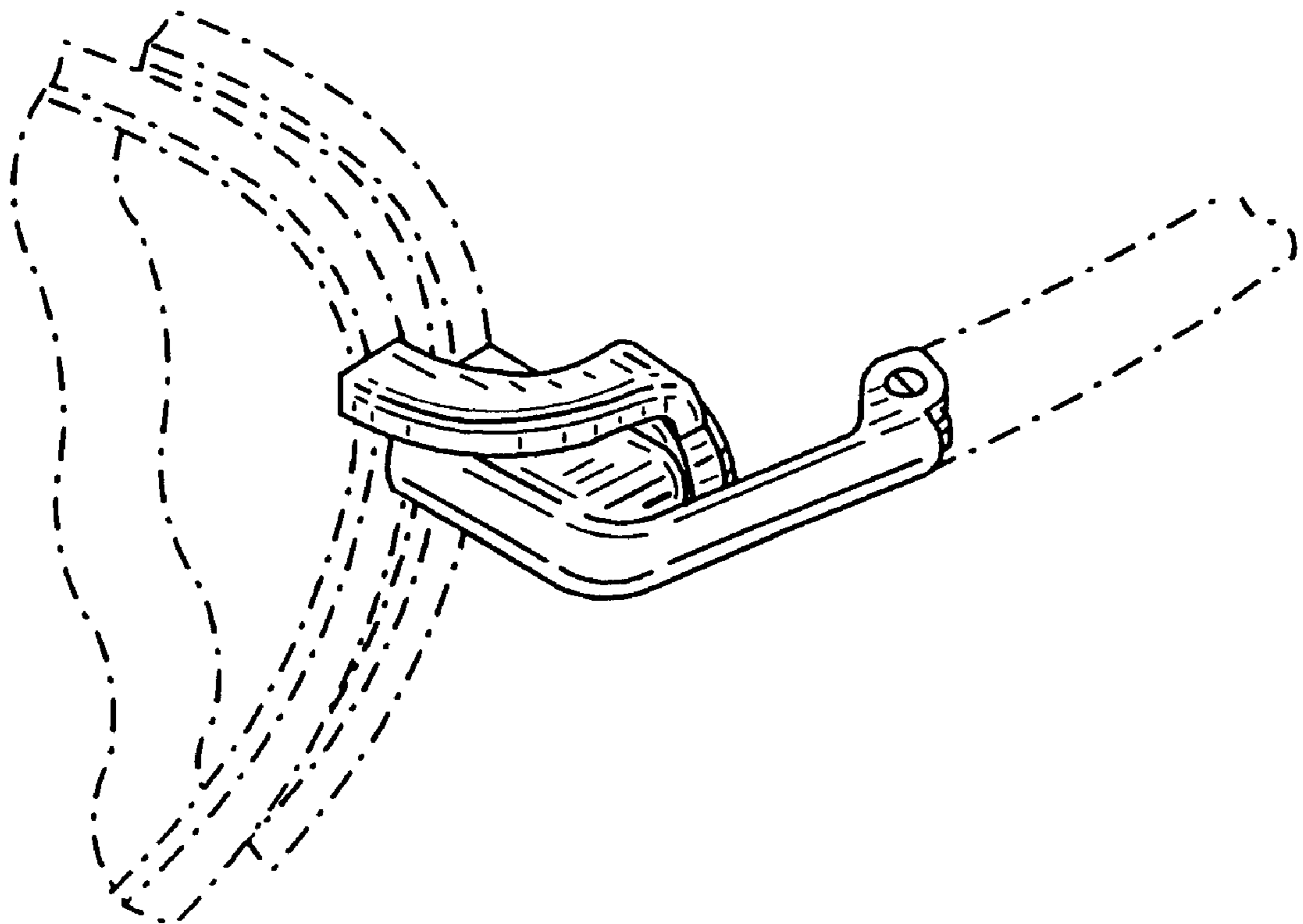
[57] **CLAIM**

The ornamental design for eyewear hinge for two lenses, as shown and described.

**DESCRIPTION**

FIG. 1 is a perspective view of a device for eyewear hinge for two lenses;  
FIG. 2 is a front view thereof;  
FIG. 3 is a rear view thereof;  
FIG. 4 is a cut-away side view thereof;  
FIG. 5 is a side view thereof;  
FIG. 6 is a top view thereof; and,  
FIG. 7 is a bottom view thereof.  
The broken lines shown in FIGS. 1-7 are for illustrative purposes only and form no part of the claimed design.

**1 Claim, 2 Drawing Sheets**



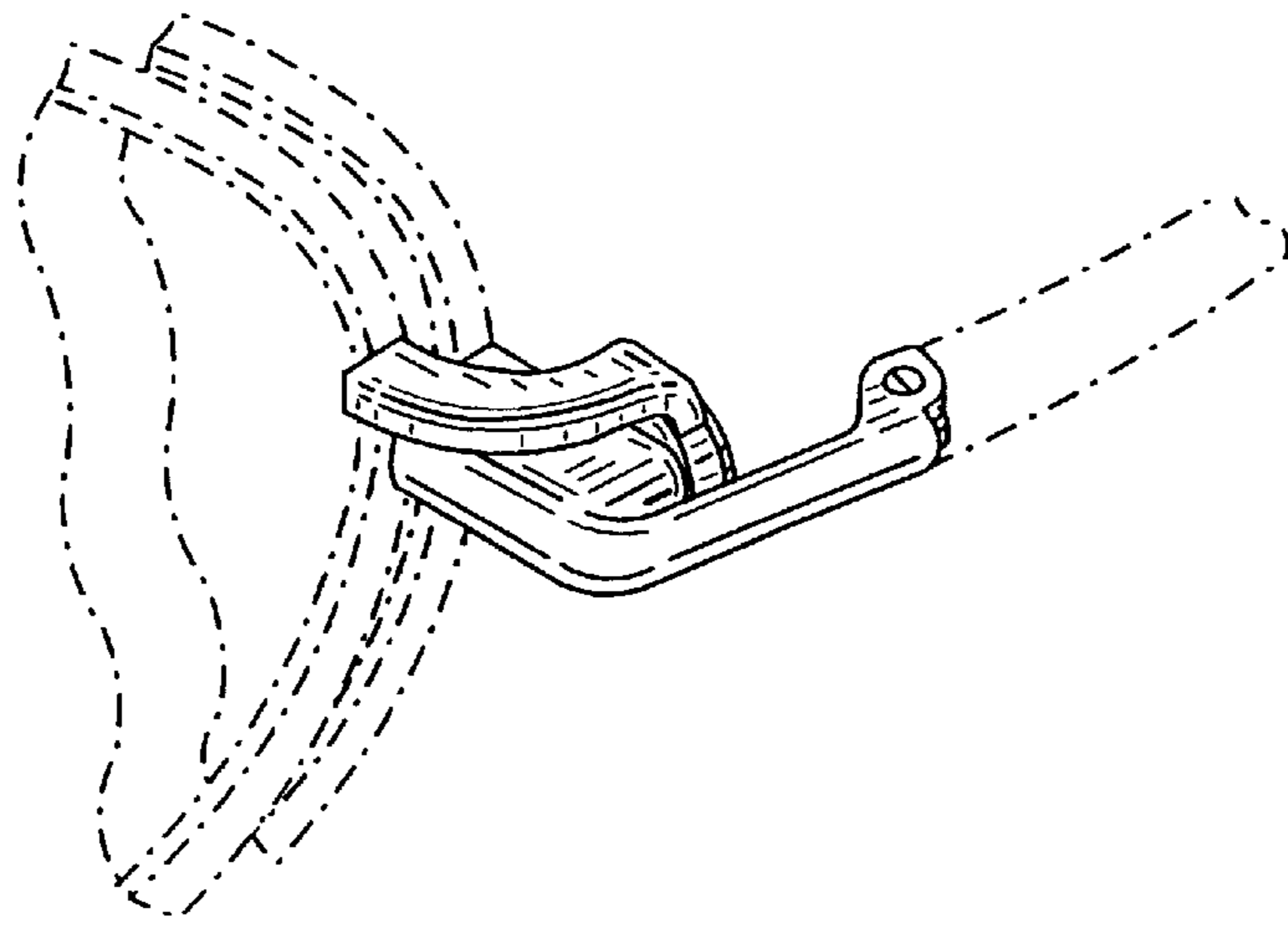


FIG. 1

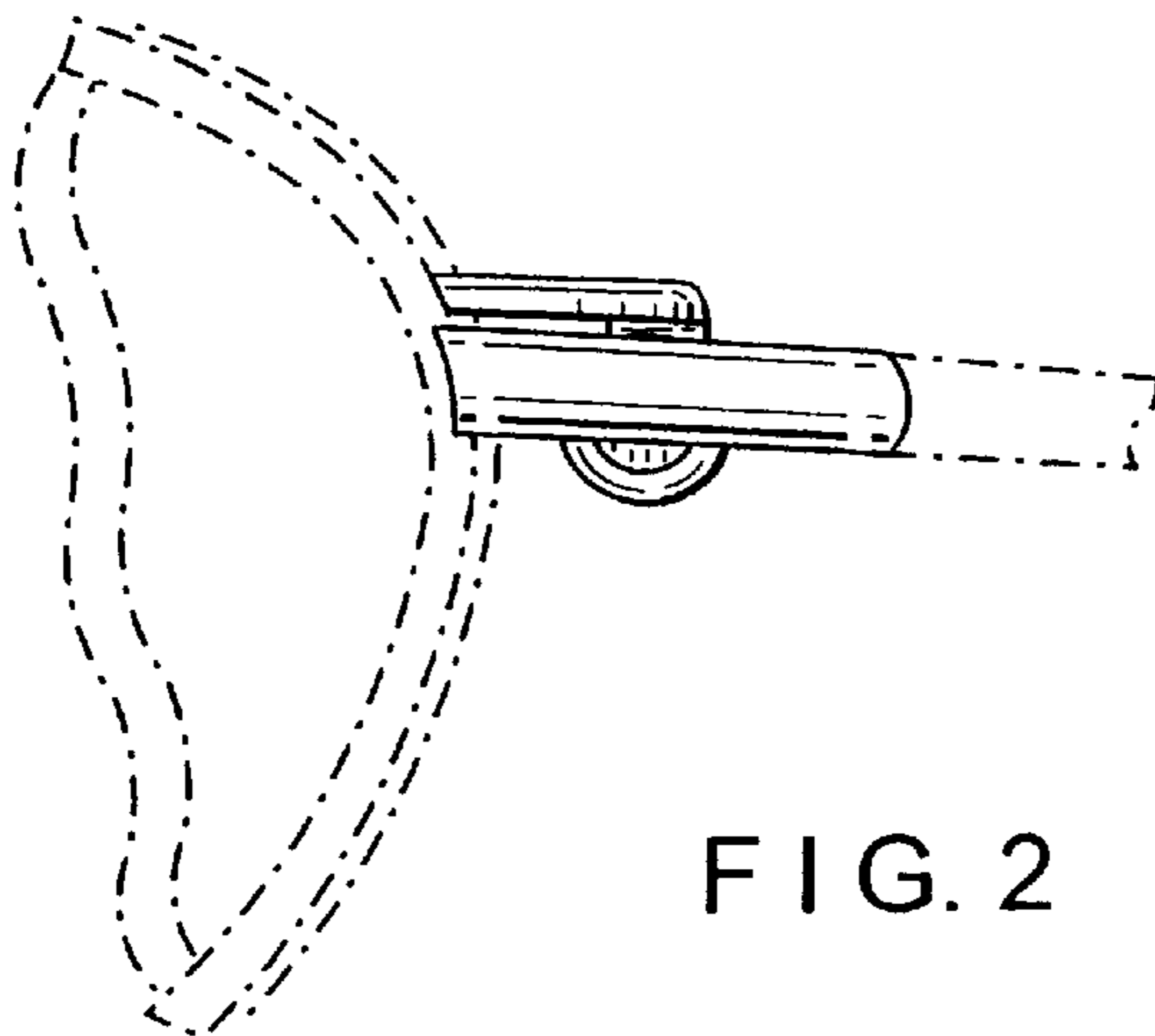


FIG. 2

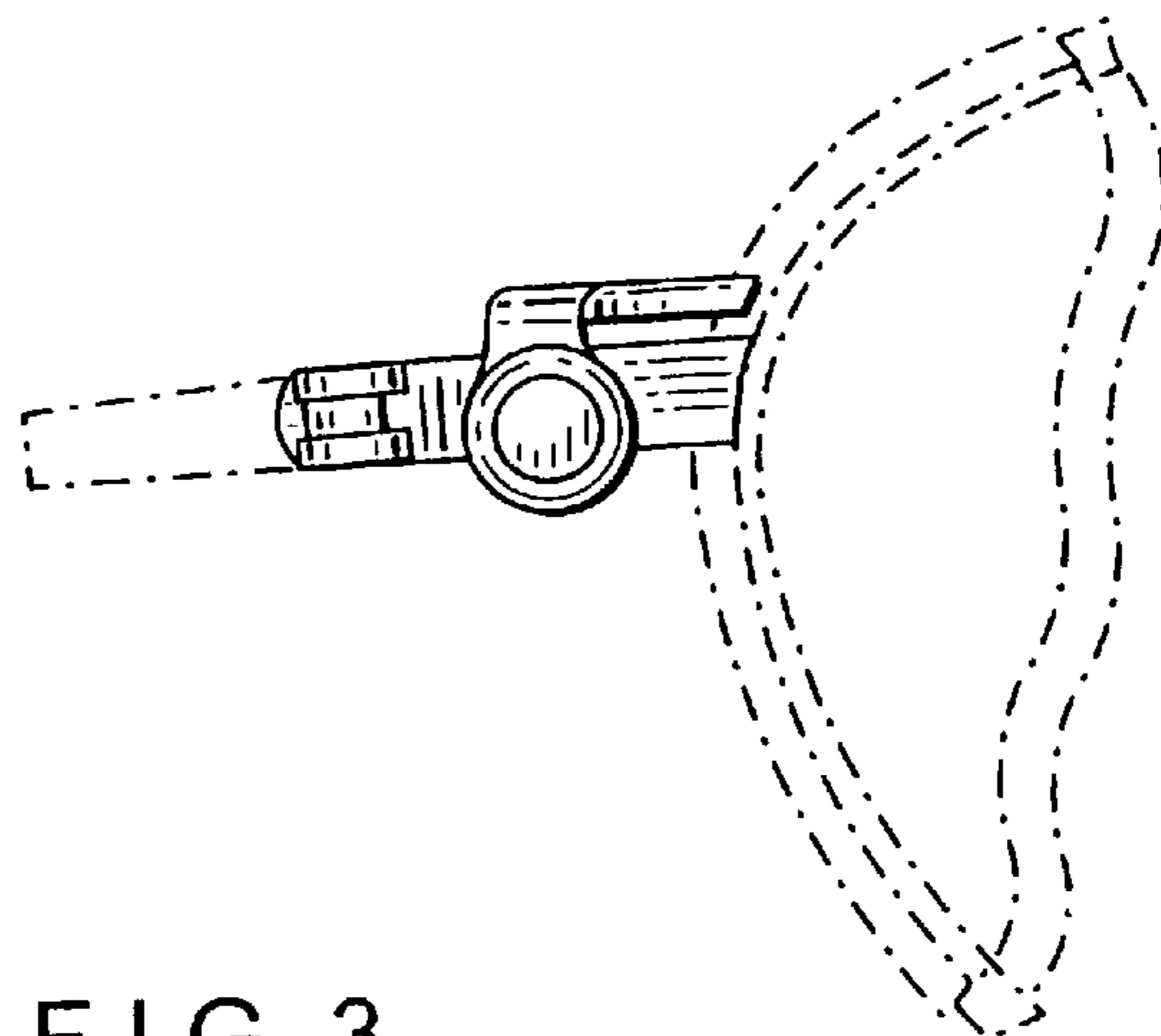


FIG. 3

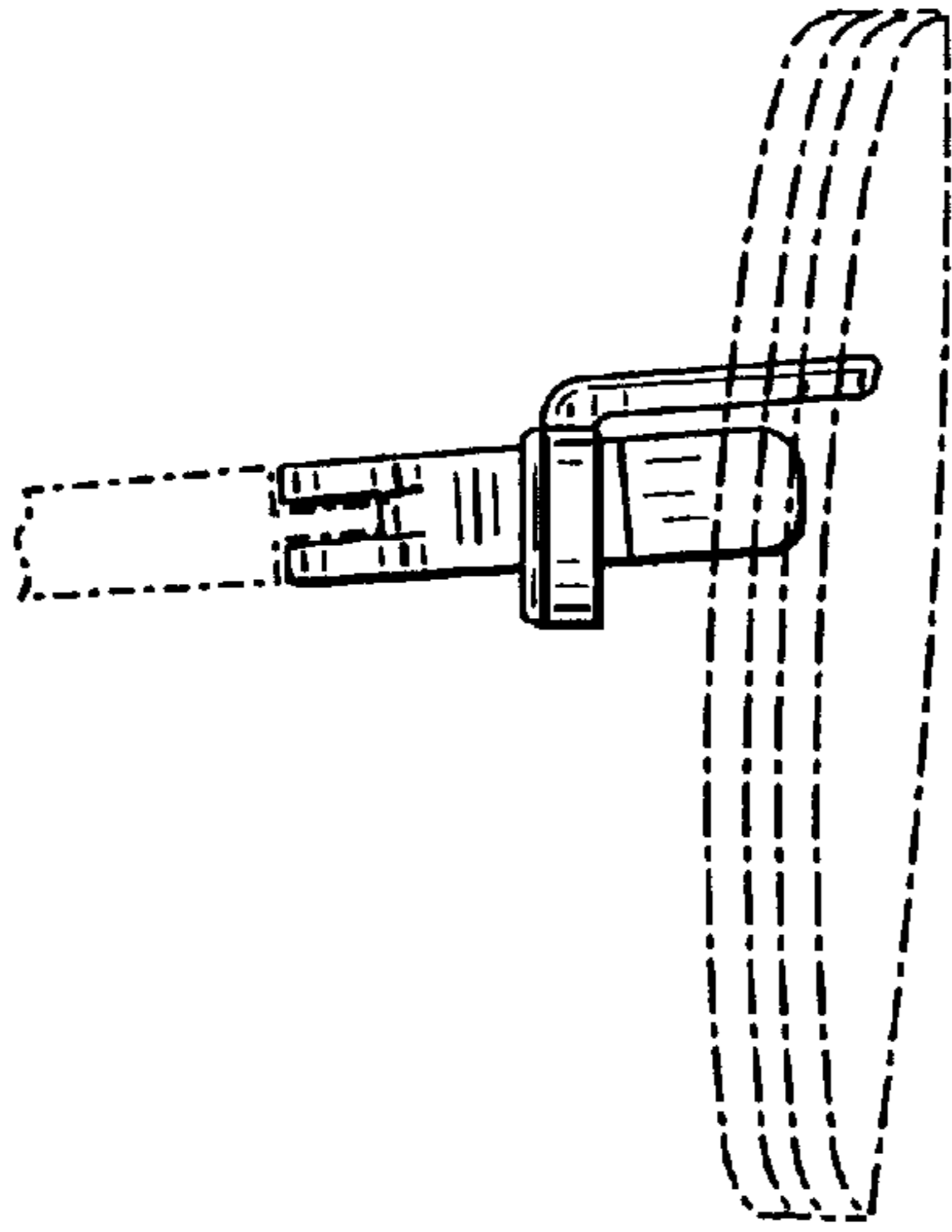


FIG. 4

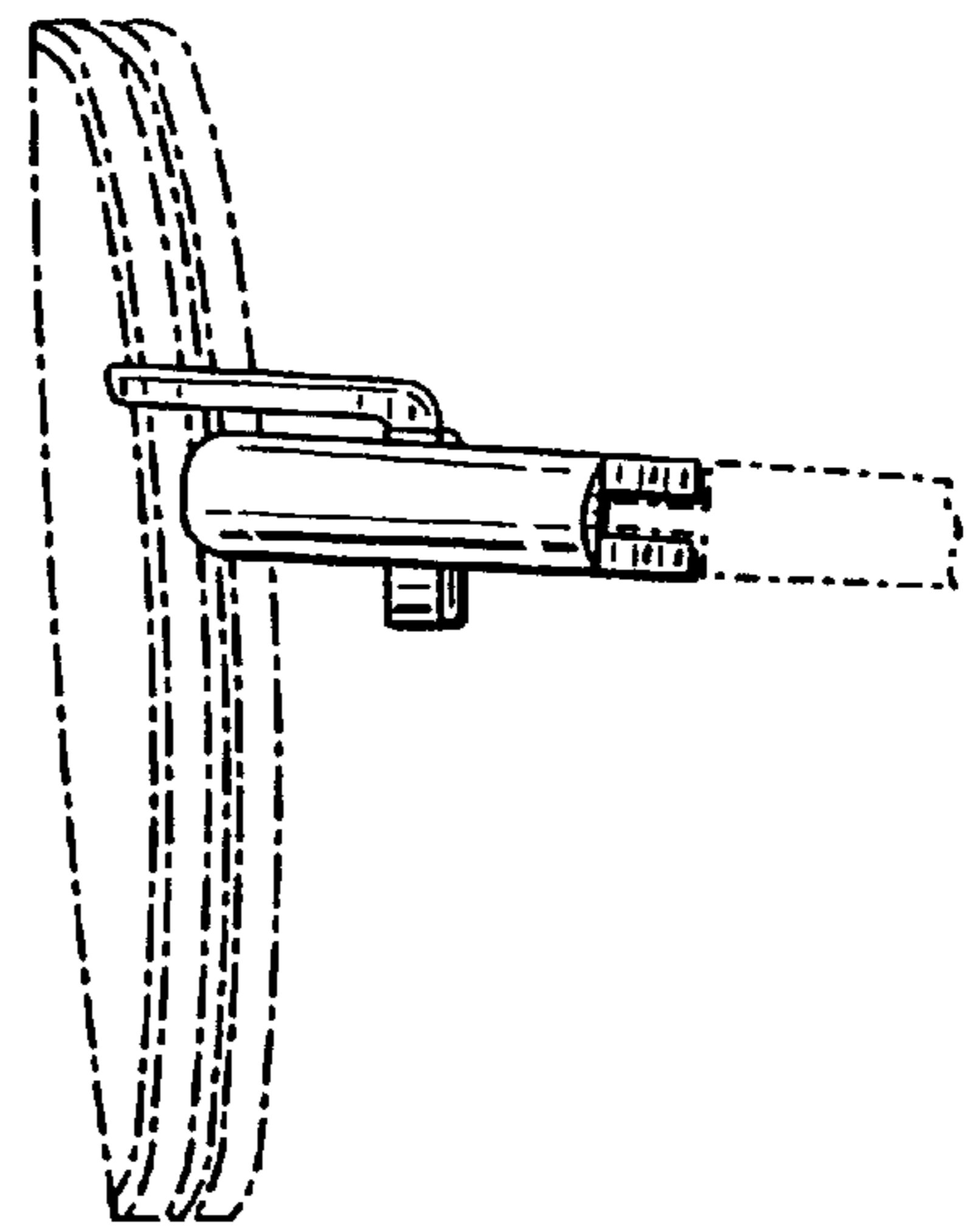


FIG. 5

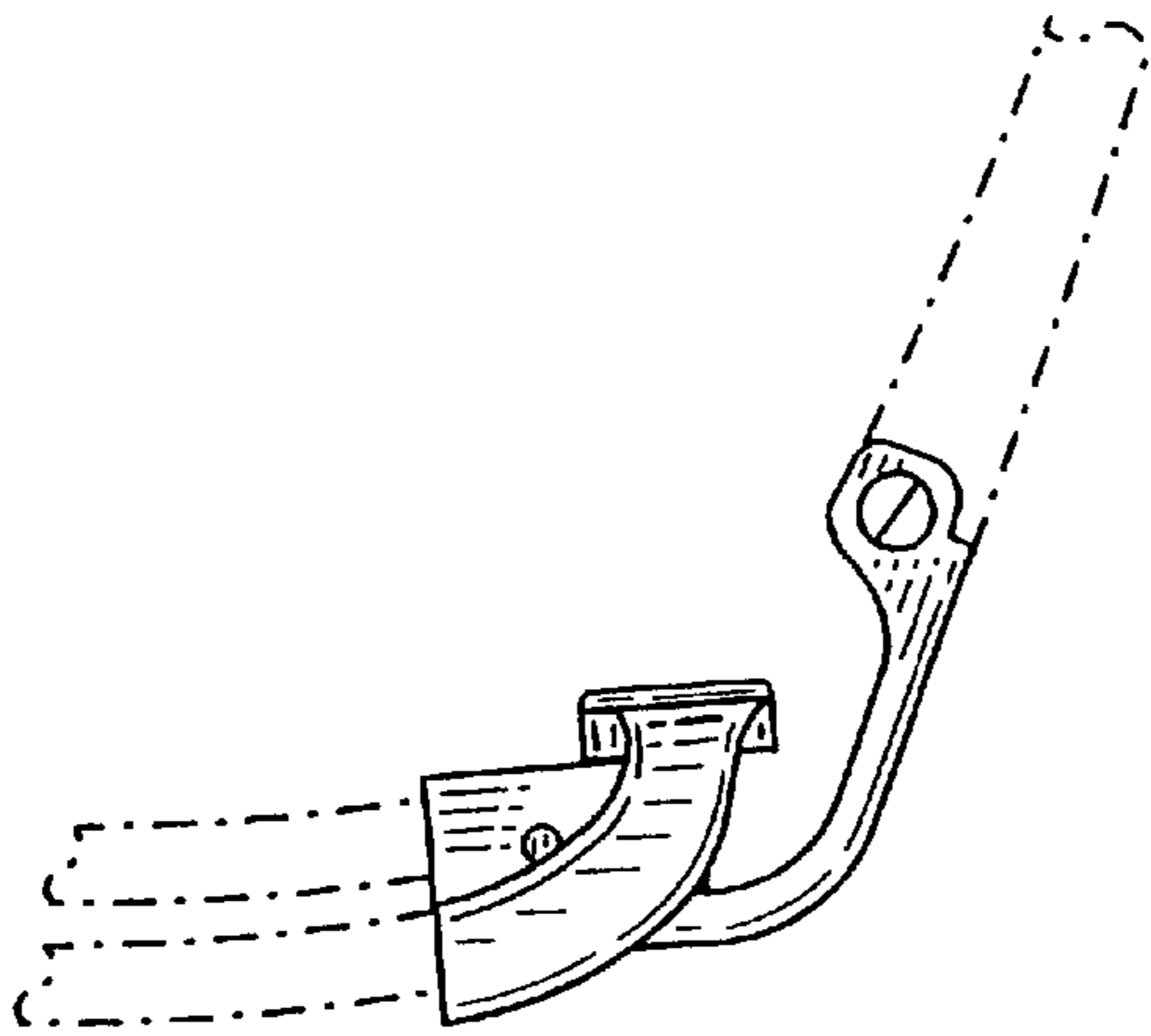


FIG. 6

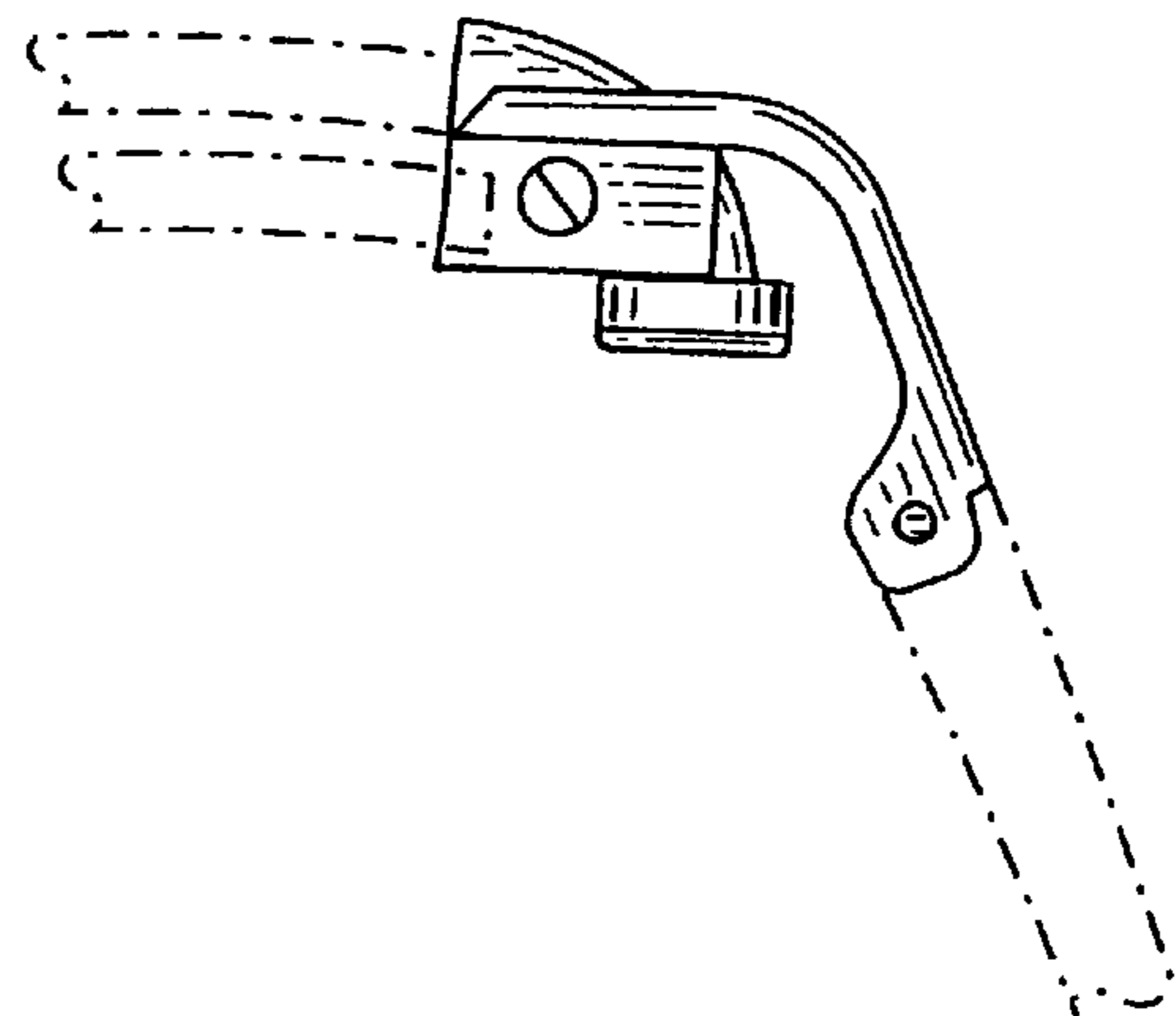


FIG. 7