

US00D432554S

# United States Patent [19] Matsumura

[11] Patent Number: **Des. 432,554**

[45] Date of Patent: **\*\* Oct. 24, 2000**

[54] CAMERA

[75] Inventor: **Yoshiyuki Matsumura**, Yokosuka, Japan

[73] Assignee: **Canon Kabushiki Kaisha**, Tokyo, Japan

[\*\*] Term: **14 Years**

[21] Appl. No.: **29/116,238**

[22] Filed: **Dec. 30, 1999**

[30] **Foreign Application Priority Data**

Jul. 15, 1999 [JP] Japan ..... 11-19002

[51] LOC (7) Cl. .... **16-01**

[52] U.S. Cl. .... **D16/218**

[58] Field of Search ..... D16/200-205, D16/208, 209, 211, 212, 217, 218; 396/535-541

[56] **References Cited**

**U.S. PATENT DOCUMENTS**

D. 394,076 5/1998 Matsumura et al. .... D16/209

D. 395,665	6/1998	Matsumura et al. ....	D16/209
D. 409,215	5/1999	Nihei et al. ....	D16/209
D. 415,185	10/1999	Matsuda ....	D16/218
D. 415,508	10/1999	Shinano ....	D16/202
D. 415,779	10/1999	Matsushita ....	D16/218
5,258,793	11/1993	Tsuji et al. ....	396/536
5,640,628	6/1997	Yoshida ....	396/535

*Primary Examiner*—Adir Aronovich  
*Attorney, Agent, or Firm*—Fitzpatrick, Cella, Harper & Scinto

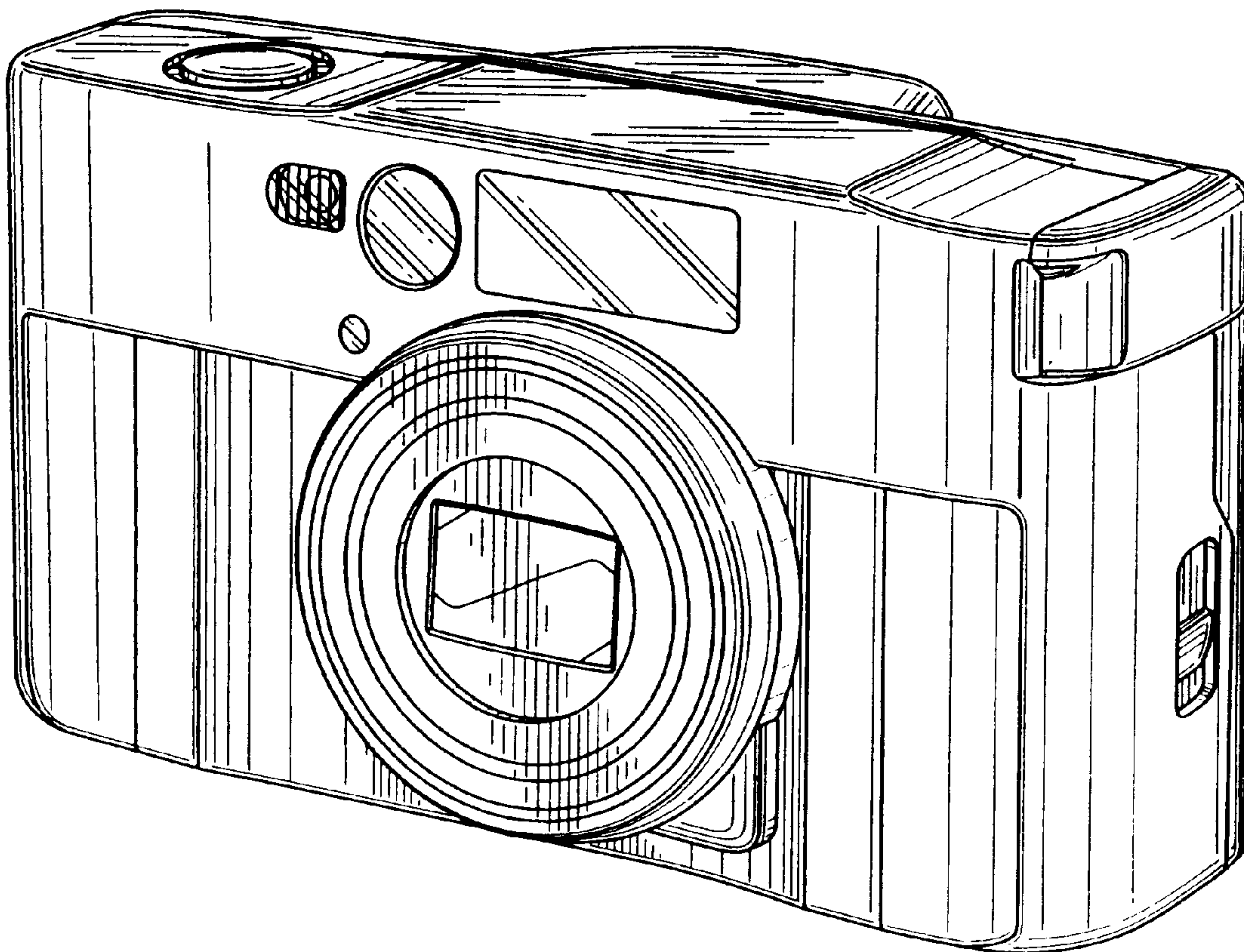
[57] **CLAIM**

The ornamental design for a camera, as shown and described.

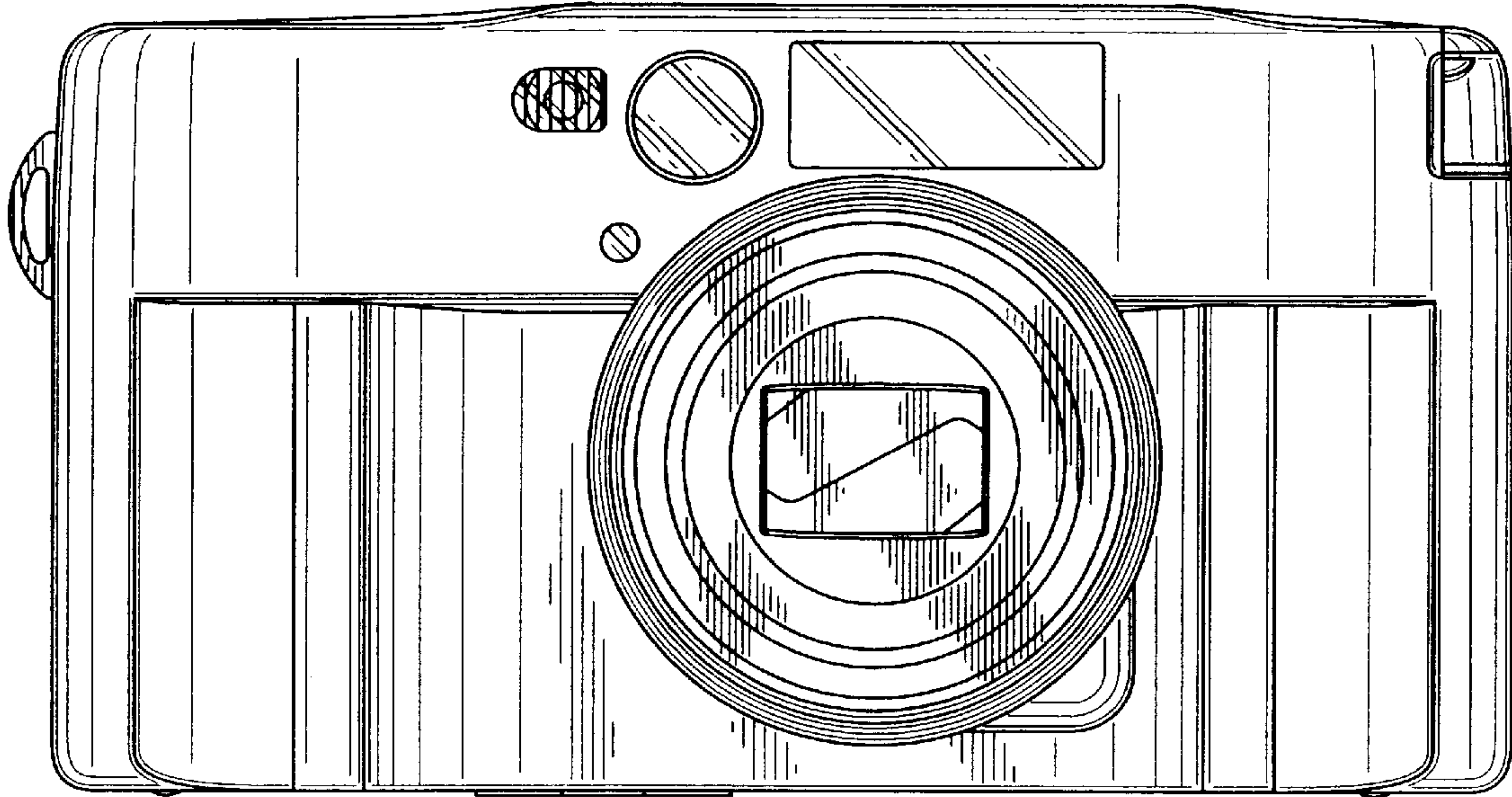
**DESCRIPTION**

FIG. 1 is a front view of a camera showing my new design; FIG. 2 is a rear view thereof; FIG. 3 is a top plan view thereof; FIG. 4 is a bottom plan view thereof; FIG. 5 is a left side view thereof; FIG. 6 is a right side view thereof; and, FIG. 7 is a perspective view thereof.

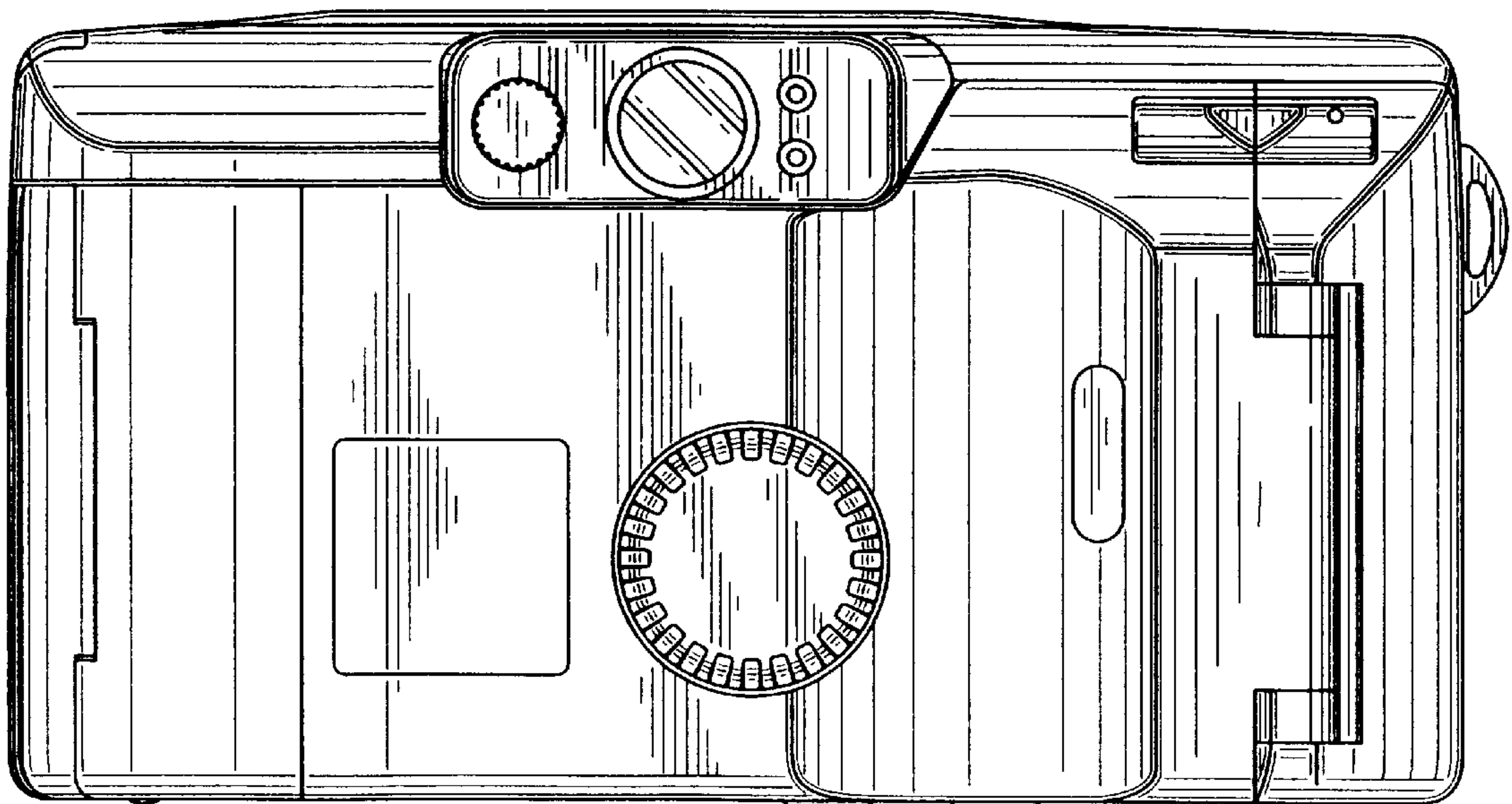
**1 Claim, 3 Drawing Sheets**



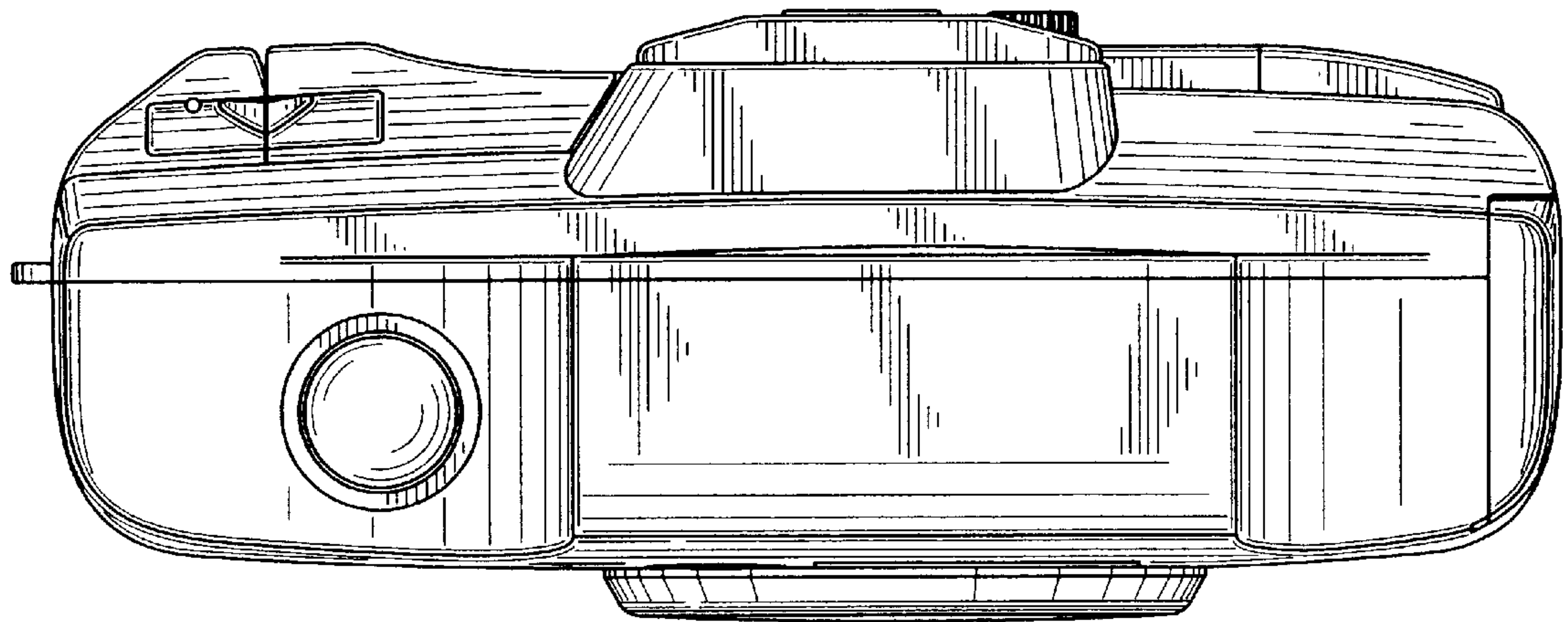
*FIG. 1*



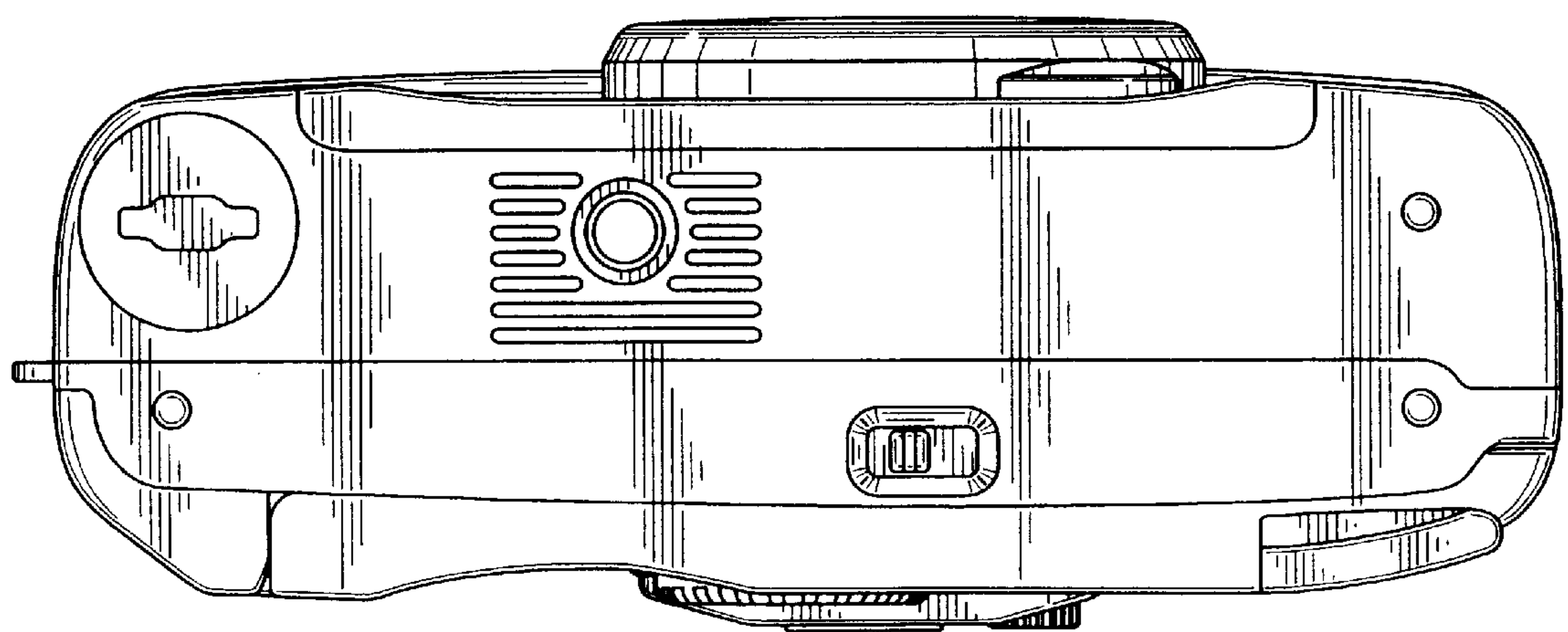
*FIG. 2*



*FIG. 3*

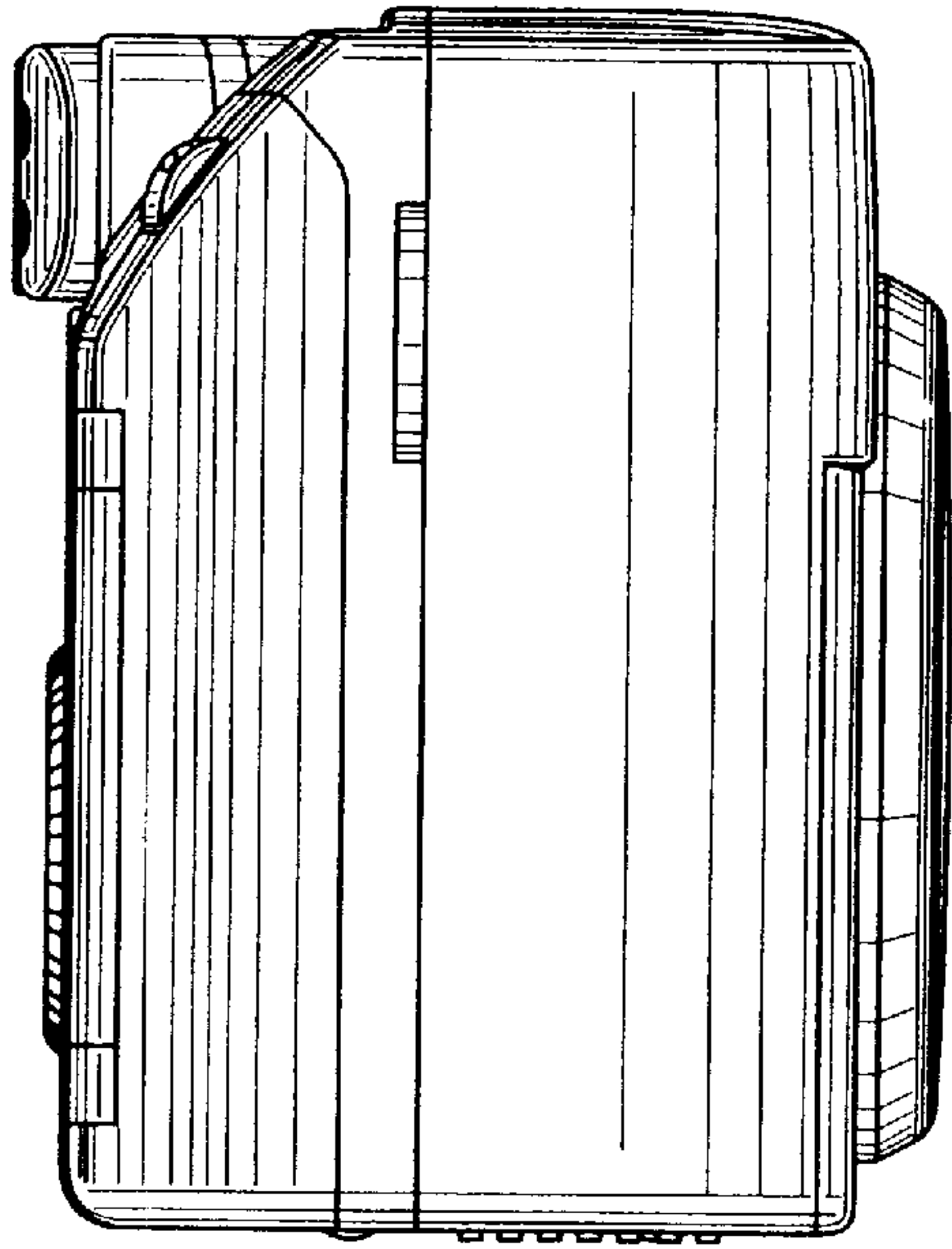


*FIG. 4*

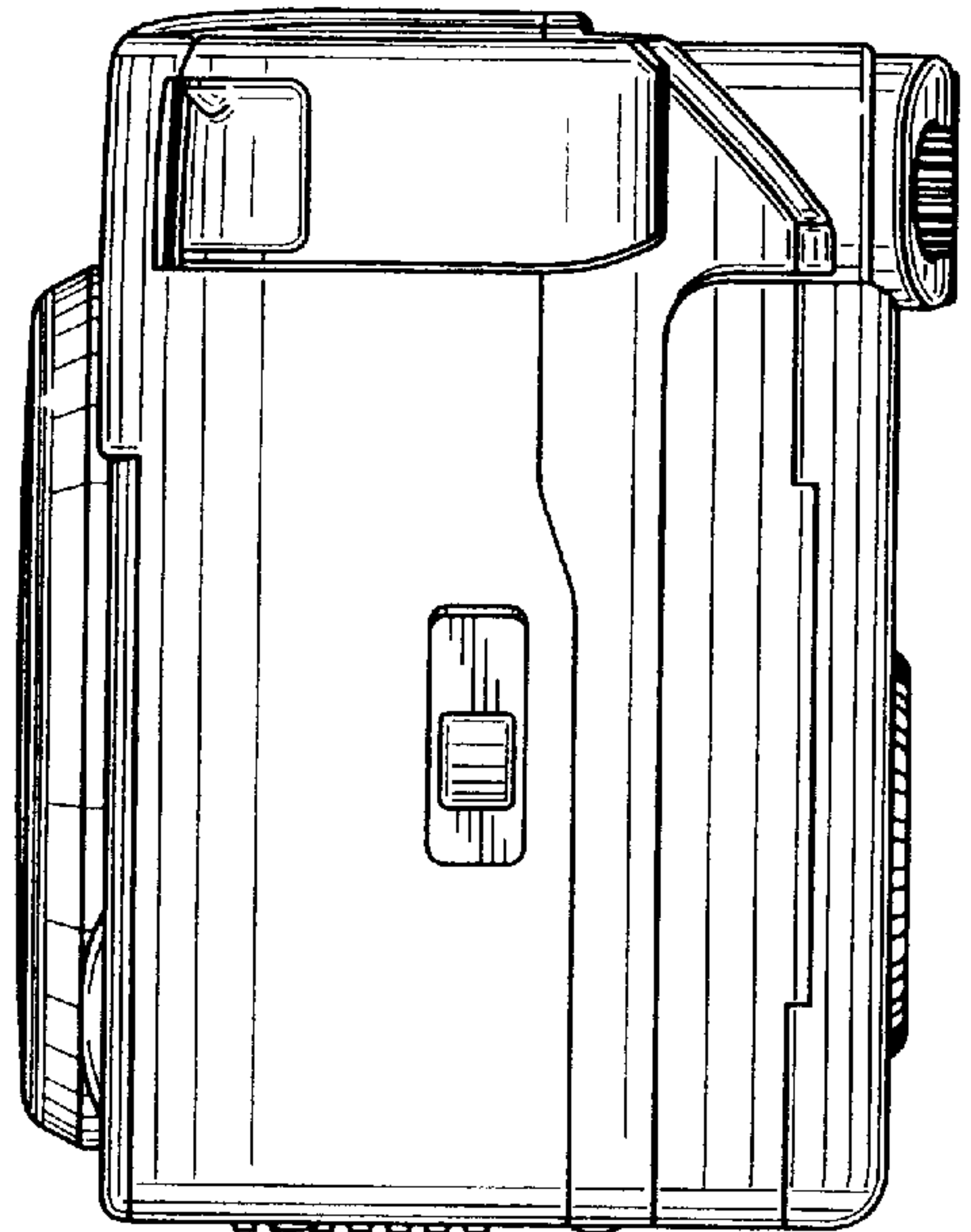




*FIG. 5*



*FIG. 6*



*FIG. 7*

