

US00D432553S

United States Patent [19]
Matsushita

[11] **Patent Number: Des. 432,553**

[45] **Date of Patent: ** Oct. 24, 2000**

[54] **FOCUSING WHEEL FOR BINOCULARS**

5,074,652 12/1991 Addy 359/414
5,583,692 12/1996 Funatsu 359/407 X

[75] Inventor: **Takeshi Matsushita**, Tokyo, Japan

OTHER PUBLICATIONS

[73] Assignee: **Asahi Kogaku Kogyo Kabushiki Kaisha**, Tokyo, Japan

Feb. '98 Japan Camera Show, p. 36 of Catalogue vol. 114.

[**] Term: **14 Years**

Primary Examiner—Paula A. Mortimer
Attorney, Agent, or Firm—Sughrue, Mion, Zinn, Macpeak & Seas, PLLC

[21] Appl. No.: **29/116,740**

[22] Filed: **Jan. 11, 2000**

[57] **CLAIM**

[30] **Foreign Application Priority Data**

The ornamental design for a focusing wheel for binoculars, as shown and described.

Jul. 12, 1999 [JP] Japan 11-18559

DESCRIPTION

[51] **LOC (7) Cl.** **16-06**

FIG. 1 is a perspective view of a focusing wheel for binoculars showing my new design;
FIG. 2 is a front elevational view of the binoculars;
FIG. 3 is a right side elevational view thereof;
FIG. 4 is a top plan view of the focusing wheel for binoculars;
FIG. 5 is a left side elevational view thereof;
FIG. 6 is a rear elevational view thereof; and,
FIG. 7 is a bottom plan view thereof.

[52] **U.S. Cl.** **D16/133**

[58] **Field of Search** D16/130, 133,
D16/136; D22/108, 109; 359/407, 408,
409, 414, 415, 416, 417, 418, 419, 420,
413

[56] **References Cited**

U.S. PATENT DOCUMENTS

- D. 306,606 3/1990 Yamanaka et al. D16/133
- D. 387,077 12/1997 Lee D16/133
- D. 387,785 12/1997 Matsushita .
- D. 392,986 3/1998 Katou D16/133
- D. 394,666 5/1998 Ono D16/133
- D. 418,850 1/2000 Lee D16/133
- D. 423,537 4/2000 Lee D16/133
- 4,329,013 5/1982 Hengst 359/418

The components of the binoculars shown in broken lines are for illustrative purposes only and form no part of the claimed design.

The surface(s) or portion(s) of the article not shown in the drawing or described in the specification form(s) no part of the claimed design.

1 Claim, 3 Drawing Sheets

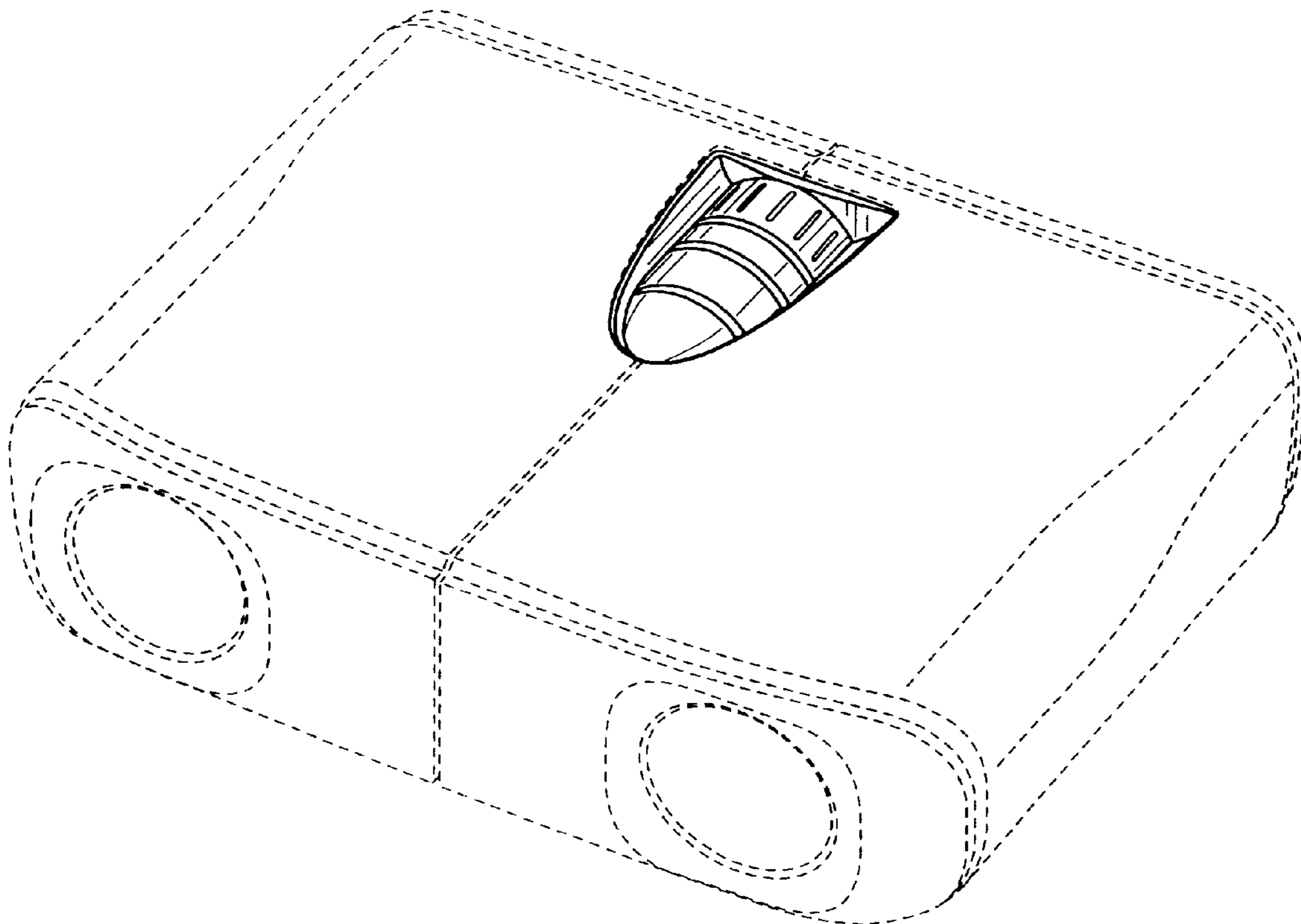


FIG. 1

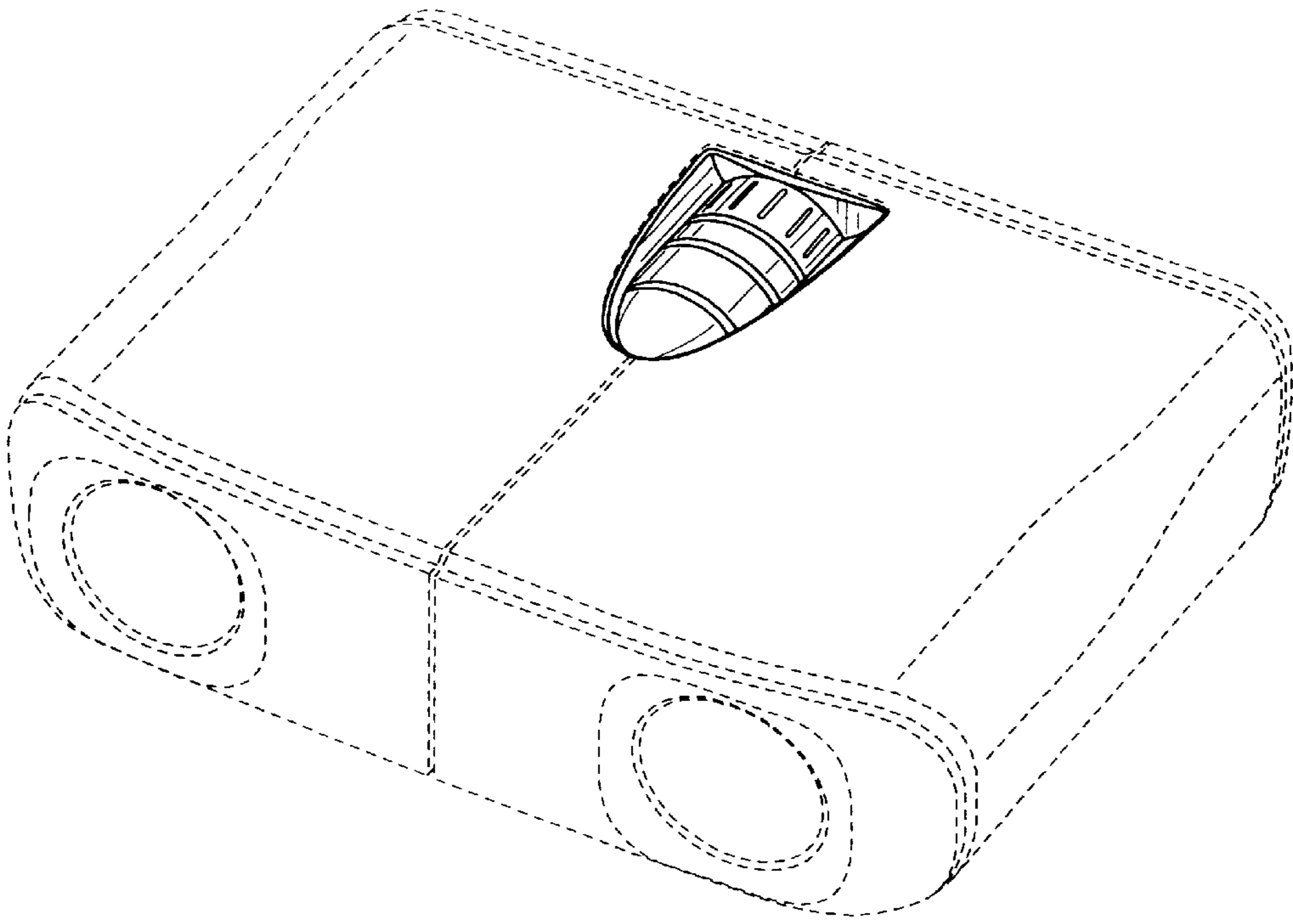


FIG. 2

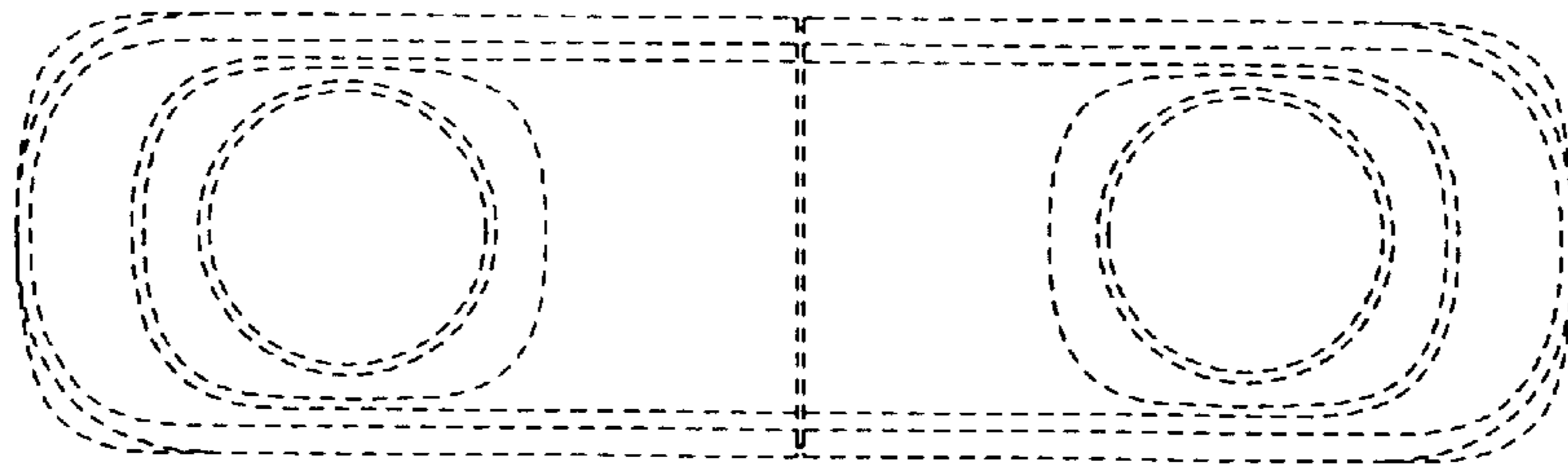


FIG. 3

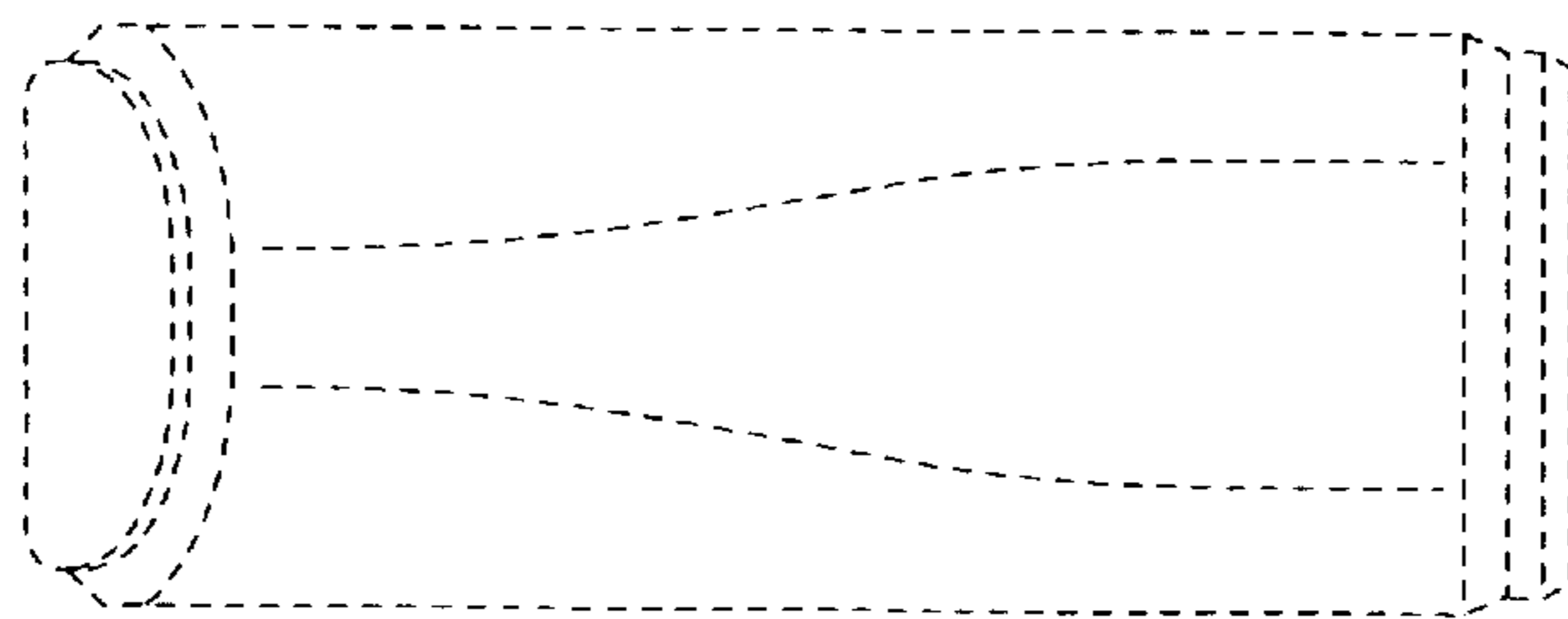


FIG. 4

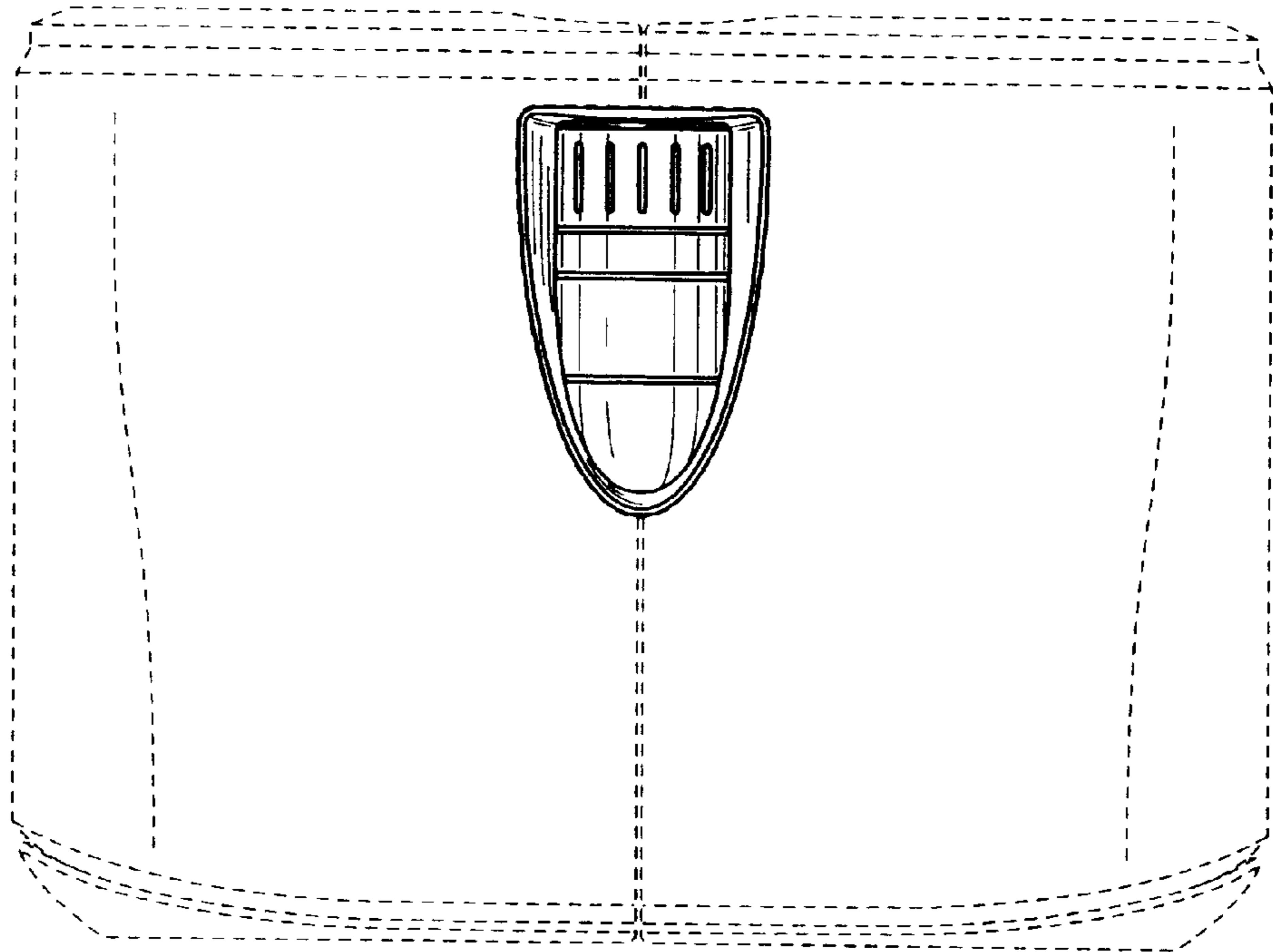


FIG. 5

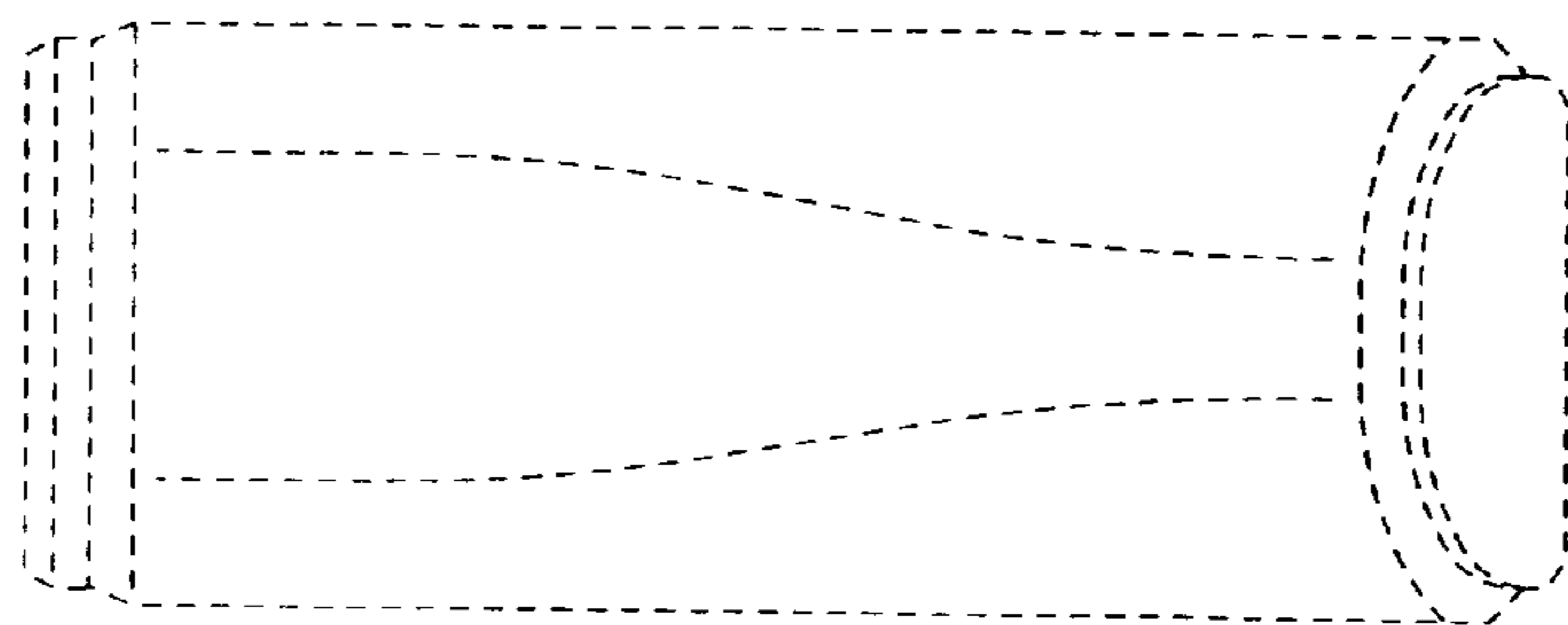


FIG. 6

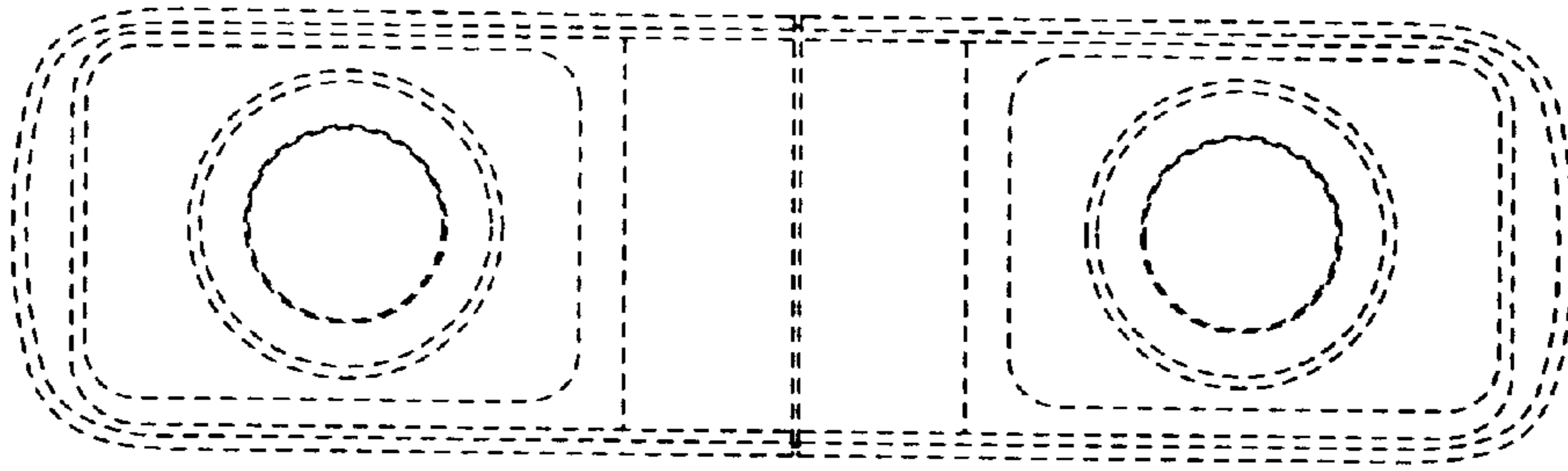


FIG. 7

