



US00D432550S

# United States Patent [19]

[11] **Patent Number: Des. 432,550**

**Jobst**

[45] **Date of Patent: \*\* Oct. 24, 2000**

[54] **COOLER**

### OTHER PUBLICATIONS

[75] Inventor: **Karl F. Jobst**, Spartanburg, S.C.

Beverage-Air Curve dated May 12, 1997  
Beverage-Air Stylized Curve dated May 12, 1997.  
Beverage-Air Flat dated May 12, 1997.

[73] Assignee: **Specialty Equipment Companies, Inc.**,  
Aurora, Ill.

*Primary Examiner*—B. J. Bullock  
*Attorney, Agent, or Firm*—Dority & Manning, P.A.

[\*\*] Term: **14 Years**

### [57] CLAIM

[21] Appl. No.: **29/104,000**

The ornamental design for a cooler, substantially as shown and described.

[22] Filed: **Apr. 26, 1999**

[51] **LOC (7) Cl.** ..... **15-07**

### DESCRIPTION

[52] **U.S. Cl.** ..... **D15/83**

[58] **Field of Search** ..... D15/79-89, 90,  
D15/91; 312/116, 138.1, 401, 402, 404,  
405, 405.1; 62/246, 251, 248, 449, 440,  
441; 362/92; D26/57, 58

FIG. 1 is a perspective view of a cooler embodying the design of the present invention.

FIG. 2 is a front elevational view of the cooler illustrated in FIG. 1.

FIG. 3 is a rear elevational view of the cooler of FIG. 1.

FIG. 4 is a right side elevational view of the cooler of FIG. 1.

FIG. 5 is a left side elevational view of the cooler of FIG. 1.

FIG. 6 is a top plan view of the cooler of FIG. 1; and,

FIG. 7 is a bottom plan view of the cooler of FIG. 1.

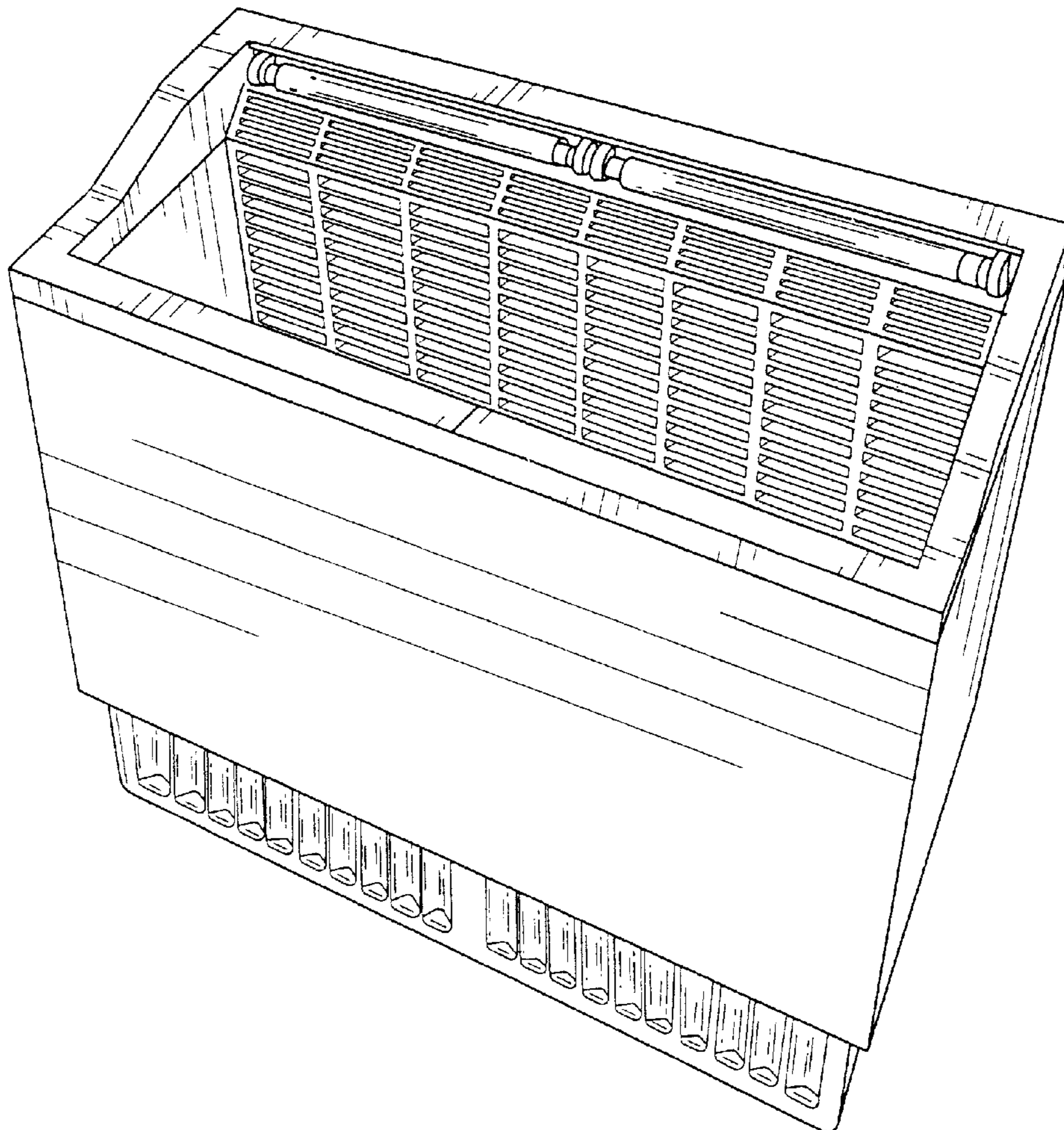
FIGS. 2-7 are shown on an enlarged scale.

### [56] References Cited

#### U.S. PATENT DOCUMENTS

2,465,934	3/1949	Sanders .	
2,504,520	4/1950	Greiling .	
3,759,059	9/1973	Kenyon .....	62/246
4,274,267	6/1981	James et al. ....	62/441
4,941,327	7/1990	Miles .....	62/246

**1 Claim, 5 Drawing Sheets**



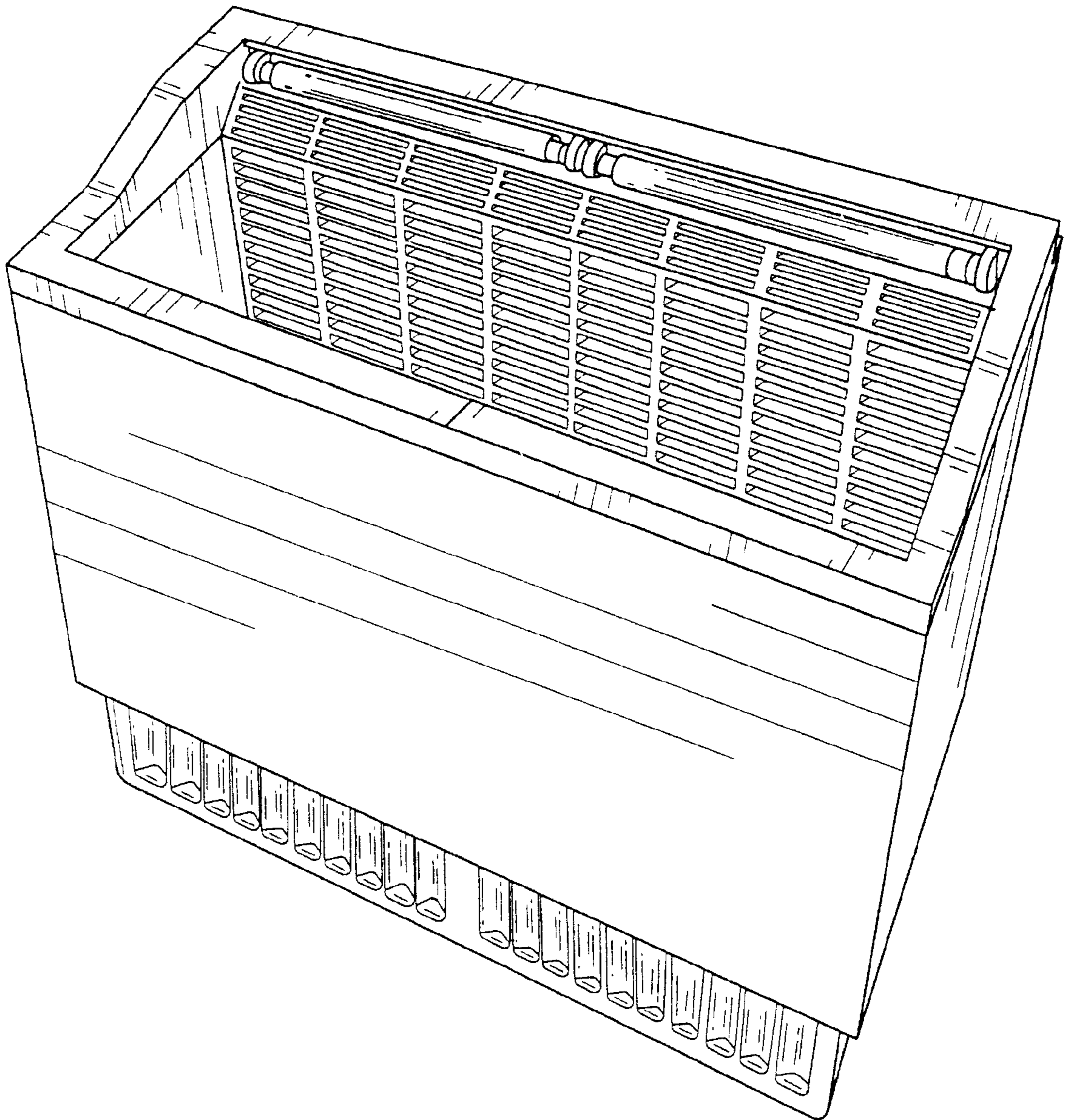


FIG. 1

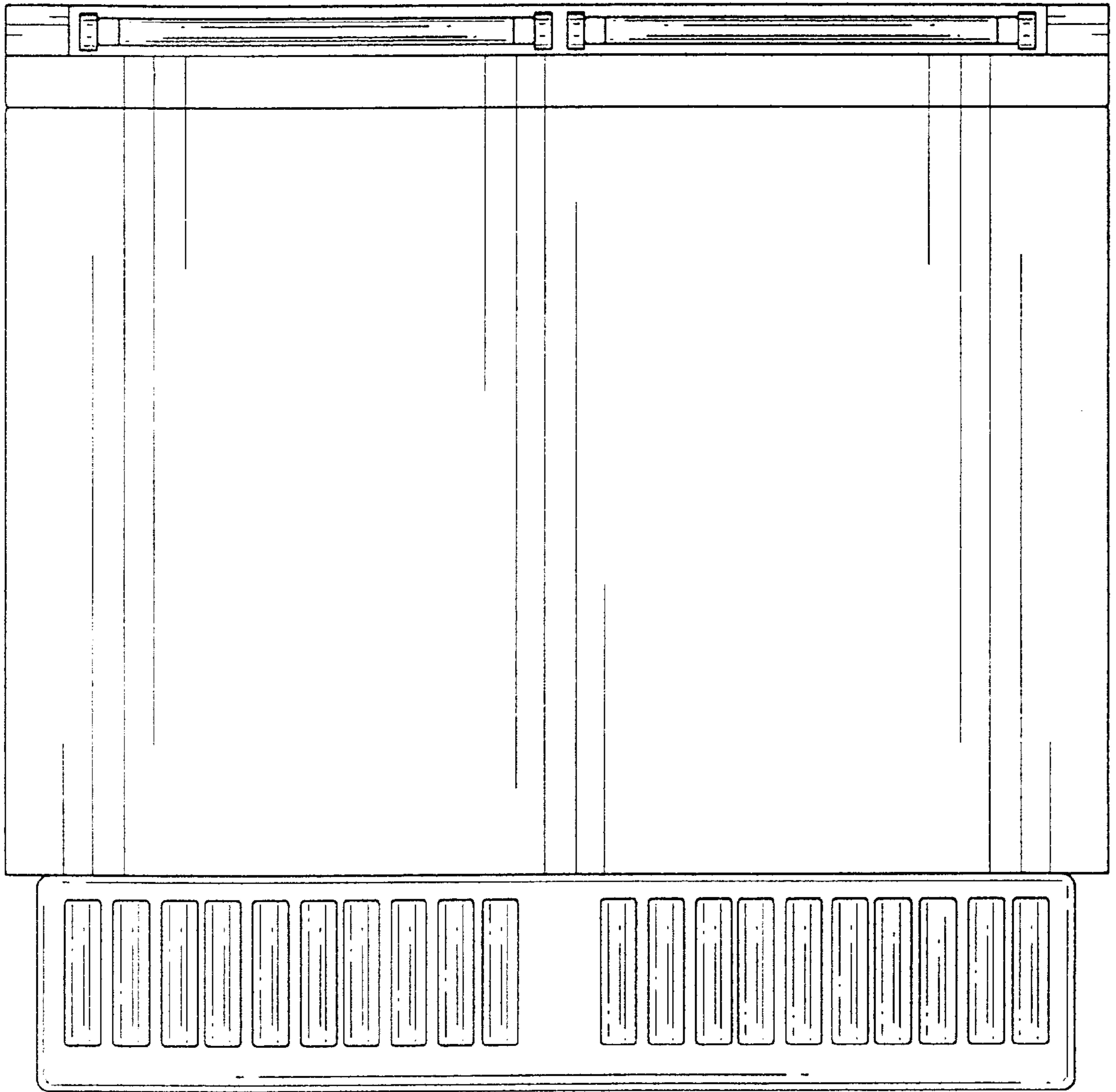


FIG. 2



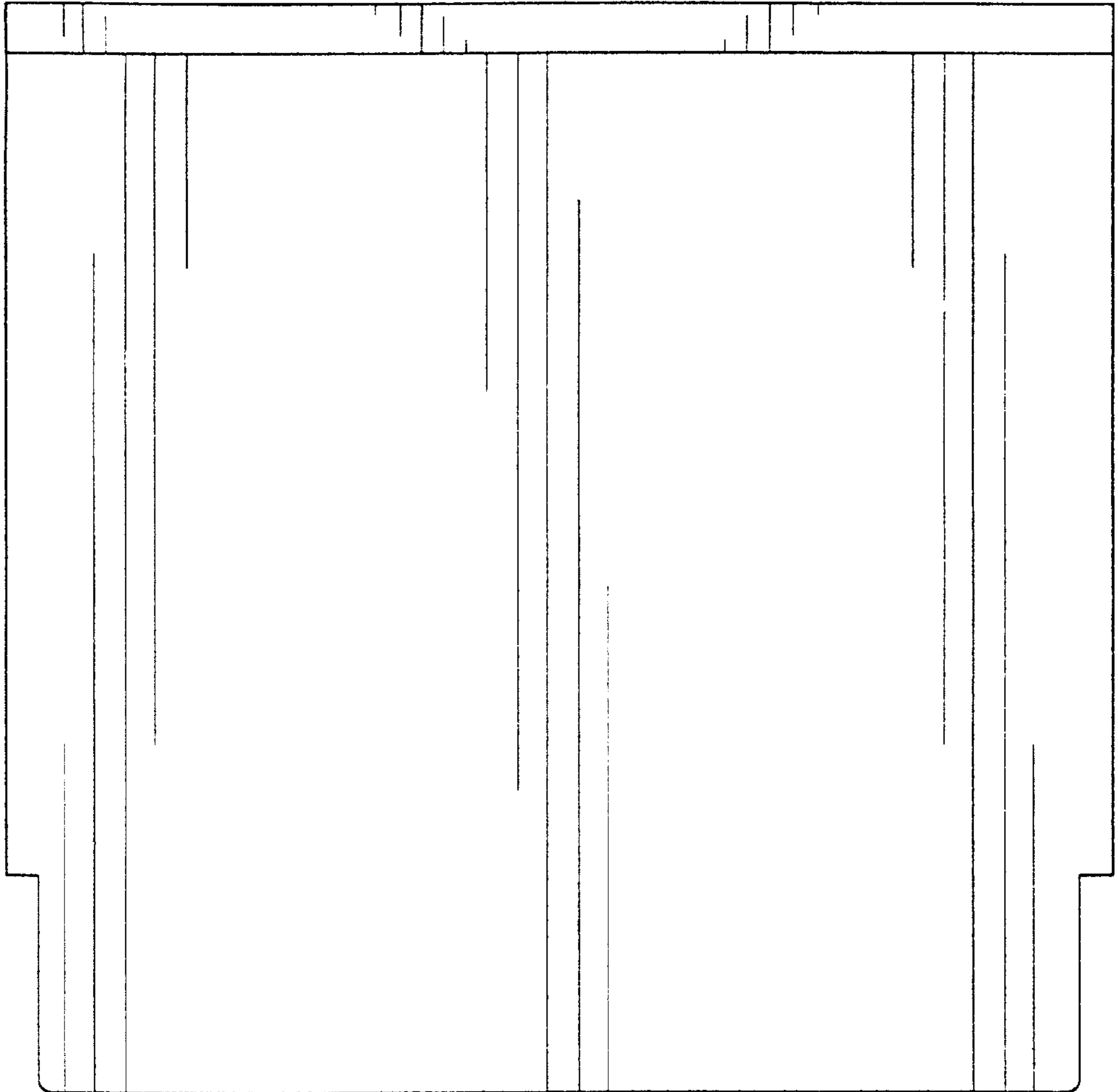


FIG. 3

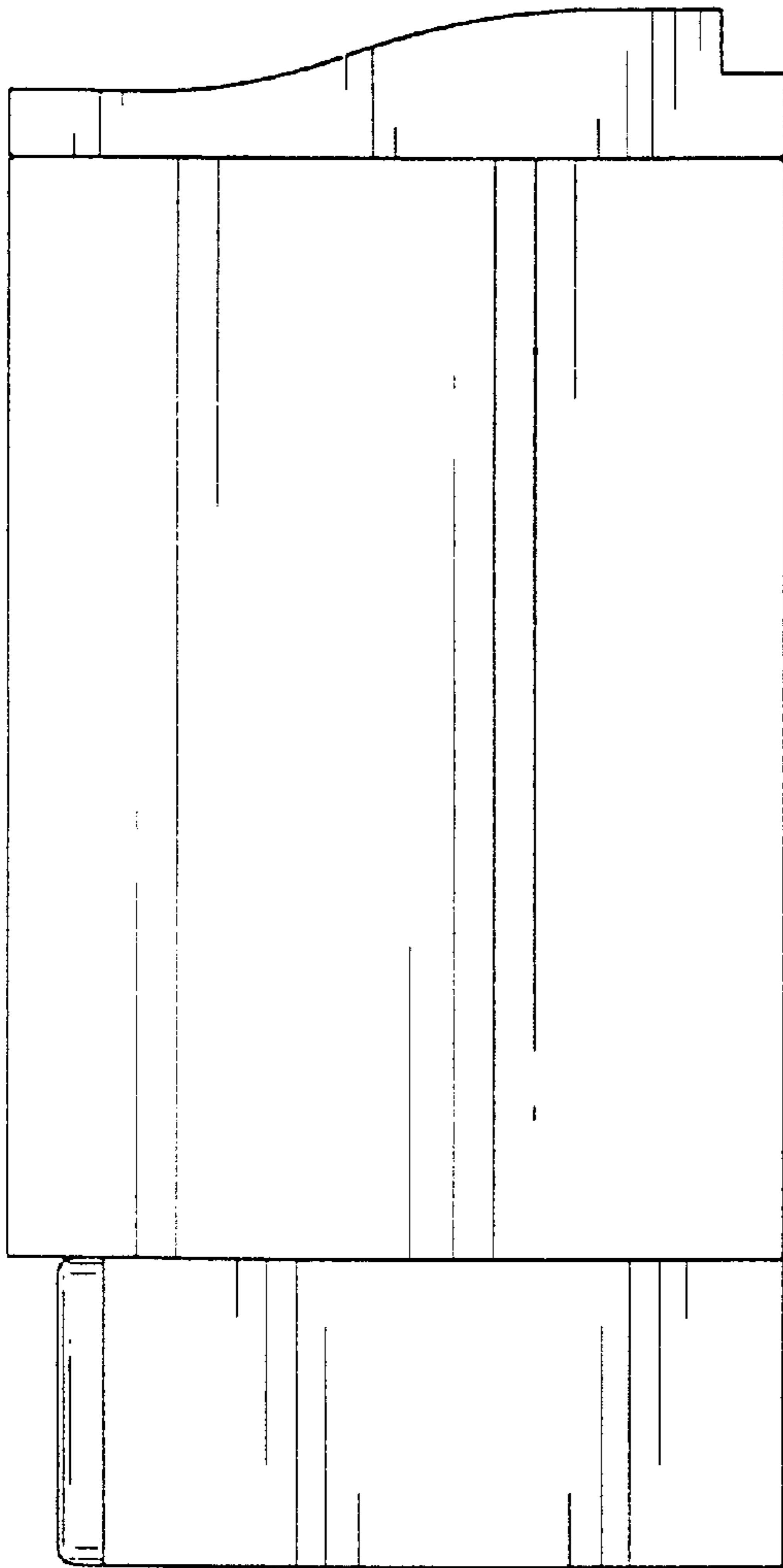


FIG. 4

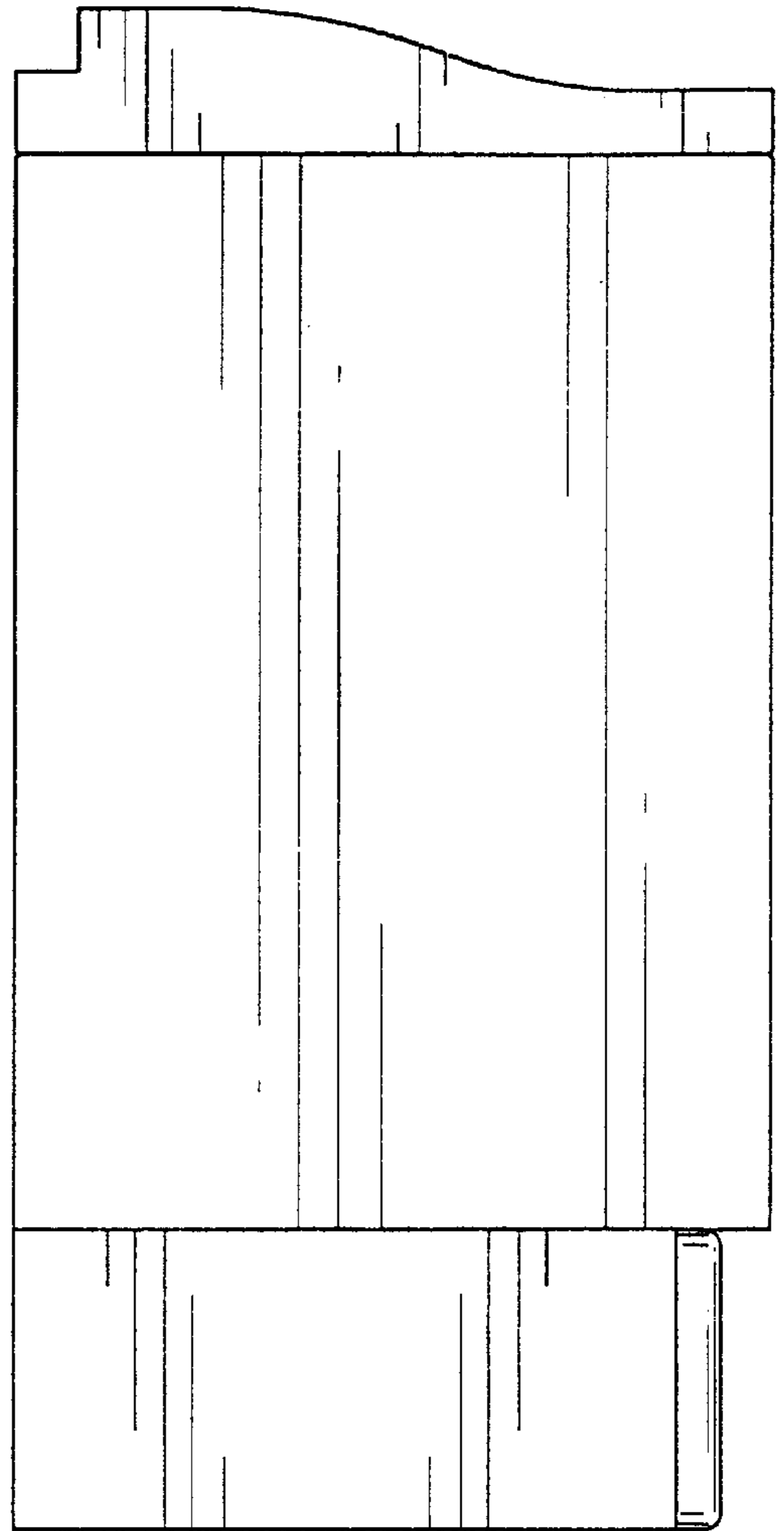


FIG. 5

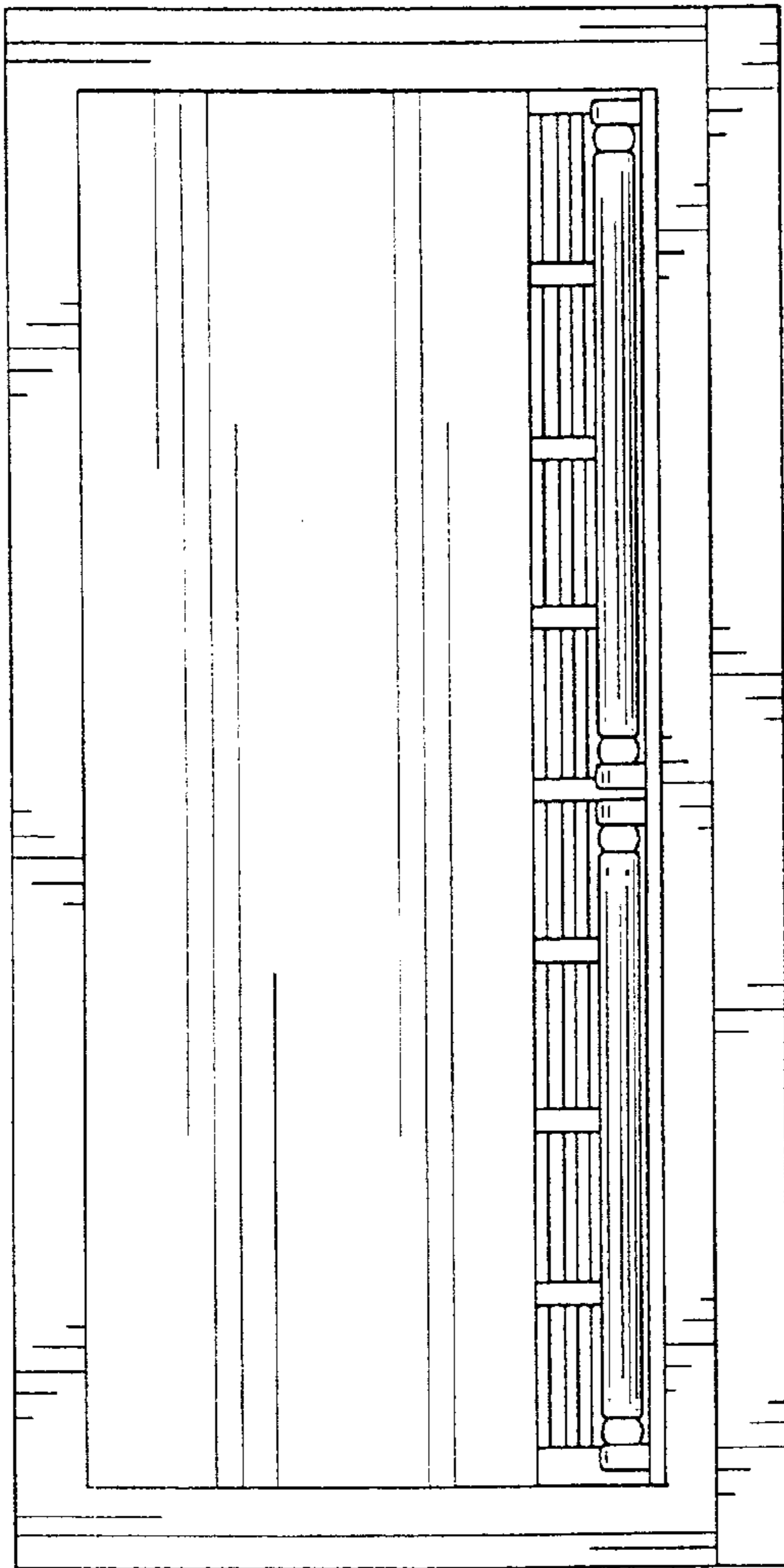


FIG. 6

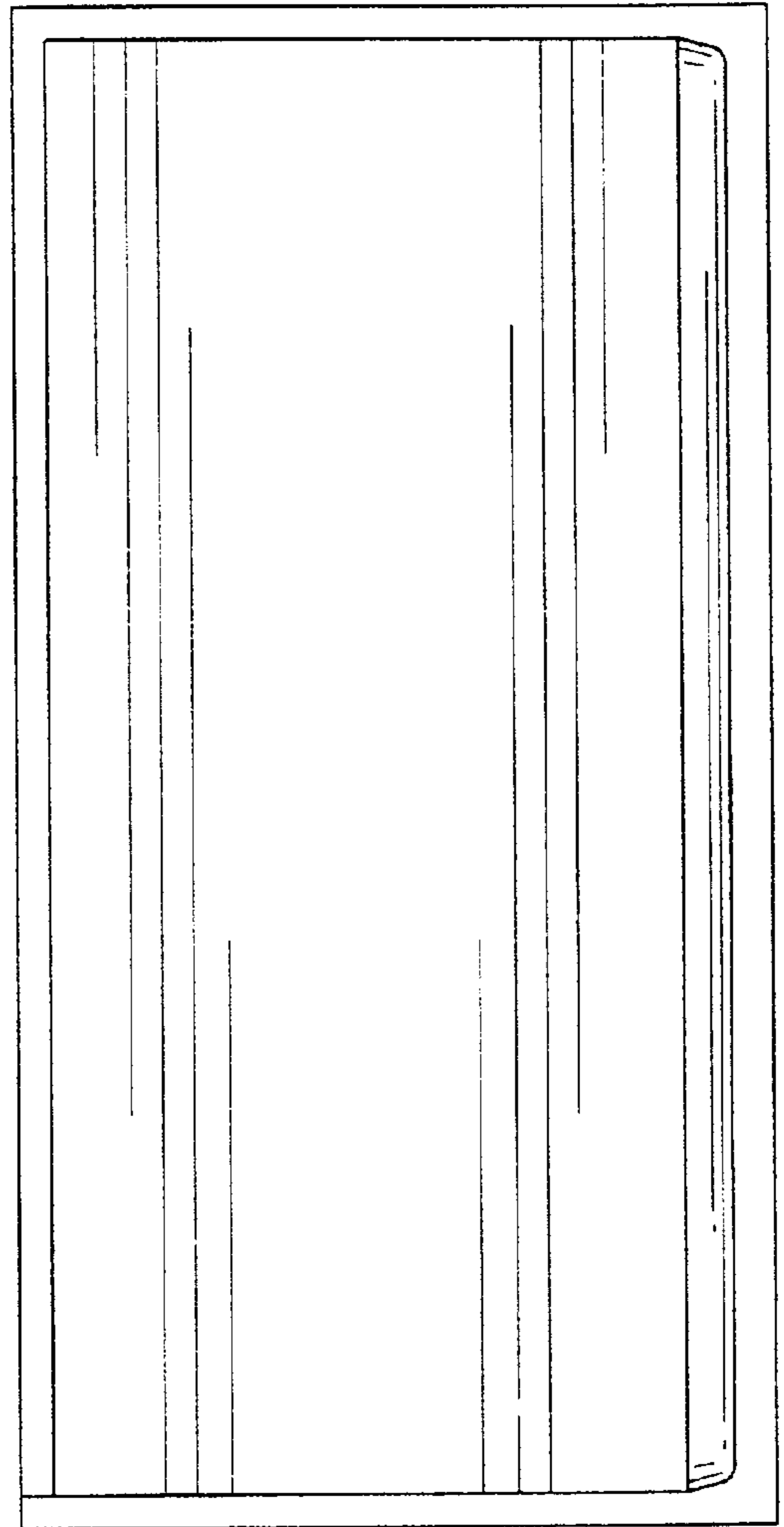


FIG. 7