



US00D432541S

United States Patent [19] McIlvaine

[11] **Patent Number: Des. 432,541**
[45] **Date of Patent: ** Oct. 24, 2000**

[54] **DATA-STORAGE LIBRARY FRONT DOOR**

[75] Inventor: **Neil G. McIlvaine**, Seattle, Wash.

[73] Assignee: **Advanced Digital Information Corporation**, Redmond, Wash.

[**] Term: **14 Years**

[21] Appl. No.: **29/113,214**

[22] Filed: **Nov. 1, 1999**

[51] **LOC (7) Cl.** **14-02**

[52] **U.S. Cl.** **D14/441**

[58] **Field of Search** D14/441-443,
D14/445, 368, 369, 450, 364; D13/162,
184, 199, 1, 64, 177; D10/103, 121; 312/223.2;
360/92

[56] **References Cited**

U.S. PATENT DOCUMENTS

D. 262,968	2/1982	Hutcheson	D14/107
D. 286,049	10/1986	Nishida	D14/107
D. 296,898	7/1988	Hara	D14/109
D. 308,361	6/1990	Nakamura et al.	D14/368
D. 313,011	12/1990	Searle et al.	D14/100
D. 324,209	2/1992	Tanabe	D14/107
D. 331,048	11/1992	Ito et al.	D14/115
D. 333,817	3/1993	Marotti	D14/109
D. 334,919	4/1993	Hammar et al.	D14/109
D. 357,467	4/1995	Sakai et al.	D14/369
D. 362,248	9/1995	Marotti et al.	D14/115
D. 367,470	2/1996	Yokoyama	D14/368
D. 377,787	2/1997	Fleckenstein	D14/107
D. 409,166	5/1999	Otis et al.	D14/107
D. 409,988	5/1999	Otis et al.	D14/107
3,809,263	5/1974	Dodd et al.	214/16.4 R
3,831,197	8/1974	Beach et al.	360/71
4,519,522	5/1985	McElwee	221/13
4,654,727	3/1987	Blum et al.	360/71
4,779,151	10/1988	Lind et al.	360/92
4,802,035	1/1989	Ohtsuka	360/92
4,816,943	3/1989	Tanaka et al.	360/92
4,817,070	3/1989	Hug et al.	369/36
4,864,511	9/1989	Moy et al.	364/478
4,945,429	7/1990	Munro et al.	360/92

4,984,106	1/1991	Herger et al.	360/92
5,016,127	5/1991	Inoue et al.	360/92
5,089,920	2/1992	Bryer et al.	360/92
5,157,564	10/1992	Theabold et al.	360/92
5,182,687	1/1993	Campbell et al.	360/92
5,235,474	8/1993	Searle	360/71
5,258,882	11/1993	Apple et al.	360/92
5,291,110	3/1994	Andrews, Jr. et al.	318/560
5,481,514	1/1996	Yamasaki et al.	369/36
5,781,367	7/1998	Searle et al.	360/92

FOREIGN PATENT DOCUMENTS

0 186 945	7/1986	European Pat. Off.	..	
0 392 620	10/1990	European Pat. Off.	360/92
3612531	11/1986	Germany	360/92
61-92467	5/1986	Japan	360/92
62-239370	10/1987	Japan	360/92
62-239372	10/1987	Japan	360/92
62-239460	10/1987	Japan	360/92
63-244440	10/1988	Japan	..	
2-42672	2/1990	Japan	360/92
3-44858	2/1991	Japan	360/92
3-91153	4/1991	Japan	360/92
4-10264	1/1992	Japan	360/92
4-163761	6/1992	Japan	360/92
5-144144	6/1993	Japan	360/92

Primary Examiner—Freda Nunn
Attorney, Agent, or Firm—Seed IP Law Group PLLC

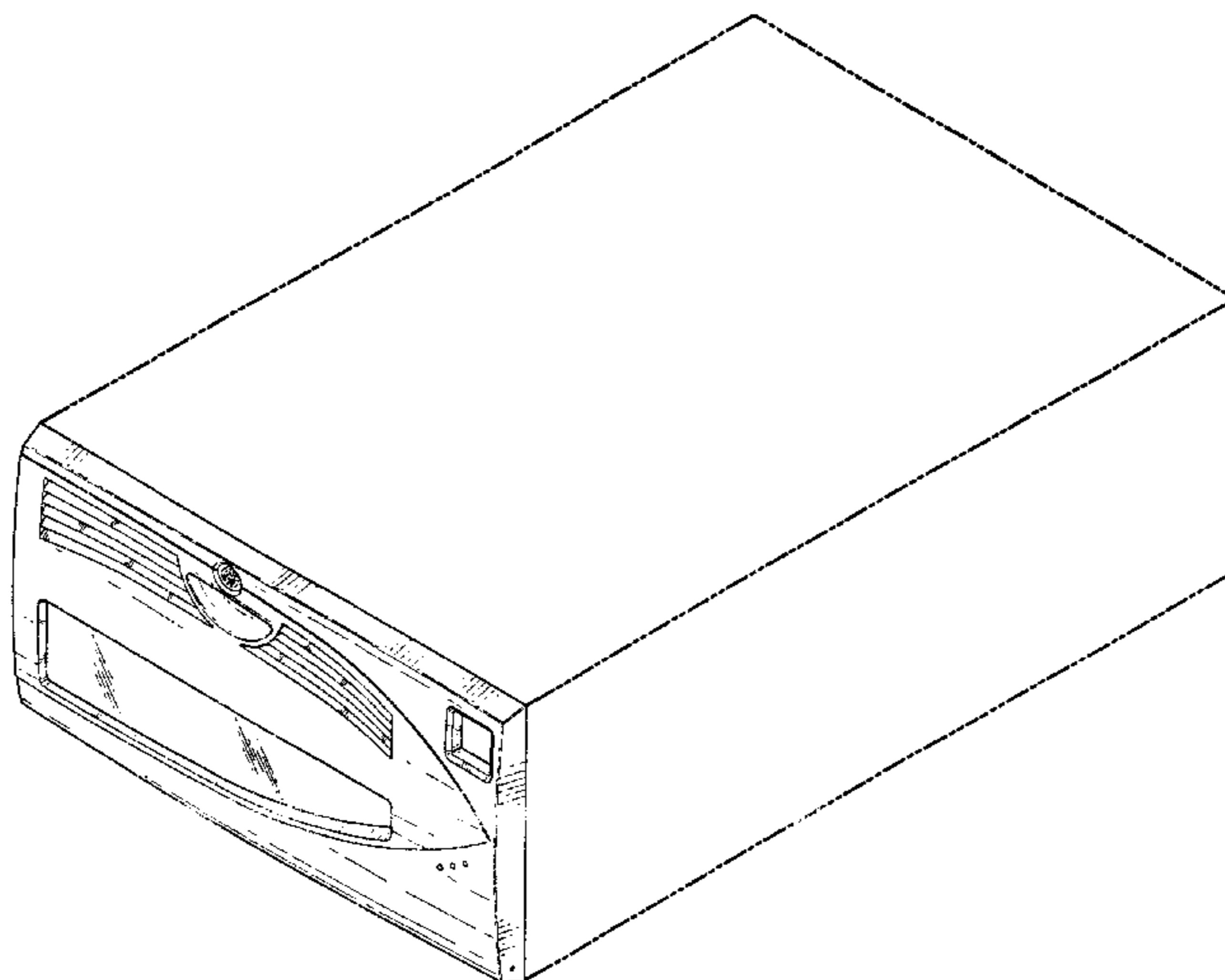
[57] **CLAIM**

The ornamental design for a data-storage library front door, as shown and described.

DESCRIPTION

FIG. 1 is a top front right side isometric view of a Data Storage Library Front Door showing our new design; FIG. 2 is a front elevational view thereof; FIG. 3 is a top plan view thereof; FIG. 4 is a right side elevational view thereof; FIG. 5 is a bottom plan view thereof; and, FIG. 6 is a left side elevational view thereof. The data storage library is shown in broken lines for illustrative purposes only and forms no part of the claimed design.

1 Claim, 3 Drawing Sheets



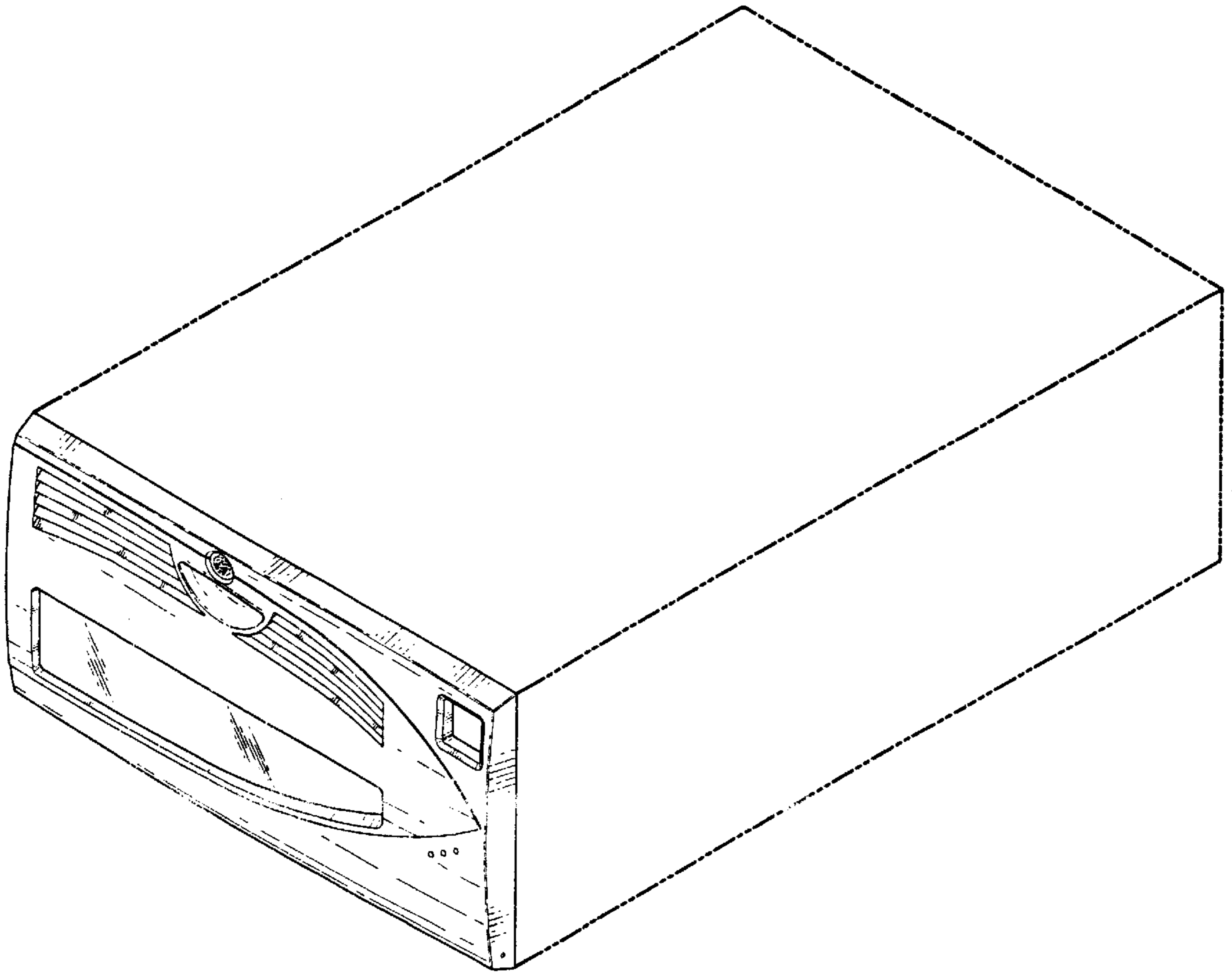


Fig. 1

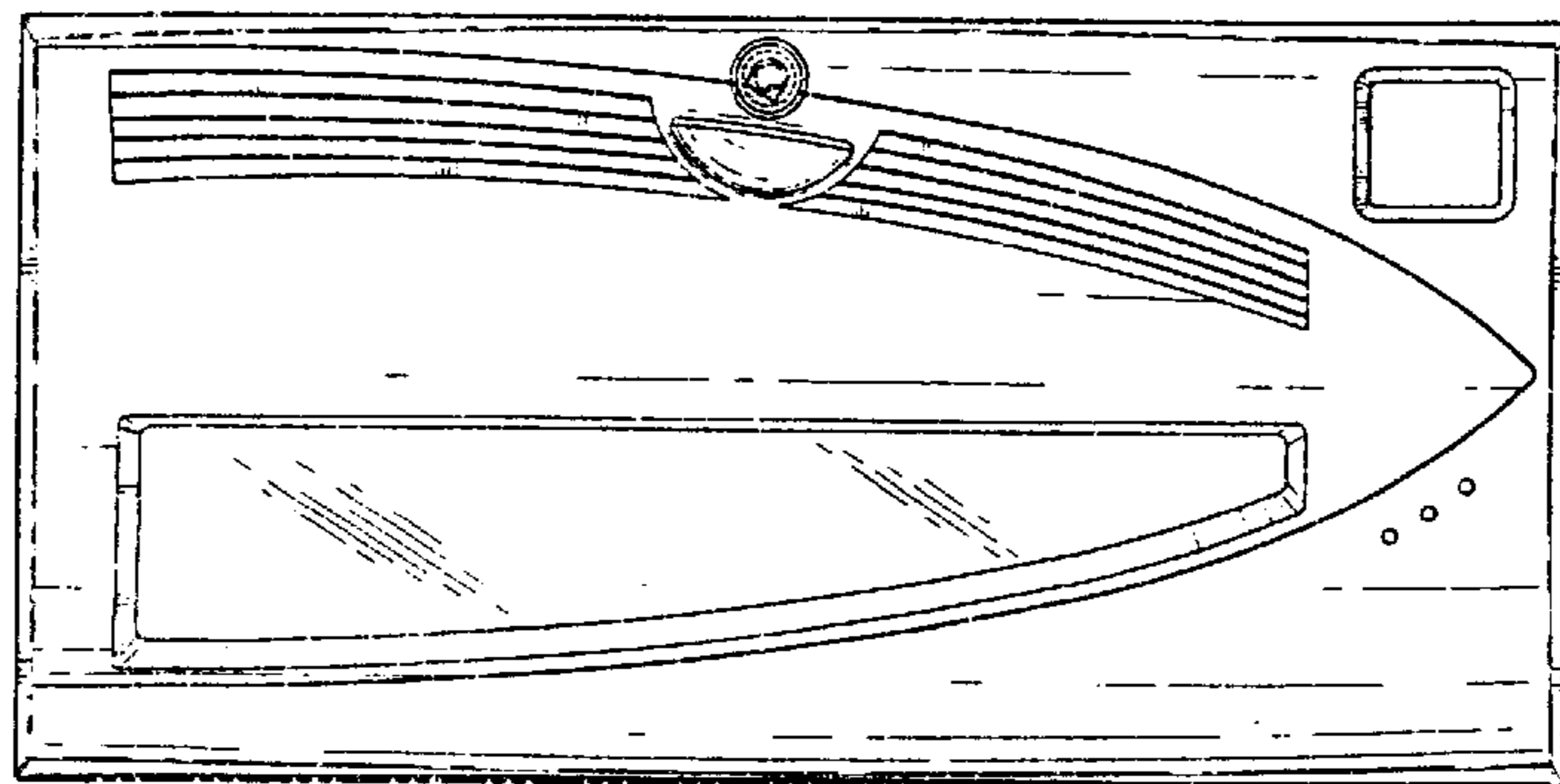


Fig. 2

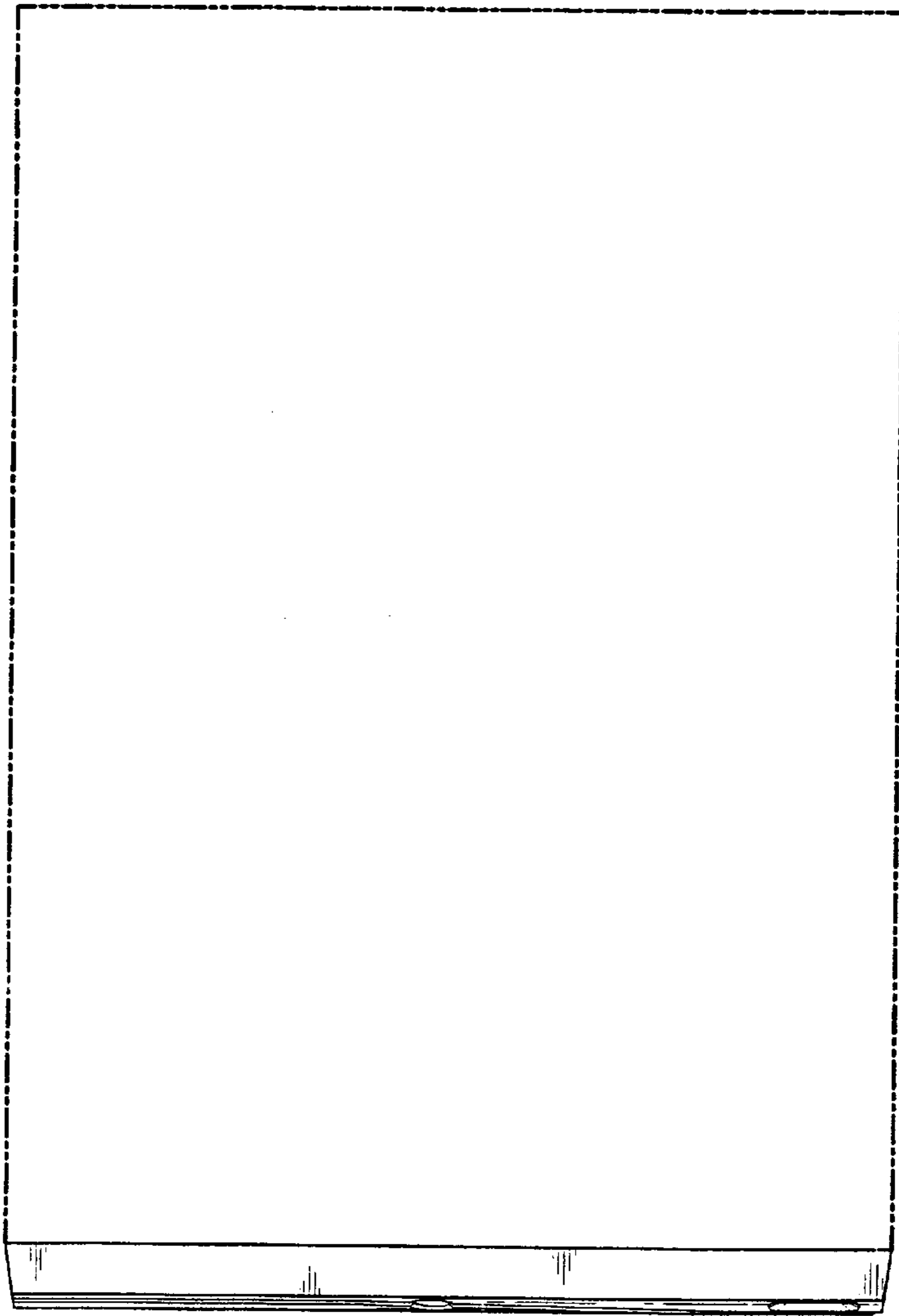


Fig. 3

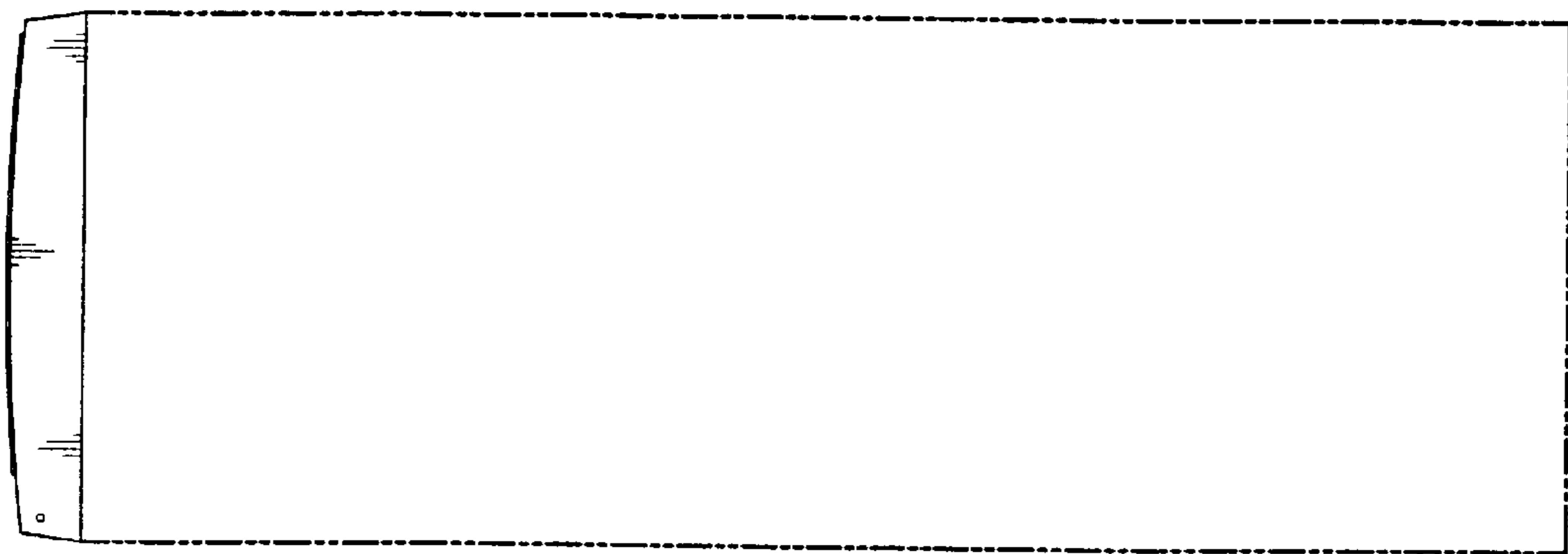


Fig. 4

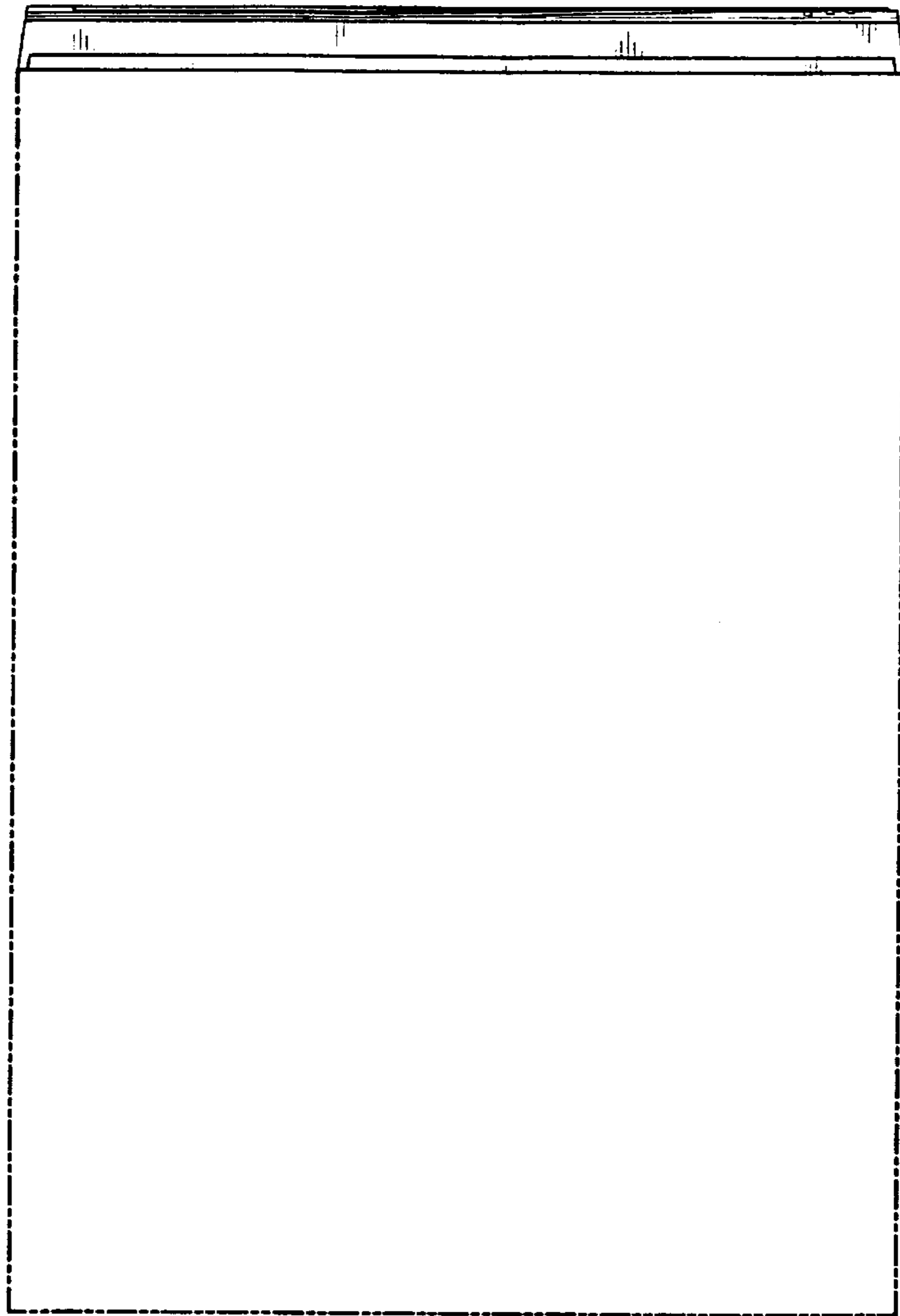


Fig. 5

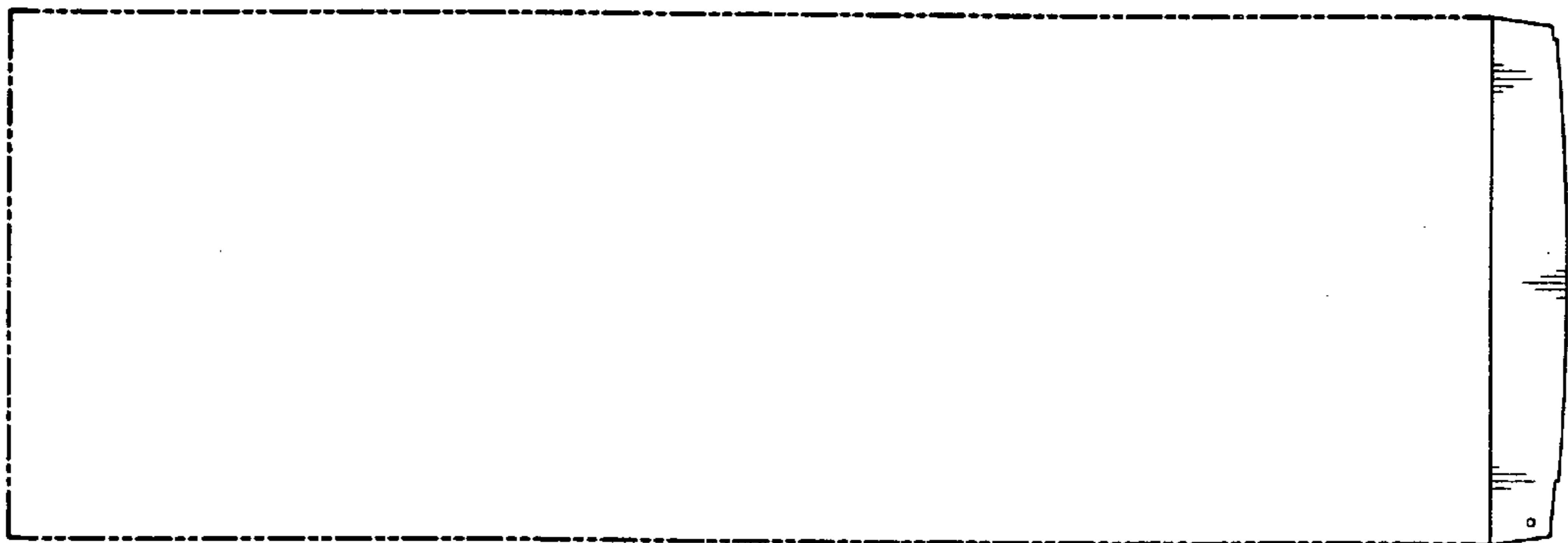


Fig. 6