



US00D432527S

United States Patent [19] DeLeon

[11] Patent Number: Des. 432,527

[45] Date of Patent: ** Oct. 24, 2000

[54] ACCESSORY SPEAKER FOR COMMUNICATIONS EQUIPMENT

[75] Inventor: Rodolfo DeLeon, Raleigh, N.C.

[73] Assignee: Ericsson Inc., Research Triangle Park, N.C.

[**] Term: 14 Years

[21] Appl. No.: 29/107,401

[22] Filed: Jul. 2, 1999

[51] LOC (7) Cl. 14-03

[52] U.S. Cl. D14/240; D14/225

[58] Field of Search D13/108, 144, D13/153; D14/240, 243, 256, 225, 226, 228, 204, 210, 216, 107, 114, 140, 142; 379/388, 419, 420, 428, 440, 426, 441, 442, 454, 455; 455/90, 550-575

[56] References Cited

U.S. PATENT DOCUMENTS

D. 175,440	8/1955	Palo	D14/225
D. 234,957	4/1975	Huntington et al.	D14/225
D. 244,780	6/1977	Kobayashi	D14/225
D. 247,668	4/1978	Furst et al.	D14/225
D. 252,024	6/1979	Fujita	D14/225
D. 252,085	6/1979	Fujita	D14/225
D. 264,335	5/1982	Huntington	D14/225
D. 300,924	5/1989	Mauch	D14/225
D. 346,804	5/1994	Tokiyama	D14/226
D. 356,571	3/1995	Garmon et al.	D14/225
D. 360,208	7/1995	Richards	D14/204
D. 369,811	5/1996	Chen	D14/248
D. 374,874	10/1996	Lindeman et al.	D14/225
D. 378,820	4/1997	Tokiyama et al.	D14/225
D. 384,937	10/1997	Liu	D13/108
D. 396,715	8/1998	Konomi	D14/142
D. 404,037	1/1999	Gomez et al.	D14/240
D. 408,414	4/1999	Stead et al.	D14/225
D. 415,767	10/1999	Page et al.	D14/226
D. 416,869	11/1999	Tsai	D13/153
5,170,067	12/1992	Baum et al.	D13/144 X
5,490,213	2/1996	Huang	379/442
5,802,167	9/1998	Hong	379/388

OTHER PUBLICATIONS

Brochure, Hands Free Products, <http://www.dania.express-web.com/cwhtrpProductDetail?productID=16ER1738HFTP>; Motorola, 14 pages (May 10, 1999).

Brochure, "Pocket Cellular Telephone," Motorola, 2 pages(1993).

Primary Examiner—Jeffrey Asch
Attorney, Agent, or Firm—Myers Bigel Sibley & Sajovec, P.A.

[57] CLAIM

The ornamental design for an accessory speaker for communications equipment, as shown and described.

DESCRIPTION

FIG. 1 is a front view of the accessory speaker showing my design;

FIG. 2 is a first side view thereof, with the opposing side view being a mirror image of the first side view;

FIG. 3 is a rear view thereof;

FIG. 4 is a top view thereof;

FIG. 5 is a bottom view thereof;

FIG. 6 is a perspective view thereof;

FIG. 7 is a front view of a second embodiment of that shown in FIGS. 1-6.

FIG. 8 is a first side view thereof, with the opposing side view being a mirror image of the first side view;

FIG. 9 is a rear view thereof;

FIG. 10 is a top view thereof;

FIG. 11 is a bottom view thereof;

FIG. 12 is a front view of a third embodiment of that shown in FIGS. 1-11.

FIG. 13 is a first side view thereof, with the opposing side view being a mirror image of the first side view;

FIG. 14 is a rear view thereof;

FIG. 15 is a top view thereof; and,

FIG. 16 is a bottom view thereof.

In the figures, the accessory has been enlarged for clarity; no scale is intended. The broken lines shown herein are for illustrative purposes only and form no part of the claimed design.

1 Claim, 13 Drawing Sheets

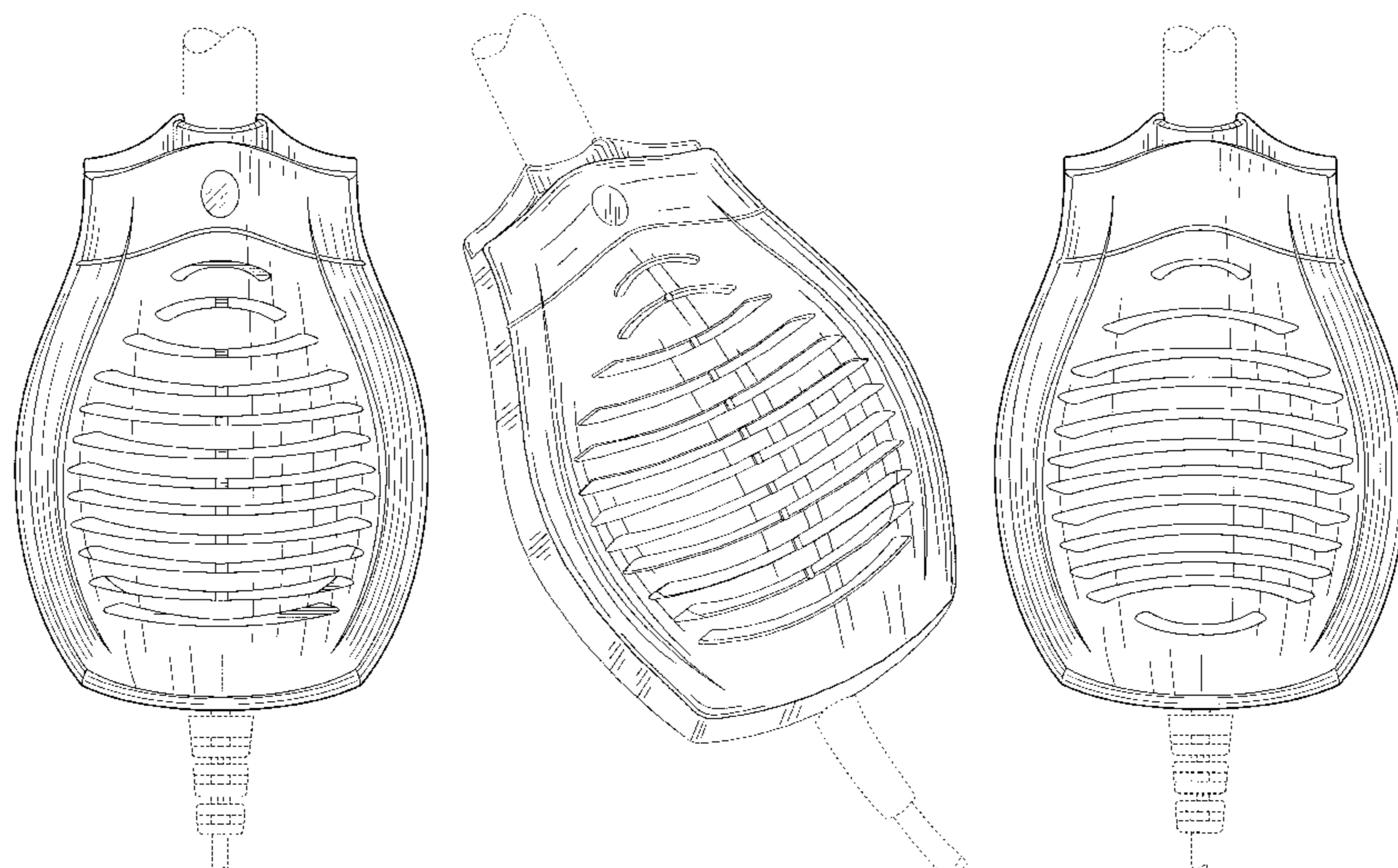


FIG. 1.

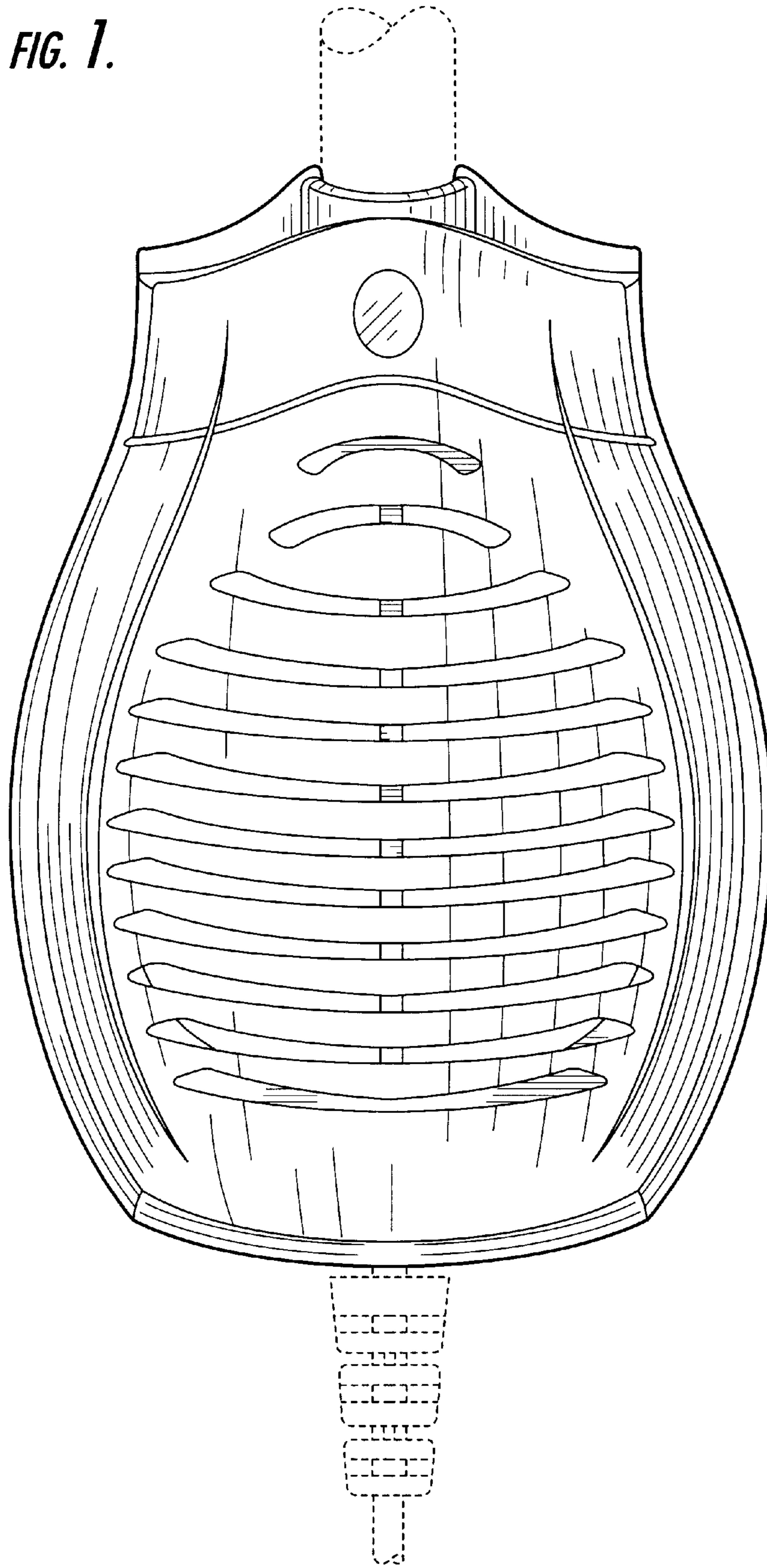


FIG. 2.

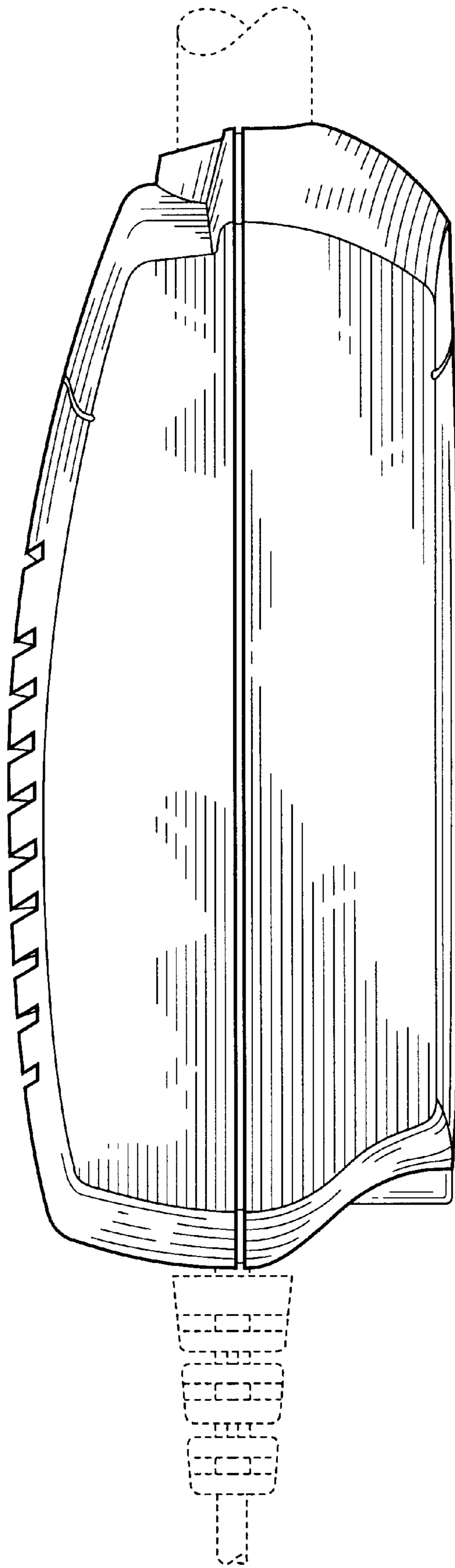


FIG. 3.

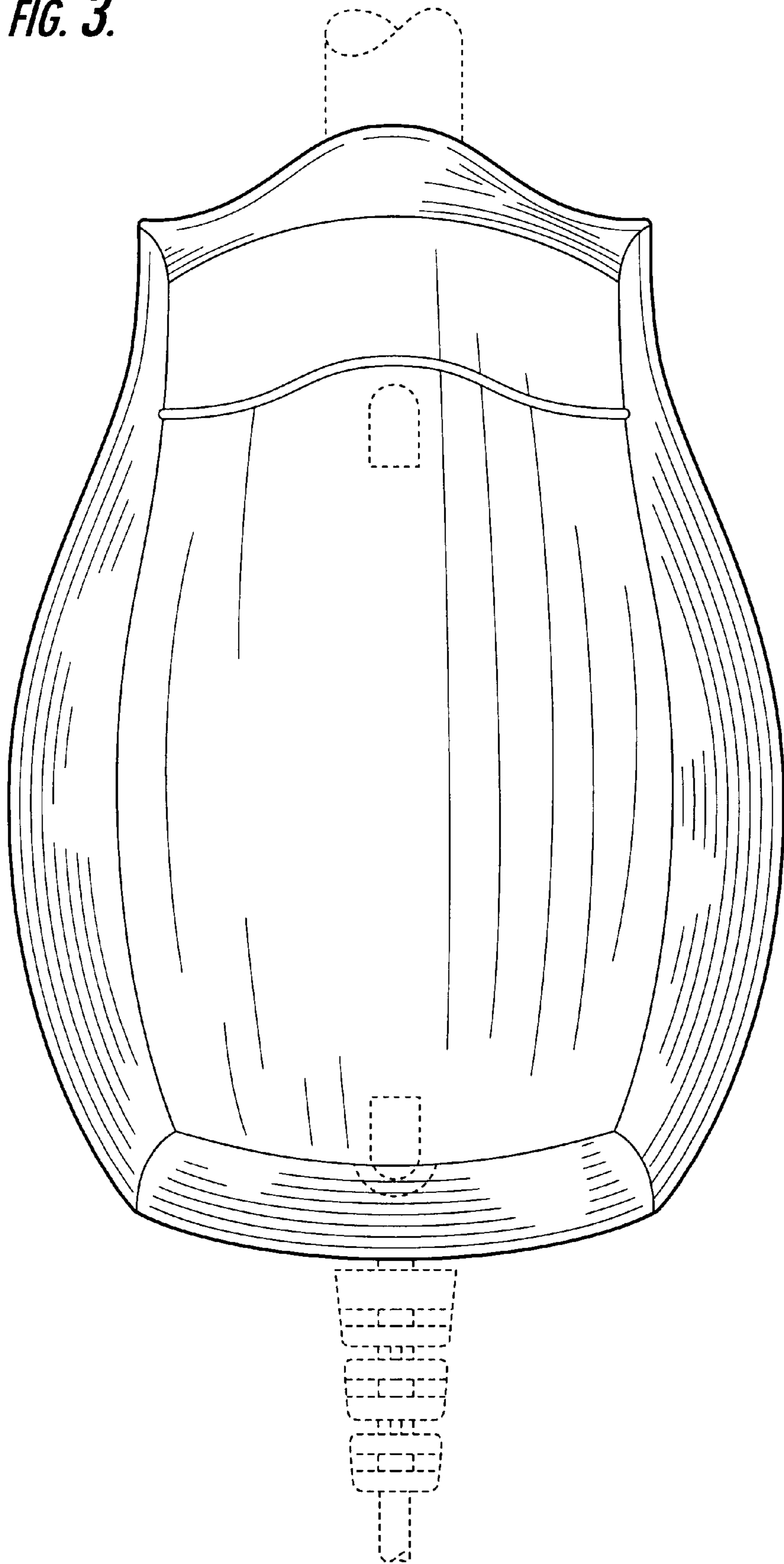


FIG. 4.

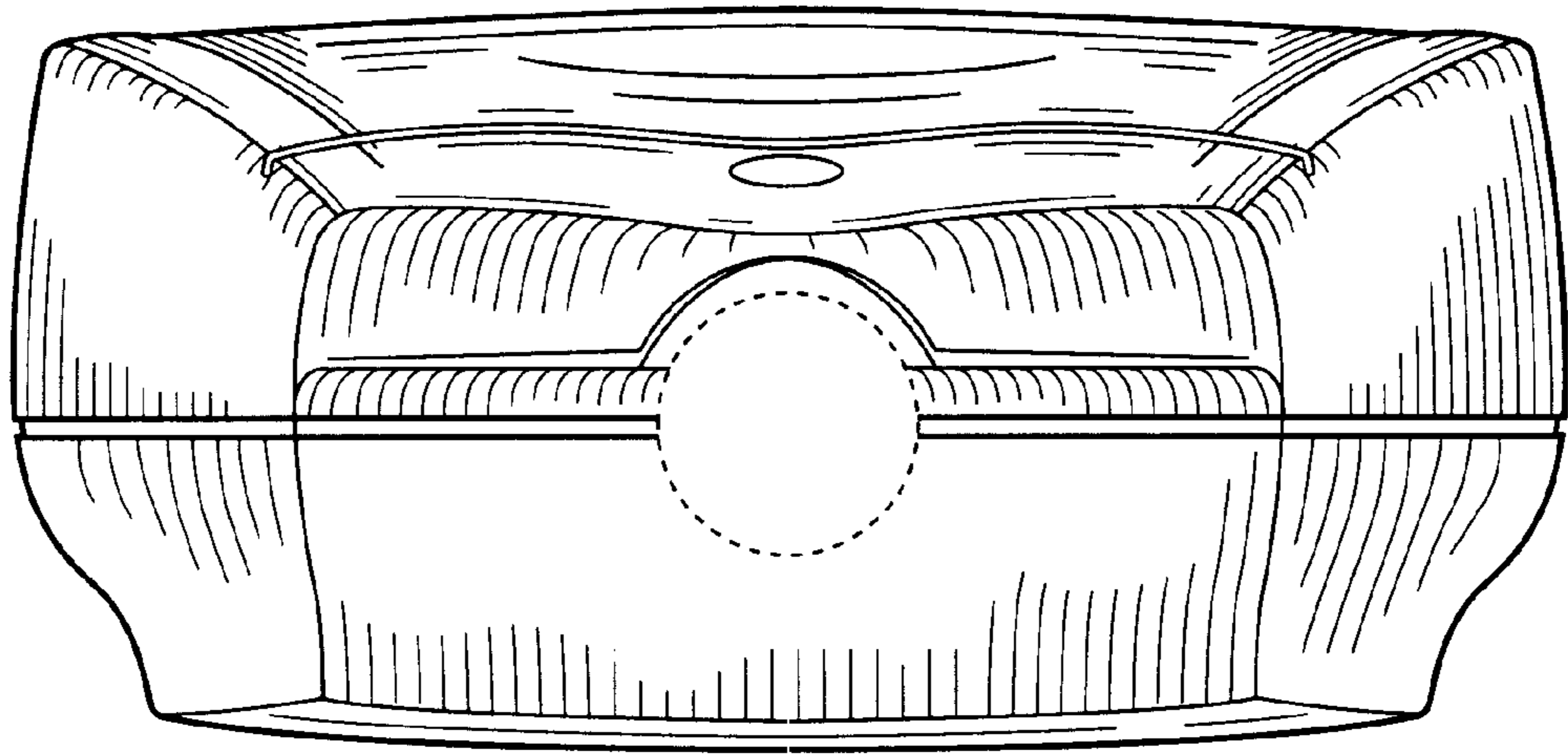
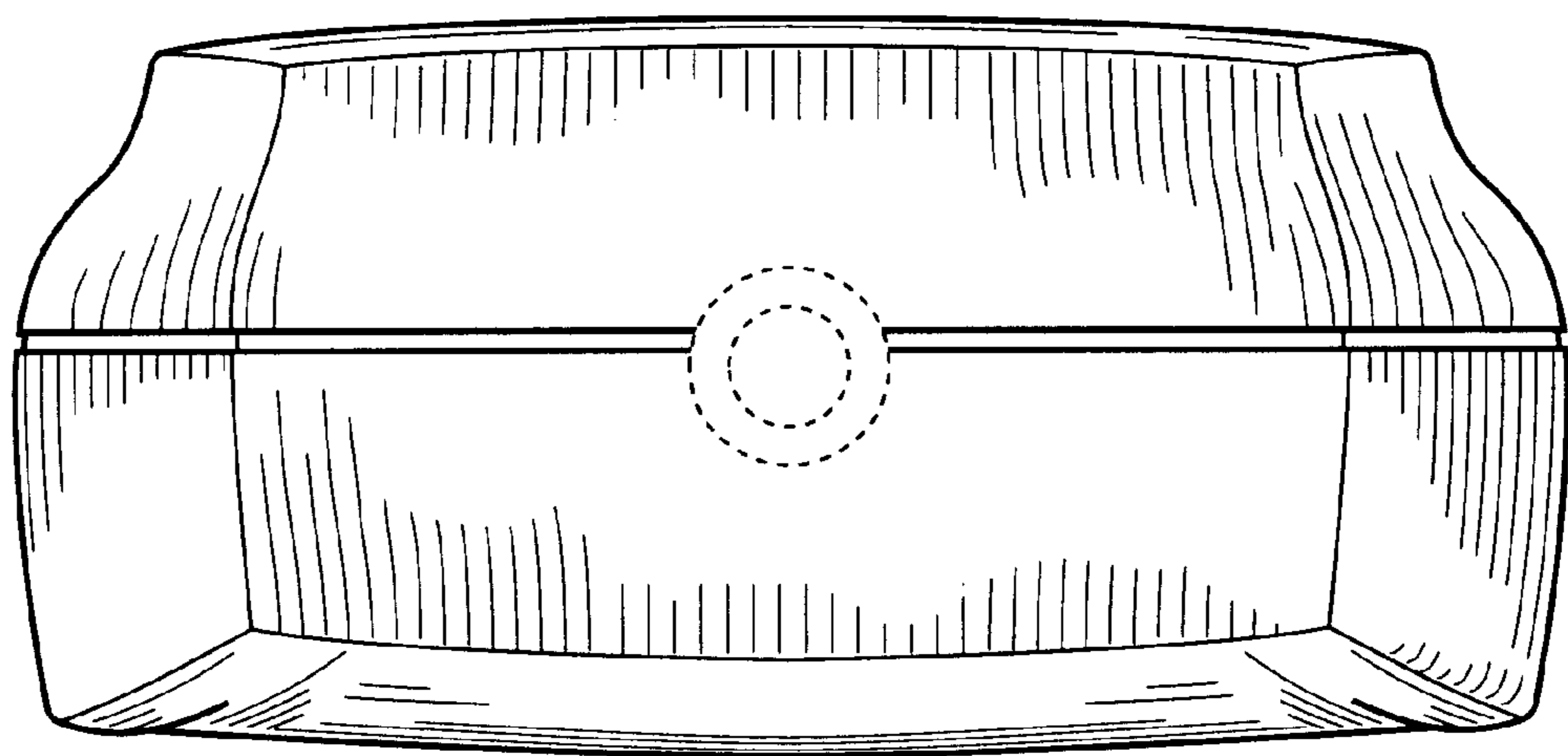


FIG. 5.



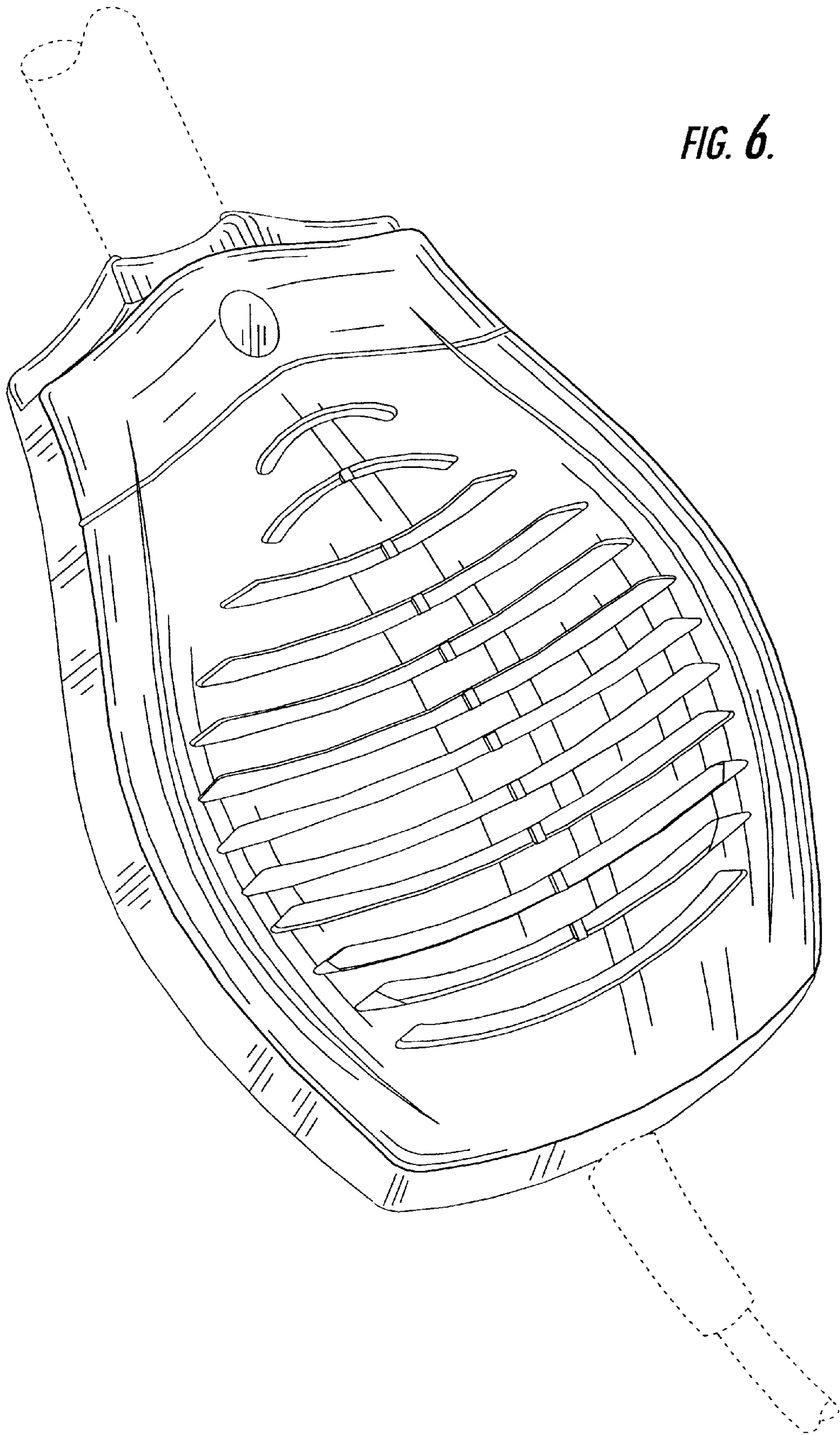


FIG. 6.

FIG. 7.

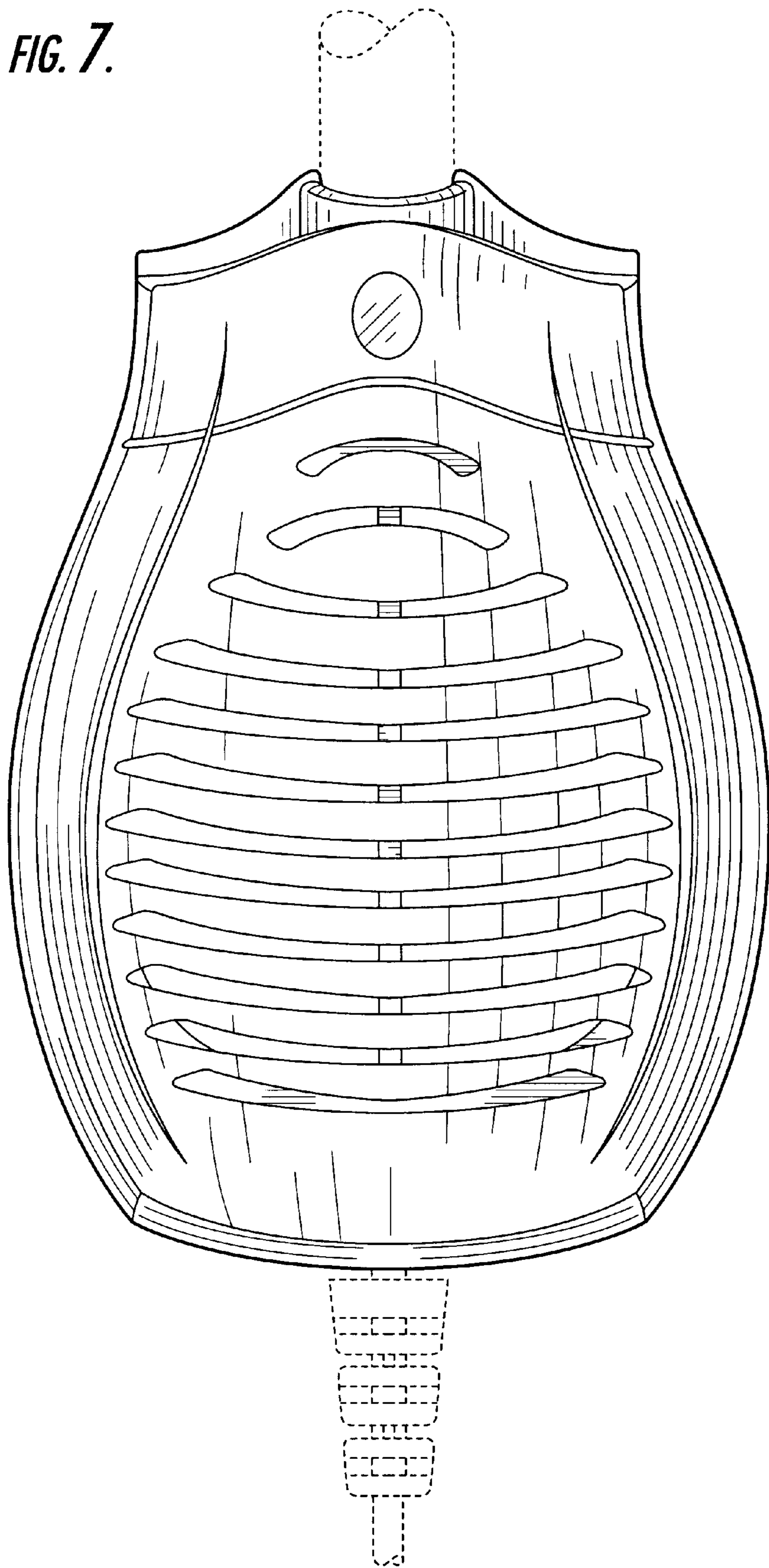


FIG. 8.

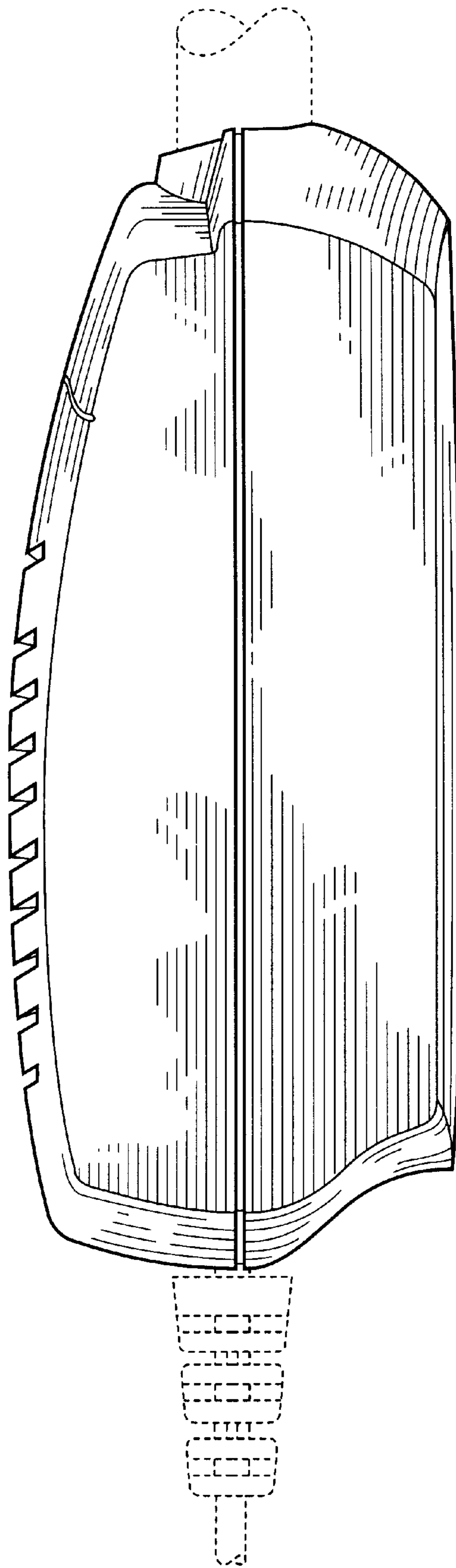


FIG. 9.

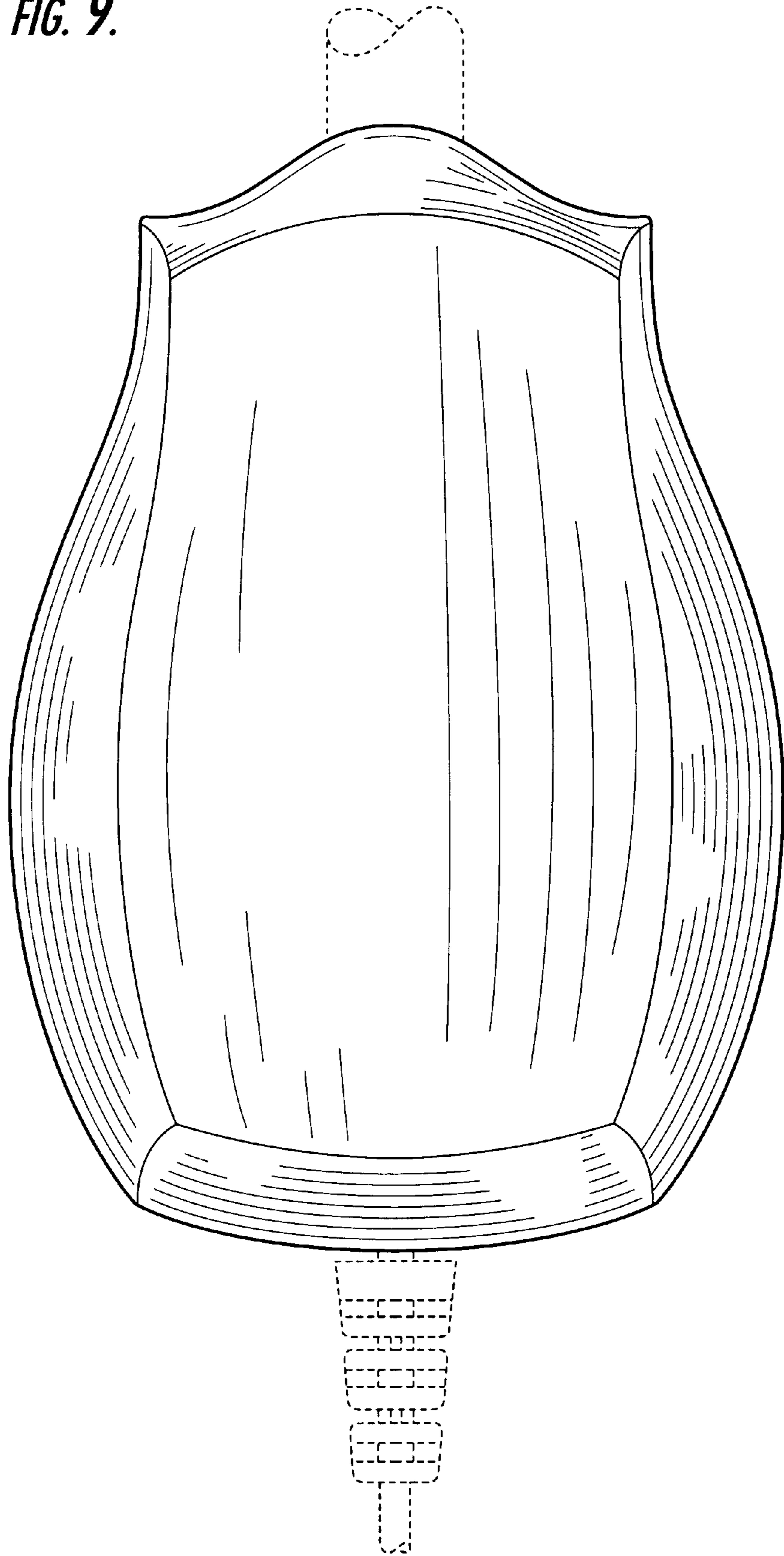


FIG. 10.

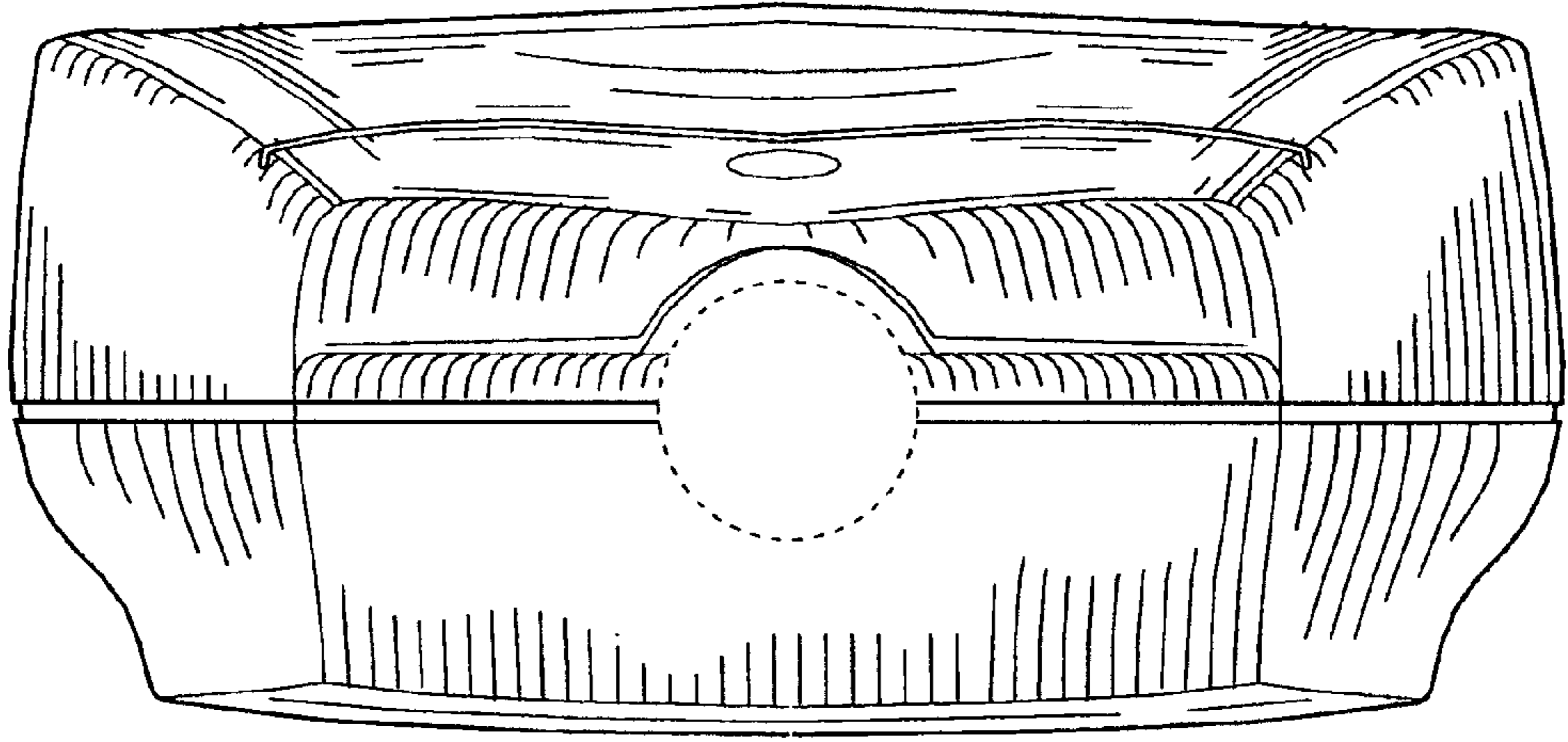


FIG. 11.

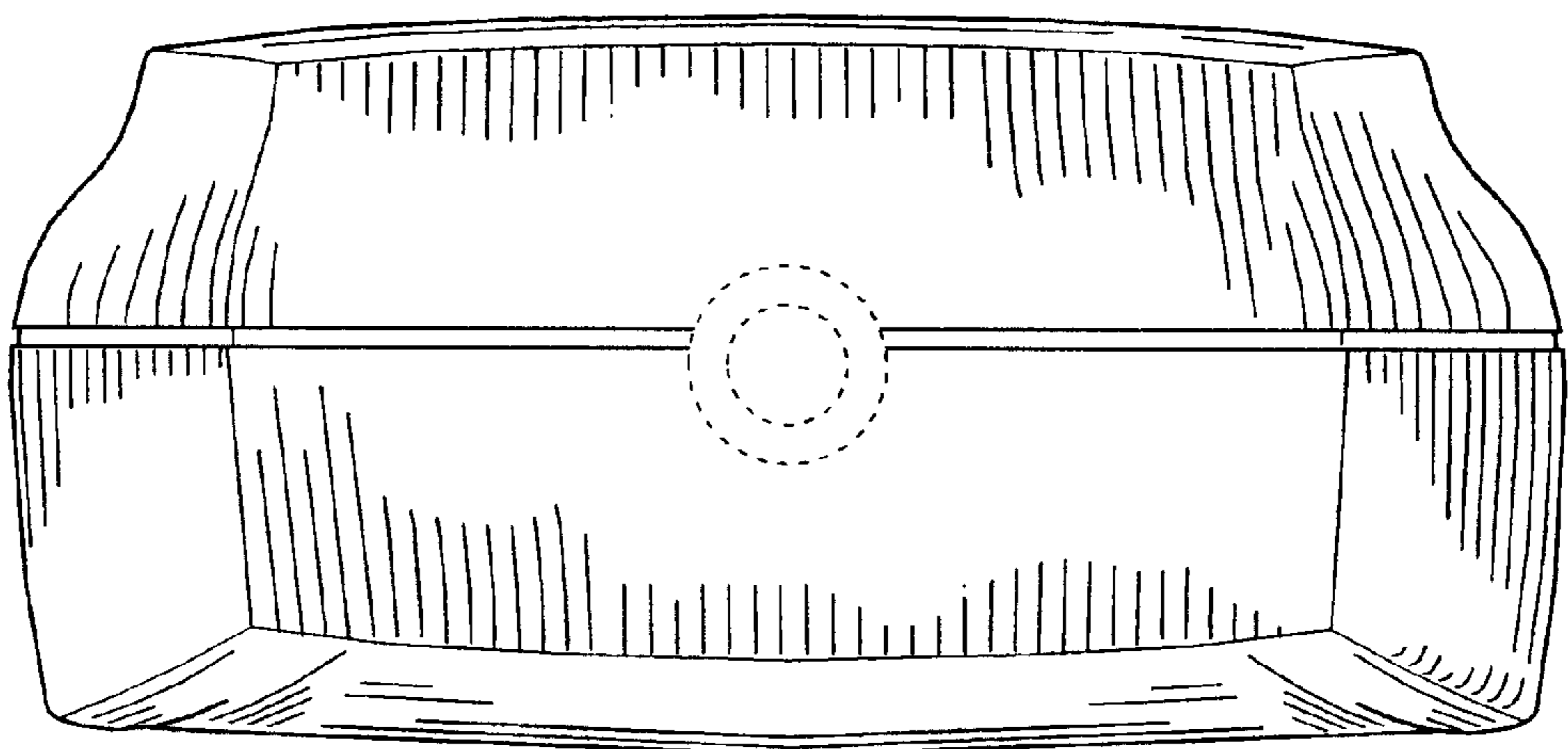


FIG. 12.

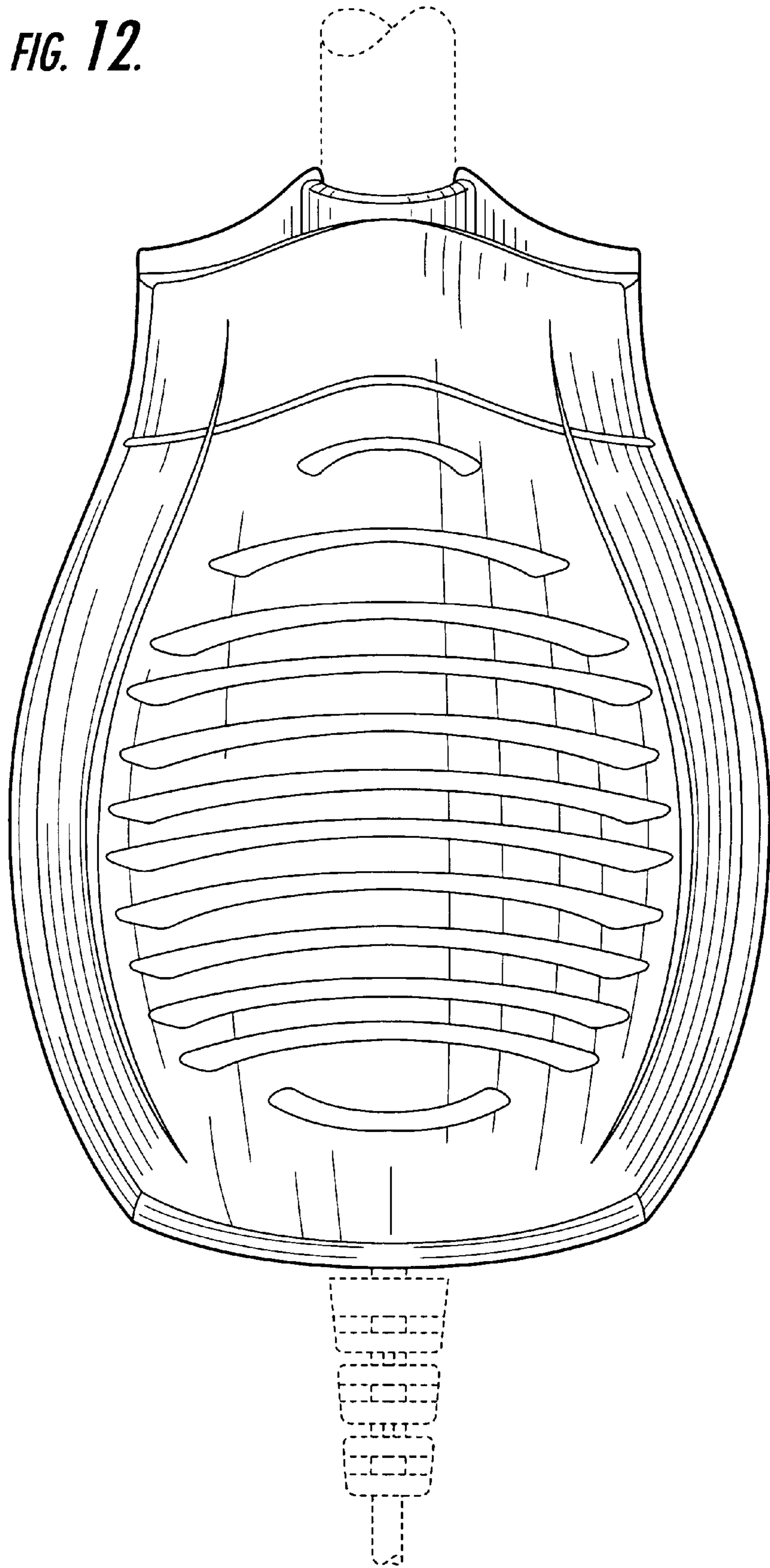


FIG. 13.

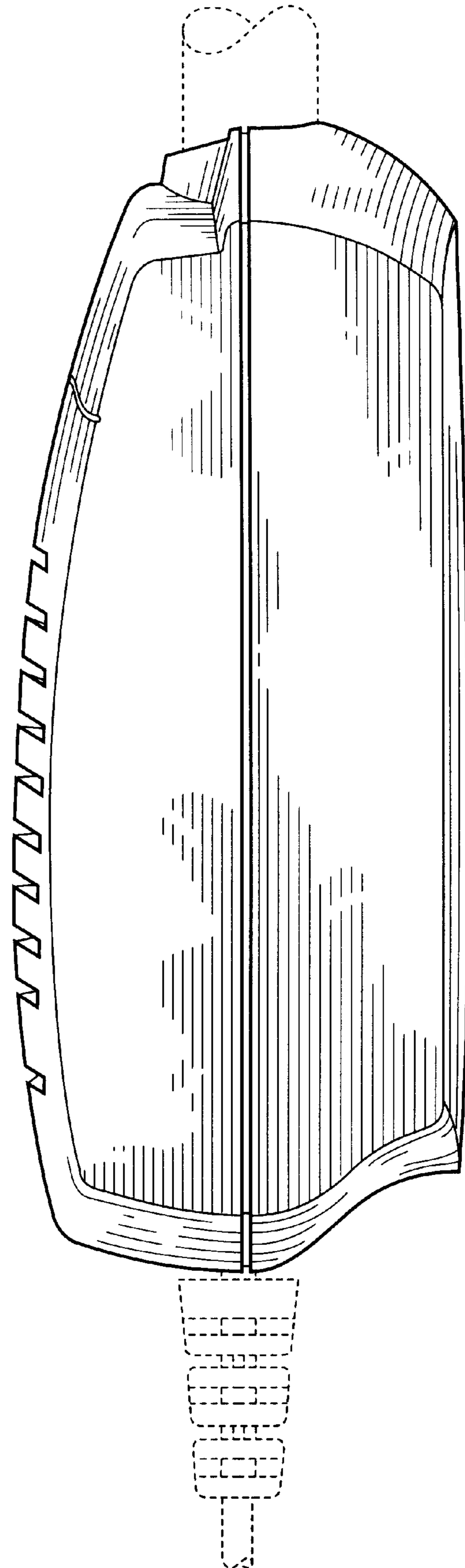


FIG. 14.

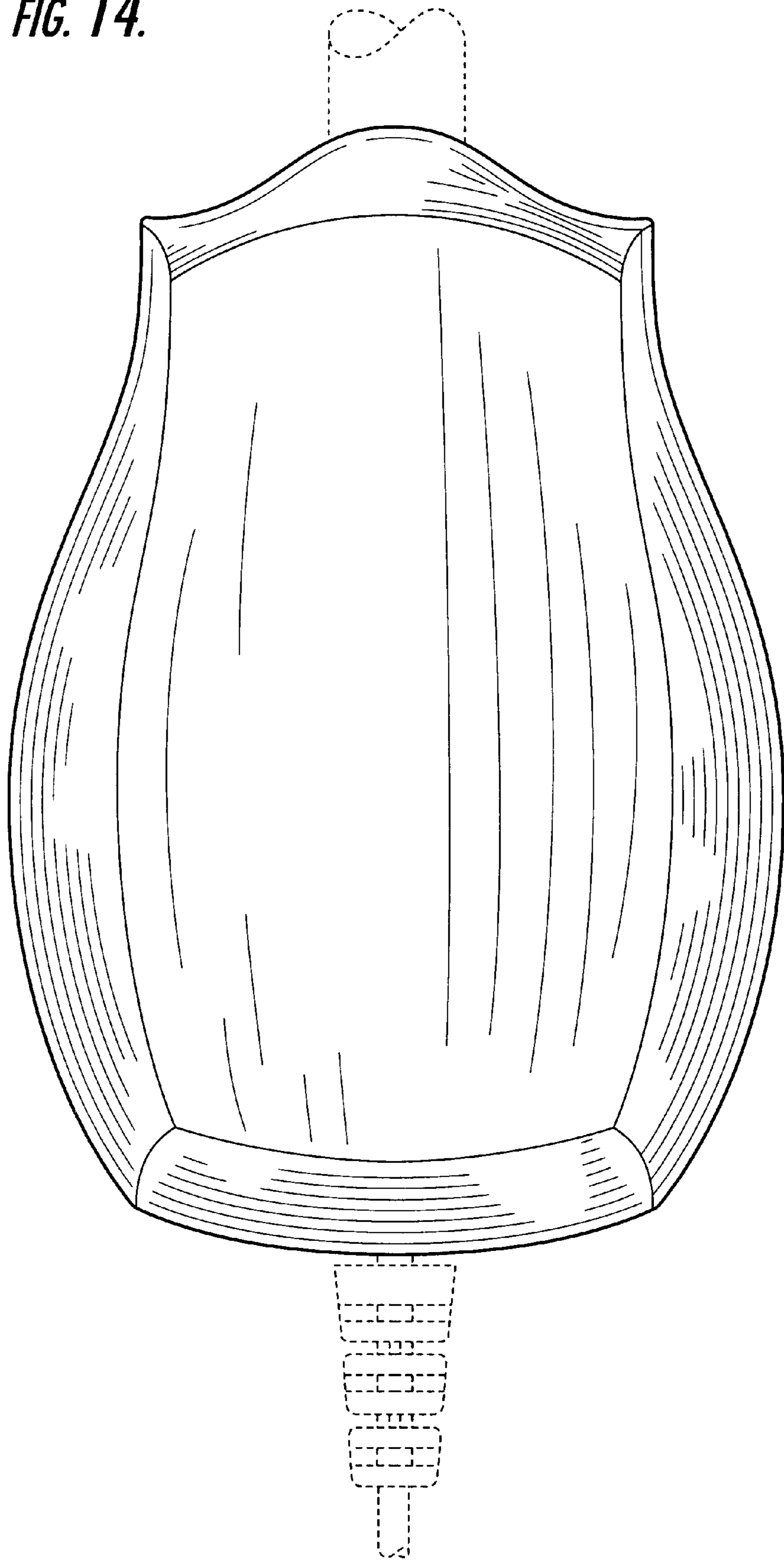


FIG. 15.

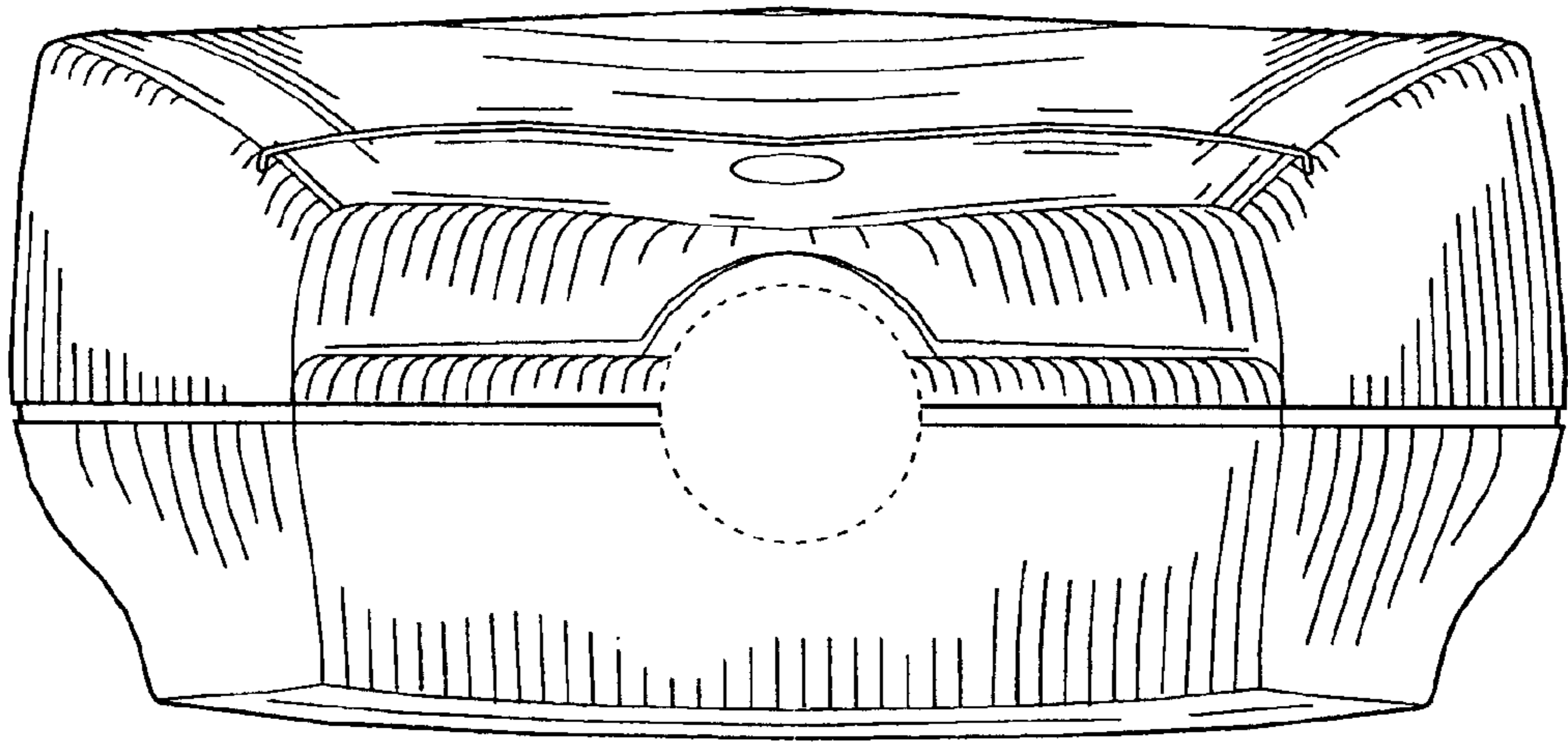


FIG. 16.

