



US00D432523S

**United States Patent** [19]  
**Grinkus et al.**

[11] **Patent Number: Des. 432,523**  
[45] **Date of Patent: \*\* Oct. 24, 2000**

[54] **MUSIC SOURCE CENTRAL CONTROLLER**

[75] Inventors: **John Grinkus**, Randolph; **Louis F. Genatossio**, Shrewsbury, both of Mass.

[73] Assignee: **Bose Corporation**, Framingham, Mass.

[\*\*] Term: **14 Years**

[21] Appl. No.: **29/038,982**

[22] Filed: **May 18, 1995**

[51] **LOC (7) Cl.** ..... **14-01**

[52] **U.S. Cl.** ..... **D14/217; D14/496**

[58] **Field of Search** ..... D9/418, 423; D10/106;  
D13/162, 164, 184; D14/496, 217, 156,  
265, 299; 361/380, 390, 391; 340/825.24,  
825.25, 825.69; 455/347-351; 358/194.1;  
348/734

[56] **References Cited**

**U.S. PATENT DOCUMENTS**

D. 245,701 9/1977 Kinsinger ..... D16/221

D. 307,910 5/1990 Tominaga et al. .... D14/299  
D. 324,687 3/1992 Olson ..... D14/217  
D. 339,806 9/1993 Grinkus ..... D14/217  
4,965,557 10/1990 Schepers et al. .... 358/194.1

*Primary Examiner*—Adir Aronovich  
*Attorney, Agent, or Firm*—Fish & Richardson P.C.

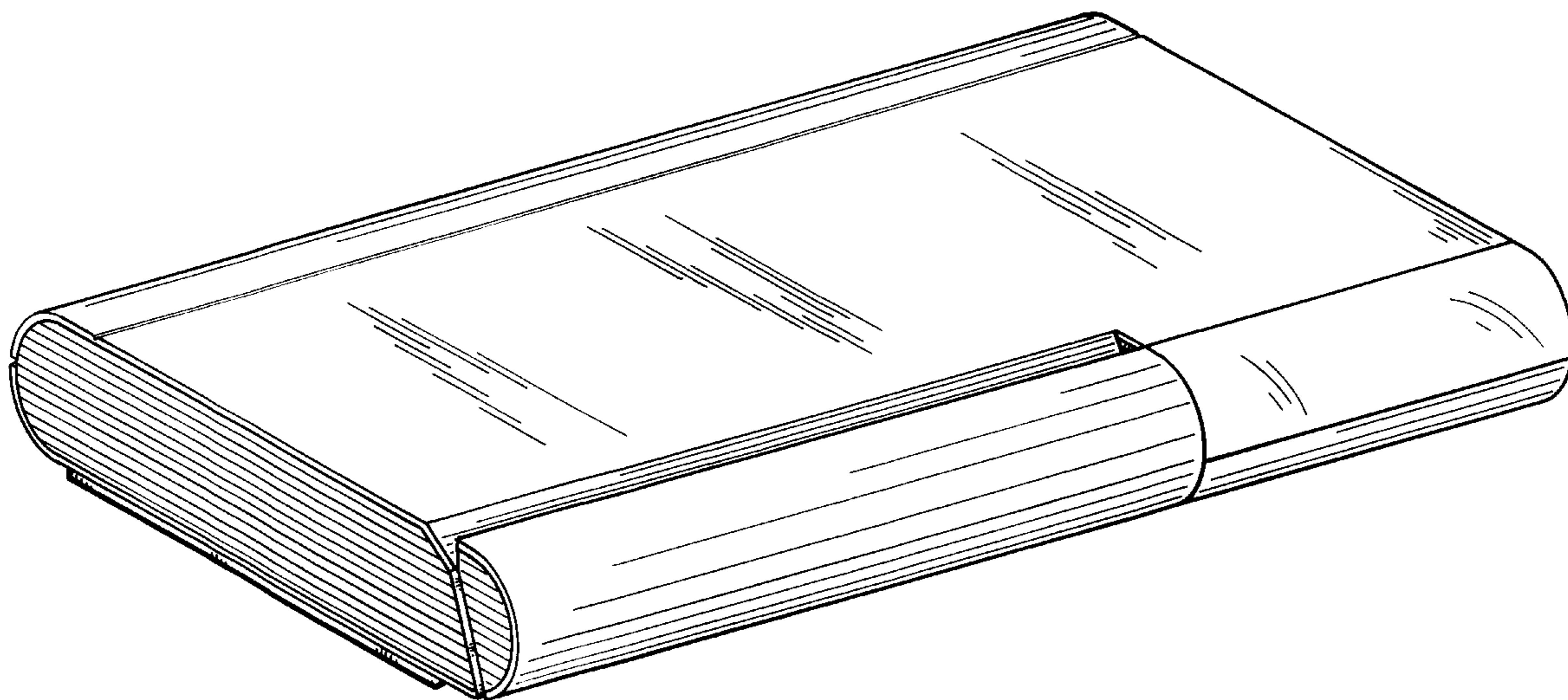
[57] **CLAIM**

The ornamental design for a music source central controller, substantially as shown and described.

**DESCRIPTION**

FIG. 1 is a perspective view of a music source central controller showing the new design;  
FIG. 2 is a top view thereof;  
FIG. 3 is a bottom view thereof;  
FIG. 4 is a front view thereof;  
FIG. 5 is a rear view thereof;  
FIG. 6 is an enlarged right side elevational view thereof;  
FIG. 7 is an enlarged left side elevational view thereof; and,  
FIG. 8 is a perspective view thereof with the front cover elevated to the open position.

**1 Claim, 4 Drawing Sheets**



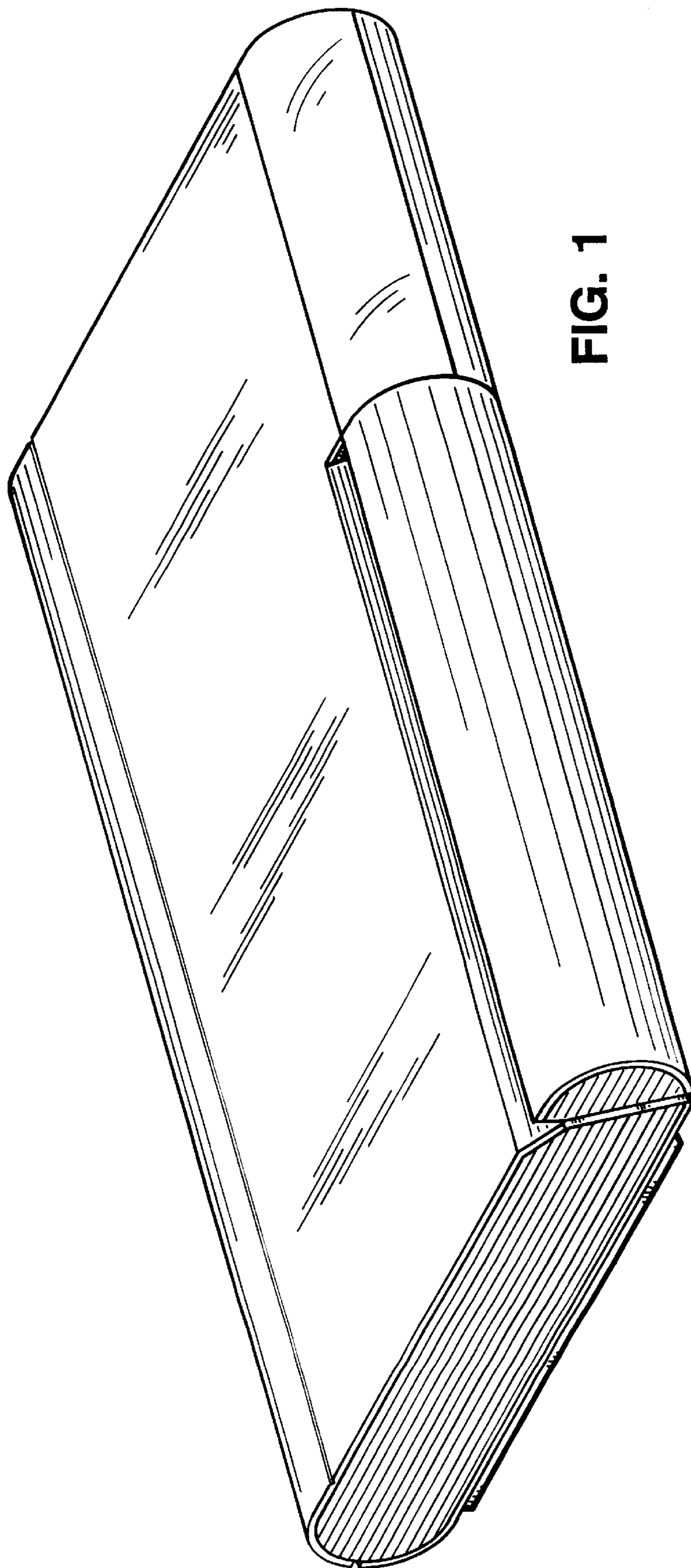


FIG. 1

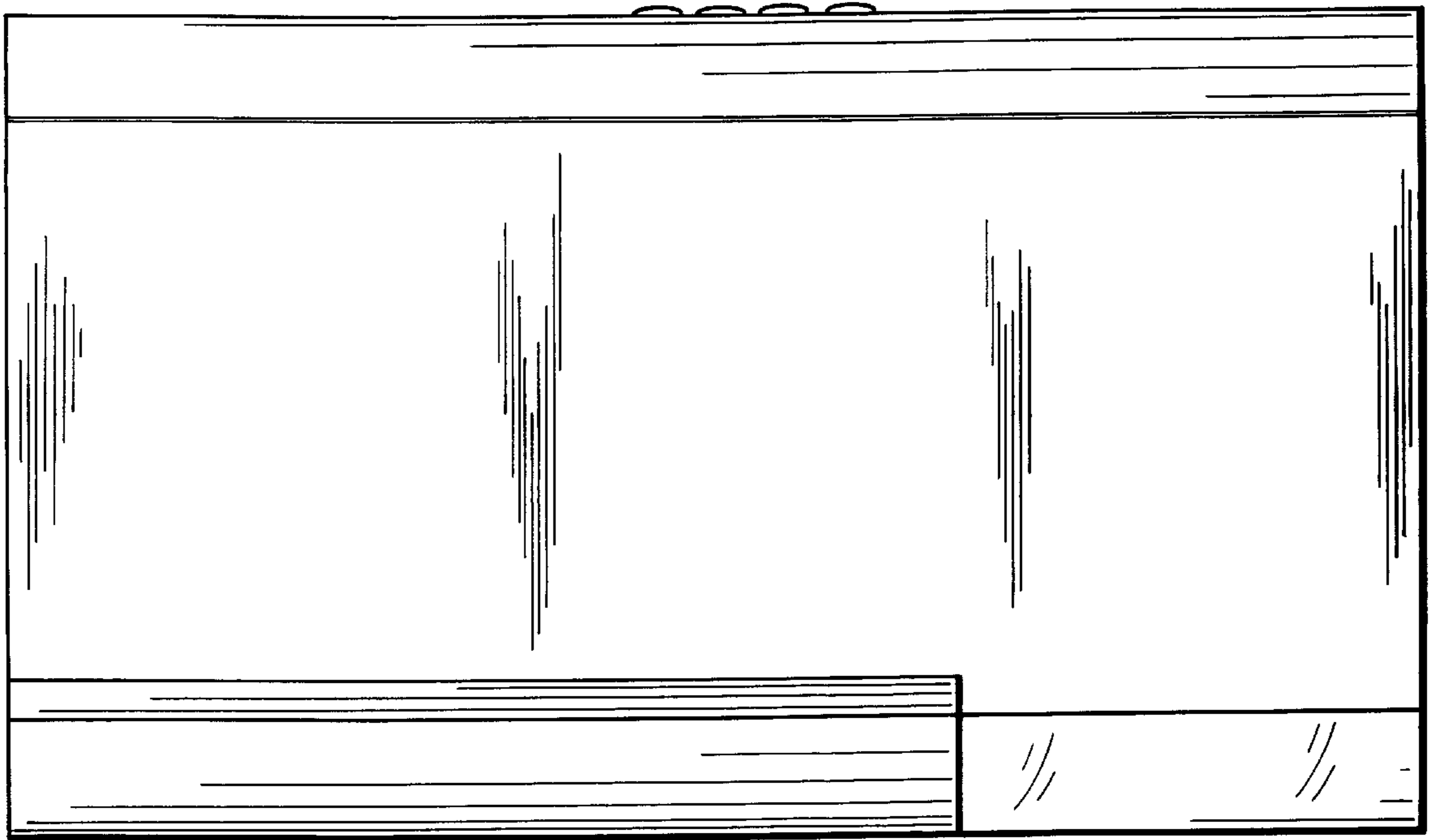


FIG. 2

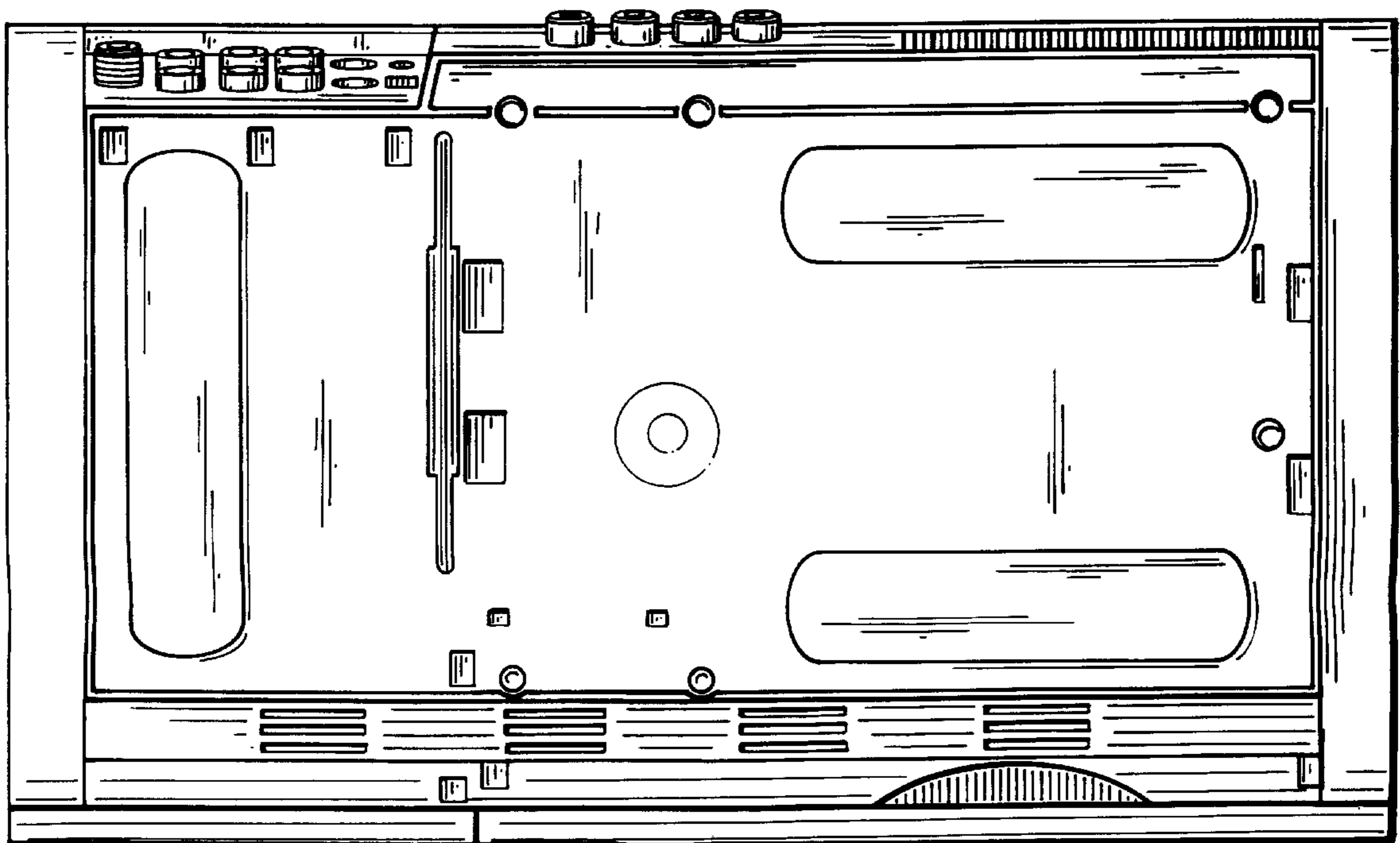


FIG. 3

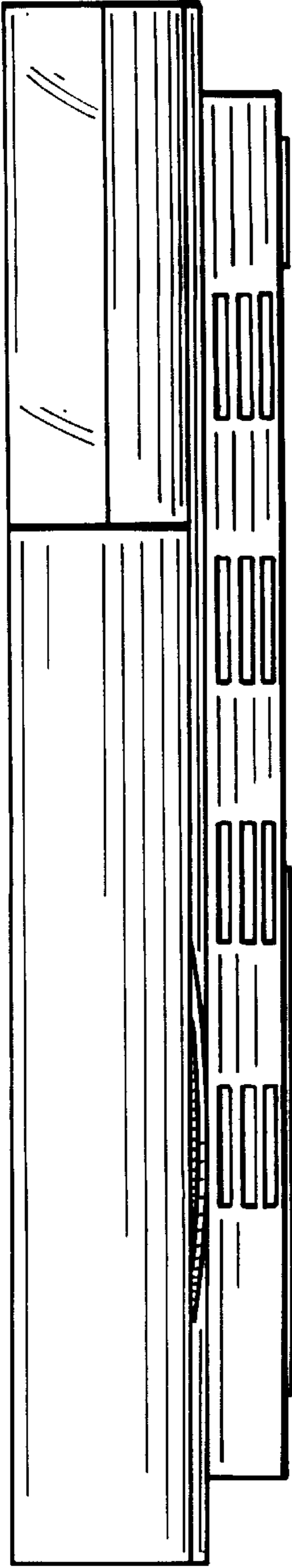


FIG. 4

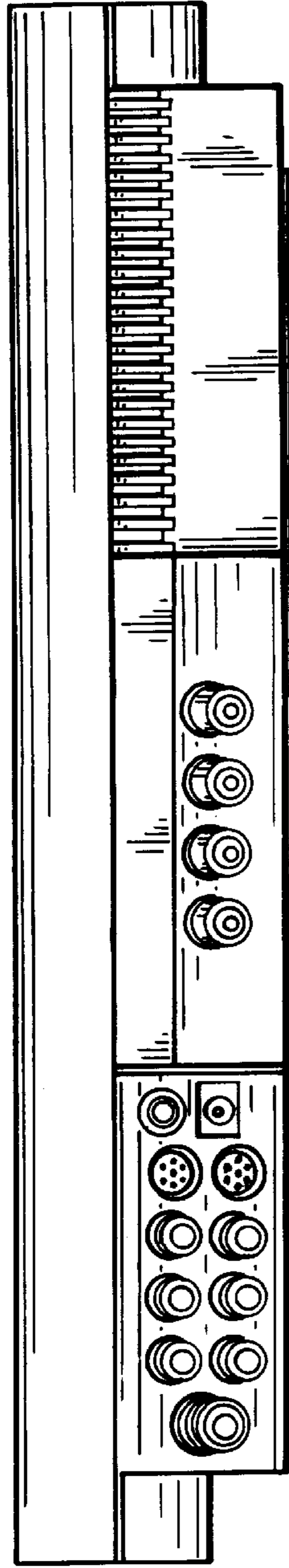


FIG. 5

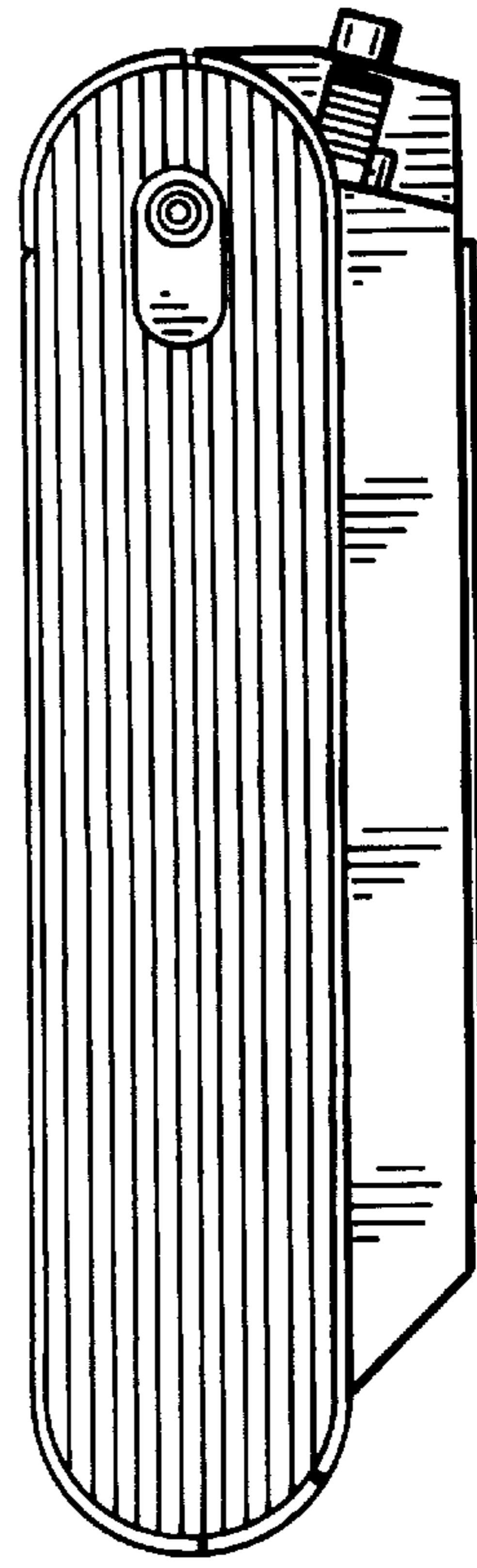


FIG. 7

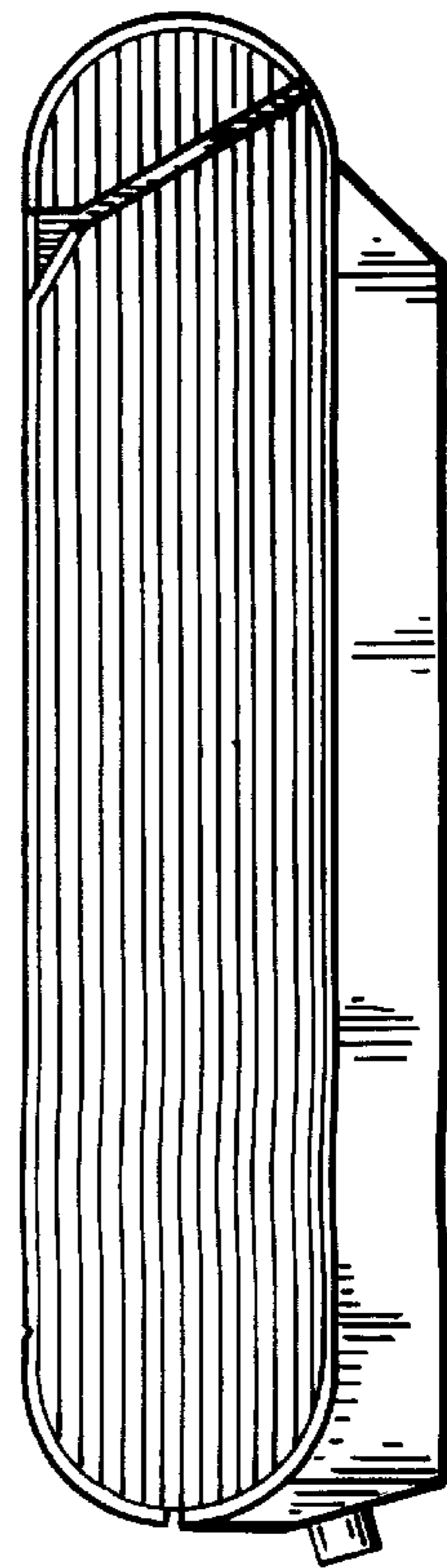


FIG. 6



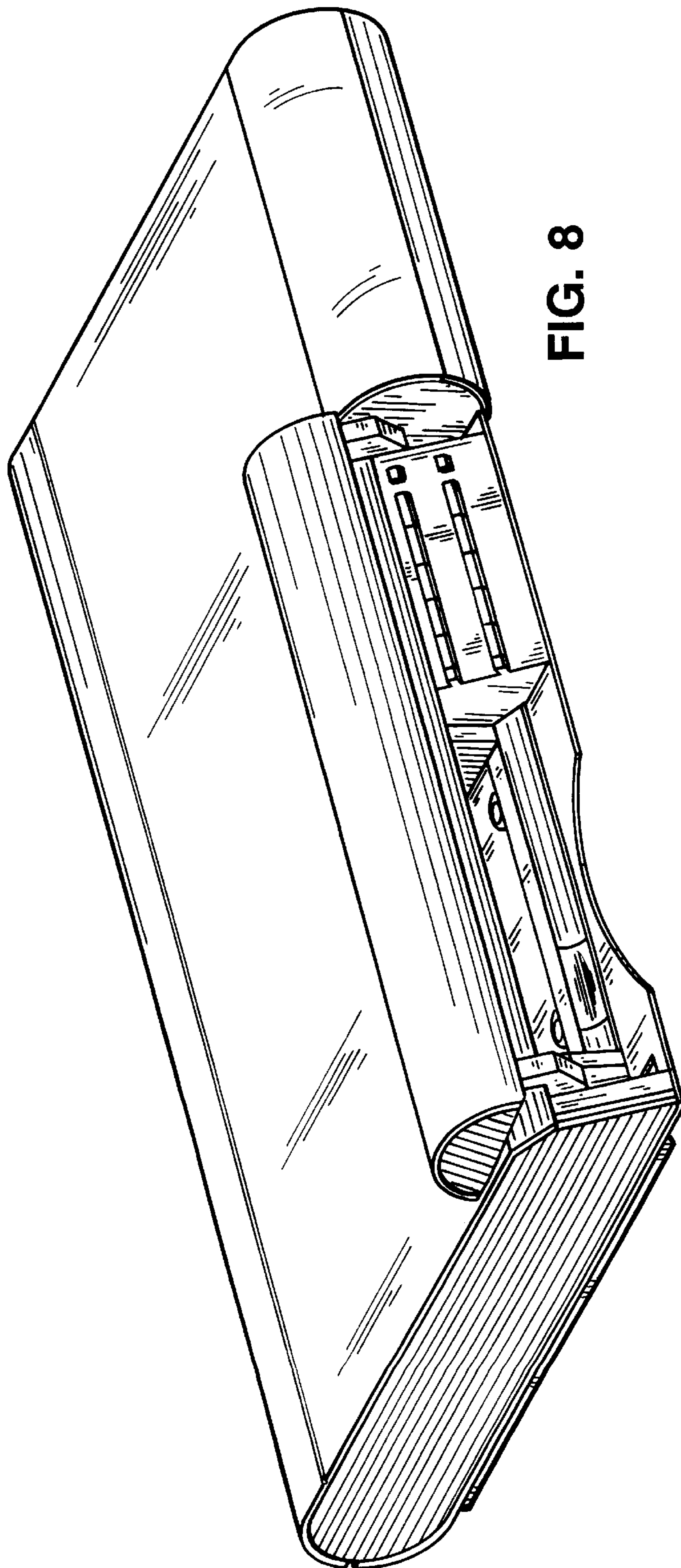


FIG. 8