



US00D432520S

# United States Patent [19] Chiu

[11] **Patent Number: Des. 432,520**

[45] **Date of Patent: \*\* Oct. 24, 2000**

[54] **CORDLESS MICROPHONE RECEIVER**

[75] Inventor: **Jackson Chiu**, Taipei Hsien, Taiwan

[73] Assignee: **Yeun Yah Industrial Co., Ltd.**, Taipei Hsien, Taiwan

[\*\*] Term: **14 Years**

[21] Appl. No.: **29/116,893**

[22] Filed: **Jan. 13, 2000**

[51] **LOC (7) Cl.** ..... **14-03**

[52] **U.S. Cl.** ..... **D14/188**

[58] **Field of Search** ..... D14/124, 155,  
D14/172, 188, 217, 225-229, 265, 299;  
181/158, 242; 381/26, 28, 92, 95, 369;  
455/344, 347, 350-351

[56] **References Cited**

**U.S. PATENT DOCUMENTS**

- D. 280,096 8/1985 Meister ..... D14/226
- D. 340,455 10/1993 Christian ..... D14/217

- D. 341,593 11/1993 Chang ..... D14/229
- D. 347,004 5/1994 Beaumont et al. .... D14/188 X
- D. 403,328 12/1998 Wakefield ..... D14/229
- D. 412,705 8/1999 Laiacona et al. .... D14/214 X
- 2,224,974 12/1940 Lybarger ..... 181/158

*Primary Examiner*—Nanda Bondade  
*Attorney, Agent, or Firm*—Bacon & Thomas

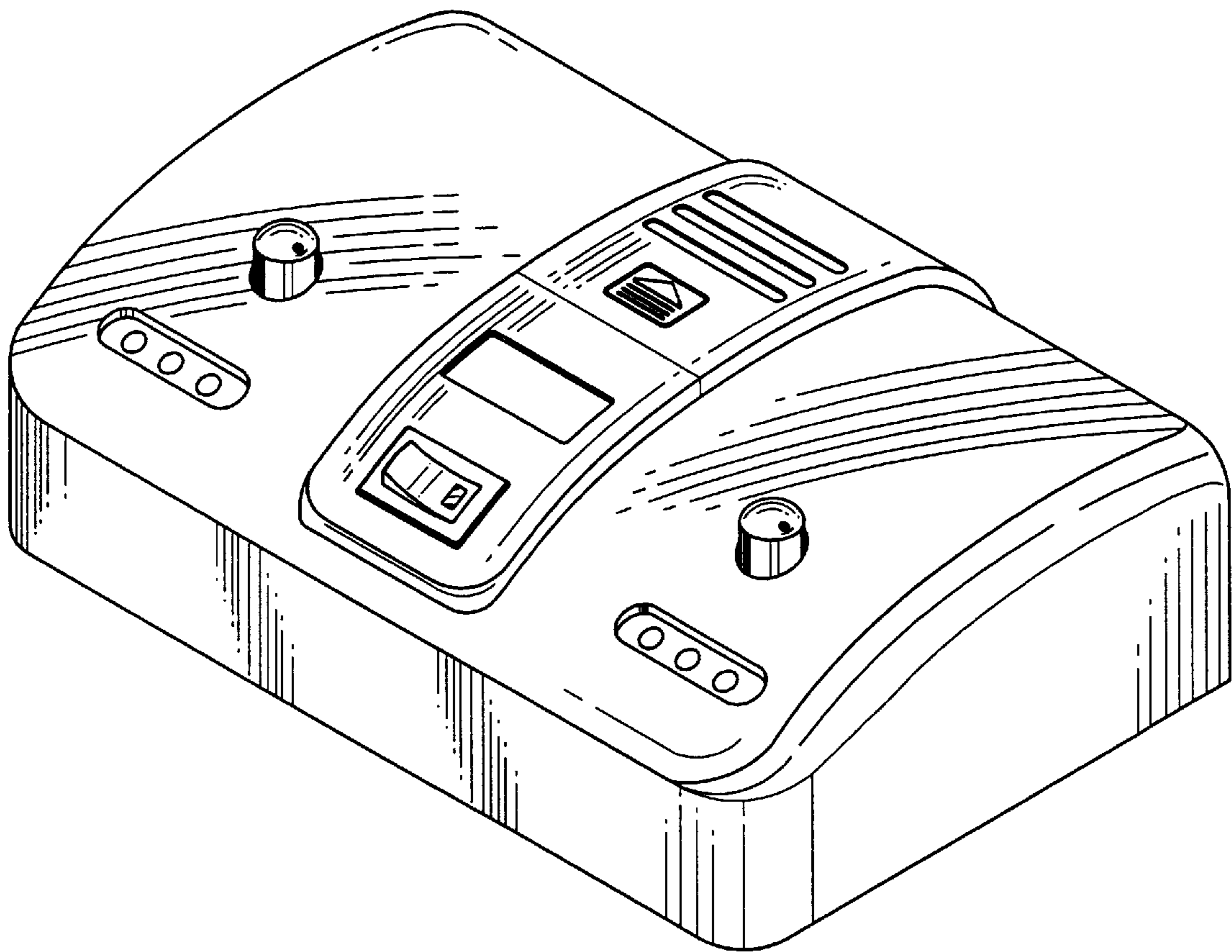
[57] **CLAIM**

The ornamental design for cordless microphone receiver, as shown and described.

**DESCRIPTION**

FIG. 1 is a perspective view of cordless microphone receiver showing my new design thereof;  
FIG. 2 is the right side elevational view thereof;  
FIG. 3 is a top plan view thereof;  
FIG. 4 is a front elevational view thereof;  
FIG. 5 is a bottom plan view thereof;  
FIG. 6 is a left side elevational view; and,  
FIG. 7 is a rear elevational view thereof.

**1 Claim, 4 Drawing Sheets**



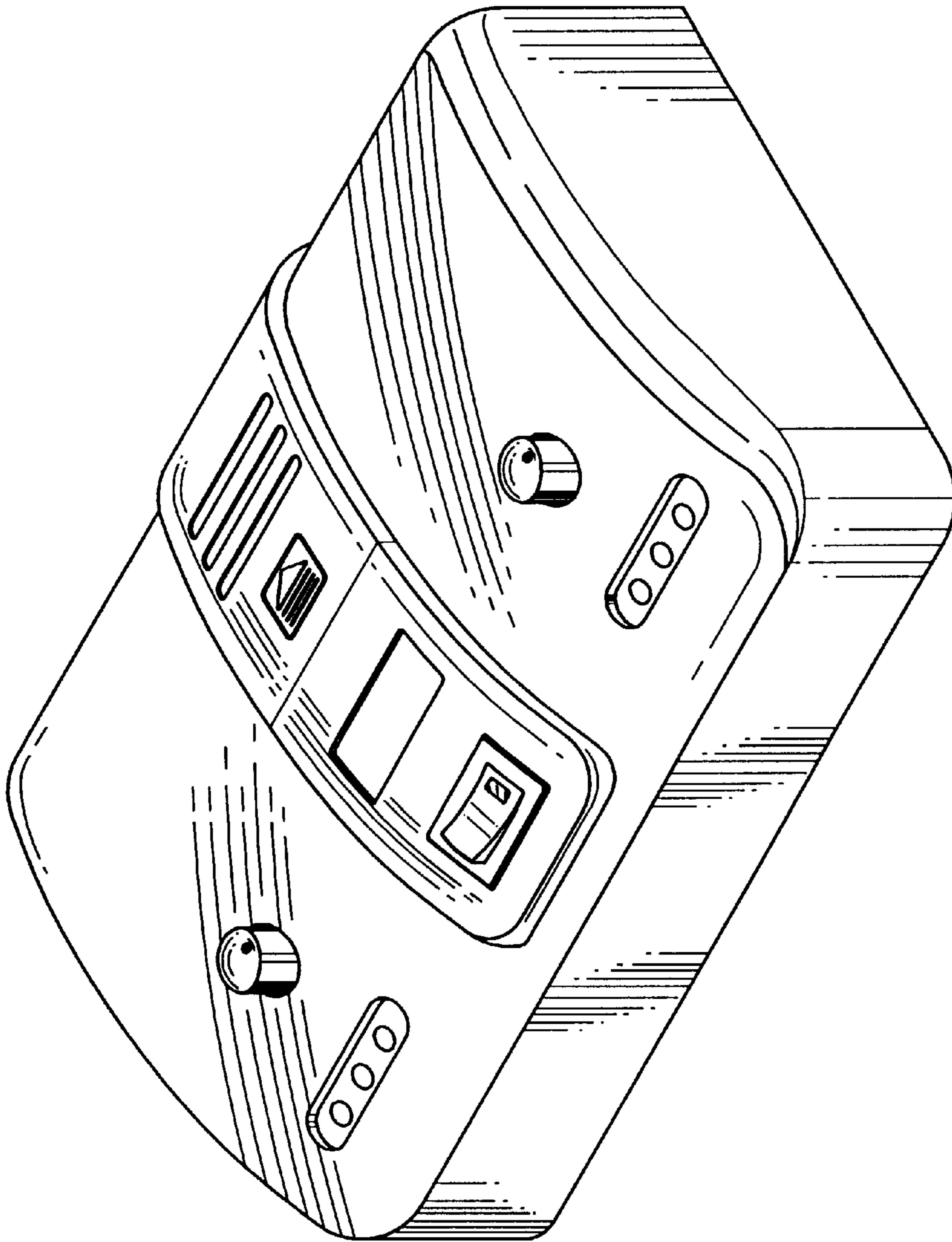


Fig. 1

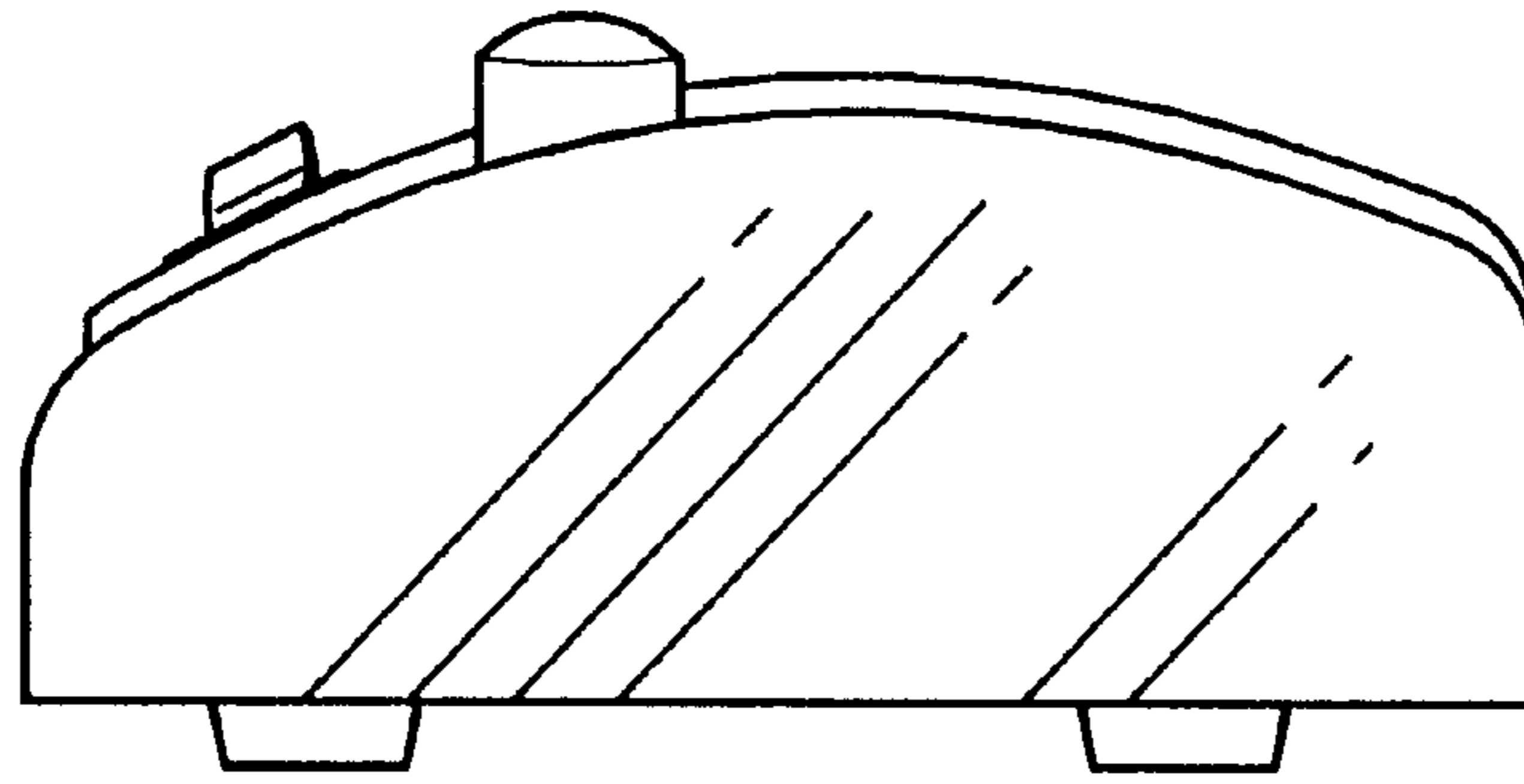


Fig. 2

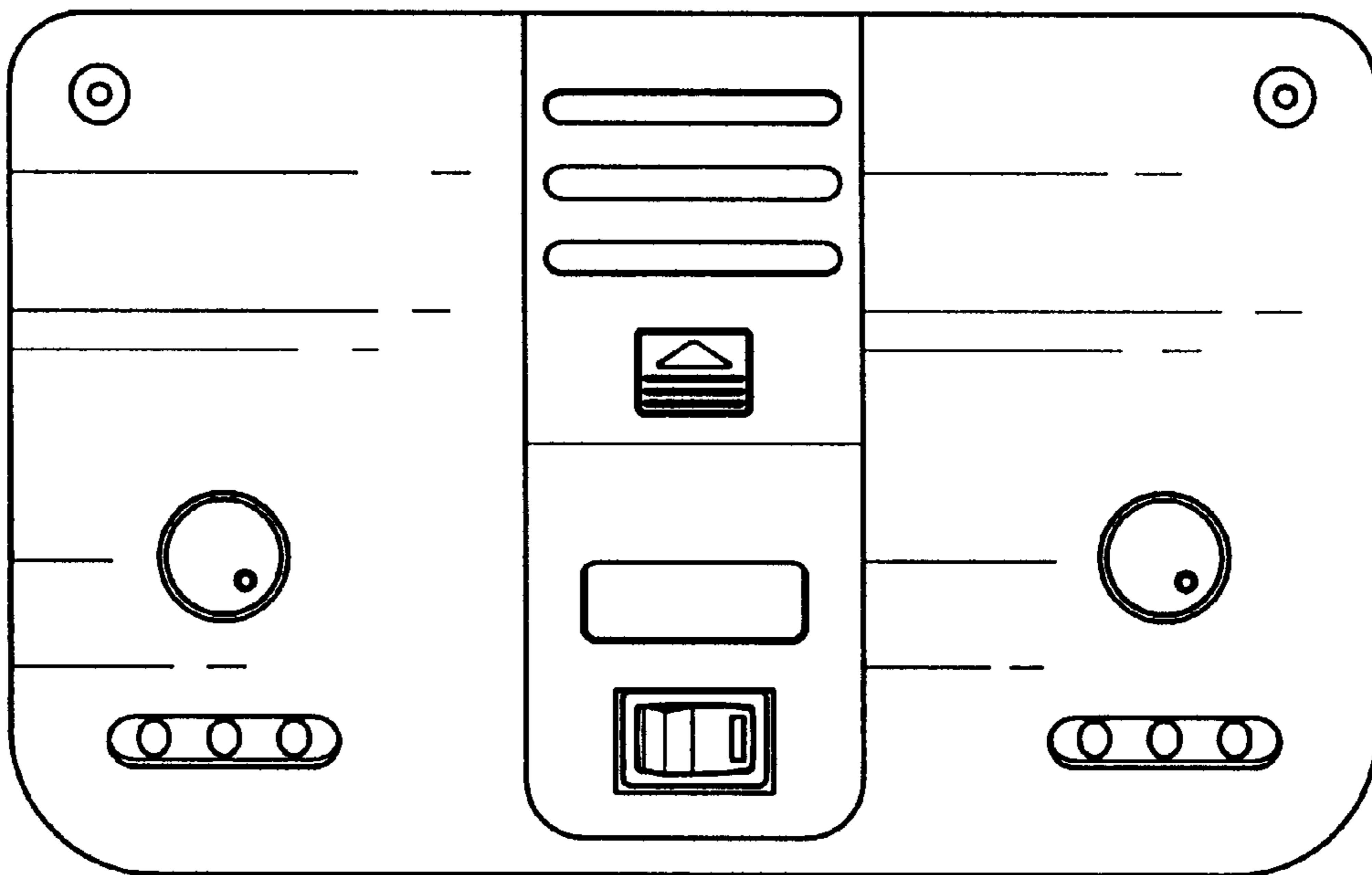


Fig. 3

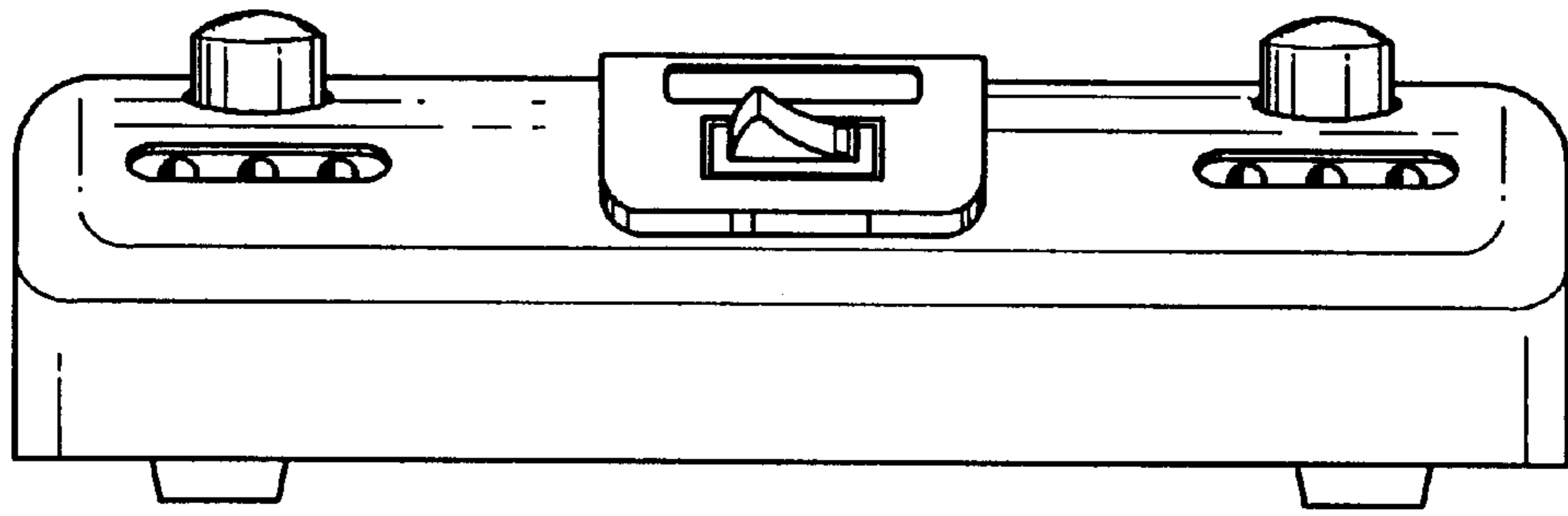


Fig. 4

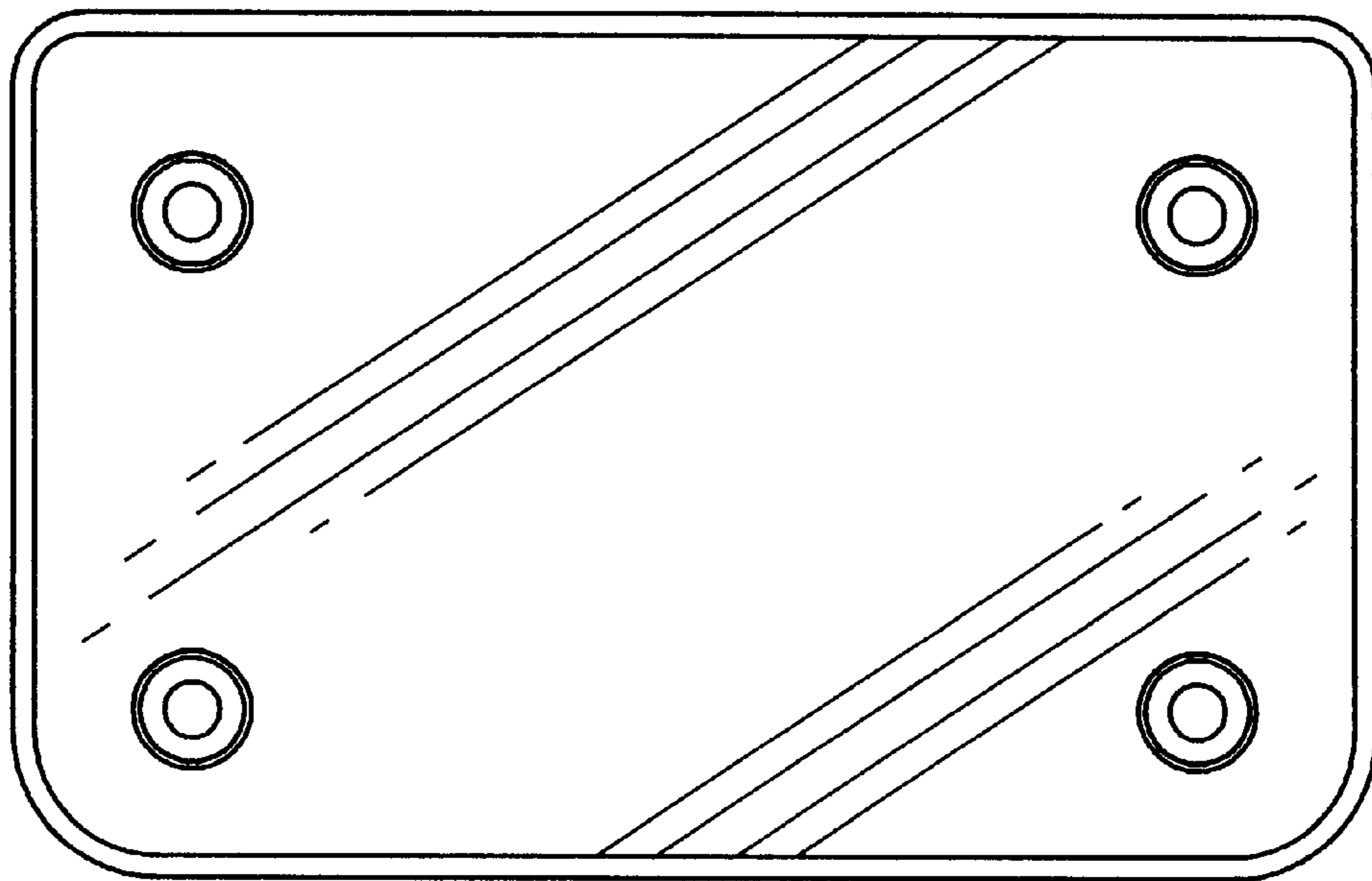


Fig. 5

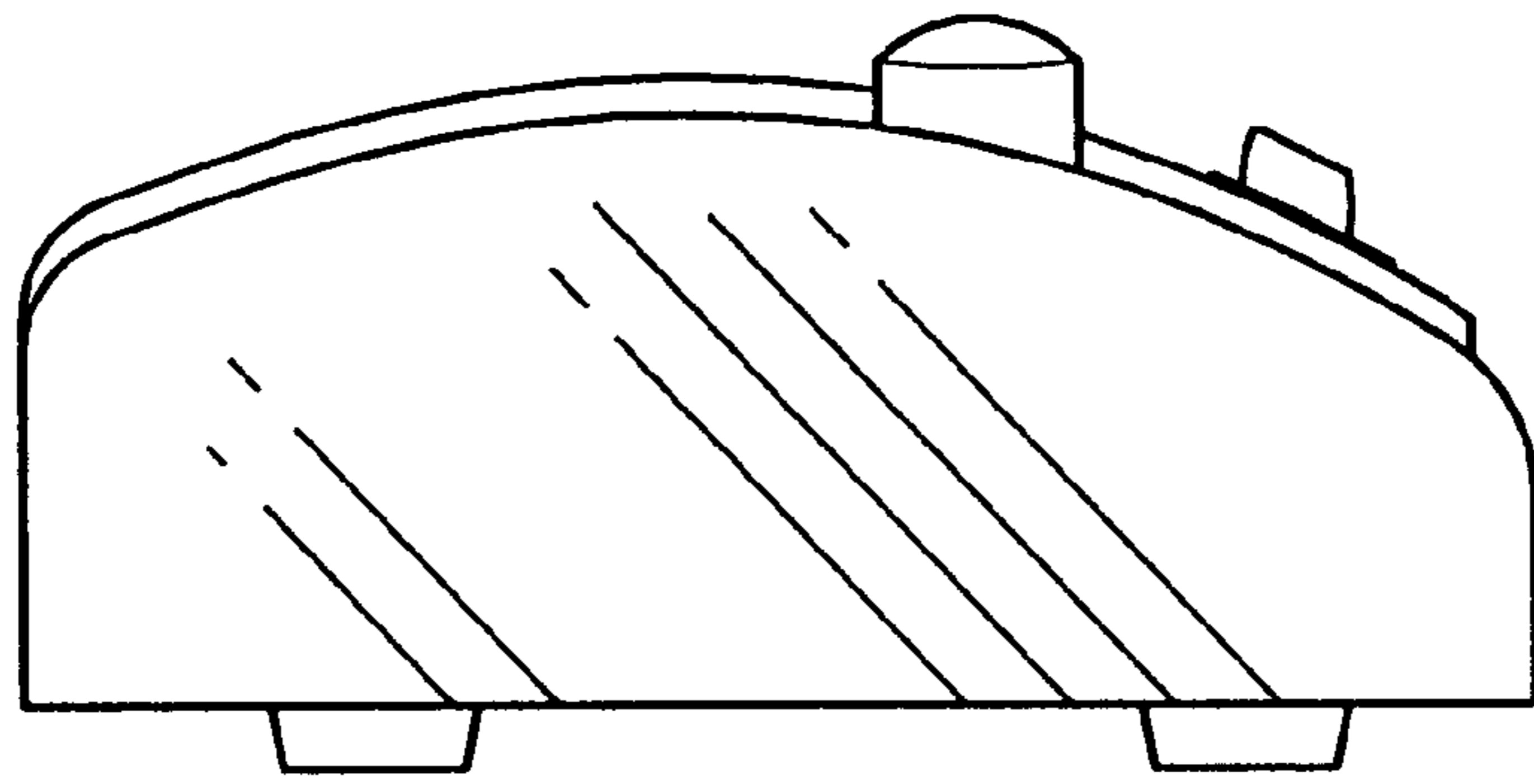


Fig. 6

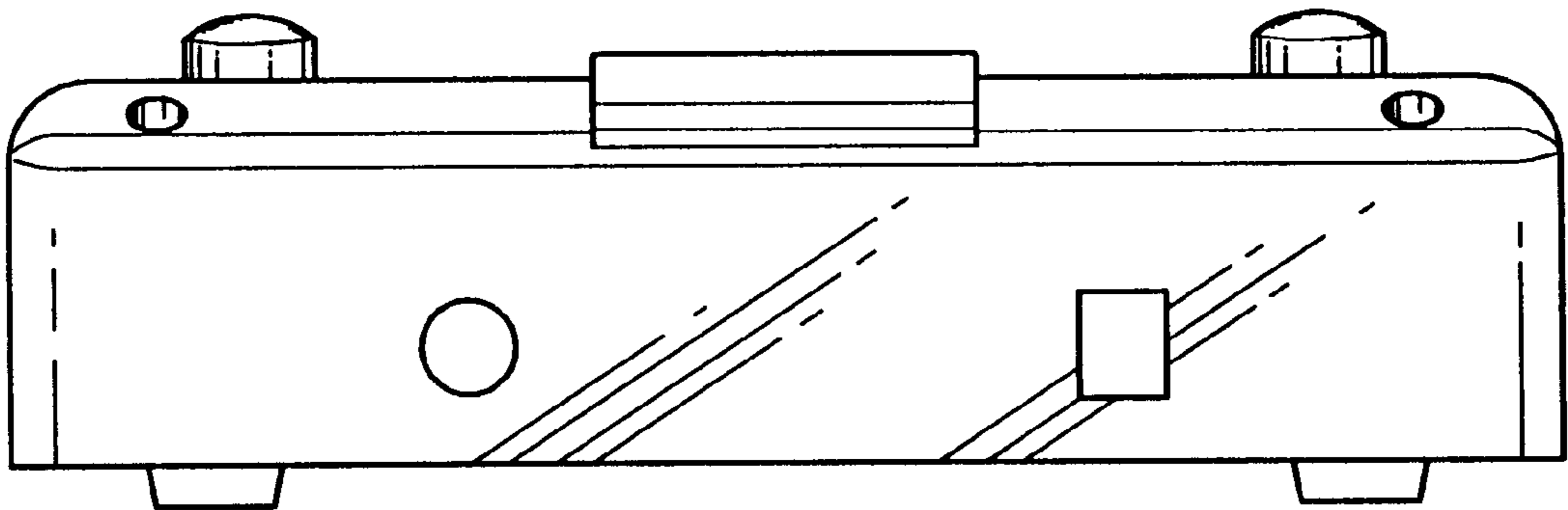


Fig. 7