



US00D432519S

# United States Patent [19]

Yamaoka et al.

[11] Patent Number: **Des. 432,519**

[45] Date of Patent: **\*\* Oct. 24, 2000**

[54] **LOUDSPEAKER WITH AMPLIFIER**

[75] Inventors: **Kazuhiko Yamaoka; Kenji Ide; Morio Mizuno; Yuktaka Naritomi**, all of Osaka-fu; **Mitsuaki Kanada**, Tokyo, all of Japan

[73] Assignee: **NEC Corporation**, Tokyo, Japan

[\*\*] Term: **14 Years**

[21] Appl. No.: **29/114,577**

[22] Filed: **Nov. 30, 1999**

[30] **Foreign Application Priority Data**

Jun. 2, 1999 [JP] Japan ..... 11-14414

[51] **LOC (7) Cl.** ..... **14-01**

[52] **U.S. Cl.** ..... **D14/172; D14/188; D14/214; D14/216**

[58] **Field of Search** ..... D14/172, 204, D14/210-216, 219, 188, 193-198; 181/144-148, 150, 152, 198-199; 381/89, 182, 300-302, 307, 359, 361, 386, 395

[56] **References Cited**

**U.S. PATENT DOCUMENTS**

D. 315,736 3/1991 Takagi ..... D14/172

- D. 348,672 7/1994 Falkner et al. .... D14/215
- D. 401,584 11/1998 Lewis ..... D14/216 X
- D. 416,259 11/1999 Hoyt et al. .... D14/214
- D. 416,900 11/1999 Yamada ..... D14/214 X

*Primary Examiner*—Nanda Bondade  
*Attorney, Agent, or Firm*—Sughrue, Mion, Zinn, Macpeak & Seas, PLLC

[57] **CLAIM**

The ornamental design for a loudspeaker with amplifier, as shown.

**DESCRIPTION**

FIG. 1 is a perspective view of the top, front and right side of a loudspeaker with amplifier showing our new design; FIG. 2 is a perspective view of the top, rear and left side thereof; FIG. 3 is a front elevational view thereof; FIG. 4 is a rear elevational view thereof; FIG. 5 is a right side elevational view thereof; FIG. 6 is a left side elevational view thereof; FIG. 7 is a top plan view thereof; and, FIG. 8 is a bottom plan view thereof.

**1 Claim, 5 Drawing Sheets**

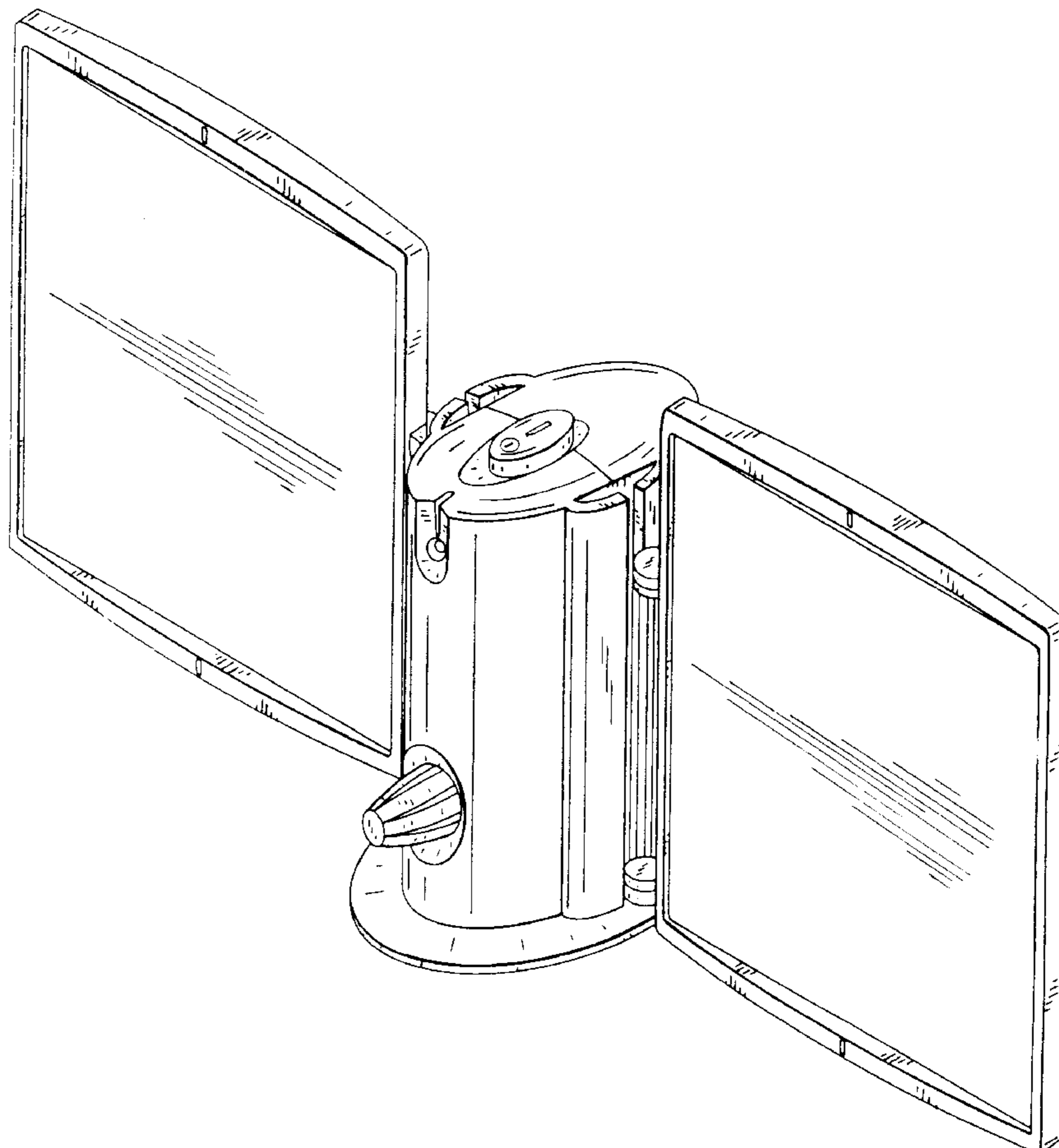


FIG. 1

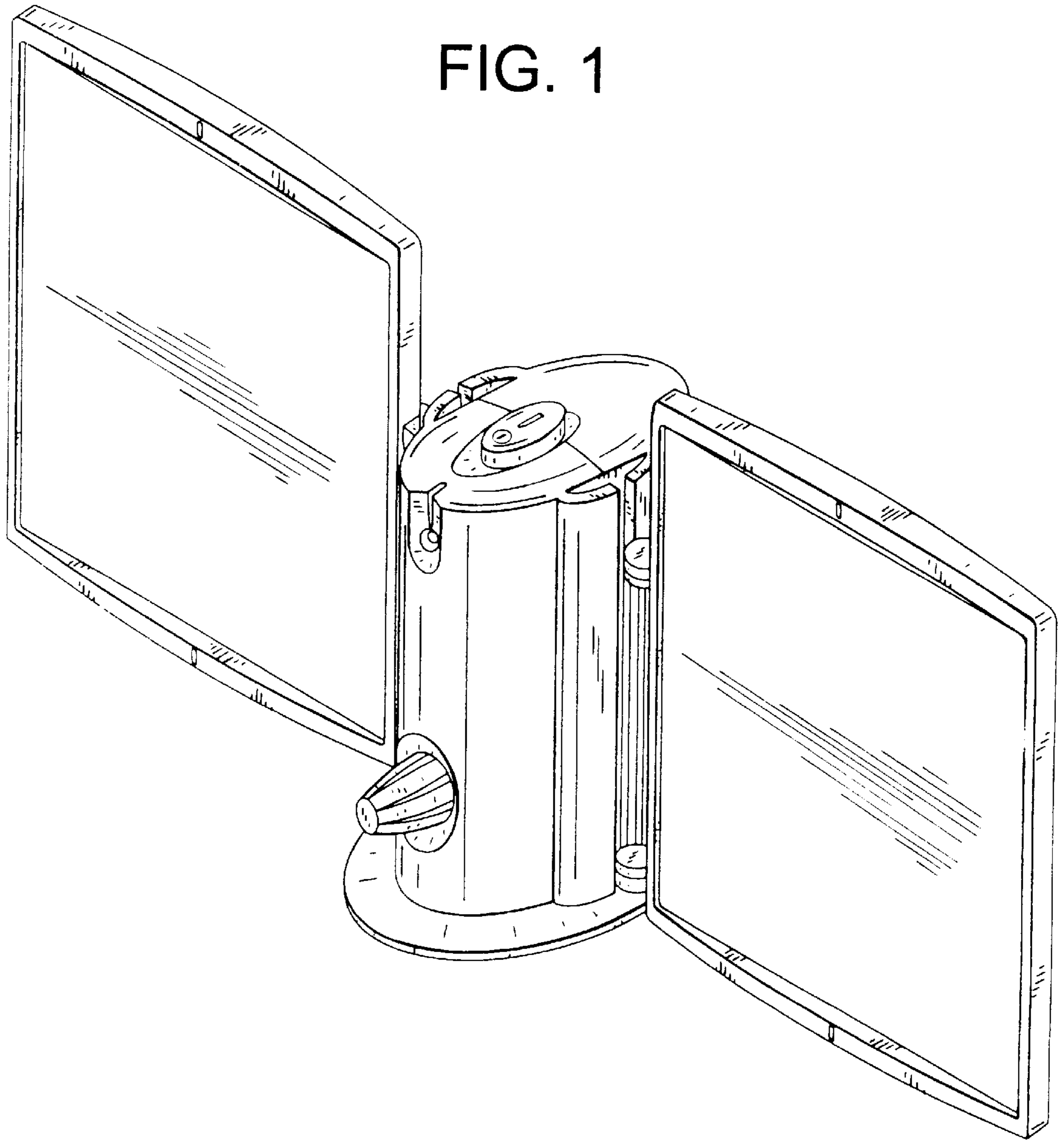


FIG. 2

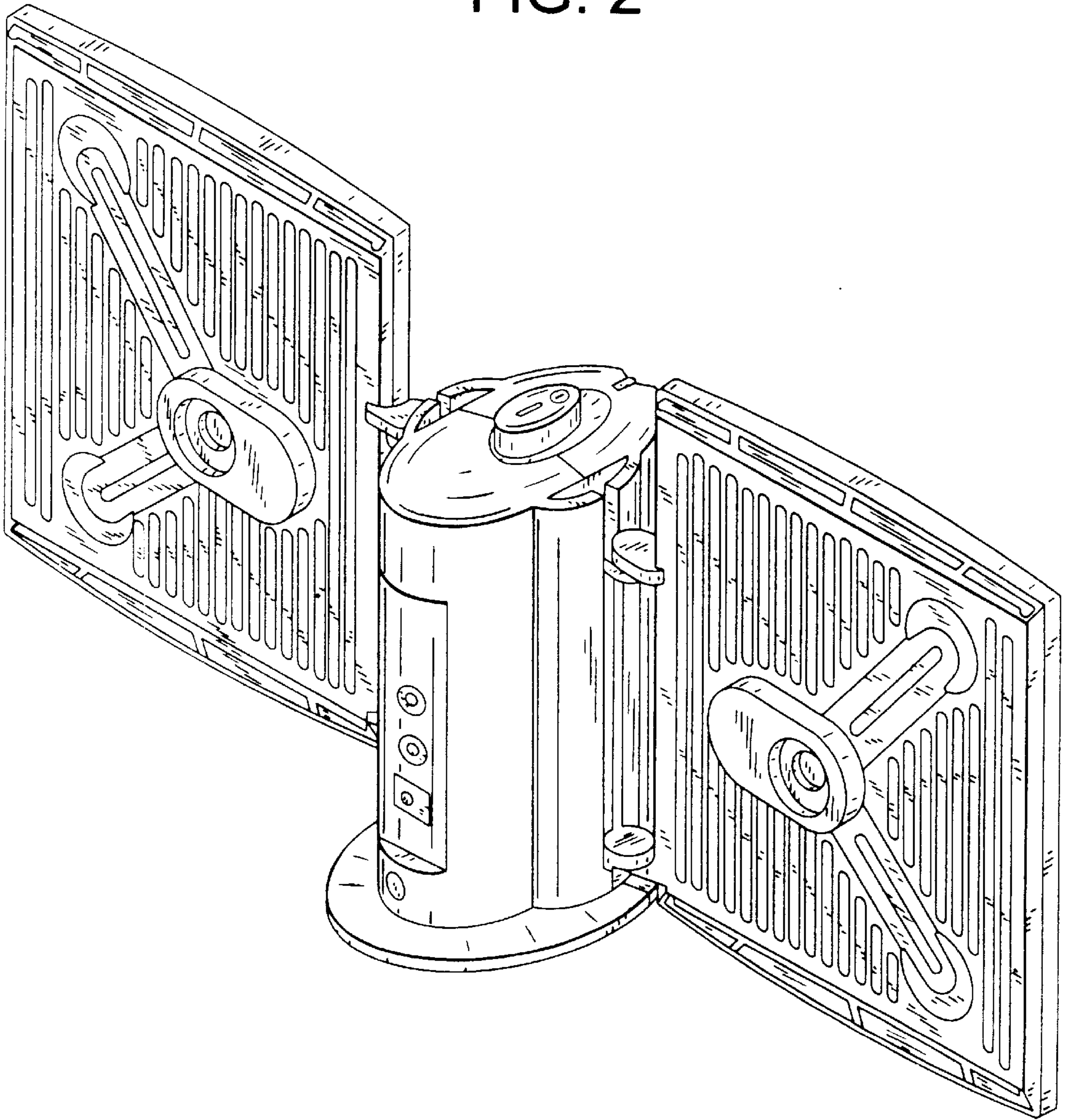


FIG. 3

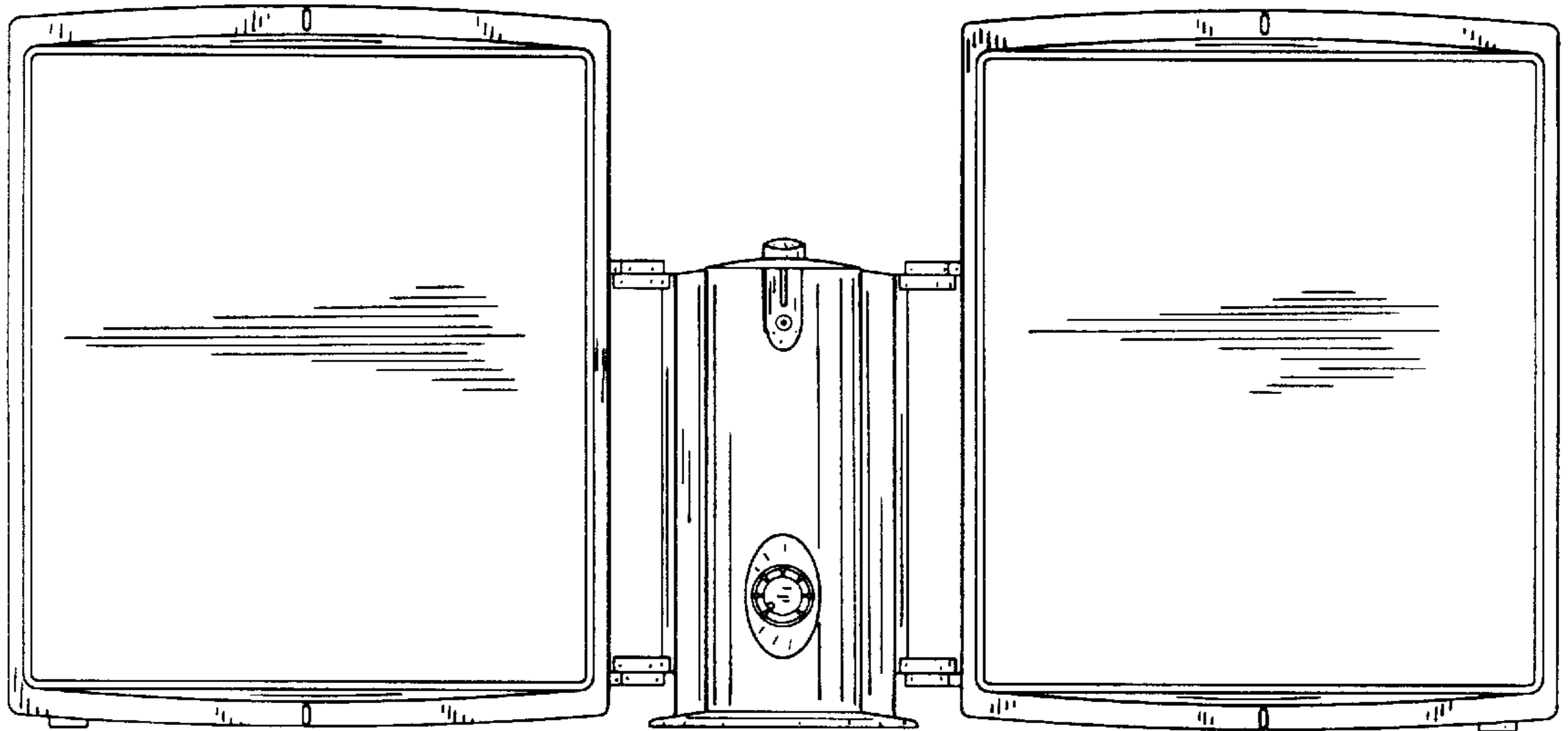


FIG. 4

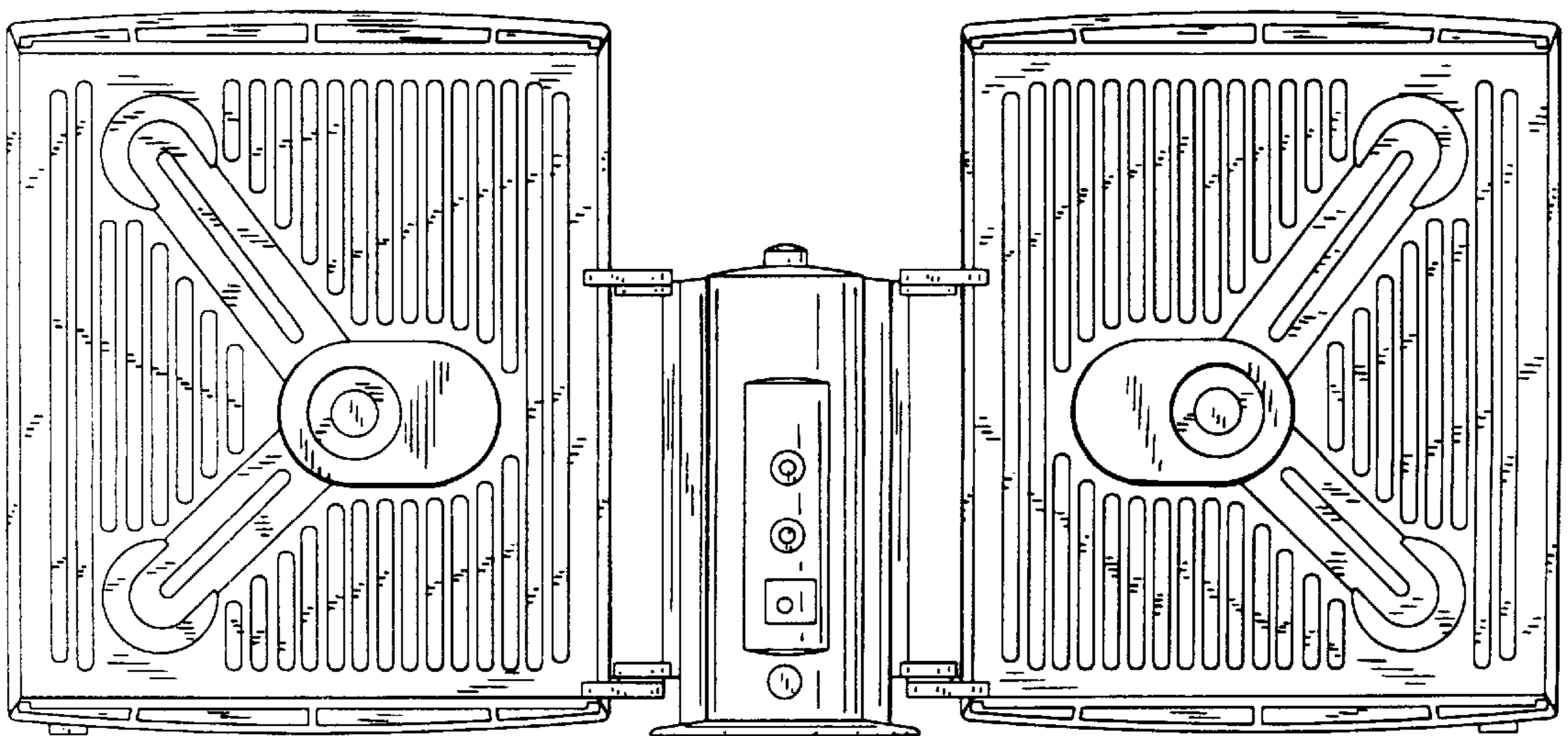


FIG. 5

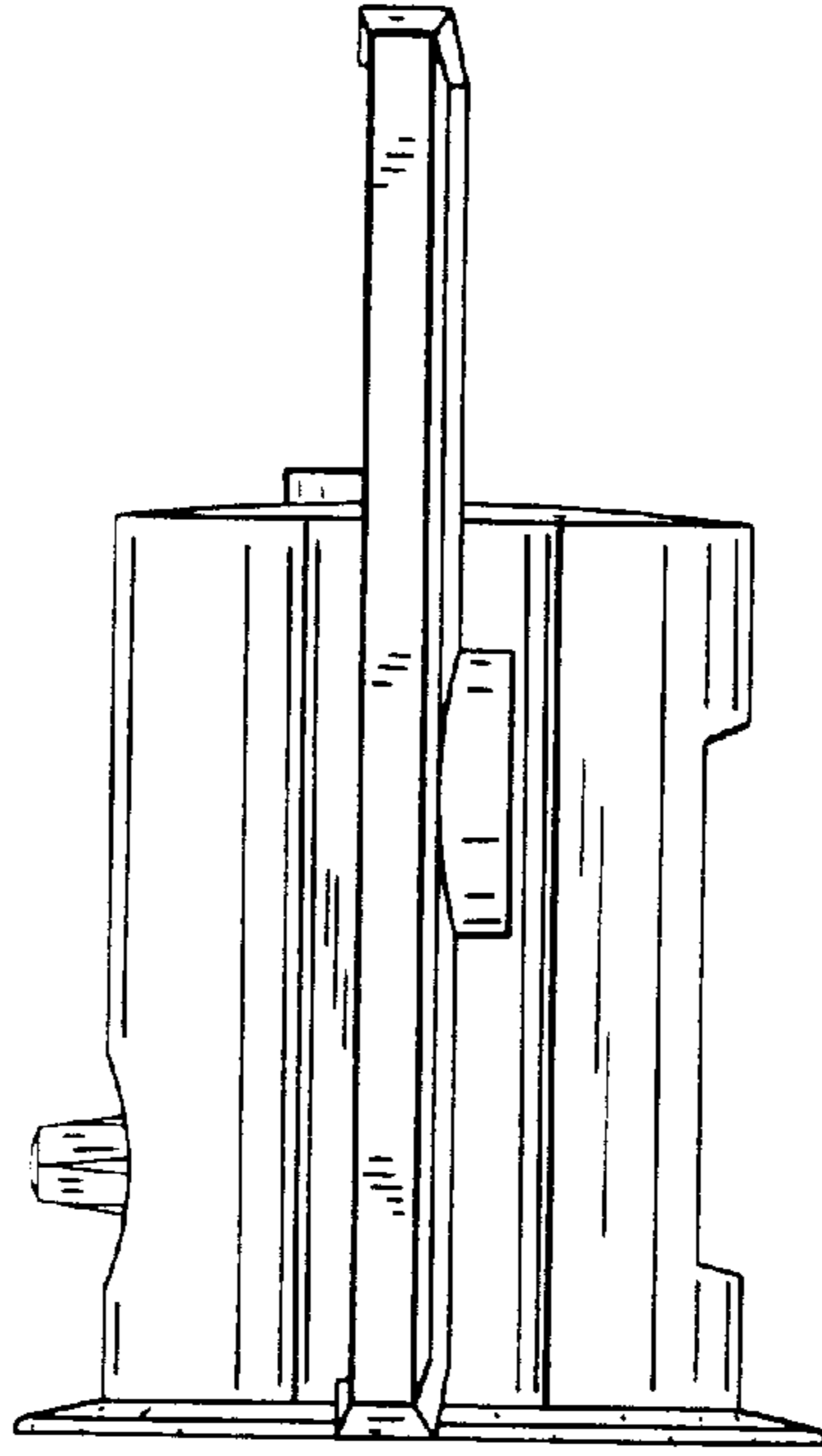


FIG. 6

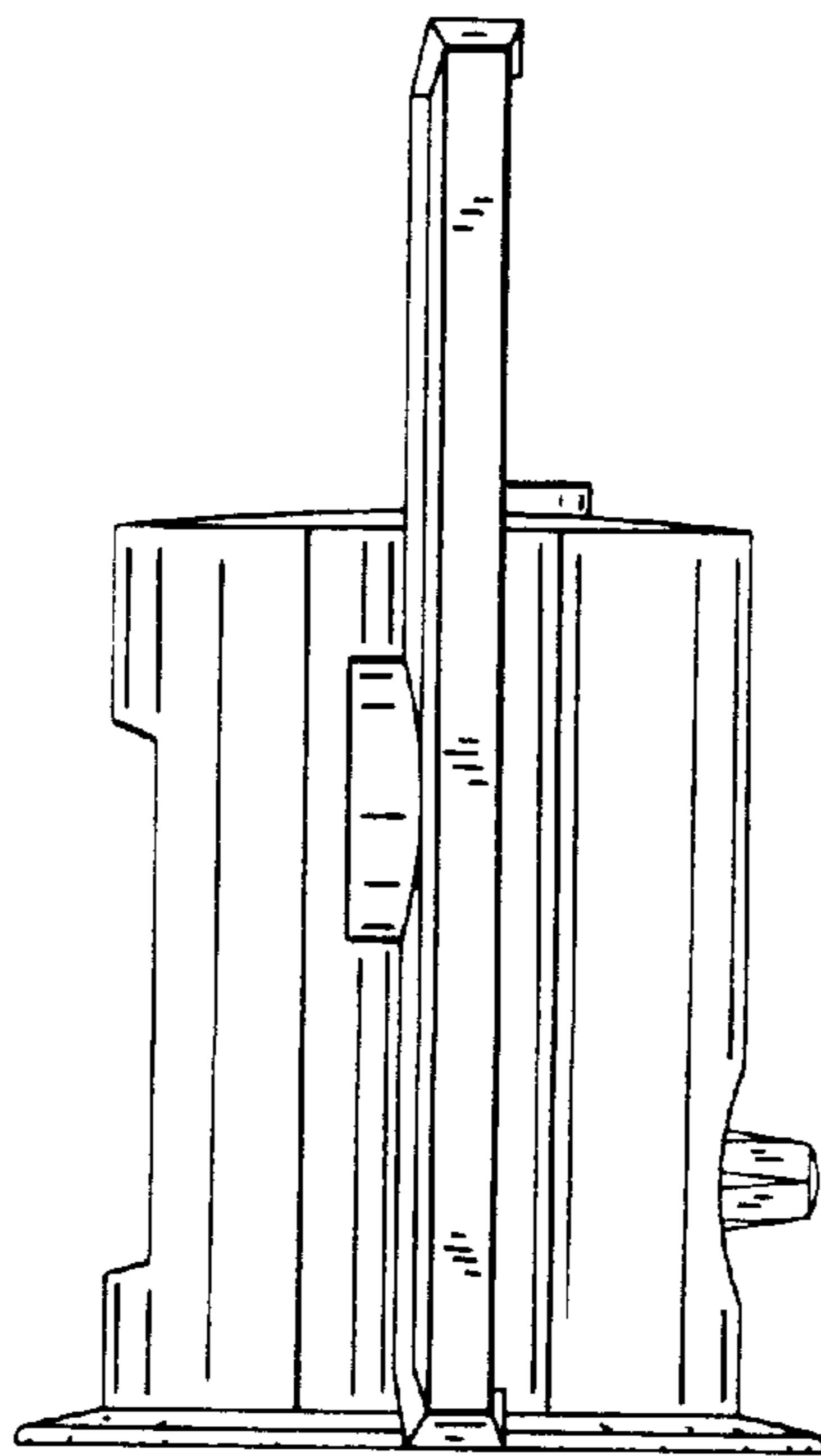


FIG. 7

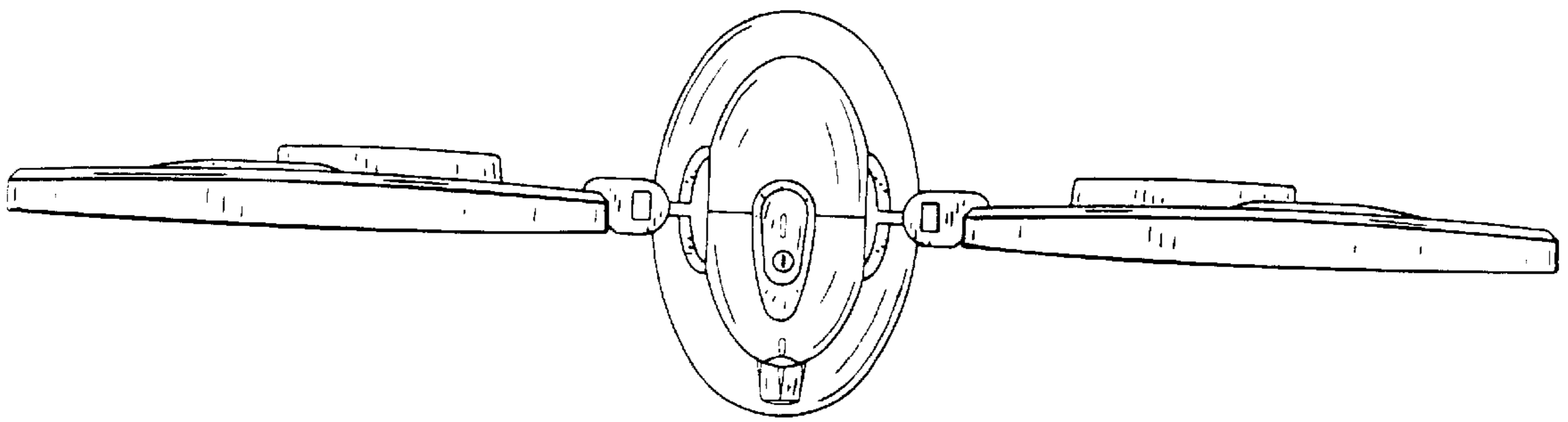


FIG. 8

