



US00D432514S

# United States Patent [19]

Nakamura et al.

[11] Patent Number: Des. 432,514

[45] Date of Patent: \*\* Oct. 24, 2000

## [54] DISC PLAYER

[75] Inventors: **Mitsuhiro Nakamura; Satoshi Suzuki**, both of Tokyo, Japan

[73] Assignee: **Sony Corporation**, Japan

[\*\*] Term: **14 Years**

[21] Appl. No.: **29/110,954**

[22] Filed: **Sep. 15, 1999**

### [30] Foreign Application Priority Data

Apr. 9, 1999 [JP] Japan ..... 11-9339

[51] LOC (7) Cl. .... **14-01**

[52] U.S. Cl. .... **D14/156**

[58] Field of Search ..... D14/135-136, D14/156-157, 160, 167, 168; 369/75.1, 75.2, 77.1, 77.2

### [56] References Cited

#### U.S. PATENT DOCUMENTS

- D. 315,159 3/1991 Hino ..... D14/168 X
- D. 349,496 8/1994 Sato ..... D14/156
- D. 384,057 9/1997 Lee et al. .... D14/136 X
- D. 399,506 10/1998 Takahashi et al. .... D14/156
- D. 400,876 11/1998 Masamitsu ..... D14/156
- D. 409,608 5/1999 Masamitsu ..... D14/156
- 5,642,344 6/1997 Yamada et al. .... 369/77.2
- 5,654,846 8/1997 Wicks et al. .... 369/75.1 X

#### FOREIGN PATENT DOCUMENTS

1040386 6/1999 Japan .

## OTHER PUBLICATIONS

Catalog "87"; Sony; Nov. 1997; pp. 70-73.

Catalog "91"; Sony; Mar. 1998; p. 62.

*Primary Examiner*—Nanda Bondade  
*Attorney, Agent, or Firm*—Rader, Fishman & Grauer

## [57] CLAIM

The ornamental design for a disc player, as shown and described.

## DESCRIPTION

FIG. 1 is a perspective view of a first embodiment of a disc player showing our new design;

FIG. 2 is a top plan view thereof;

FIG. 3 is a bottom plan view thereof;

FIG. 4 is a left side elevational view thereof;

FIG. 5 is a right side elevational view thereof;

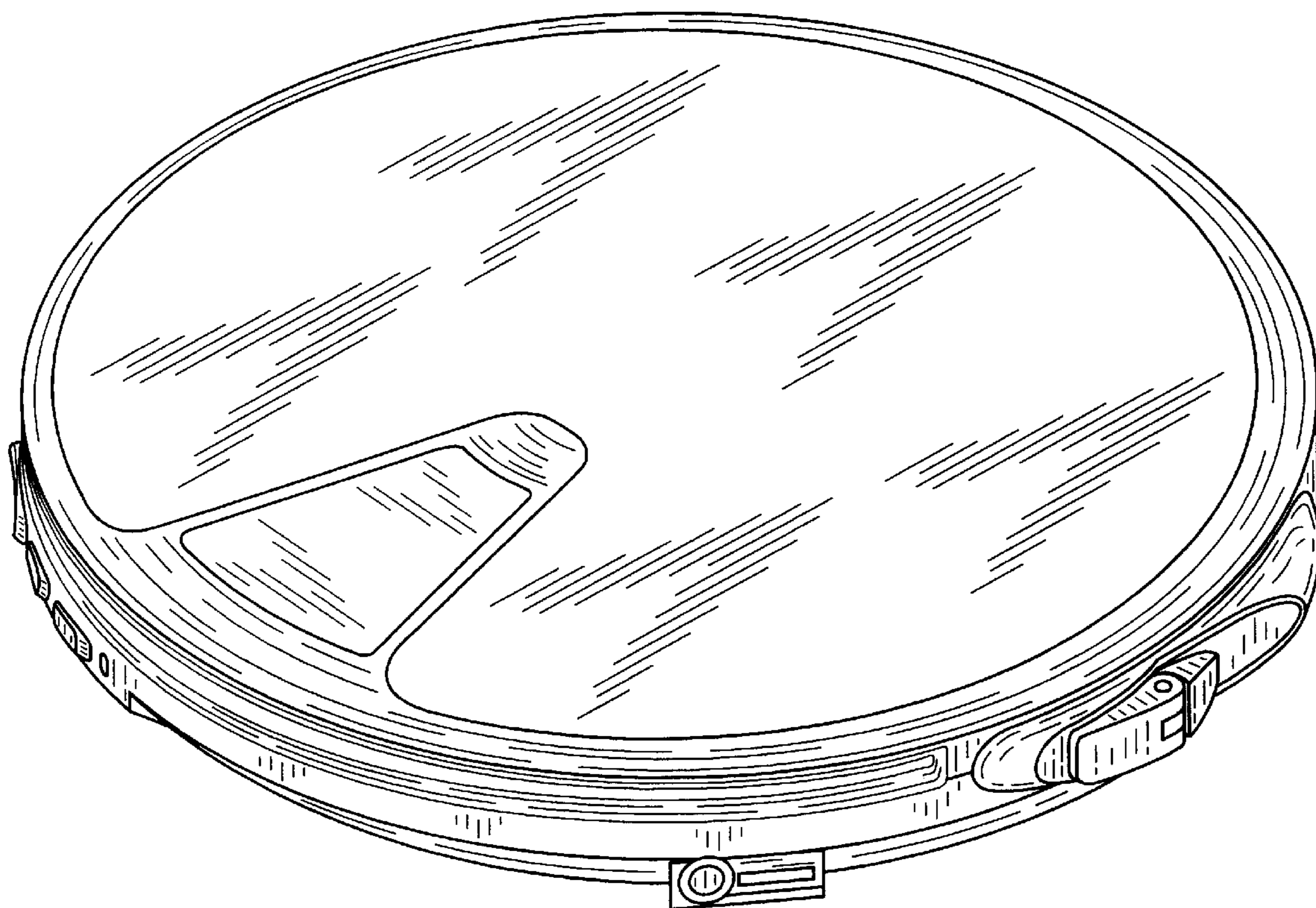
FIG. 6 is a front elevational view thereof; and

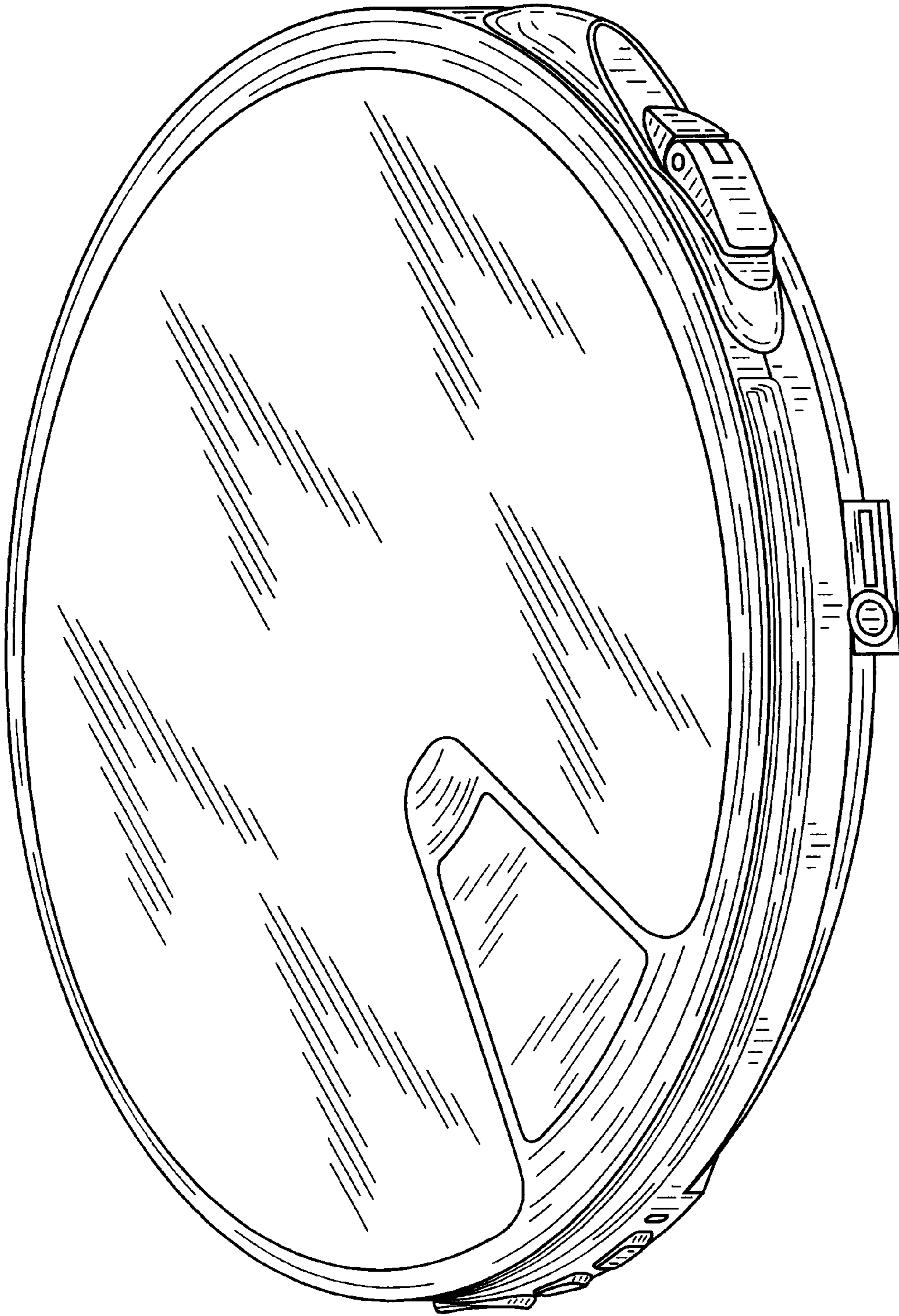
FIG. 7 is a rear elevational view thereof.

FIG. 8 is a rear elevational view of a second embodiment of a disc player showing our new design. The rest of the views of the second embodiment is the same as those of the first embodiment; and,

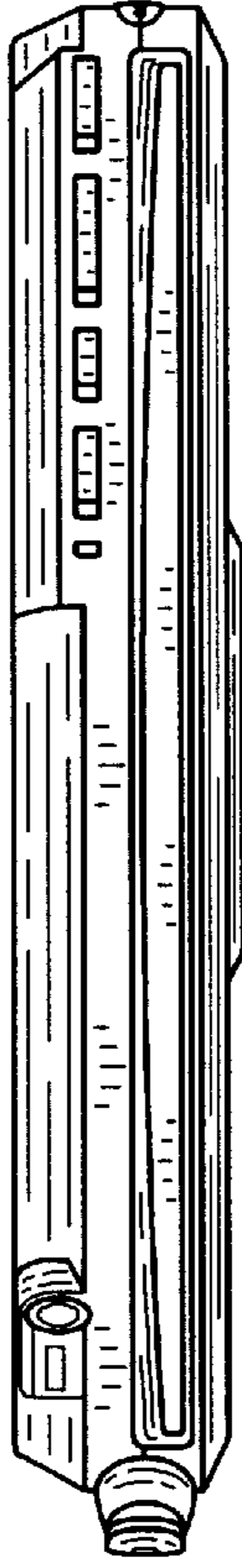
FIG. 9 is a reference perspective view of the first and second embodiment, wherein the disc is inserted into the slot of the disc player. The disc portion in broken lines is for illustrative purpose only and forms no part of claimed design.

**1 Claim, 5 Drawing Sheets**





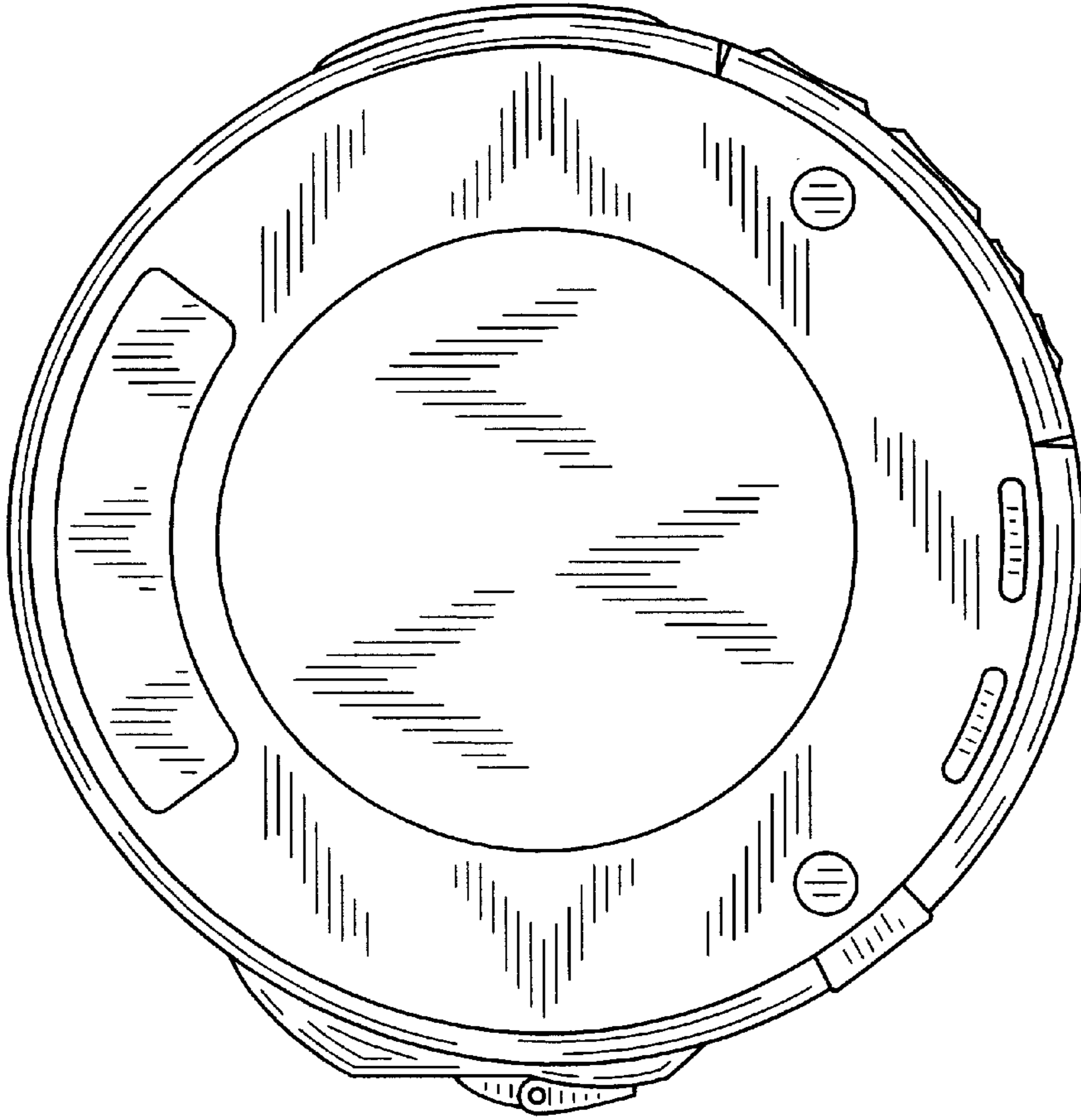
**FIG. 1**



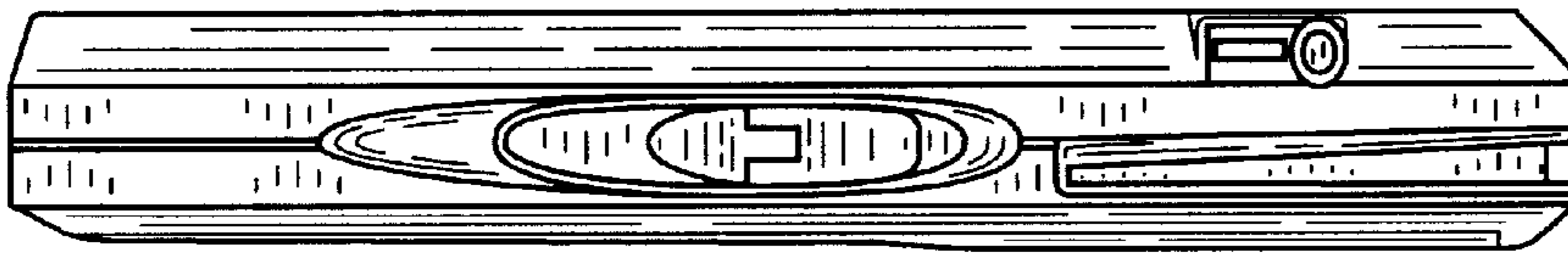
**FIG. 3**



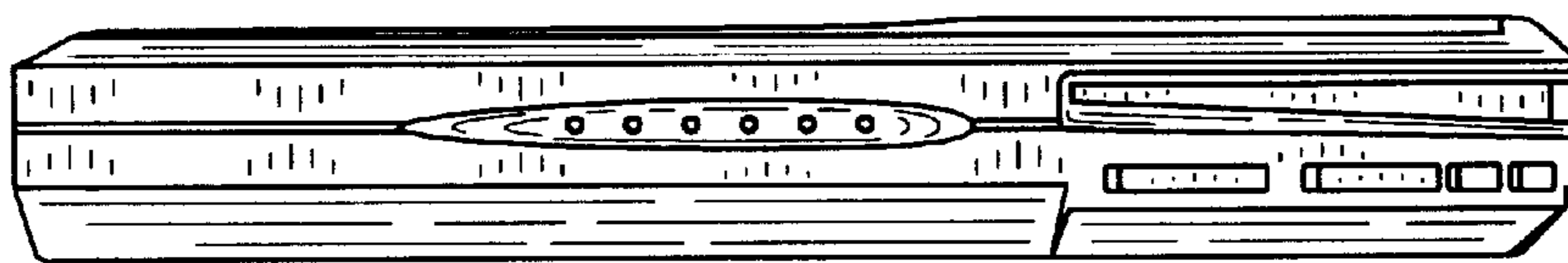
**FIG. 2**



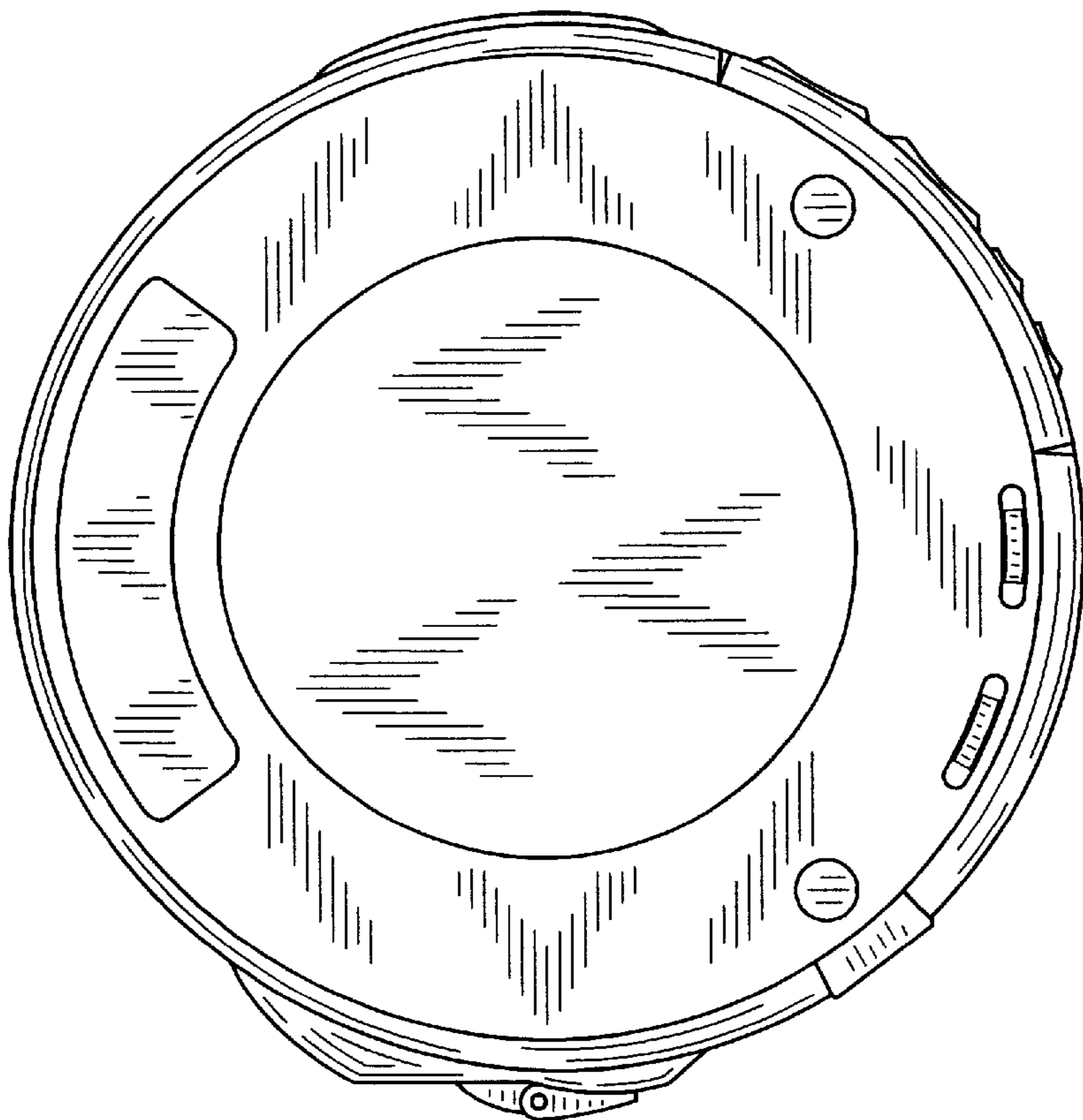
**FIG. 8**



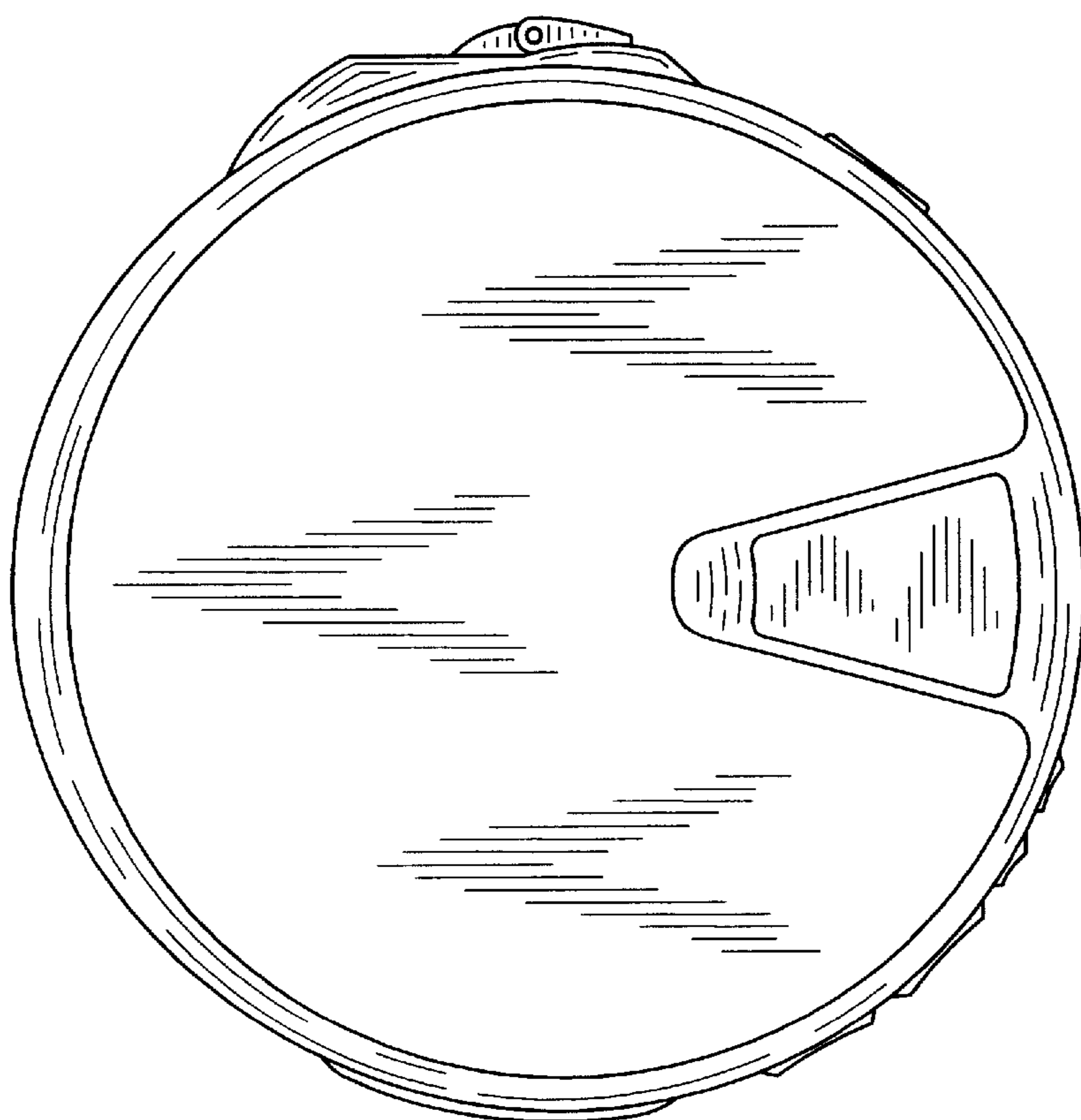
**FIG. 5**



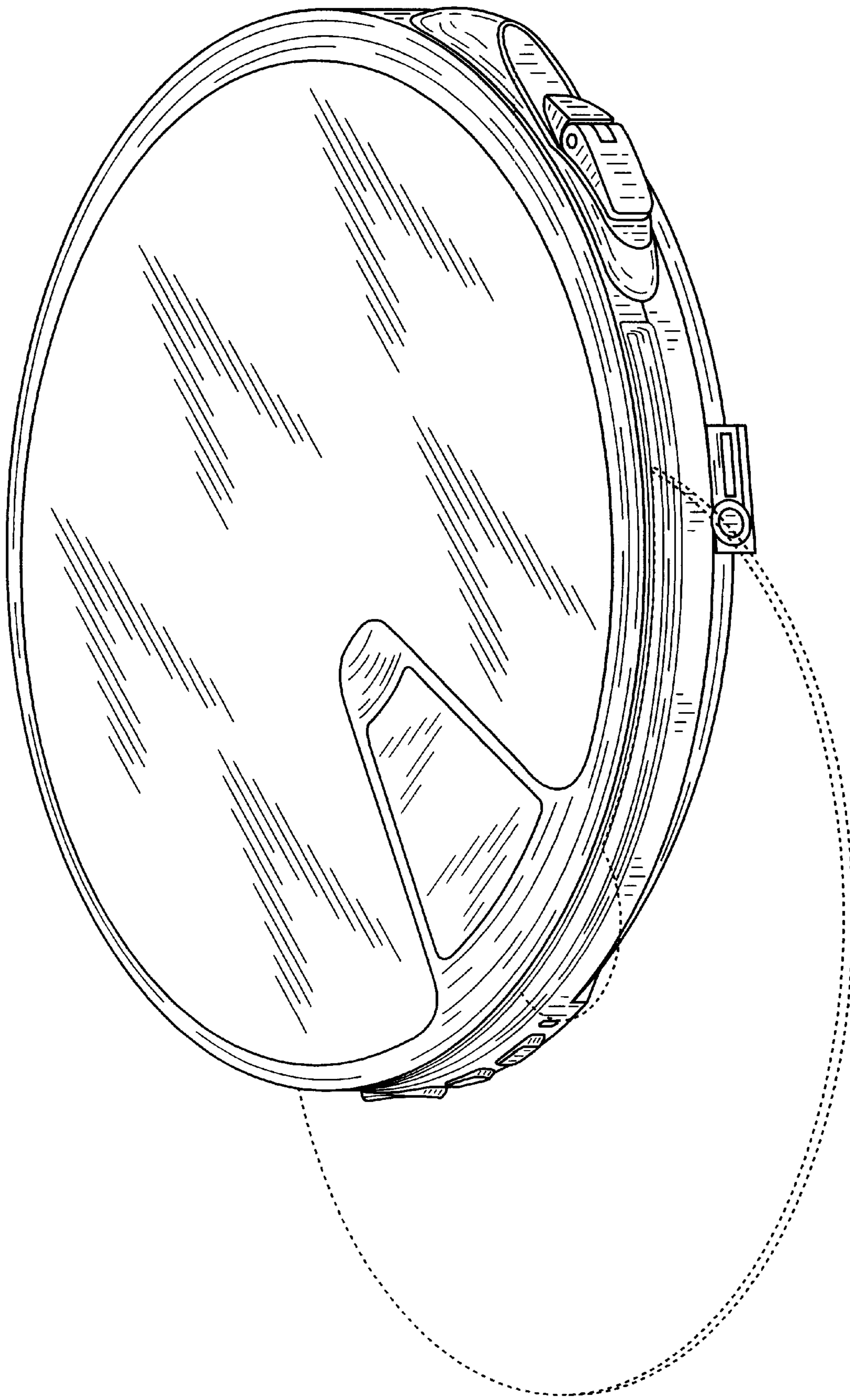
**FIG. 4**



**FIG. 7**



**FIG. 6**



**FIG. 9**