



US00D432512S

United States Patent [19] Raz

[11] Patent Number: **Des. 432,512**

[45] Date of Patent: **** Oct. 24, 2000**

[54] TELEPHONE

4,866,764 9/1989 Barker, III 379/368 X
5,184,971 2/1993 Williams 379/88.28 X
5,609,508 3/1997 Wingate 379/110.01 X

[76] Inventor: **Alfred Raz**, 38 Haalmogim Street,
Rishon Lezion 75439, Israel

[**] Term: **14 Years**

Primary Examiner—Jeffrey Asch
Attorney, Agent, or Firm—Christopher E. Blank, Esq.;
Lynne M. Blank, Esq.

[21] Appl. No.: **29/092,815**

[57] CLAIM

[22] Filed: **Aug. 27, 1998**

The ornamental design for a telephone, as shown and described.

[51] LOC (7) Cl. **14-03**

[52] U.S. Cl. **D14/151**

[58] Field of Search D14/151, 140,
D14/142, 150, 149, 240, 241; 379/419,
420, 428, 440, 433-436, 110.01, 368, 88.28

DESCRIPTION

[56] References Cited

U.S. PATENT DOCUMENTS

D. 259,212	5/1981	Foggia et al.	D14/151
D. 286,401	10/1986	Asaki	D14/151
D. 370,674	6/1996	Zeitman	D14/151
D. 374,008	9/1996	Zeitman	D14/151
D. 375,310	11/1996	Wooldridge	D14/151
D. 384,347	9/1997	Hua	D14/151
D. 391,956	3/1998	Prins et al.	D14/151

FIG. 1 is a top plan view of the telephone showing my new design.

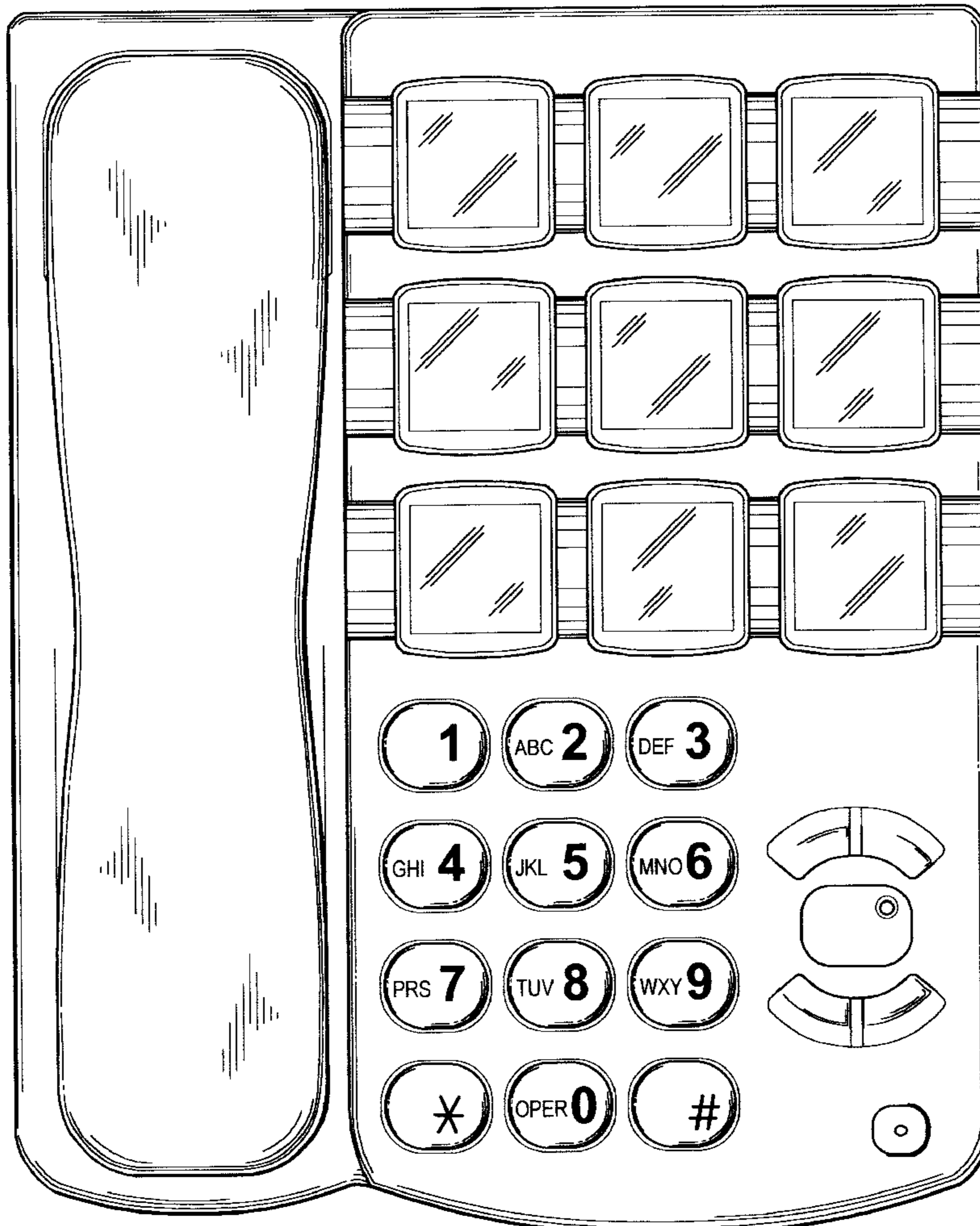
FIG. 2 is a right side elevational view of the telephone showing my new design.

FIG. 3 is a back elevational view of the telephone showing my new design; and,

FIG. 4 is a bottom view thereof.

The surface(s) or portion(s) of the article not shown in the drawings or described in the specification form(s) no part of the claimed design.

1 Claim, 4 Drawing Sheets



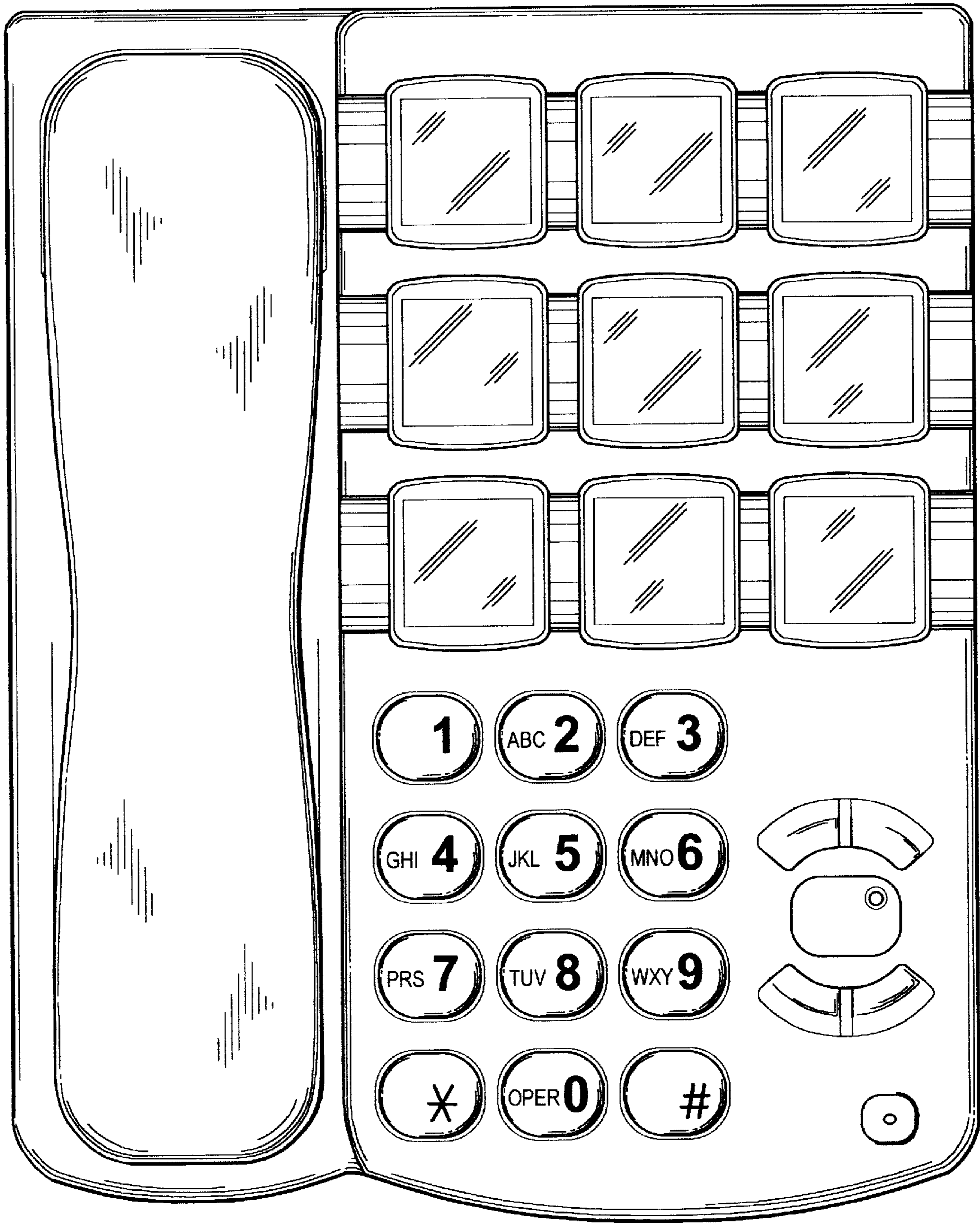


FIG. 1

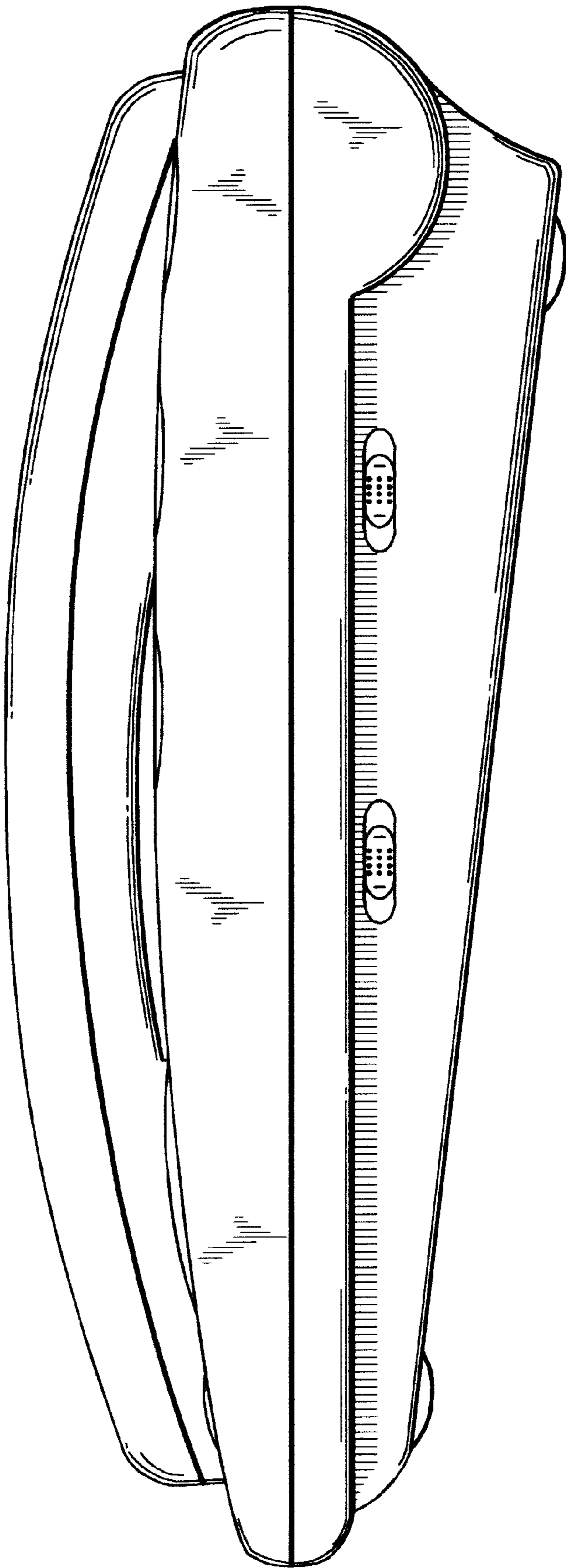


FIG.2

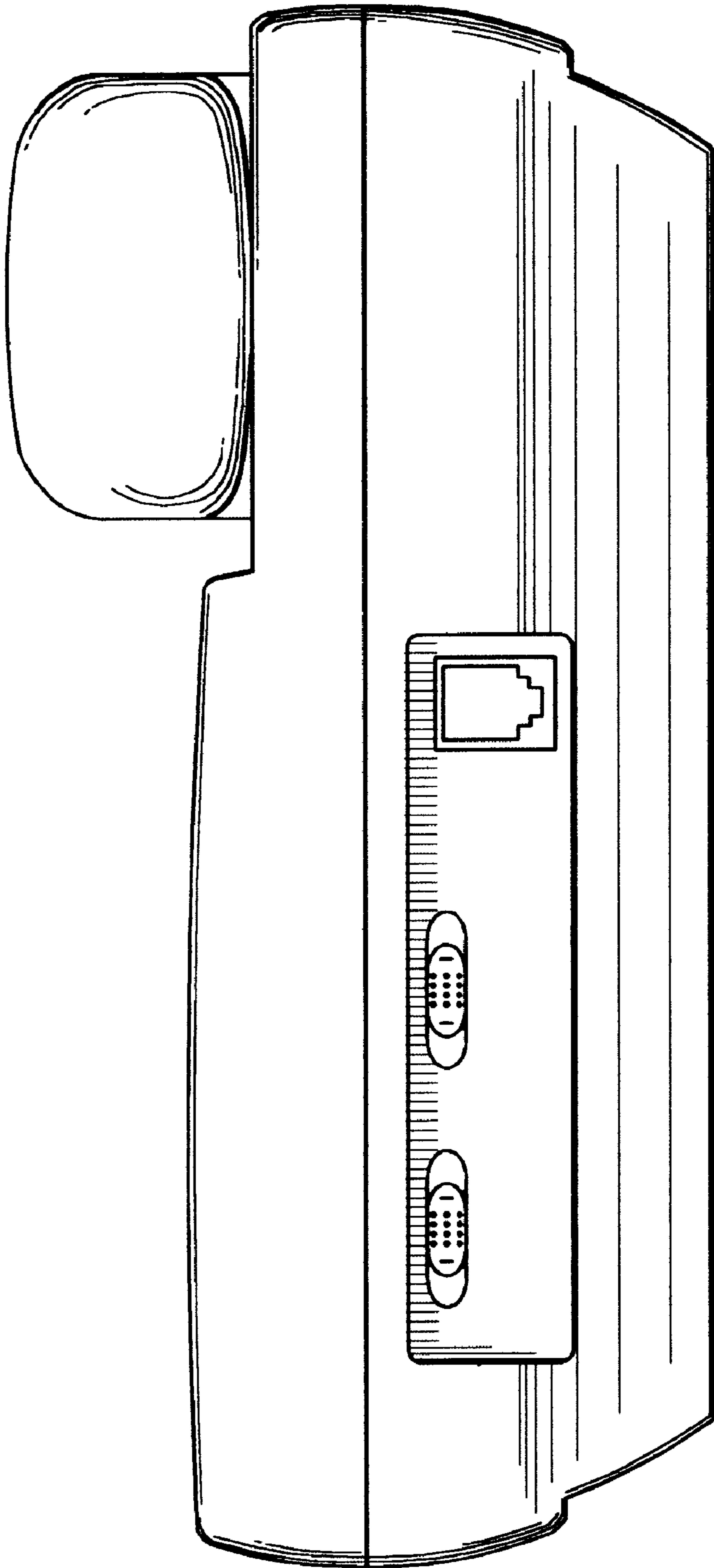


FIG. 3

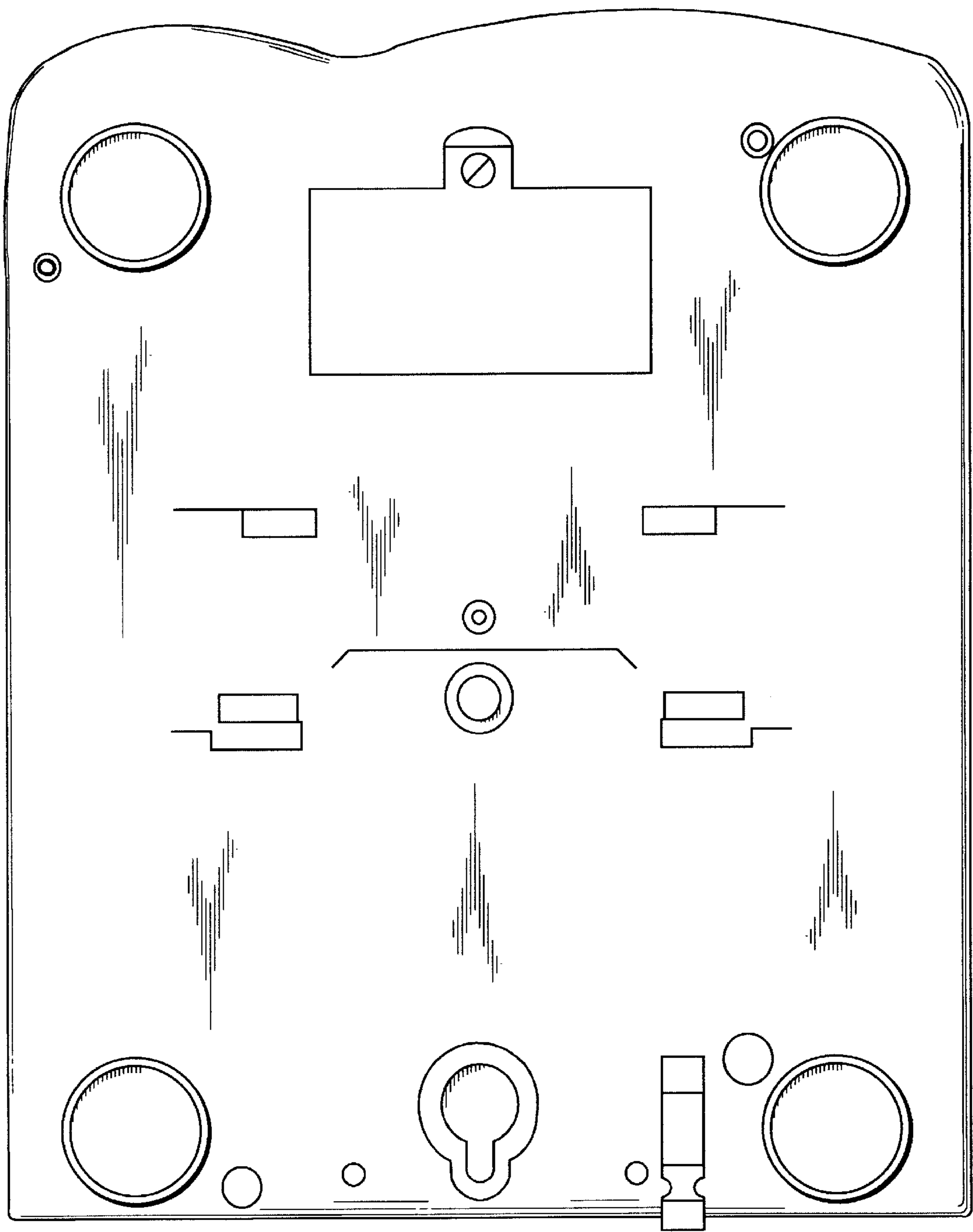


FIG. 4