



US00D432503S

# United States Patent [19] Taylor

[11] Patent Number: **Des. 432,503**

[45] Date of Patent: **\*\* Oct. 24, 2000**

[54] SWITCH COVER

[75] Inventor: **John F. Taylor**, Ortonville, Mich.

[73] Assignee: **Safety Technology International, Inc.**,  
Waterford, Mich.

[\*\*] Term: **14 Years**

[21] Appl. No.: **29/093,747**

[22] Filed: **Sep. 17, 1998**

[51] LOC (7) Cl. .... **13-03**

[52] U.S. Cl. .... **D13/177; D13/156; D10/106**

[58] Field of Search ..... **D13/156, 158,**  
**D13/177; D10/106, 108; 200/43.18, 43.19**

### [56] References Cited

#### U.S. PATENT DOCUMENTS

D. 302,951	8/1989	Kotlicki et al. ....	D10/106
D. 342,523	12/1993	Morgan et al. ....	D13/177
D. 381,283	7/1997	Soreo ....	D10/106
4,713,509	12/1987	Chebowski ....	200/43.18

#### OTHER PUBLICATIONS

Hong Kong Enterprise, Feb. 1990, p. 146.

*Primary Examiner*—Adir Aronovich  
*Attorney, Agent, or Firm*—Gifford, Krass, Groh, Sprinkle,  
Anderson & Citkowski, P.C.

### [57] CLAIM

The ornamental design for a switch cover, as shown and described.

### DESCRIPTION

FIG. 1 is a perspective view of a switch cover showing my new design, the broken lines are shown to illustrate the environment only and form no part of the claimed design; FIG. 2 is a top elevational view of the design shown in FIG. 1;

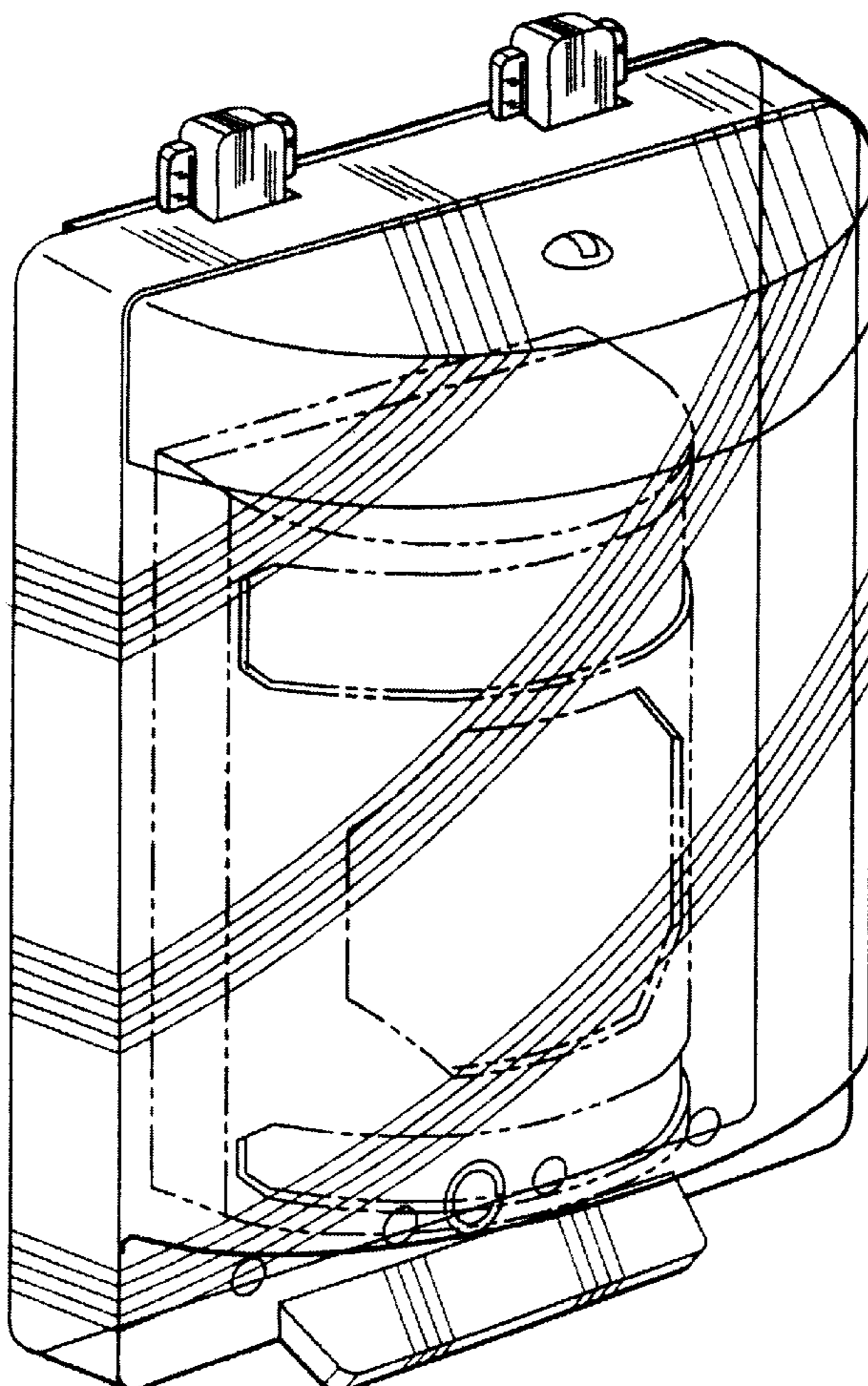
FIG. 3 is a front elevational view as seen from the left side of FIG. 1;

FIG. 4 is a side elevational view of the design shown in FIG. 1, the undisclosed opposite side being a mirror image;

FIG. 5 is a bottom elevational view of the design shown in FIG. 1; and,

FIG. 6 is a rear elevational view of the design shown in FIG. 1.

**1 Claim, 3 Drawing Sheets**



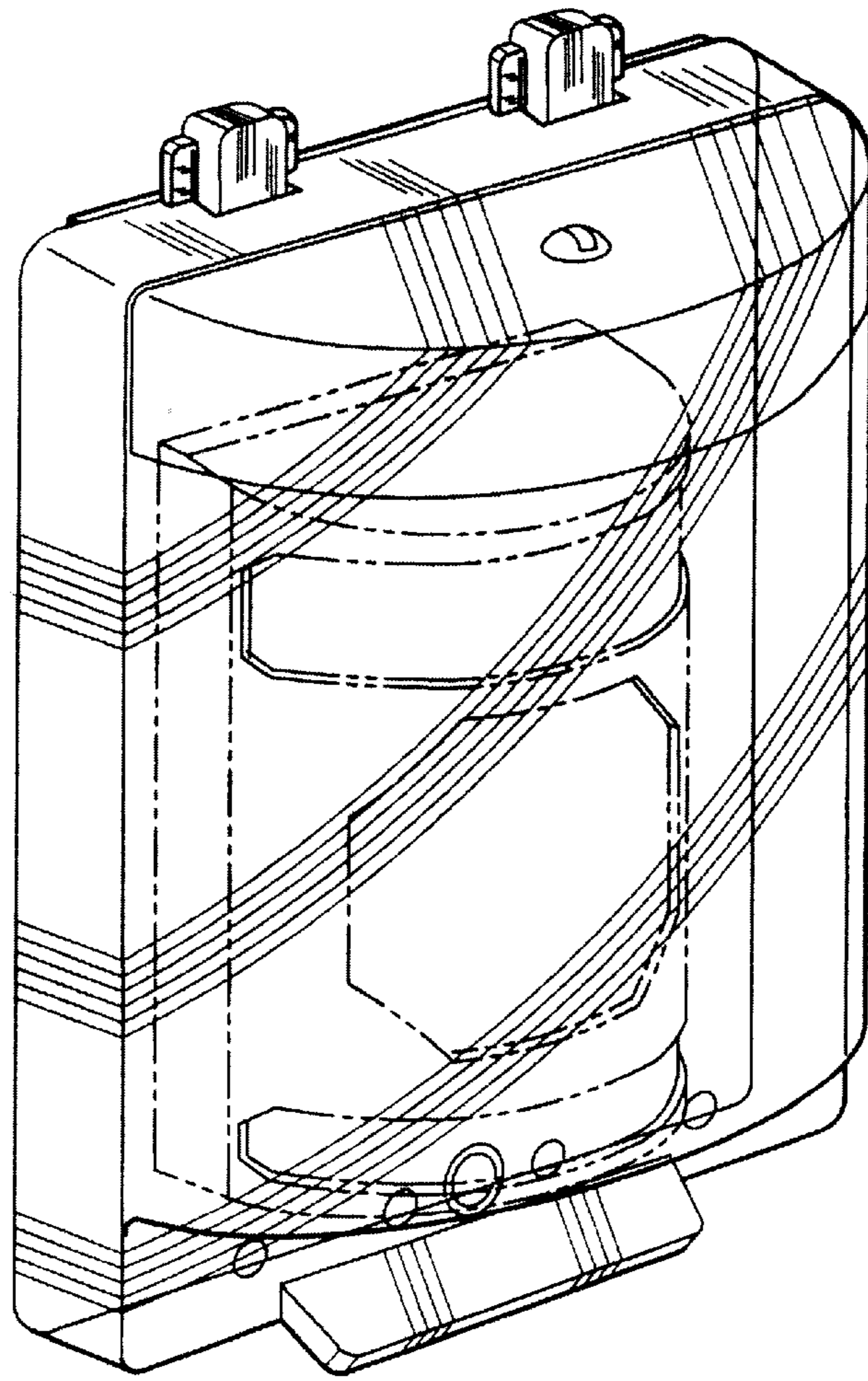


Fig-1

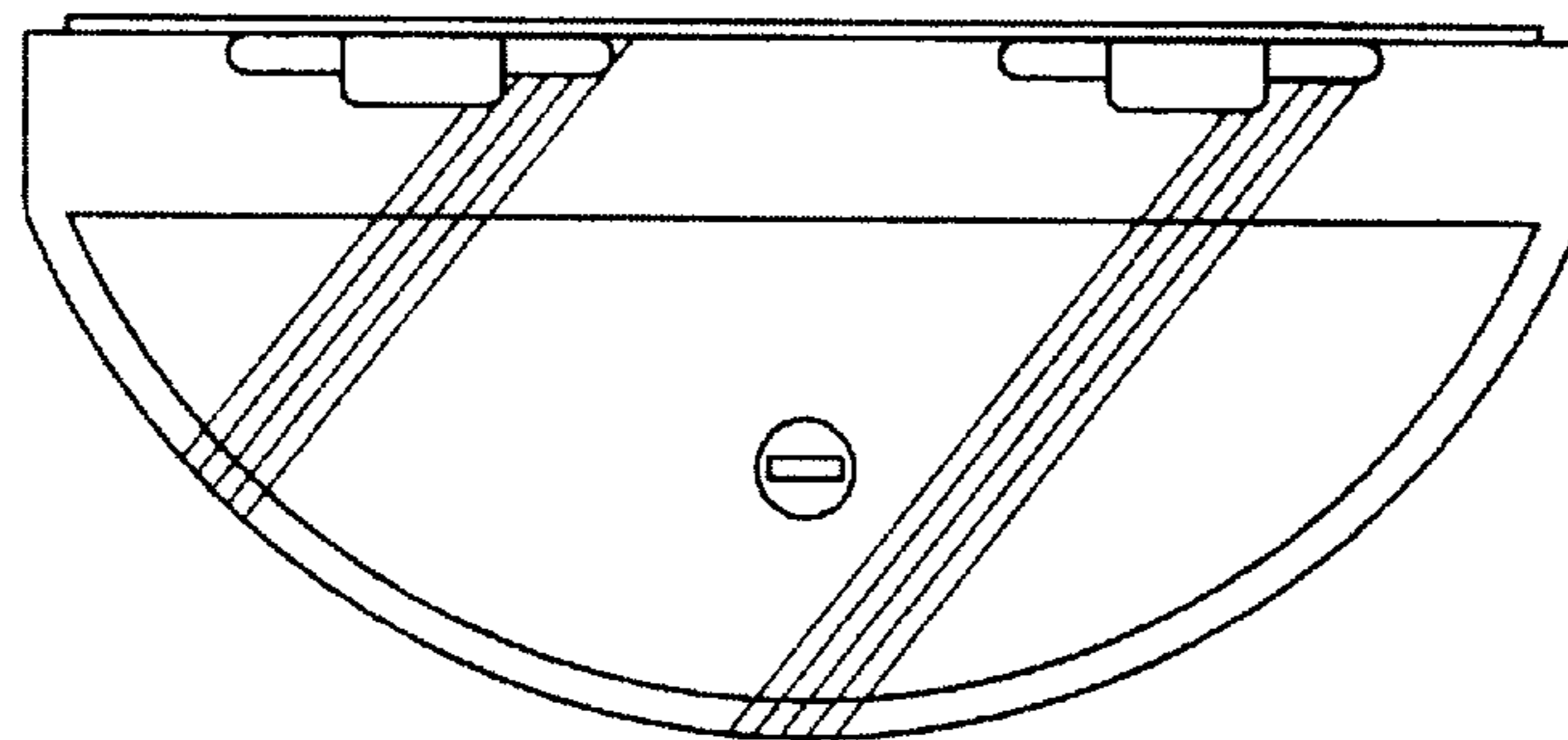


Fig-2

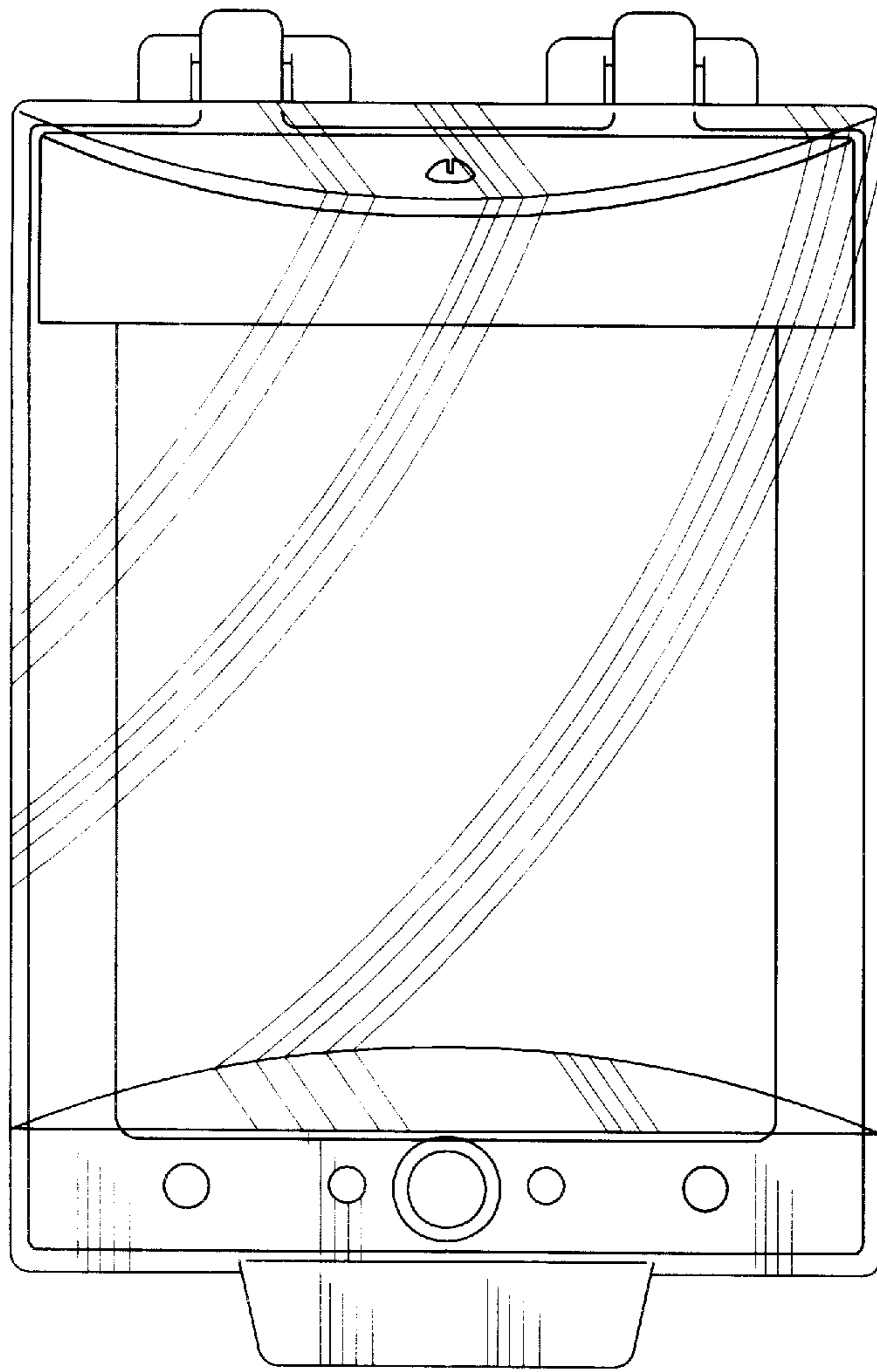


Fig-3

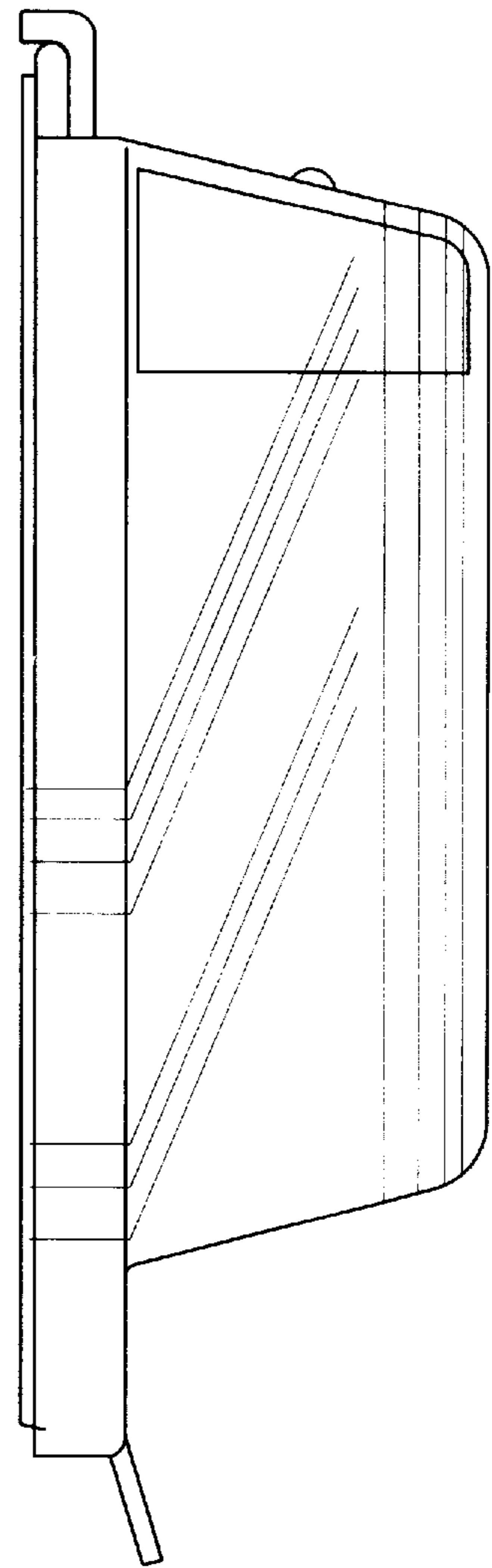


Fig-4

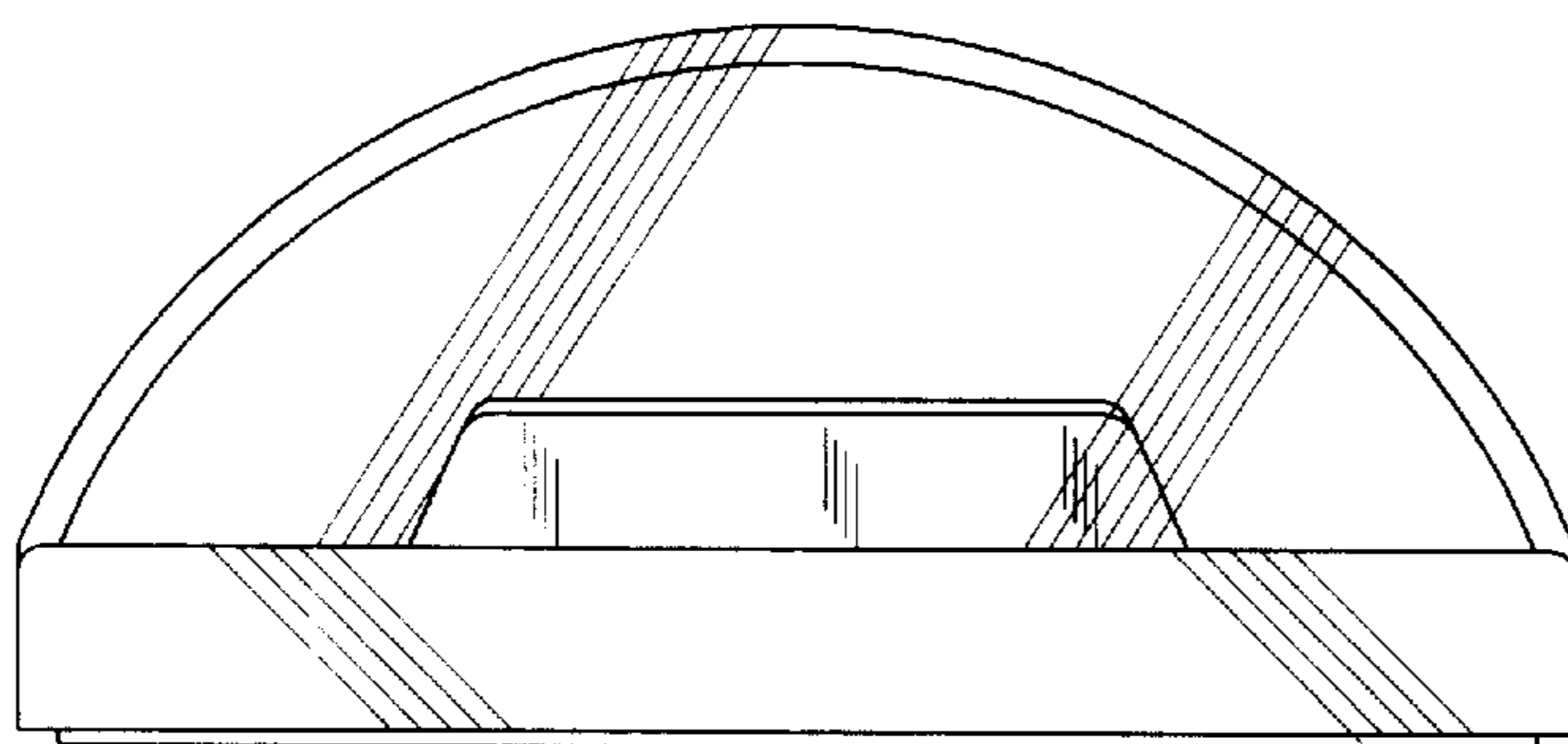


Fig-5

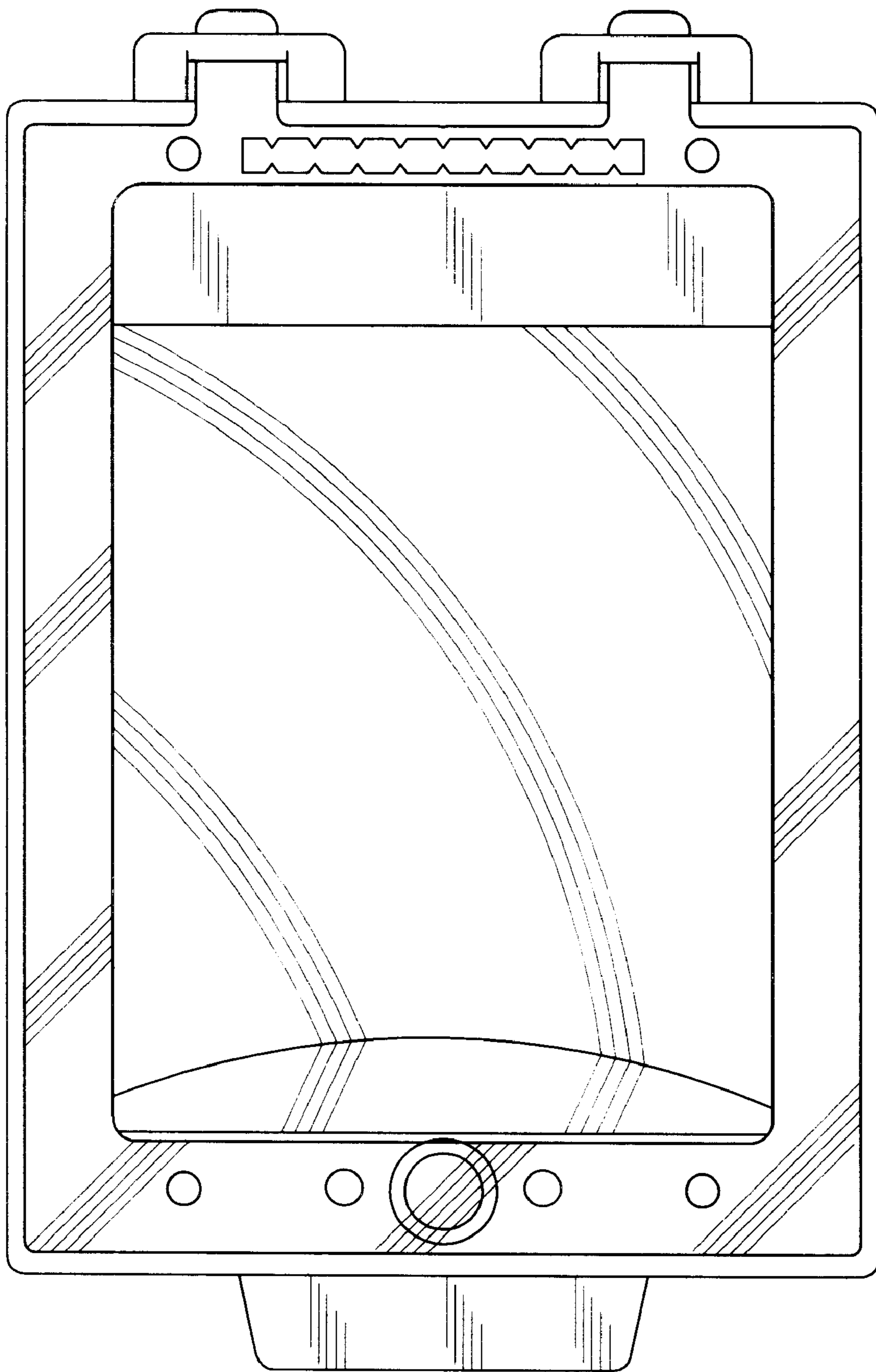


Fig-6