



US00D432502S

# United States Patent [19]

Mahoney et al.

[11] Patent Number: Des. 432,502

[45] Date of Patent: \*\* Oct. 24, 2000

[54] HOUSING FOR A CABLE TELEVISION TAP

[75] Inventors: William G. Mahoney, Suwanee;  
Sou-Pen Su; Joel P. Jenkins, both of  
Lawrenceville, all of Ga.

[73] Assignee: Scientific-Atlanta, Inc., Norcross, Ga.

[\*\*] Term: 14 Years

[21] Appl. No.: 29/120,613

[22] Filed: Aug. 6, 1998

[51] LOC (7) Cl. .... 13-03

[52] U.S. Cl. .... D13/152

[58] Field of Search ..... D13/152, 147,  
D13/151; D14/217; 439/578; 174/52.1;  
333/100, 24 R

[56] **References Cited**

U.S. PATENT DOCUMENTS

D. 401,226	11/1998	Inoko .....	D13/184
D. 410,630	6/1999	Kodaira et al. ....	D13/151
D. 412,313	7/1999	Hughes .....	D13/152
4,963,966	10/1990	Harney et al. ....	348/5.5

5,796,316	8/1998	Romerein .....	333/100
5,814,905	9/1998	Tang .....	439/579 X
5,834,989	11/1998	Romerein et al. ....	333/100
5,909,154	6/1999	Brown et al. ....	333/100
6,069,315	5/2000	Tang .....	174/52.1 X

Primary Examiner—Joel Sincavage  
Attorney, Agent, or Firm—Kelly A. Gardner; Kenneth M.  
Massaroni; Hubert J. Barnhardt, III

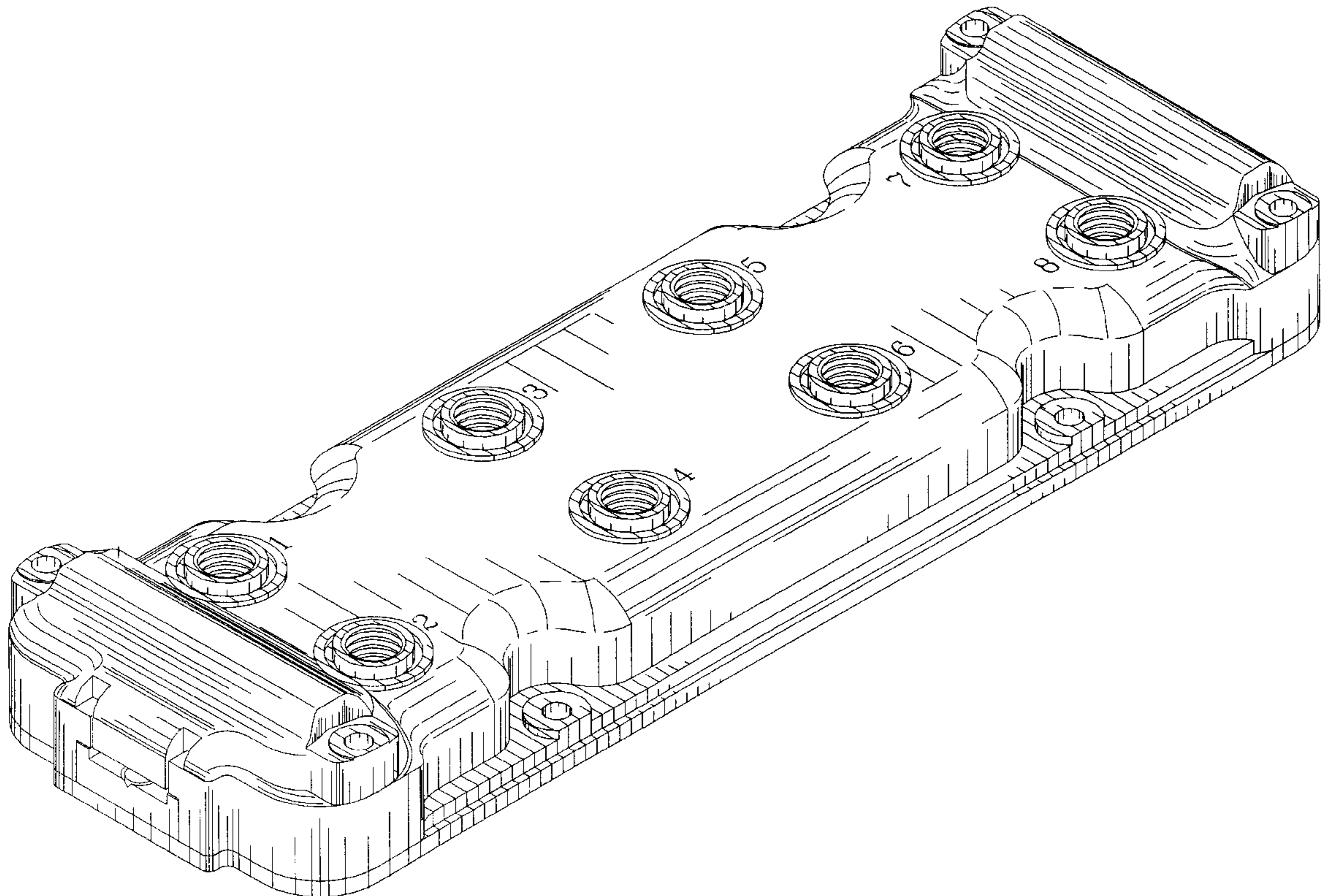
[57] **CLAIM**

The ornamental design for a housing for a cable television tap, as shown and described.

**DESCRIPTION**

FIG. 1 is a top front left perspective view of a housing for a cable television tap in accordance with the instant invention;  
FIG. 2 is a top plan view thereof;  
FIG. 3 is a bottom plan view thereof;  
FIG. 4 is a left side elevational view thereof;  
FIG. 5 is a right side elevational view thereof;  
FIG. 6 is a front elevational view; and,  
FIG. 7 is a rear elevational view thereof.

1 Claim, 4 Drawing Sheets



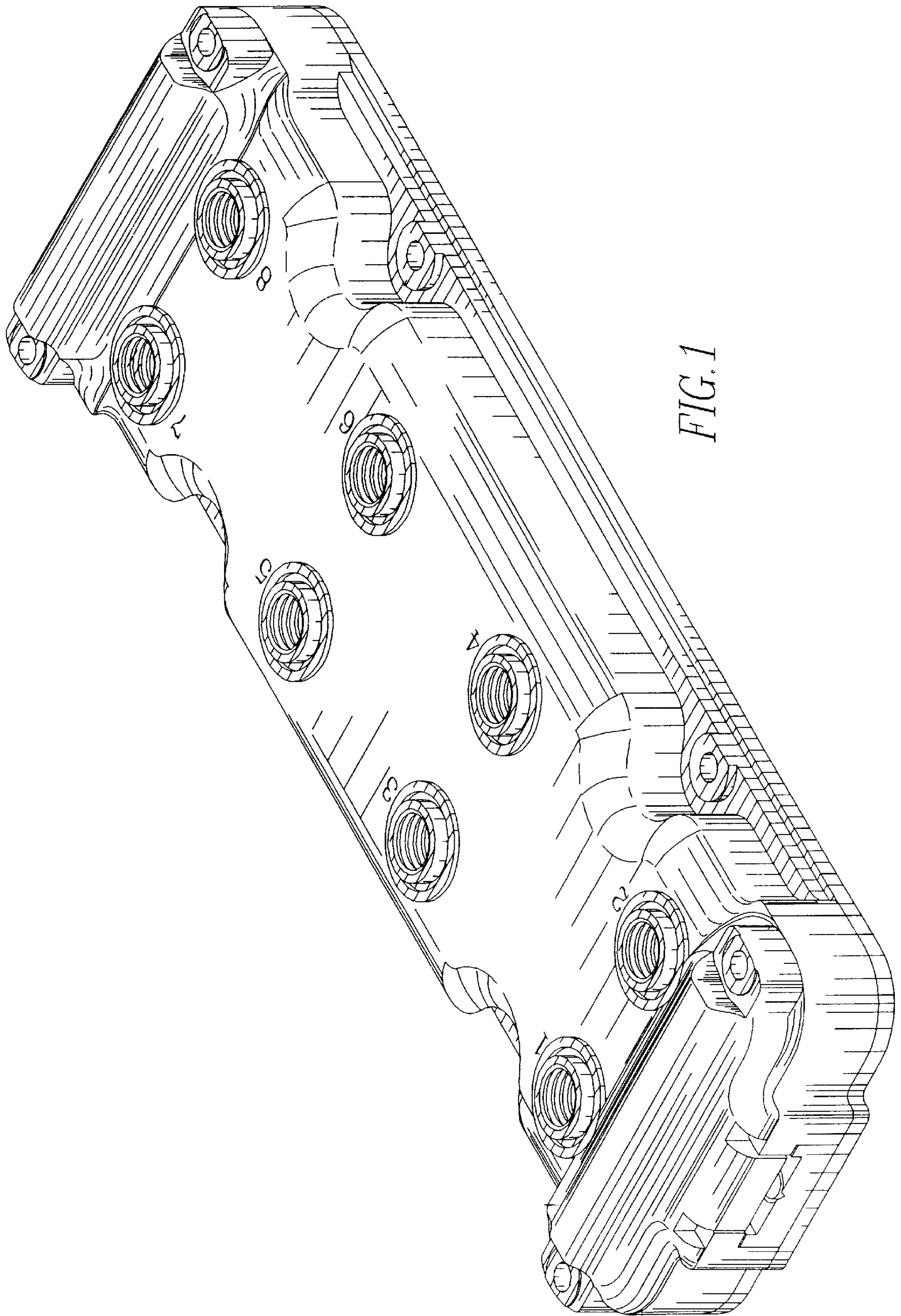


FIG. 1



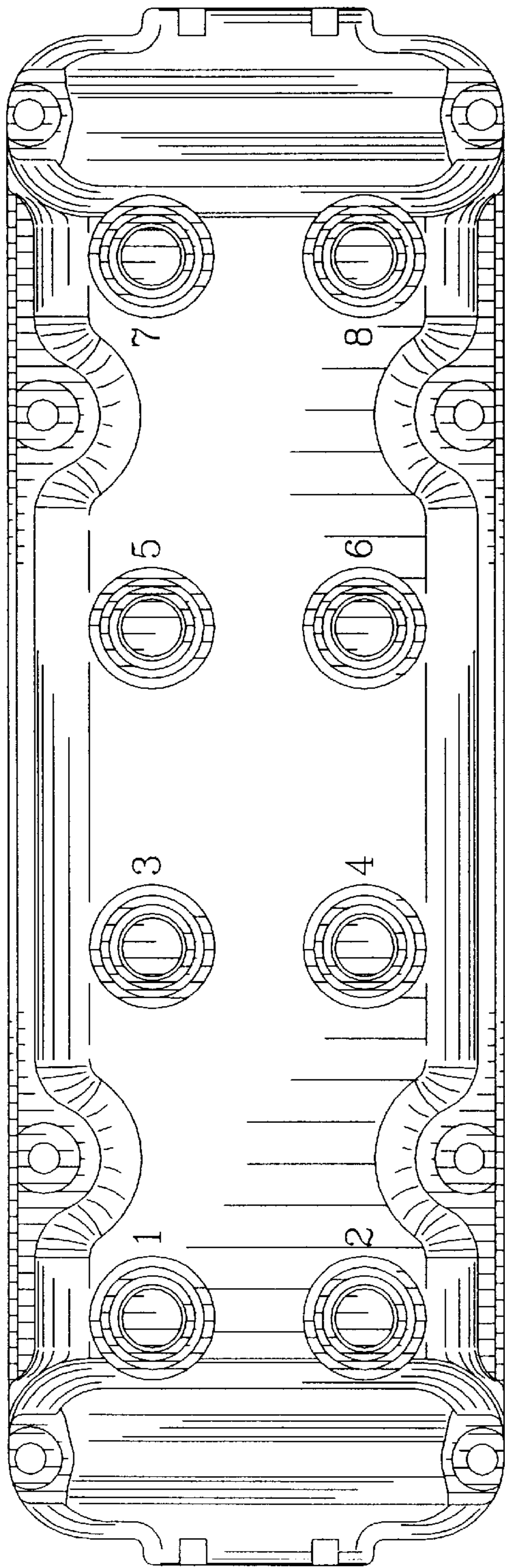


FIG. 2

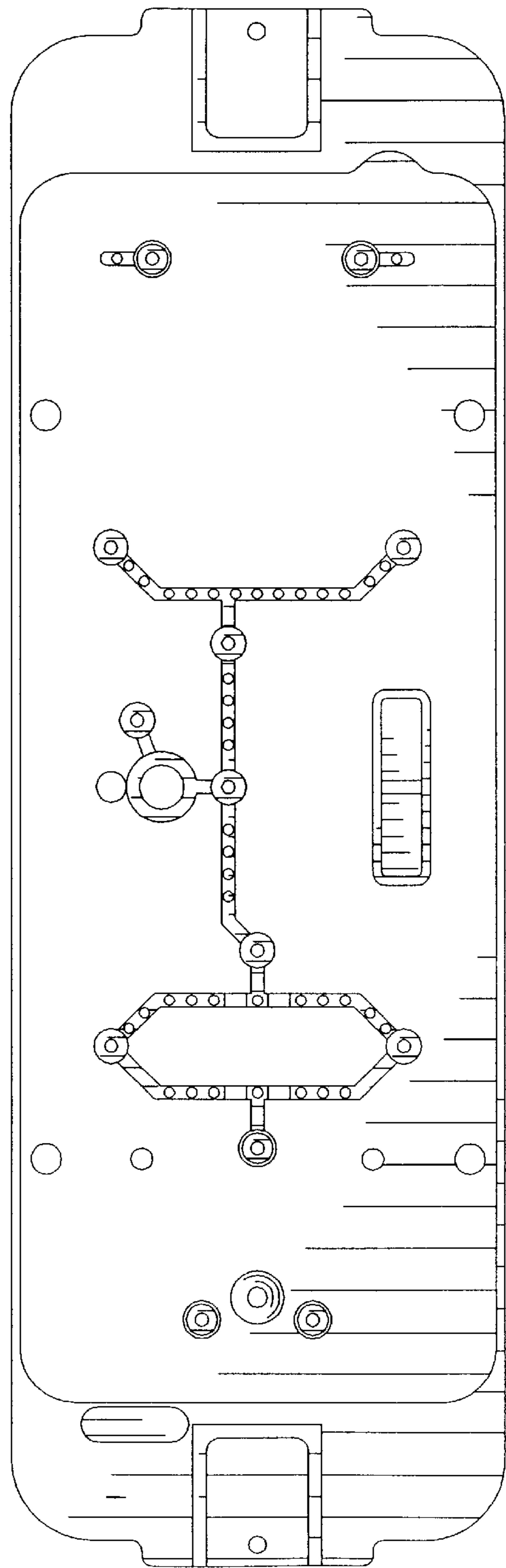


FIG. 3

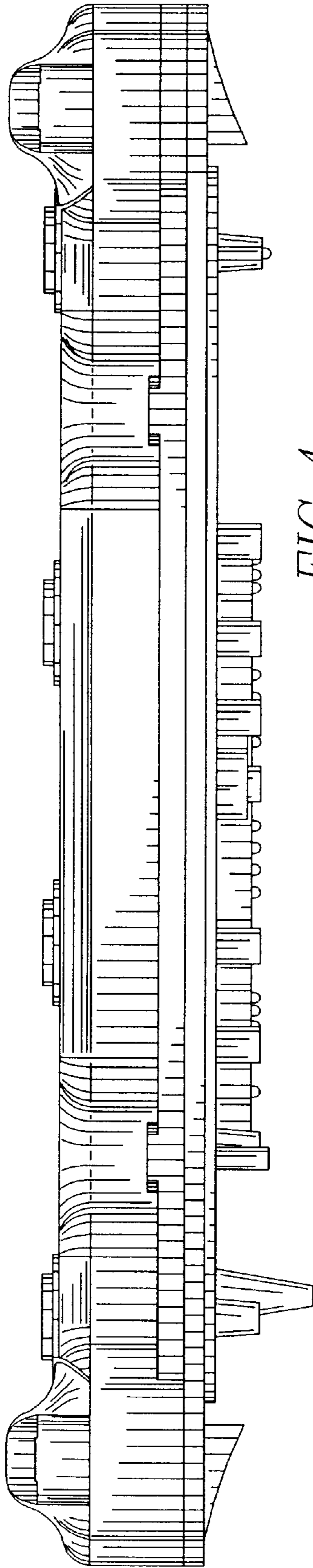


FIG. 4

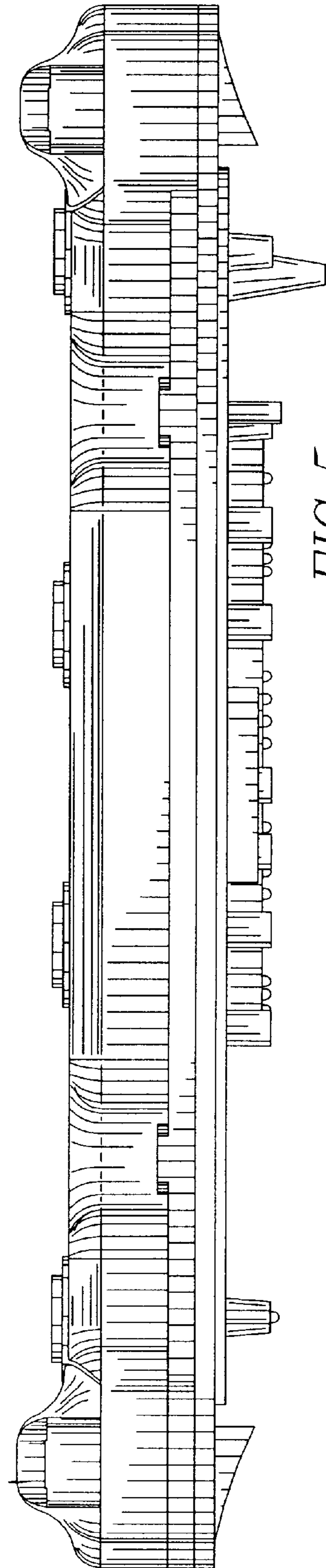
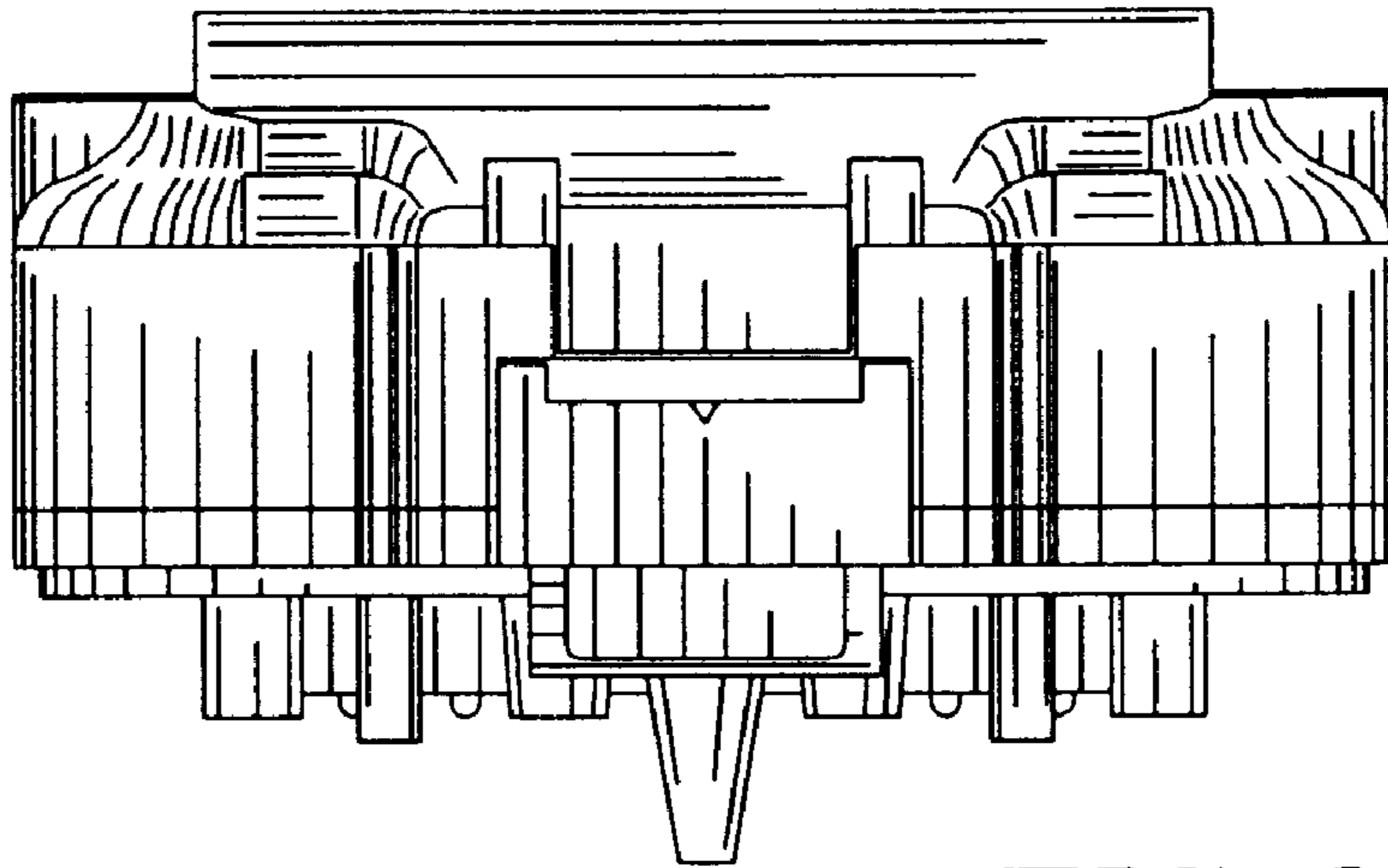
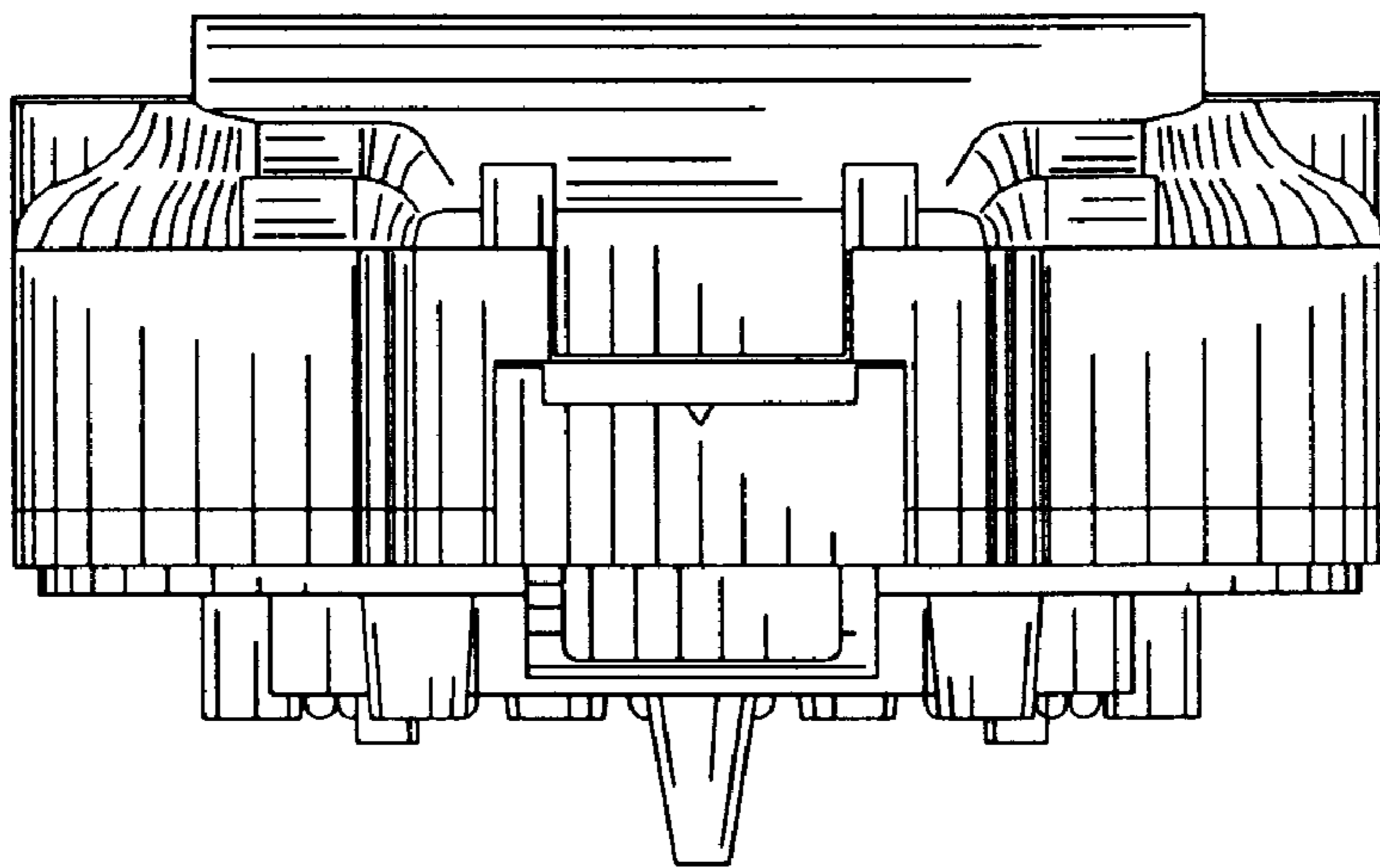


FIG. 5



*FIG. 6*



*FIG. 7*