



US00D432501S

United States Patent [19] Ohtani

[11] **Patent Number: Des. 432,501**

[45] **Date of Patent: ** Oct. 24, 2000**

[54] **ELECTRIC CONNECTOR RECEPTACLE**

[75] Inventor: **Yutaka Ohtani**, Tokyo, Japan

[73] Assignee: **Honda Tsushin Kogyo Co., Ltd.**,
Tokyo, Japan

[**] Term: **14 Years**

[21] Appl. No.: **29/118,130**

[22] Filed: **Feb. 7, 2000**

[30] **Foreign Application Priority Data**

Oct. 5, 1999 [JP] Japan 11-26889

[51] **LOC (7) Cl.** **13-03**

[52] **U.S. Cl.** **D13/147**

[58] **Field of Search** D13/146, 147;
439/660, 686, 79

[56] **References Cited**

U.S. PATENT DOCUMENTS

5,277,596 1/1994 Dixon 439/79

5,575,663 11/1996 Broschard, III et al. 439/79
5,713,746 2/1998 Olson et al. 439/79
5,755,586 5/1998 Knighton et al. 439/328
5,860,815 1/1999 Feldman et al. 439/79
6,036,507 3/2000 Knighton et al. 439/79

Primary Examiner—Joel Sincavage
Attorney, Agent, or Firm—Arent Fox Kitner Plotkin & Kahn
PLLC

[57] **CLAIM**

The original design for electric connector receptacle, as shown and described.

DESCRIPTION

FIG. 1 is a perspective view of the electric connector receptacle showing my new design;
FIG. 2 is a front elevational view thereof;
FIG. 3 is a rear elevational view thereof;
FIG. 4 is a top plane view thereof;
FIG. 5 is a bottom plane view thereof;
FIG. 6 is a left side elevational view thereof; and,
FIG. 7 is a right side elevational view thereof.

1 Claim, 2 Drawing Sheets

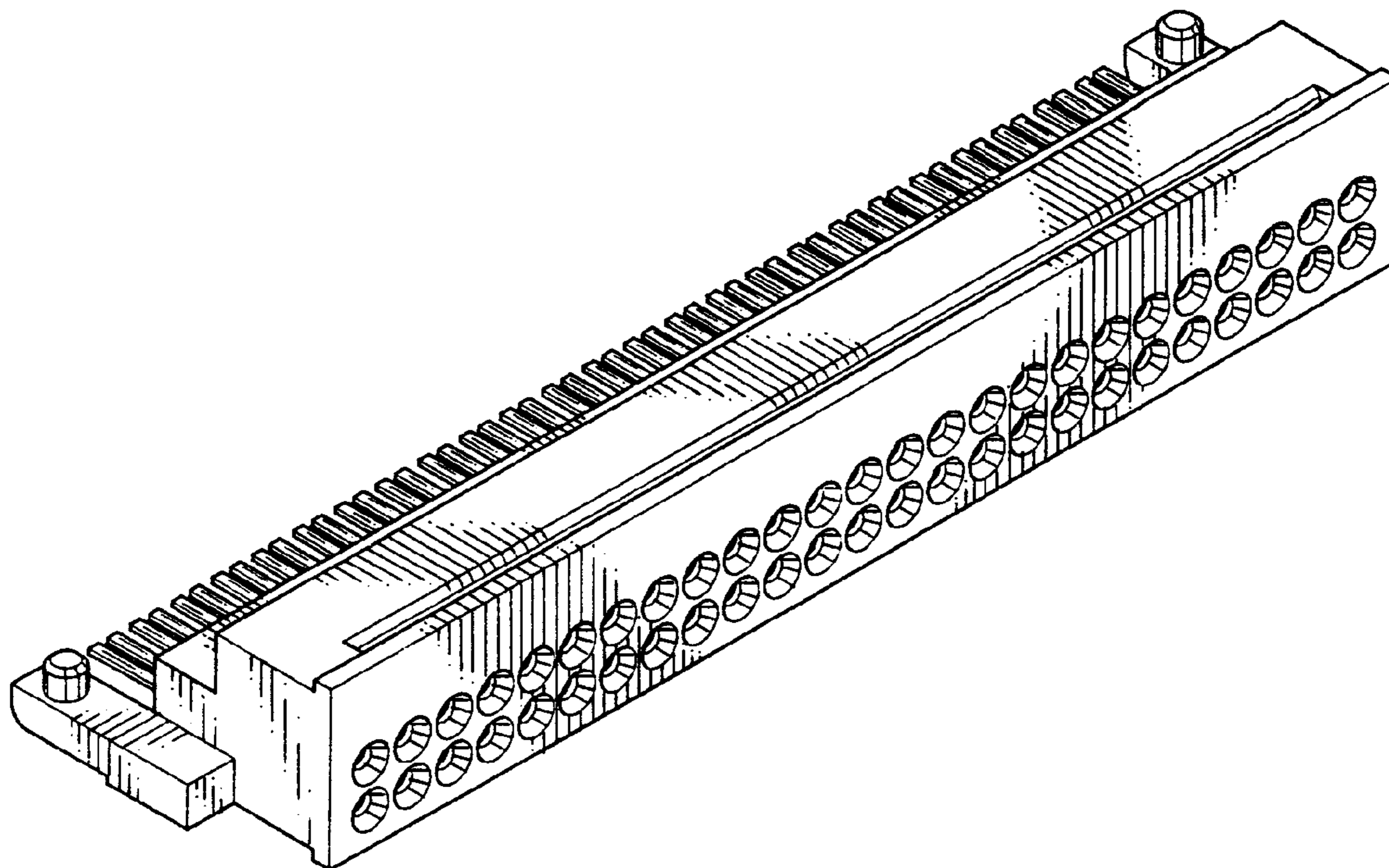


FIG. 1

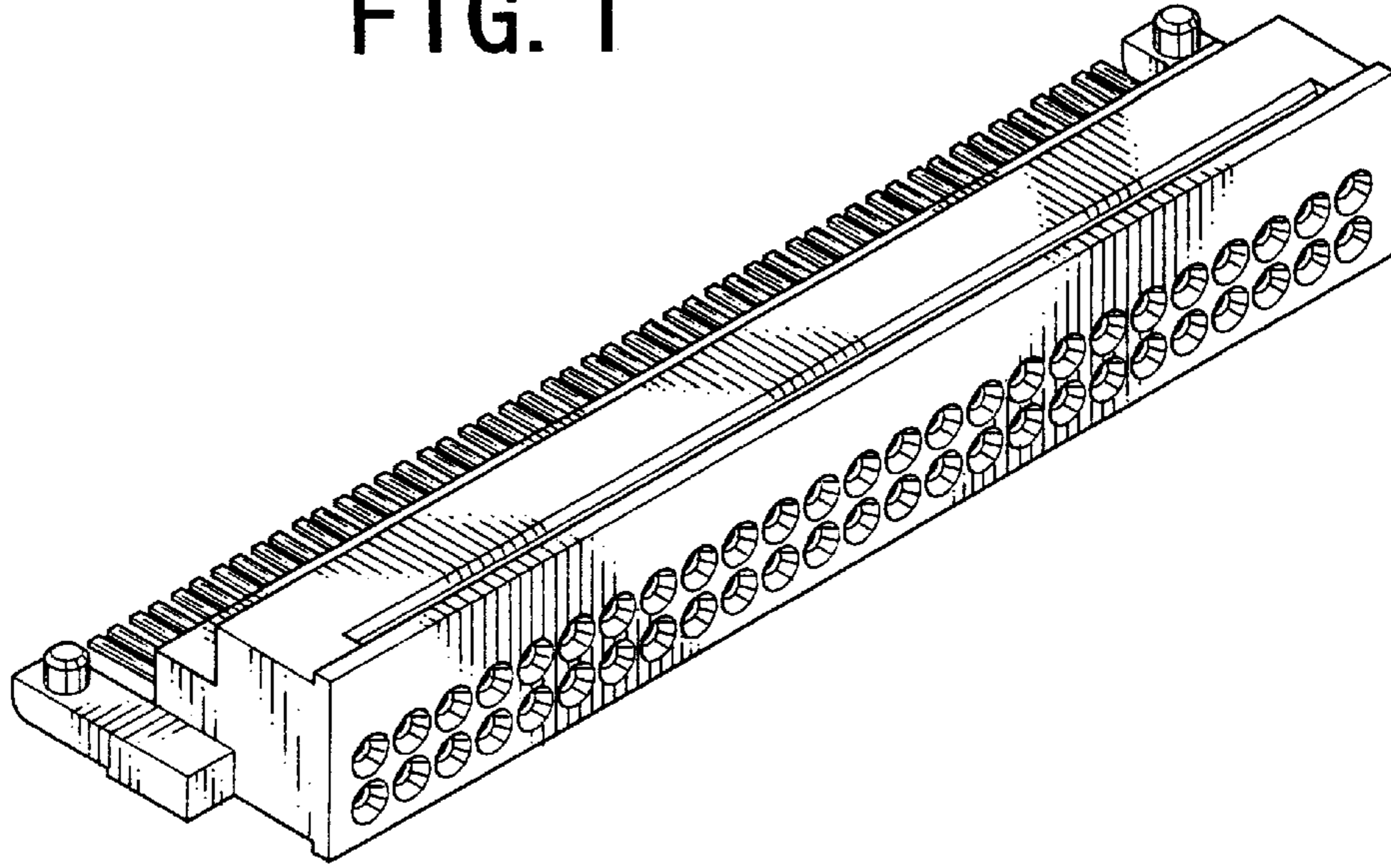


FIG. 2

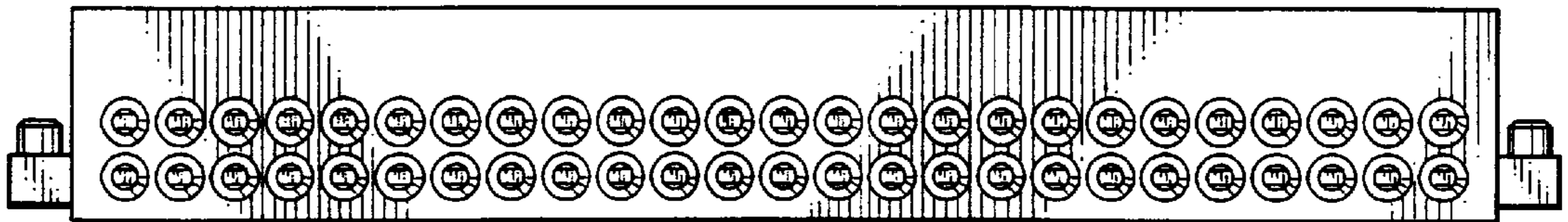


FIG. 3

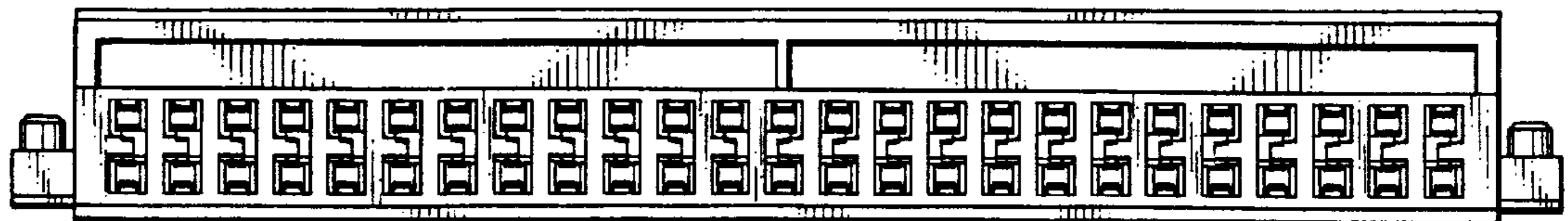


FIG. 4

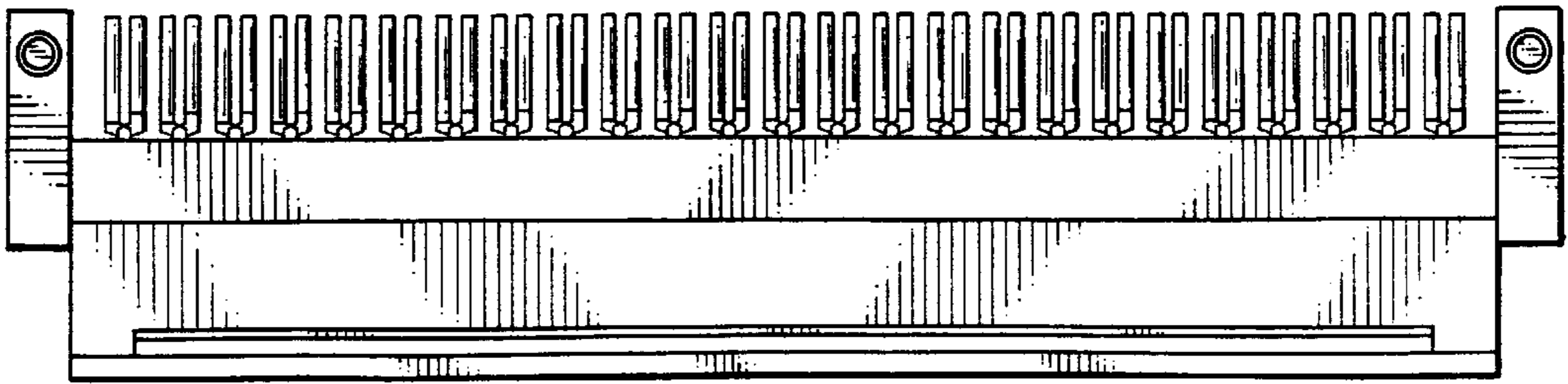


FIG. 5

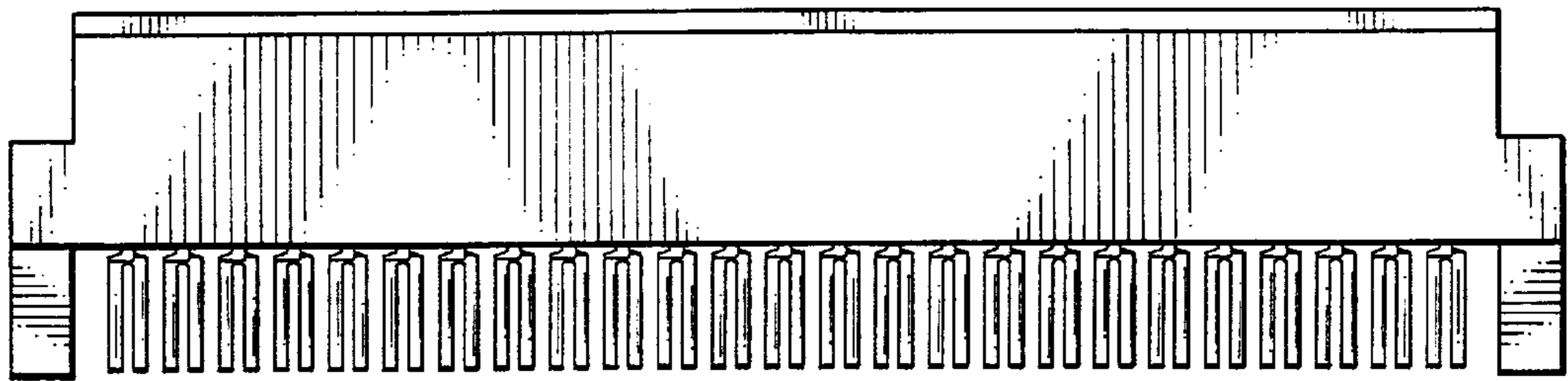


FIG. 6

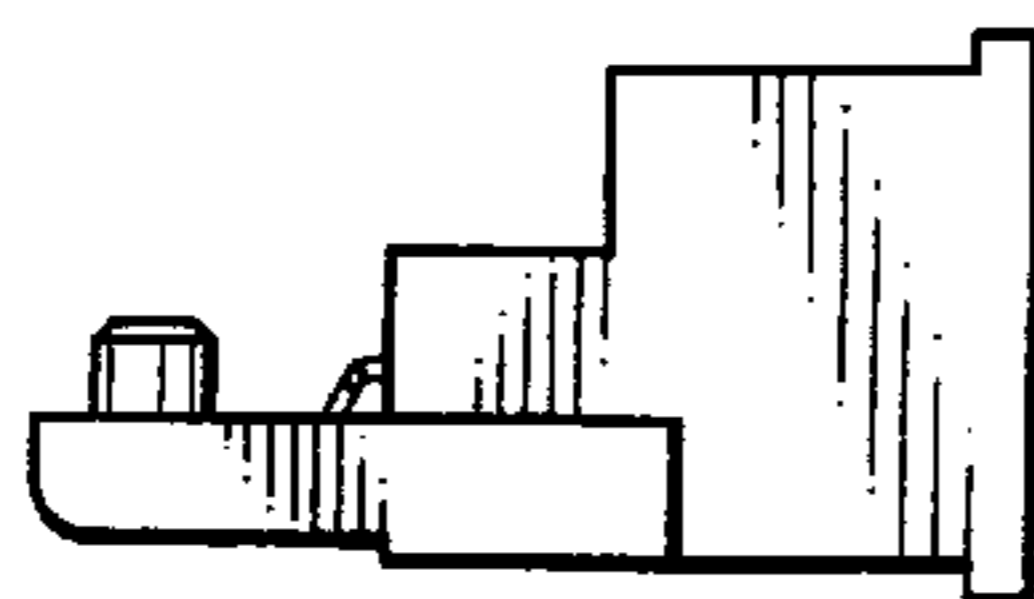


FIG. 7

