



US00D432495S

United States Patent [19]

Sugita et al.

[11] Patent Number: **Des. 432,495**

[45] Date of Patent: **** Oct. 24, 2000**

[54] FUEL CELL

[75] Inventors: **Narutoshi Sugita; Koji Okazaki**, both of Wako, Japan

[73] Assignee: **Hondo Giken Kogyo Kabushiki Kaisha**, Tokyo, Japan

[**] Term: **14 Years**

[21] Appl. No.: **29/119,544**

[22] Filed: **Mar. 3, 2000**

[30] Foreign Application Priority Data

Sep. 3, 1999 [JP] Japan 11-23961

[51] LOC (7) Cl. **13-02**

[52] U.S. Cl. **D13/103**

[58] Field of Search D13/103; 429/34-39

[56] References Cited

U.S. PATENT DOCUMENTS

4,835,073 5/1989 Kunz 429/35 X
5,547,776 8/1996 Fletcher et al. 429/13

5,789,091 8/1998 Wozniczka et al. 429/37 X
5,804,326 9/1998 Chow et al. 429/34 X
5,840,438 11/1998 Johnson et al. 429/30
5,945,232 8/1999 Ernst et al. 429/39 X
6,057,054 5/2000 Barton et al. 429/35 X

Primary Examiner—Joel Sincavage
Attorney, Agent, or Firm—Sughrue, Mion, Zinn, Macpeak & Seas, PLLC

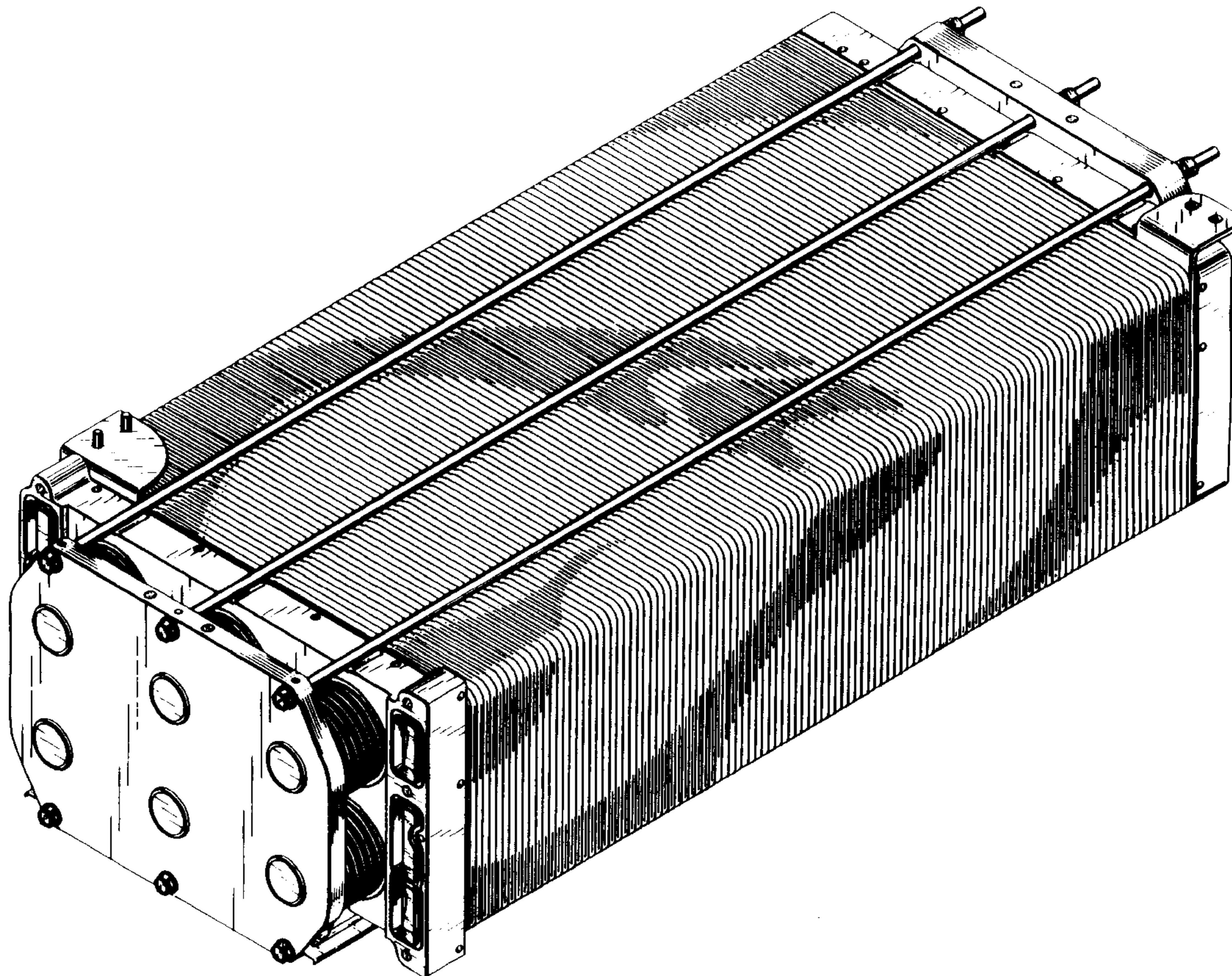
[57] CLAIM

The ornamental design for a fuel cell, as shown and described.

DESCRIPTION

FIG. 1 is a front perspective view of a fuel cell showing our new design;
FIG. 2 is a rear perspective view thereof;
FIG. 3 is a front elevation view thereof;
FIG. 4 is a rear elevation view thereof;
FIG. 5 is a top plan view thereof;
FIG. 6 is a bottom plan view thereof;
FIG. 7 is a left side elevation view thereof; and,
FIG. 8 is a right side elevation view thereof.

1 Claim, 6 Drawing Sheets



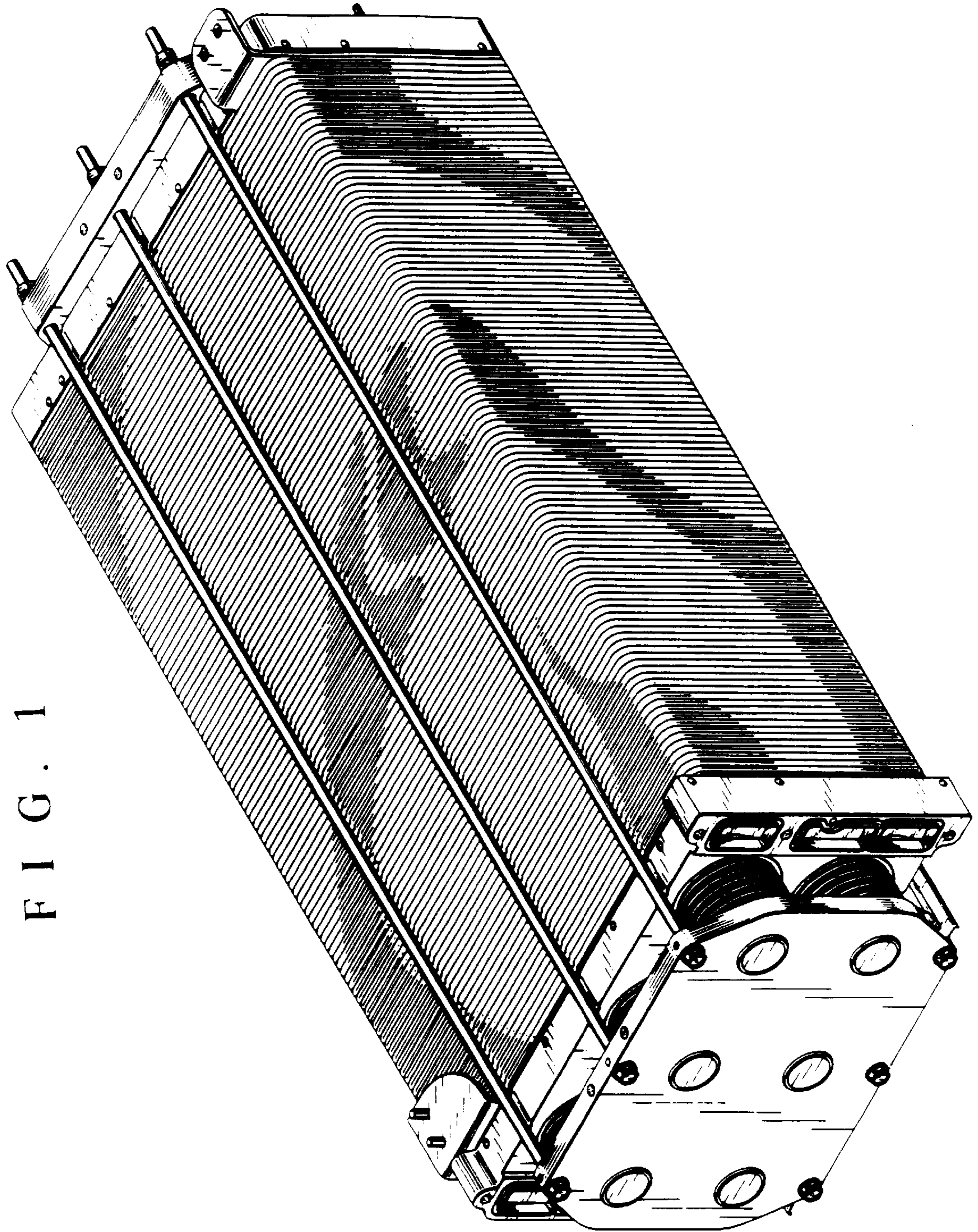


FIG. 1

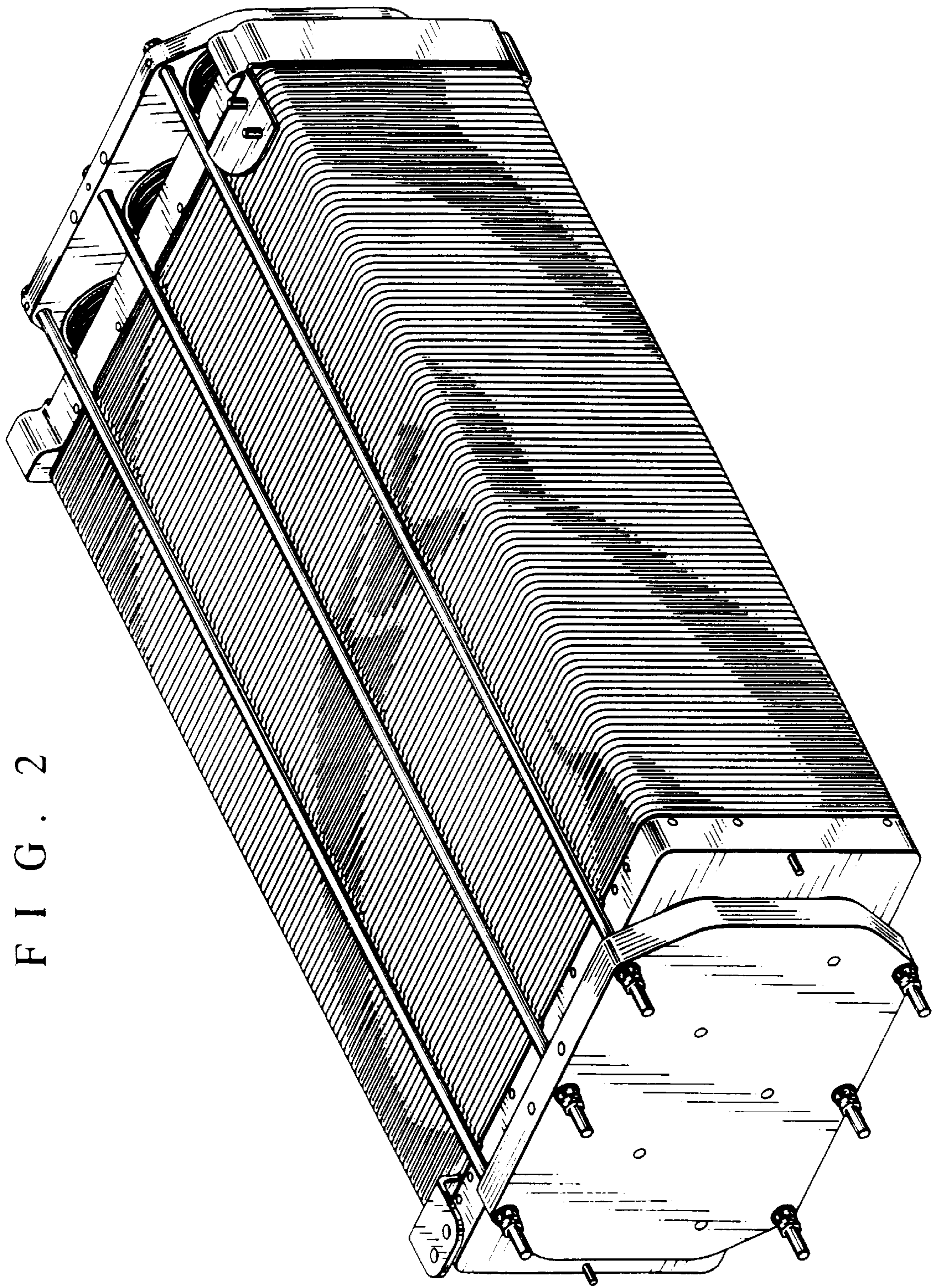


FIG. 2

FIG. 4

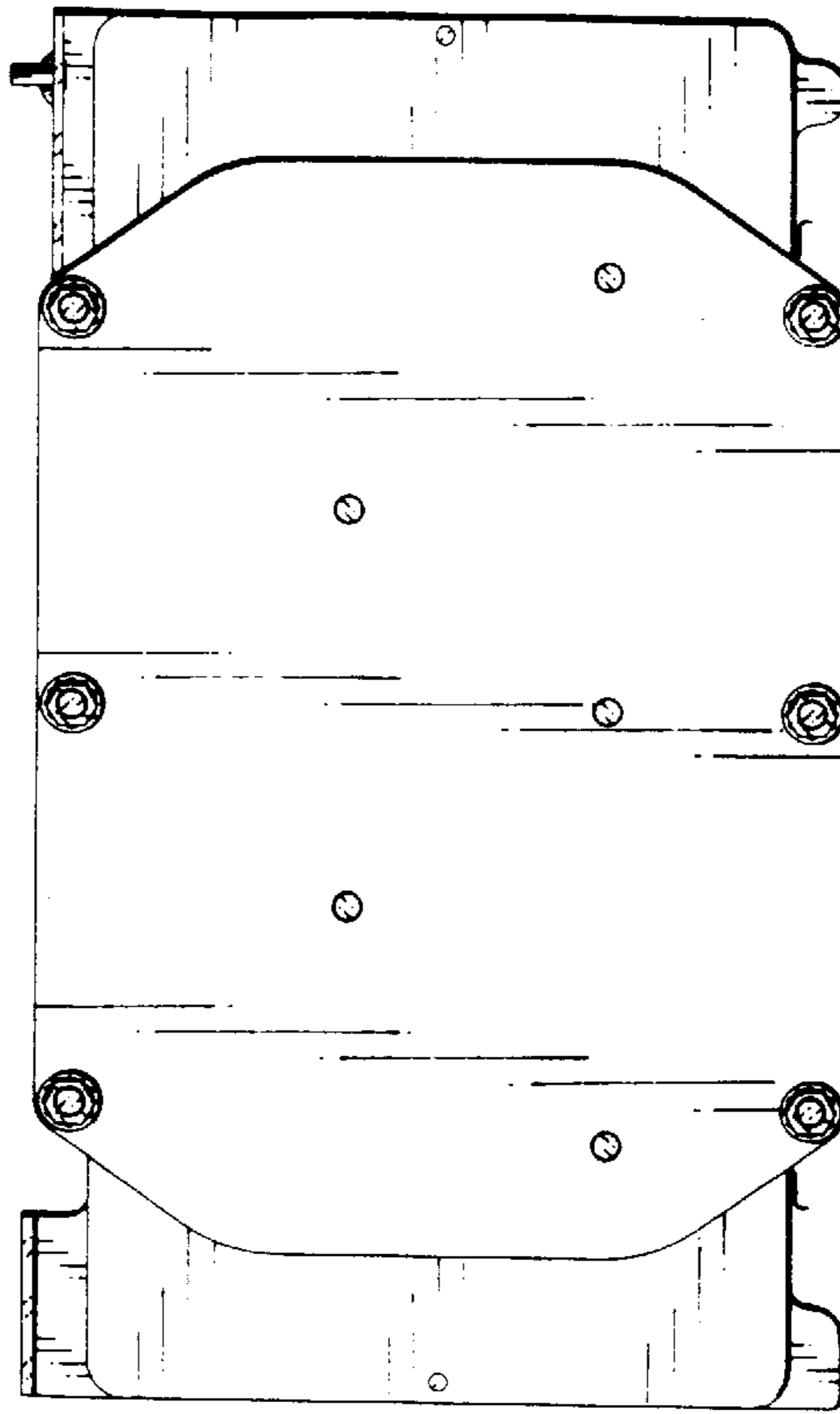


FIG. 3

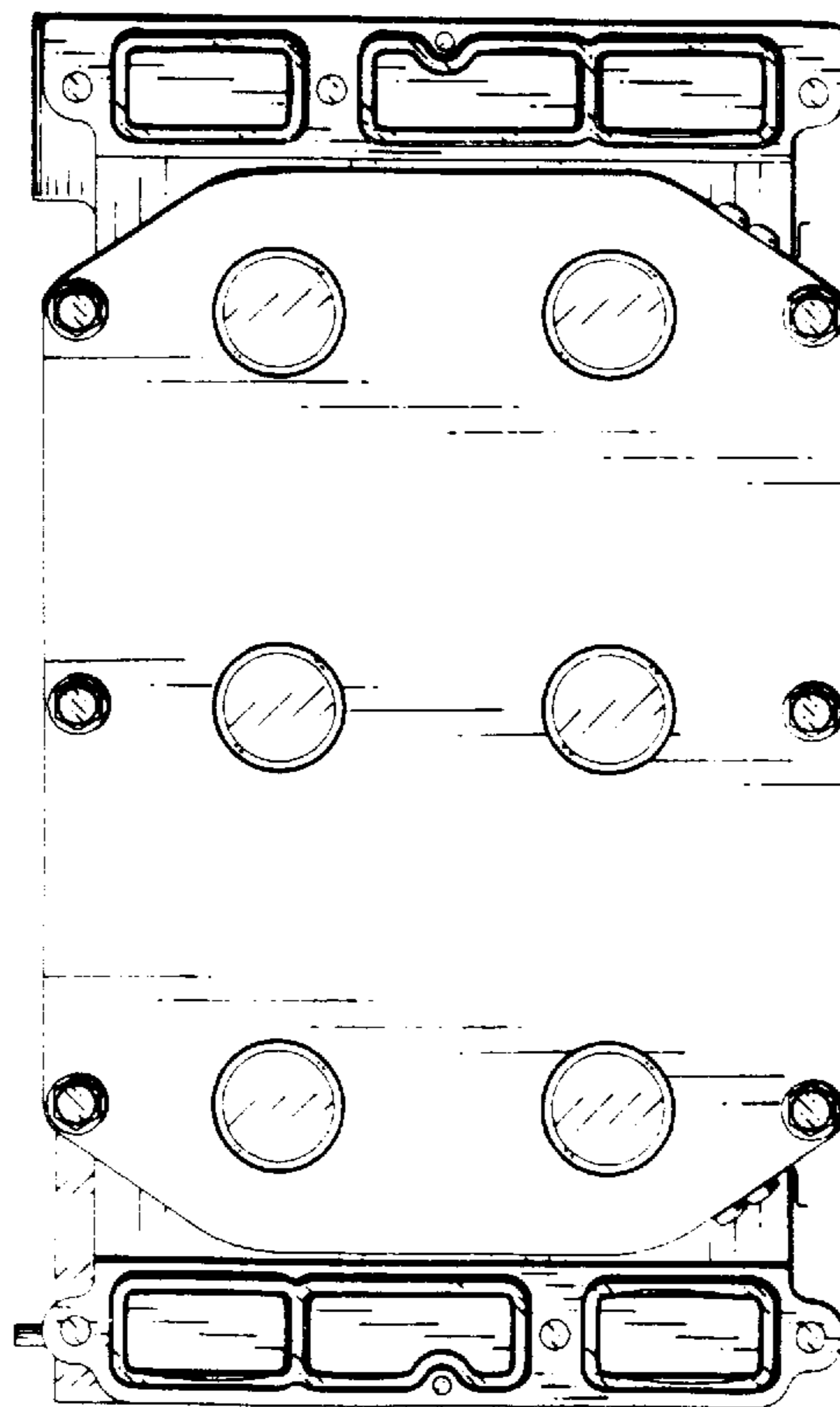


FIG. 5

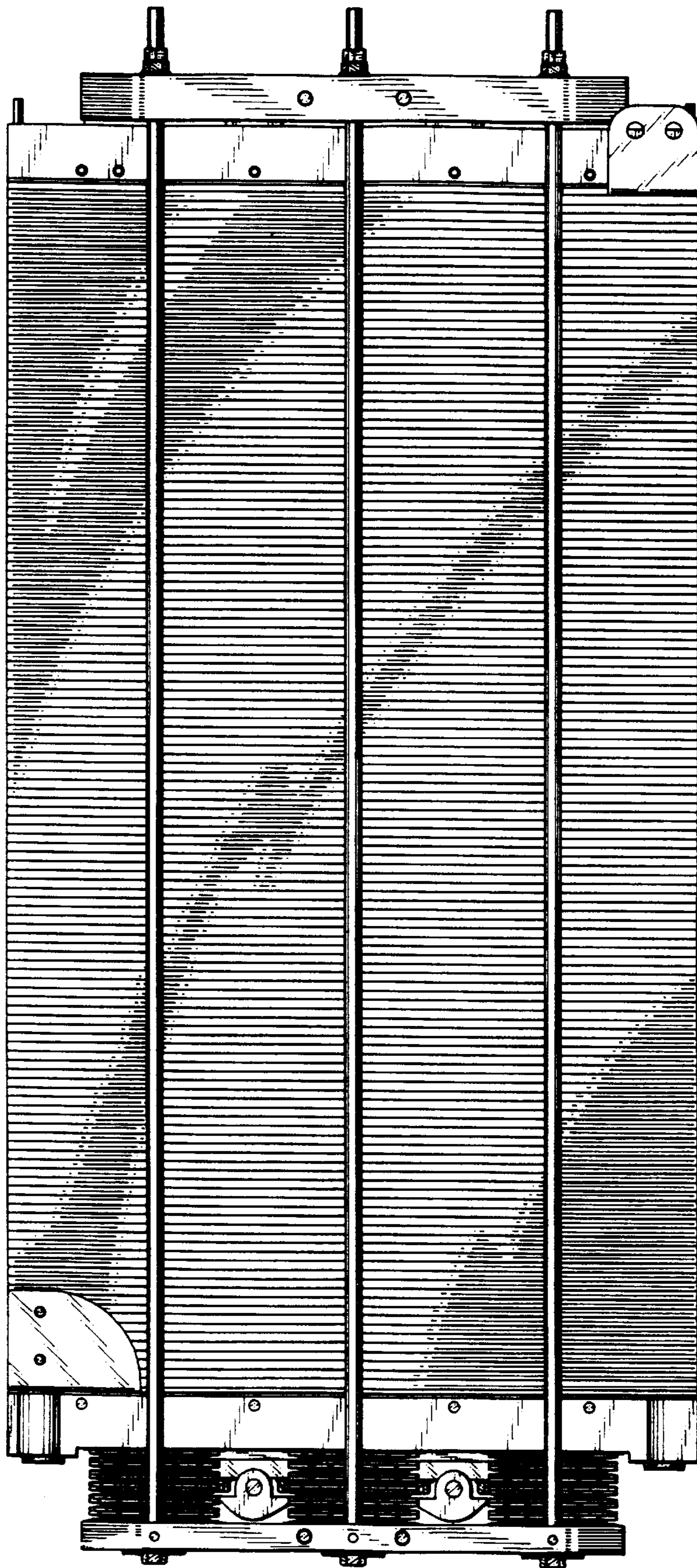


FIG. 6

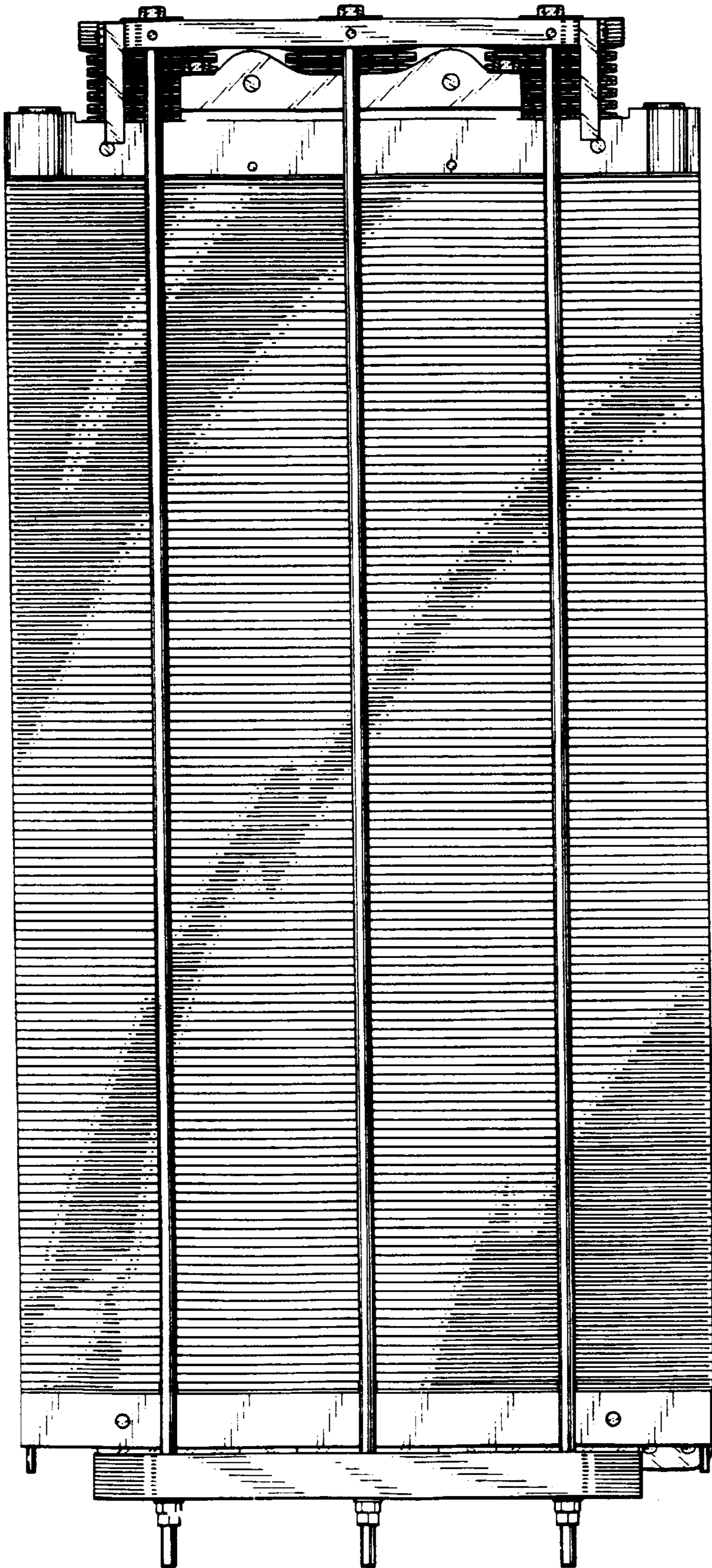


FIG. 7

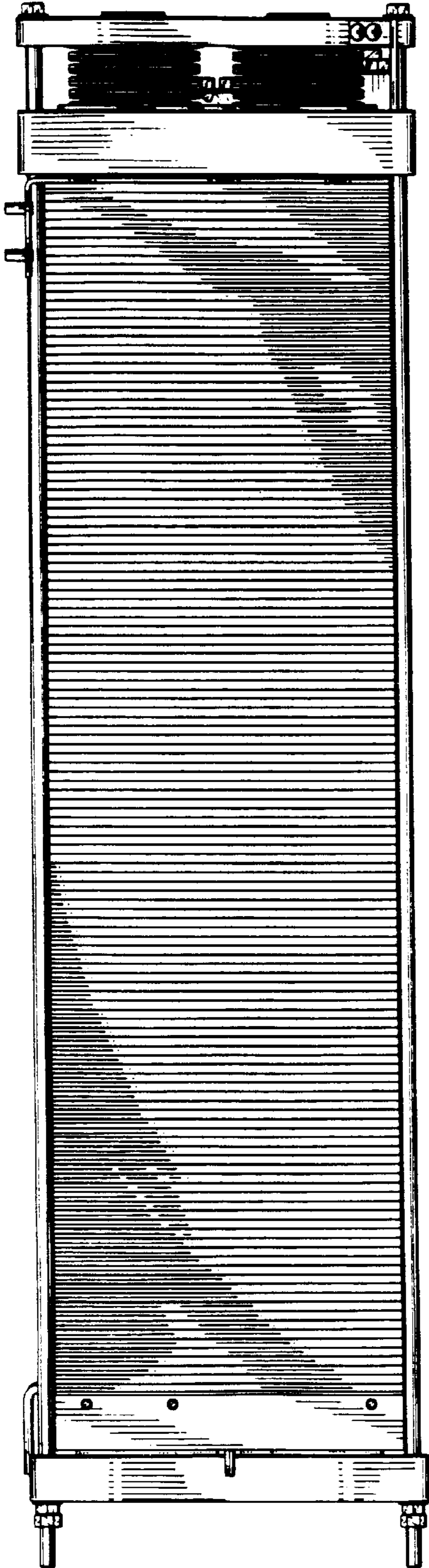


FIG. 8

