



US00D432494S

United States Patent [19]

[11] **Patent Number: Des. 432,494**

Perez

[45] **Date of Patent: ** Oct. 24, 2000**

[54] **BATTERY PACK CASING**

[75] Inventor: **Jose Perez**, Gainesville, Fla.

[73] Assignee: **Eveready Battery Company, Inc.**, St. Louis, Mo.

[**] Term: **14 Years**

[21] Appl. No.: **29/115,859**

[22] Filed: **Dec. 21, 1999**

[51] **LOC (7) Cl.** **13-02**

[52] **U.S. Cl.** **D13/103**

[58] **Field of Search** D13/103, 184;
429/96-100, 159, 163, 176; 361/690-698;
174/50, 51, 52.1

[56] **References Cited**

U.S. PATENT DOCUMENTS

D. 310,510	9/1990	Bezos	D13/128
D. 346,806	5/1994	Chong	D13/184 X
2,457,023	12/1948	Zelt	174/50
2,924,639	2/1960	Zelt	174/50 X
2,943,136	6/1960	Smith	174/52.1
4,559,699	12/1985	Owen et al.	174/50 X
4,711,361	12/1987	Mischenko	220/4.28
5,415,947	5/1995	Mitsui et al.	429/99 X

Primary Examiner—Joel Sincavage
Attorney, Agent, or Firm—Linda Gebauer

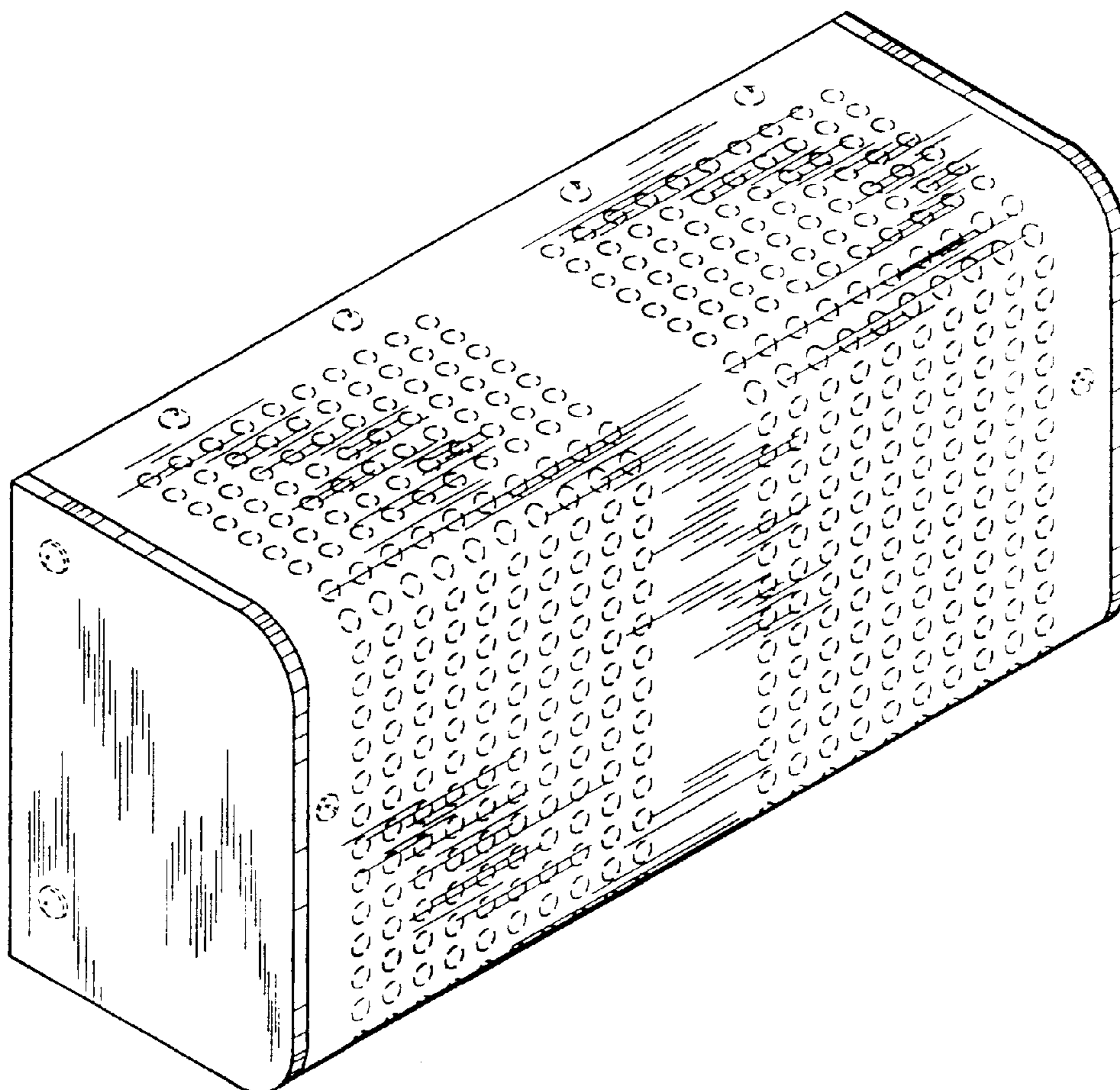
[57] **CLAIM**

I claim the ornamental design for a battery pack casing, as shown.

DESCRIPTION

FIG. 1 is a perspective view showing the front, top, and a first side of the battery pack of the present invention; FIG. 2 is a plan view of the top of the battery pack casing according to the present invention; FIG. 3 is an elevational view of the front of the battery pack casing of the present invention; FIG. 4 is an elevational view of the rear of the battery pack casing of the present invention; FIG. 5 is a perspective view showing the first side of the battery pack casing of the present invention; and FIG. 6 is a plan view of the bottom of the battery pack casing according to the present invention; and, FIG. 7 is an elevational view showing the second side of the battery pack casing according to the present invention. The broken line showing throughout the drawing figures is included for the purpose of illustrating environmental structure only and forms no part of the claimed design.

1 Claim, 2 Drawing Sheets



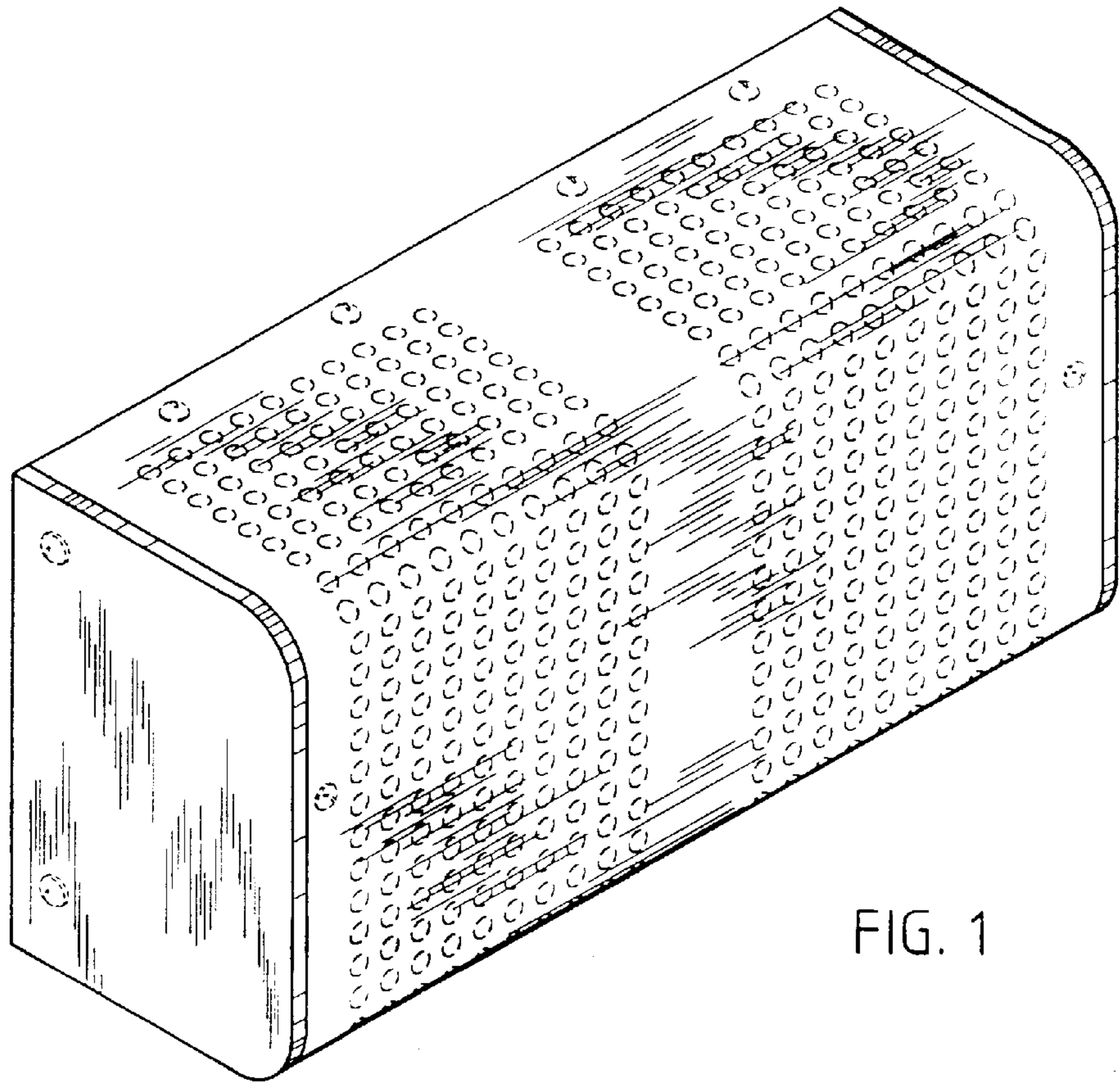


FIG. 1

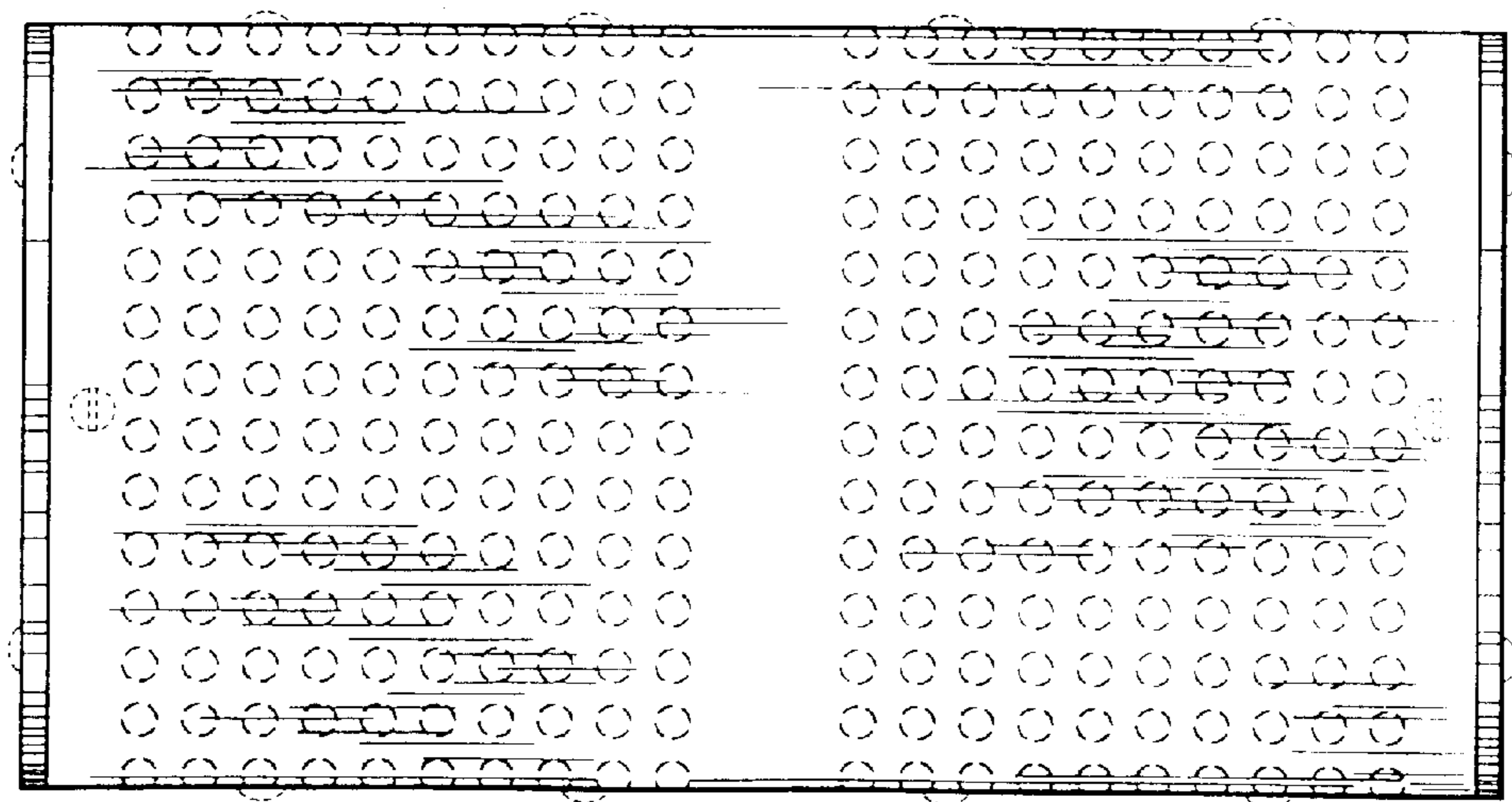


FIG. 2

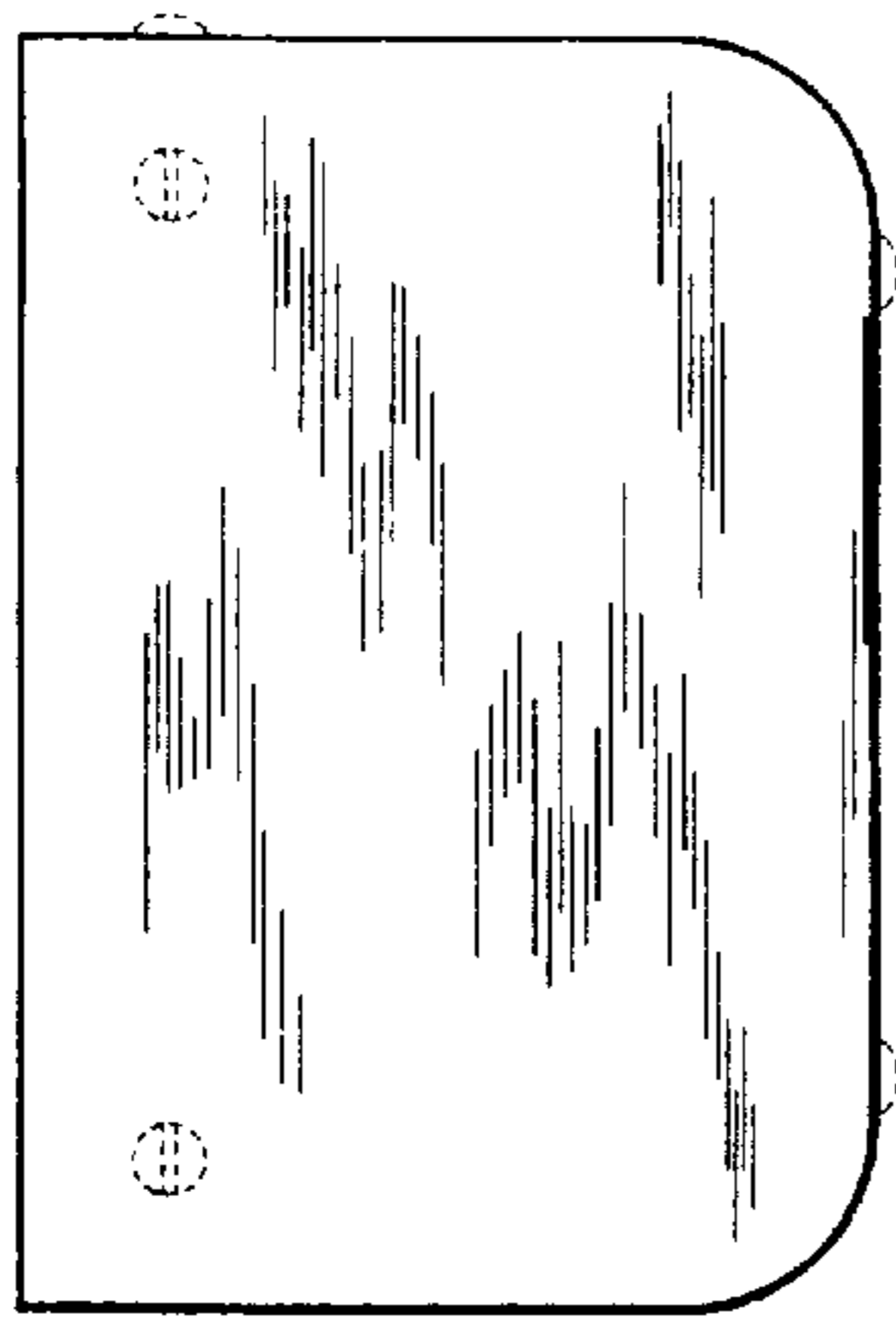


FIG. 3

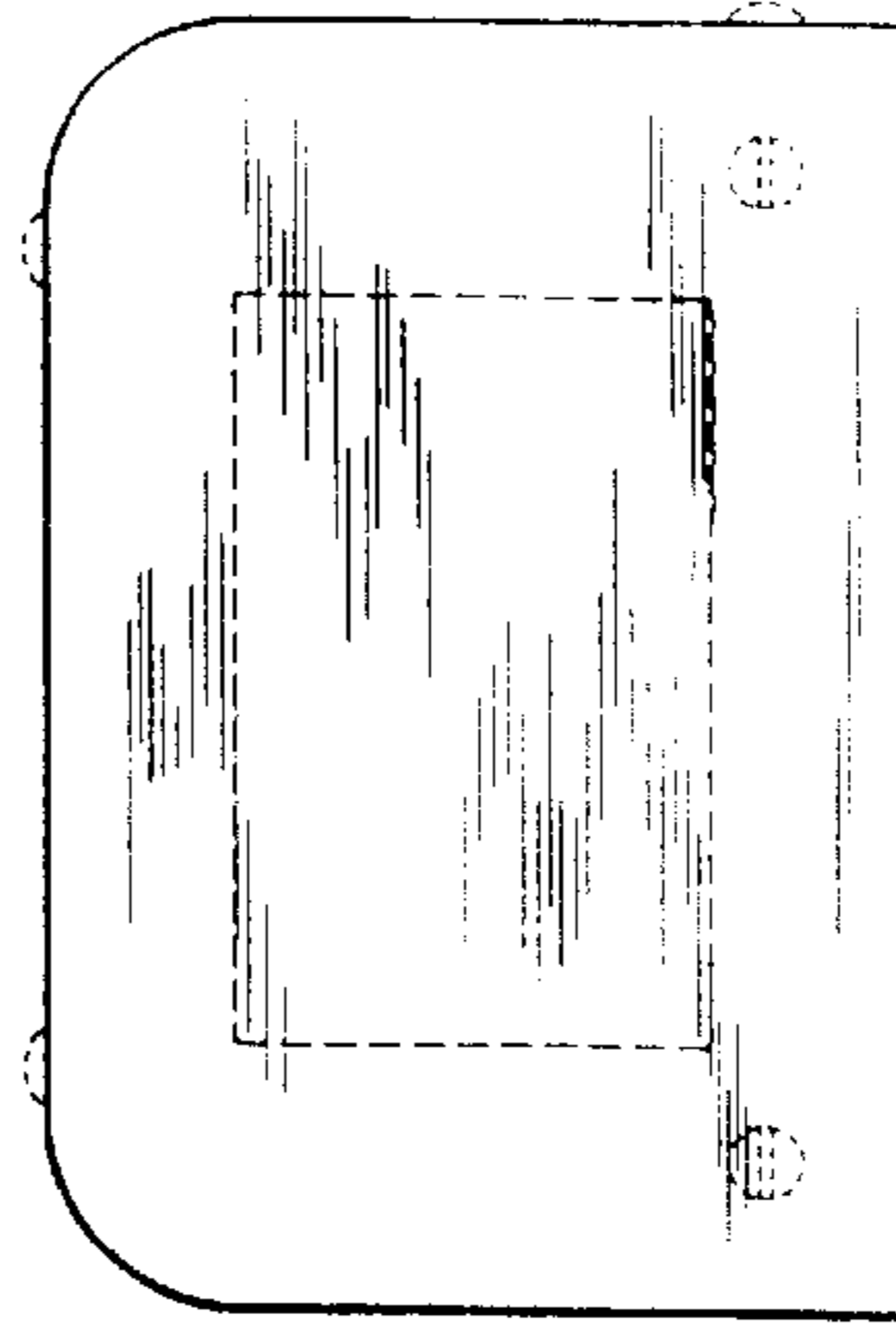


FIG. 4

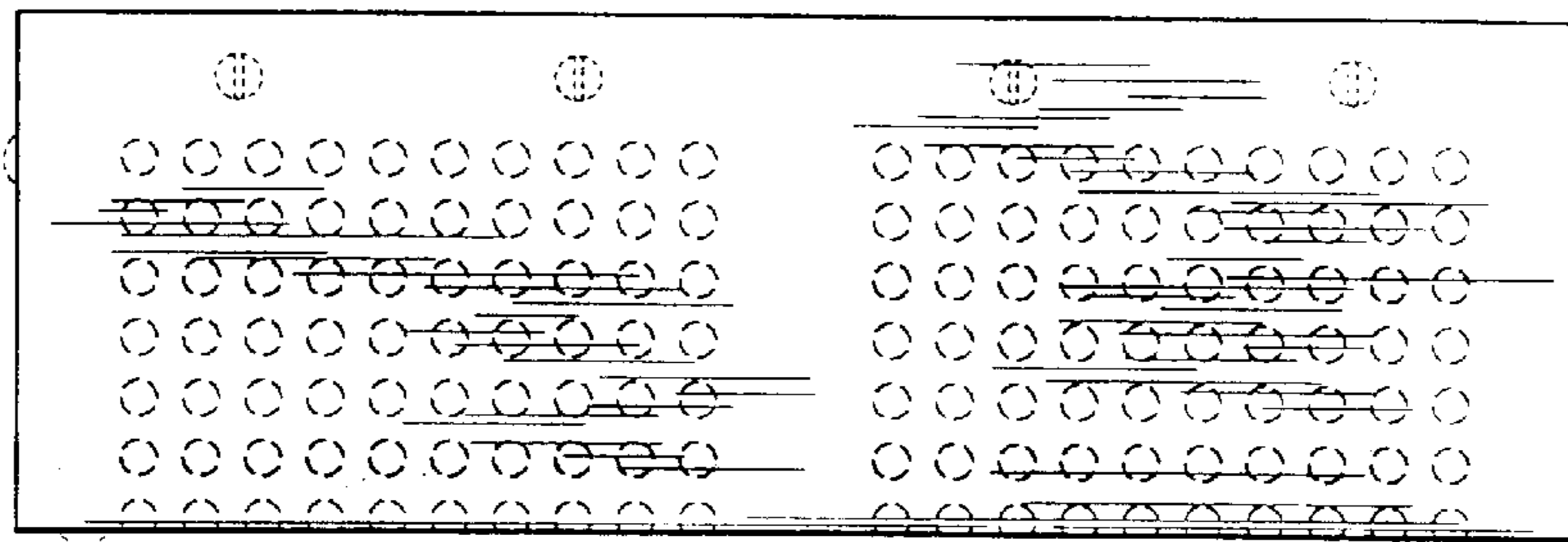


FIG. 5

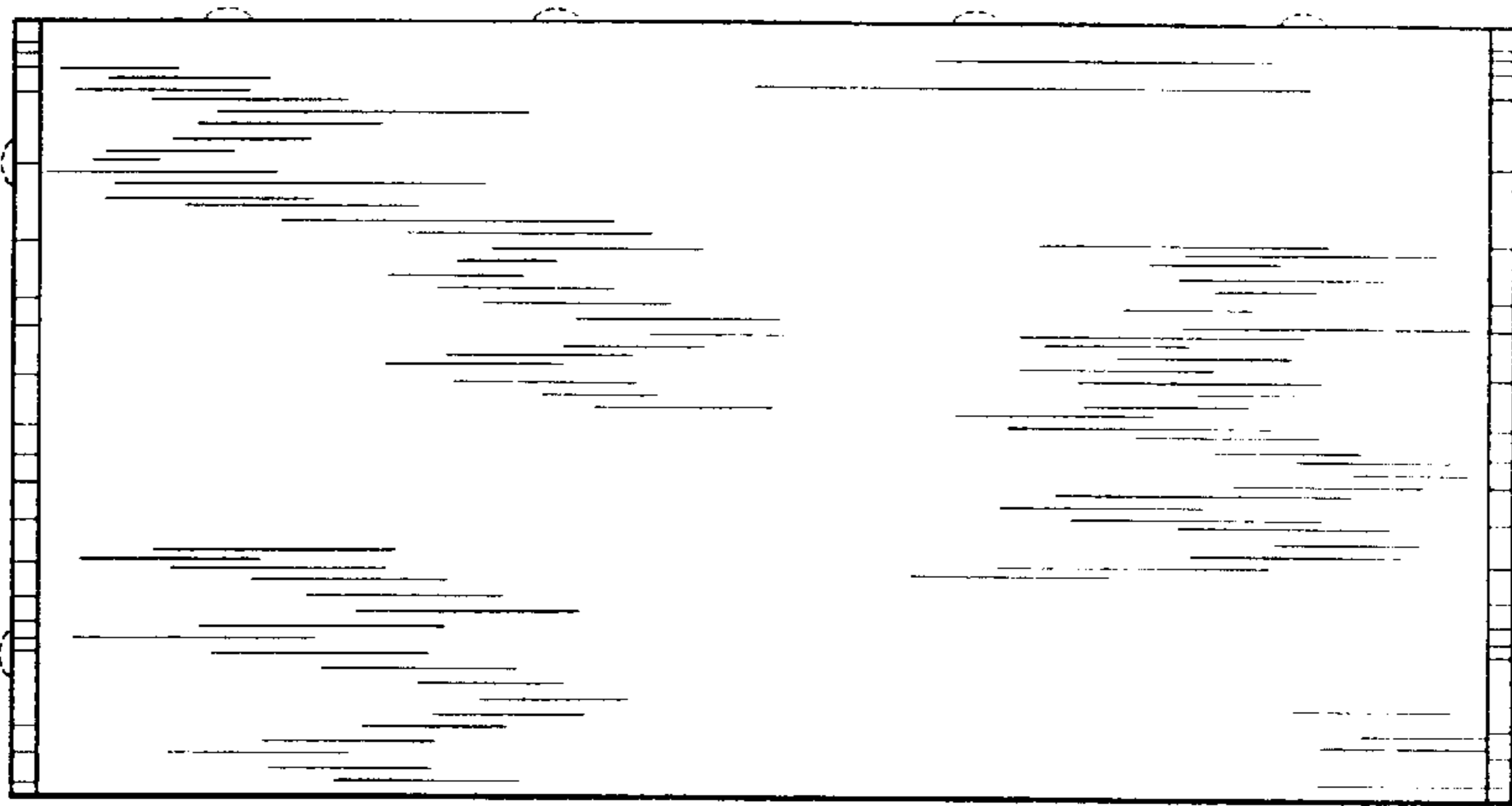


FIG. 6

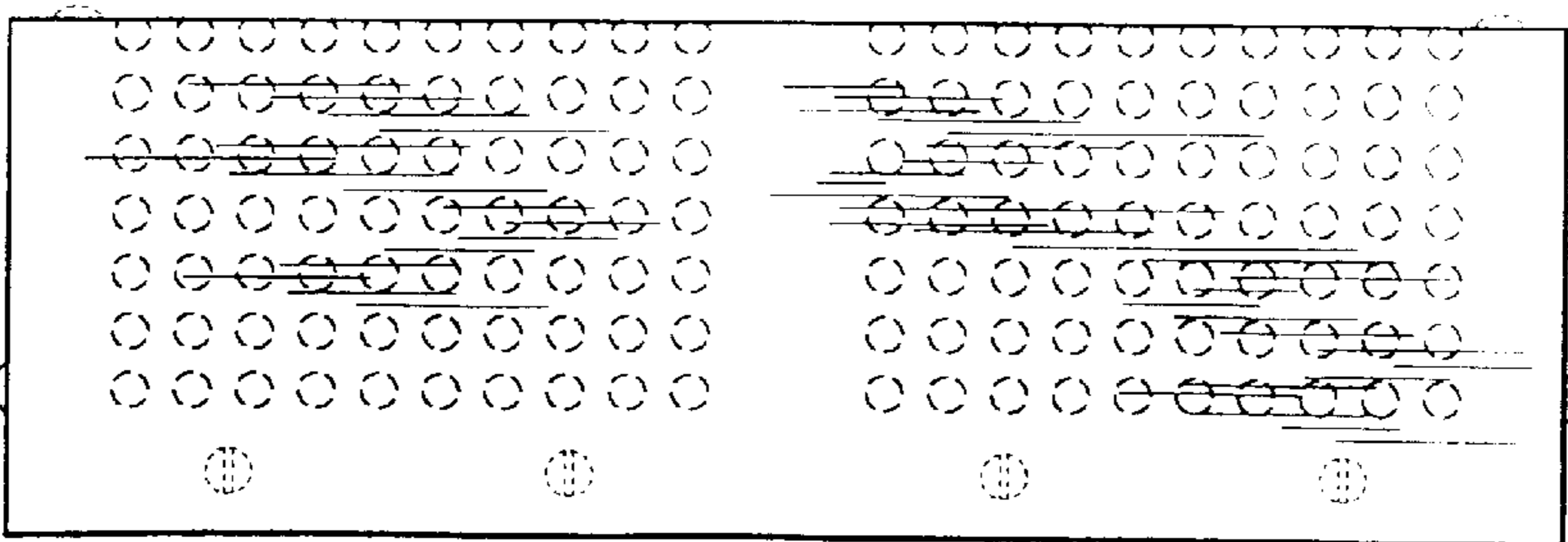


FIG. 7