



US00D432488S

United States Patent [19]

Roll et al.

[11] Patent Number: Des. 432,488

[45] Date of Patent: ** Oct. 24, 2000

[54] HITCH MOUNTABLE CARGO CARRIER

[75] Inventors: Michael J. Roll, Wausau; Todd R. Walstrom, Ringle, both of Wis.

[73] Assignee: Fulton Performance Products, Inc., Mosinee, Wis.

[**] Term: 14 Years

[21] Appl. No.: 29/113,183

[22] Filed: Oct. 29, 1999

[51] LOC (7) Cl. 12-16

[52] U.S. Cl. D12/406

[58] Field of Search D12/162, 172, D12/203, 400, 406, 408-414.1; D3/23, 38; 224/504-505, 518-519, 521-526, 528-530, 42.43-42.44, 42.07-42.08; 280/163, 166, 30, 639, 769, 491.2, 415.1, 47.34; 296/37.1, 37.2; 108/129-132, 152, 44

[56] References Cited

U.S. PATENT DOCUMENTS

D. 305,632	1/1990	Kraklio	D12/400
D. 356,200	3/1995	Kern et al.	D34/38 X
D. 370,452	6/1996	Beasley	D12/203
D. 398,434	9/1998	Agtuca	D34/38 X
3,913,811	10/1975	Spencer	224/42.08
4,057,125	11/1977	Kroft	280/166 X

4,089,276	5/1978	Enos	108/44
4,234,284	11/1980	Hauff	224/42.44 X
4,274,648	6/1981	Robins	280/166
4,394,947	7/1983	Tartaglia	224/42.43
4,744,590	5/1988	Chesney	280/769
4,813,584	3/1989	Wiley	224/42.44
4,906,015	3/1990	Lacroix et al.	280/415.1
5,215,234	6/1993	Pasley	224/42.43
5,368,209	11/1994	Hill	224/42.44
5,570,826	11/1996	Garbes et al.	224/524
5,676,292	10/1997	Miller	224/524
5,853,278	12/1998	Frantz	224/504 X

Primary Examiner—Stacia Cadmus
Attorney, Agent, or Firm—Leon E. Redman; Lloyd D. Doigan

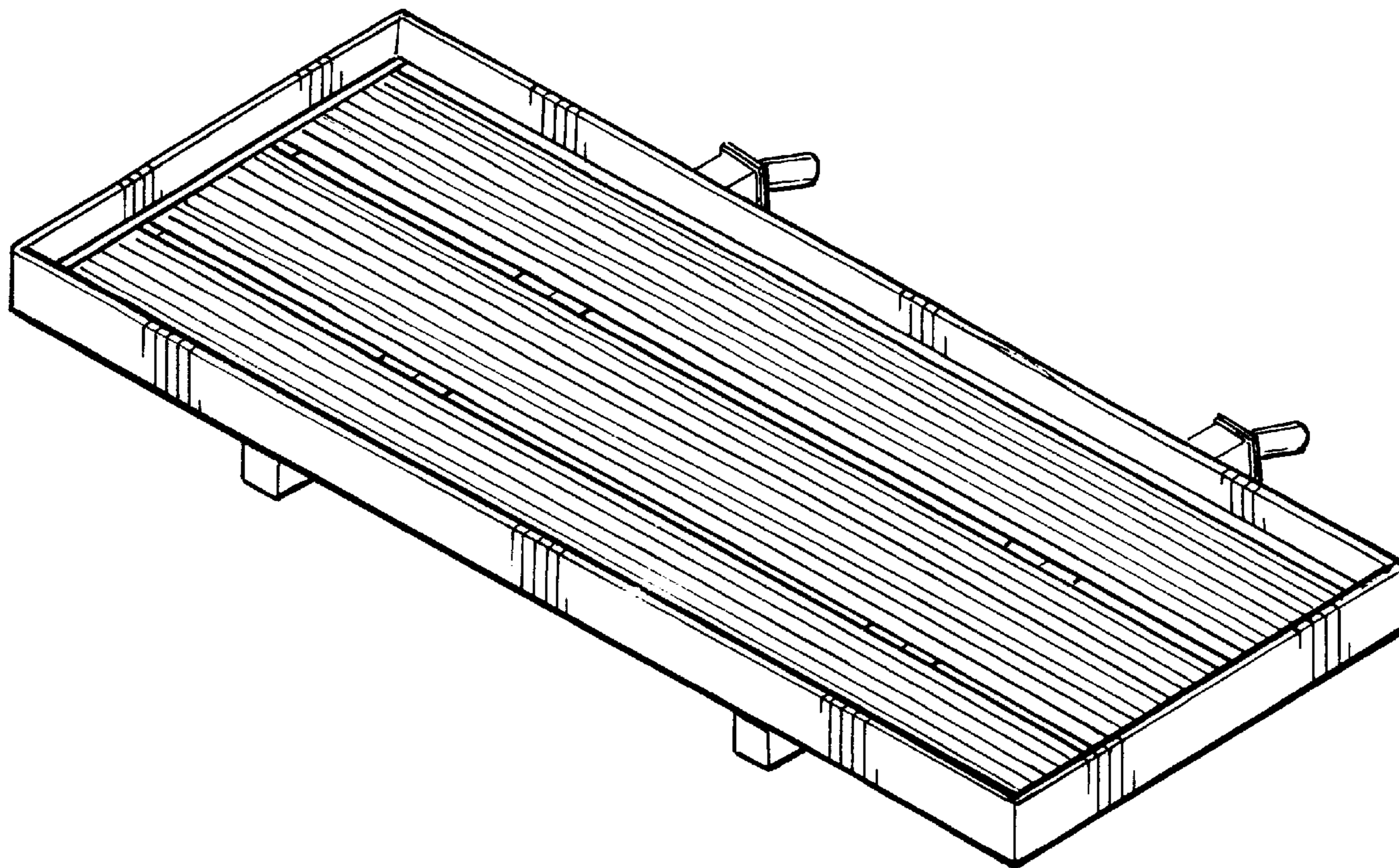
[57] CLAIM

The ornamental design for a hitch mountable cargo carrier, as shown and described.

DESCRIPTION

FIG. 1 is a perspective view of the hitch mountable cargo carrier showing our new design; FIG. 2 is a top plan view thereof; FIG. 3 is a front elevational view thereof; FIG. 4 is a bottom plan view thereof; FIG. 5 is a right side elevational view thereof, the left side being a mirror image of the left shown; and, FIG. 6 is a rear elevational view thereof.

1 Claim, 2 Drawing Sheets



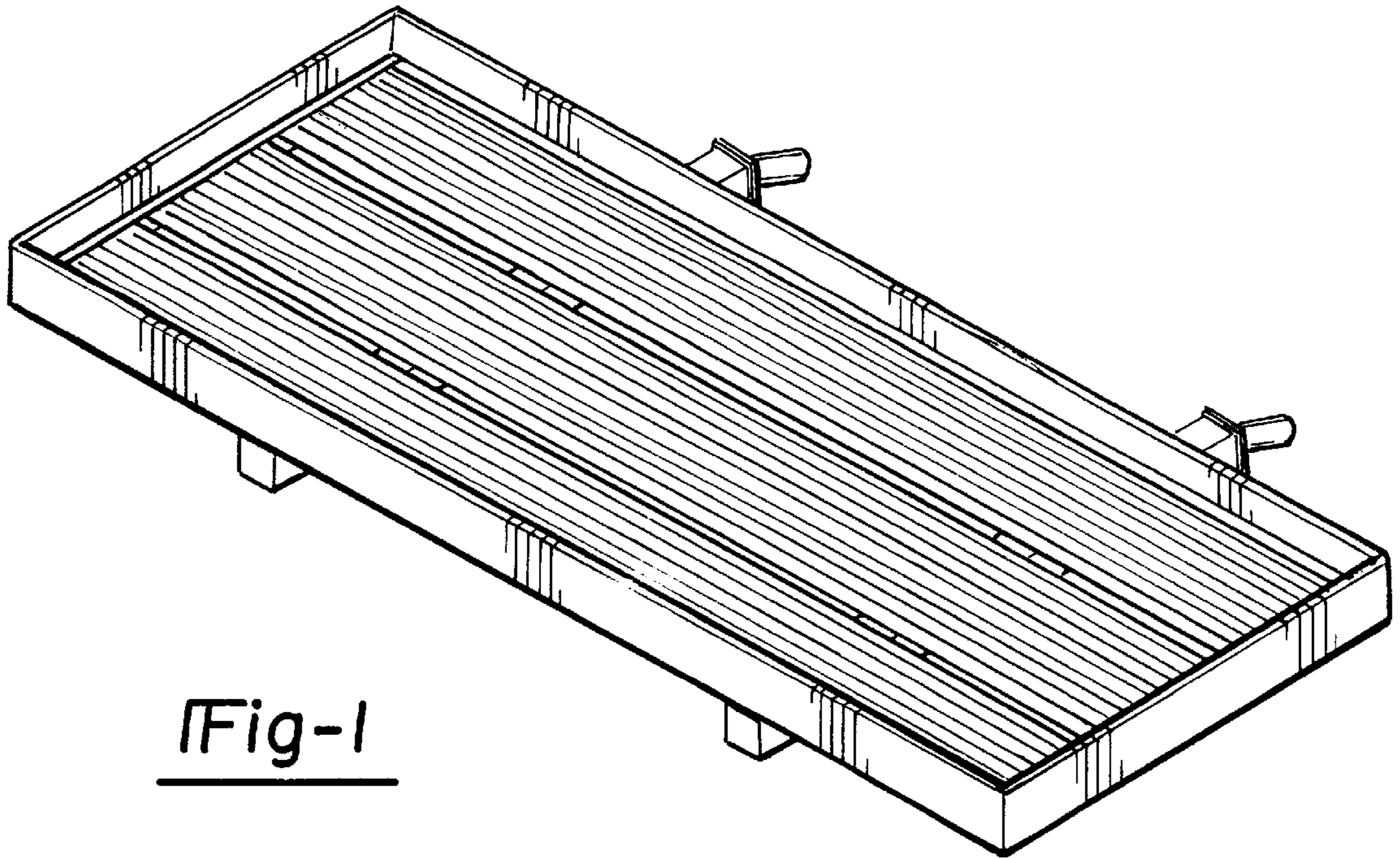


Fig-1

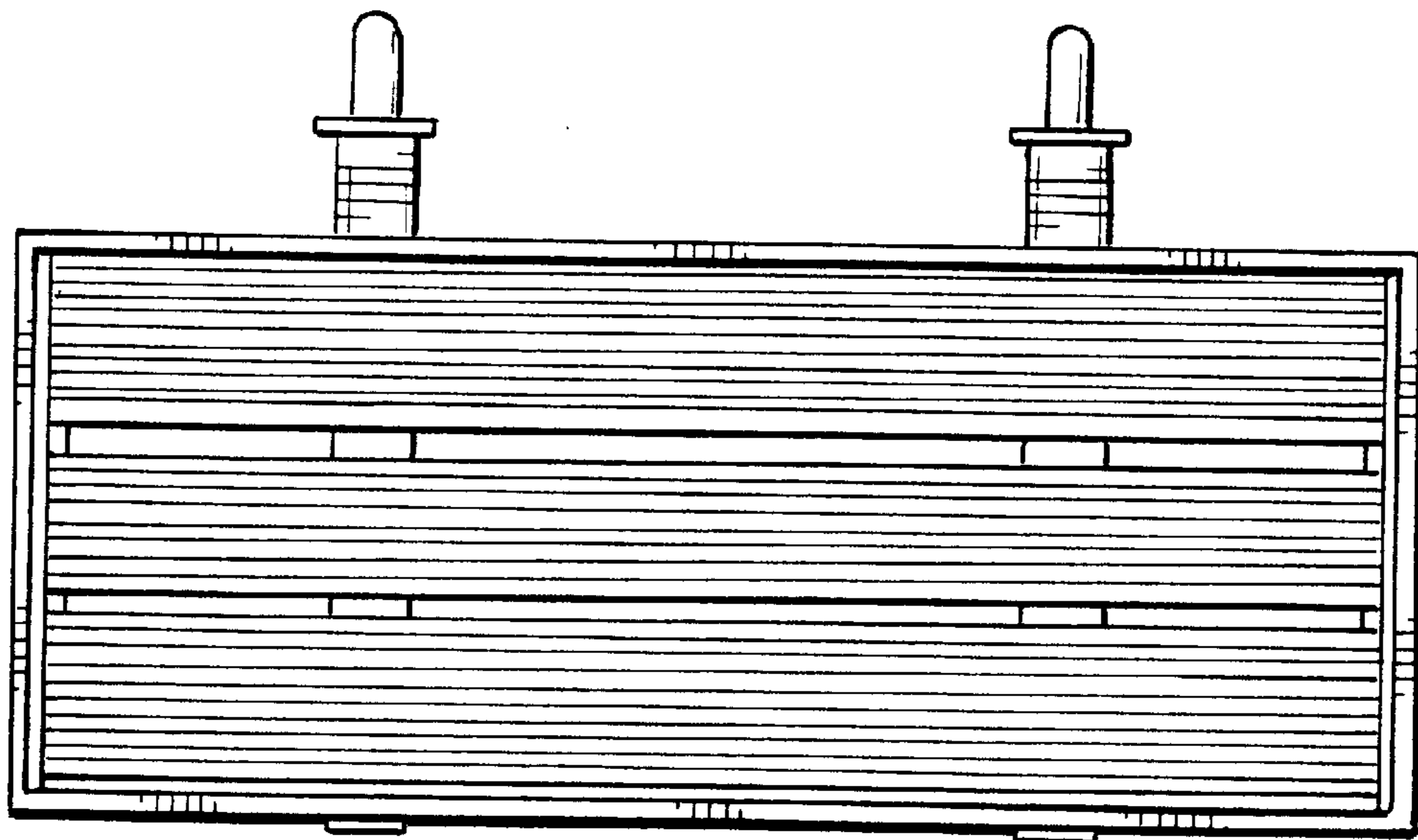


Fig-2

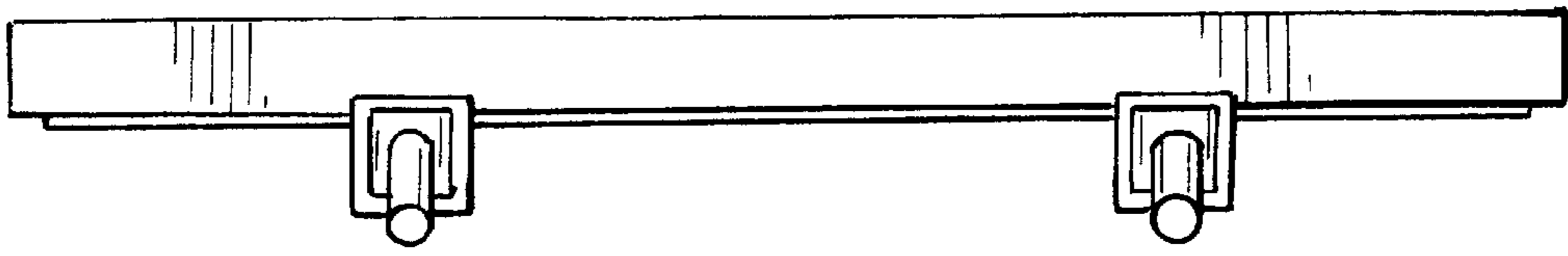


Fig-3

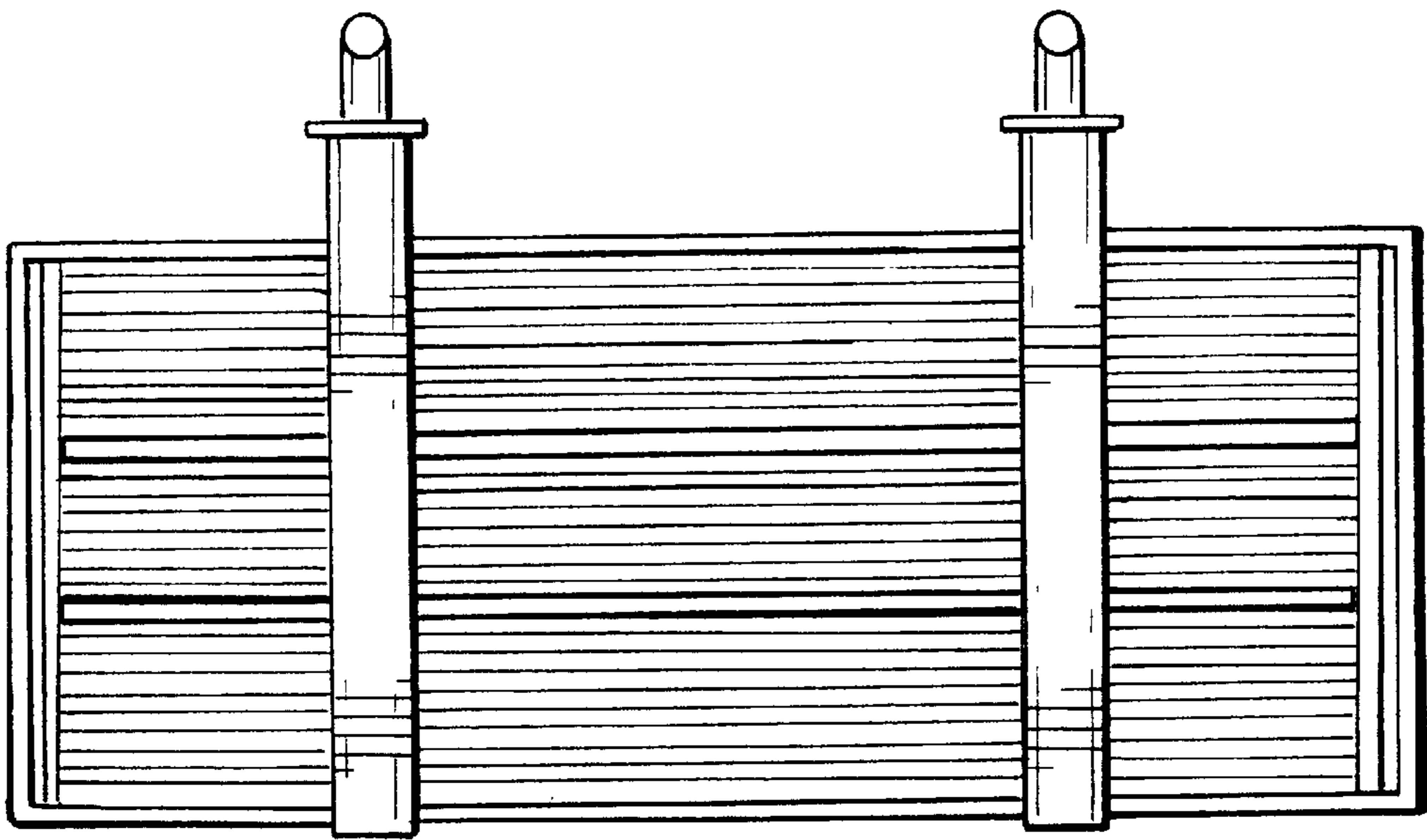


Fig-4

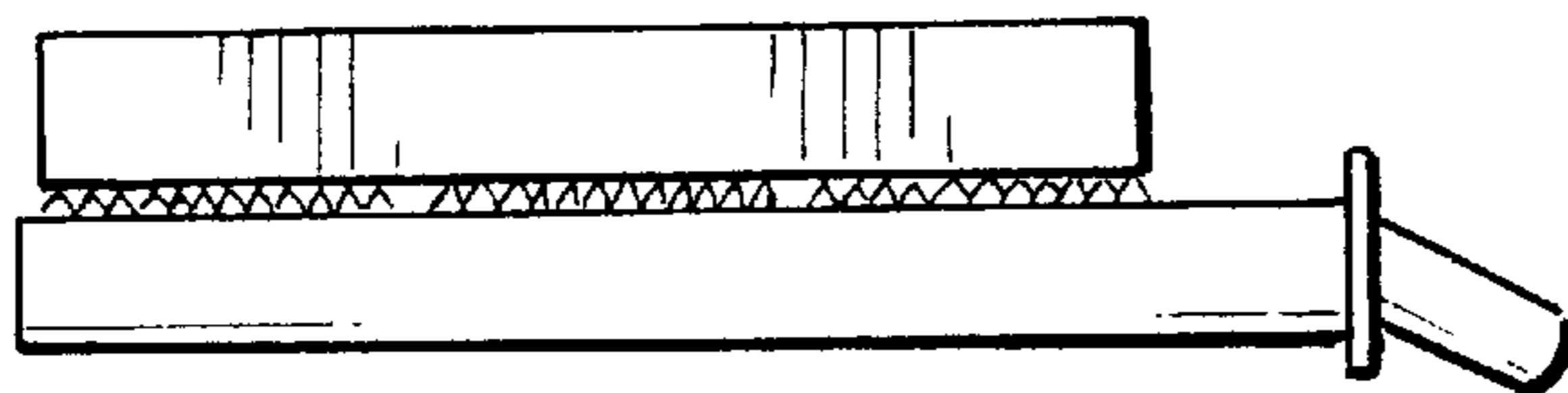


Fig-5

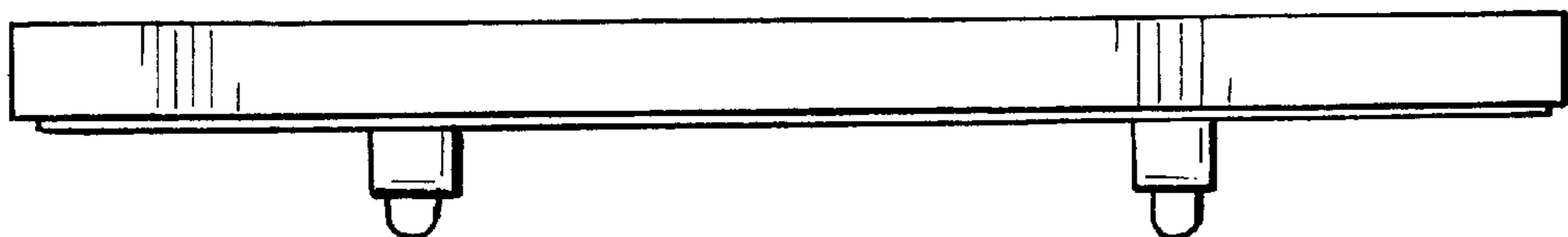


Fig-6