



US00D432484S

United States Patent [19] Chung

[11] Patent Number: Des. 432,484

[45] Date of Patent: ** Oct. 24, 2000

[54] AUTOMOTIVE WHEEL

[75] Inventor: Suny Chung, Placentia, Calif.

[73] Assignee: MKW Alloy Inc, City of Industry, Calif.

[**] Term: 14 Years

[21] Appl. No.: 29/121,084

[22] Filed: Apr. 3, 2000

[51] LOC (7) Cl. 12-16

[52] U.S. Cl. D12/211

[58] Field of Search D12/204-211;
301/37.1, 64.1, 65

D. 396,681	8/1998	Boyer	D12/209
D. 403,289	12/1998	Watanabe	D12/209
D. 407,055	3/1999	Kelley	D12/209
D. 414,738	10/1999	Escue	D12/209
D. 416,849	11/1999	Weidhase	D12/211
D. 420,637	2/2000	Glade	D12/209
D. 422,258	4/2000	Hale, Jr.	D12/211

Primary Examiner—Stacia Cadmus
Attorney, Agent, or Firm—G. Donald Weber, Jr.

[57] CLAIM

The ornamental design for an automotive wheel, as shown and described.

DESCRIPTION

FIG. 1 is an oblique view of the automotive wheel of the instant invention; and, FIG. 2 is a side elevation view of the automotive wheel of the instant invention.

The broken line showing of environment is for illustrative purposes only and forms no part of the claimed design.

1 Claim, 1 Drawing Sheet

[56] References Cited

U.S. PATENT DOCUMENTS

D. 236,611	9/1975	Carter	D12/211
D. 285,677	9/1986	Menking	D12/211
D. 368,464	4/1996	Morley et al.	D12/209
D. 384,633	10/1997	Syring	D12/211

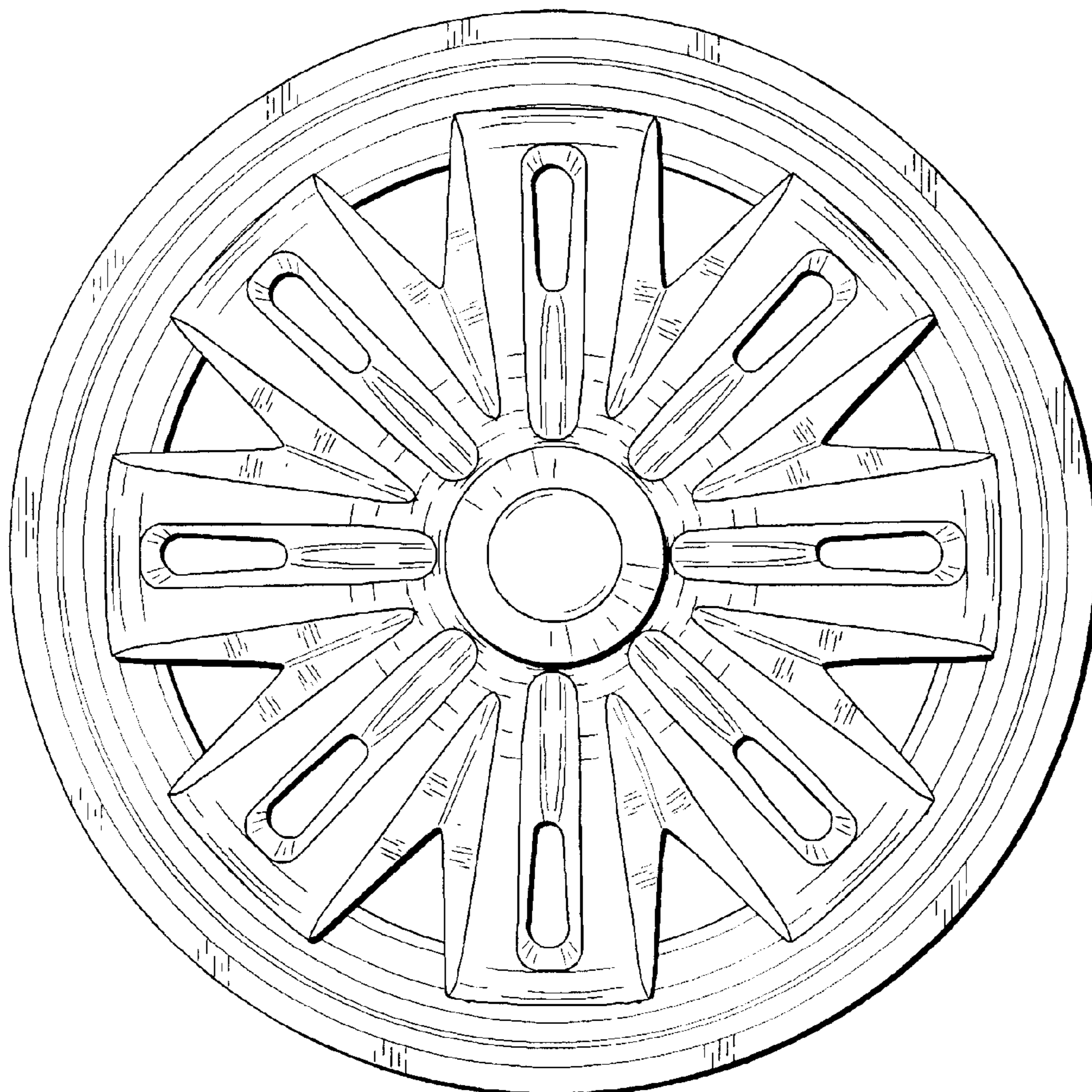


Fig. 1

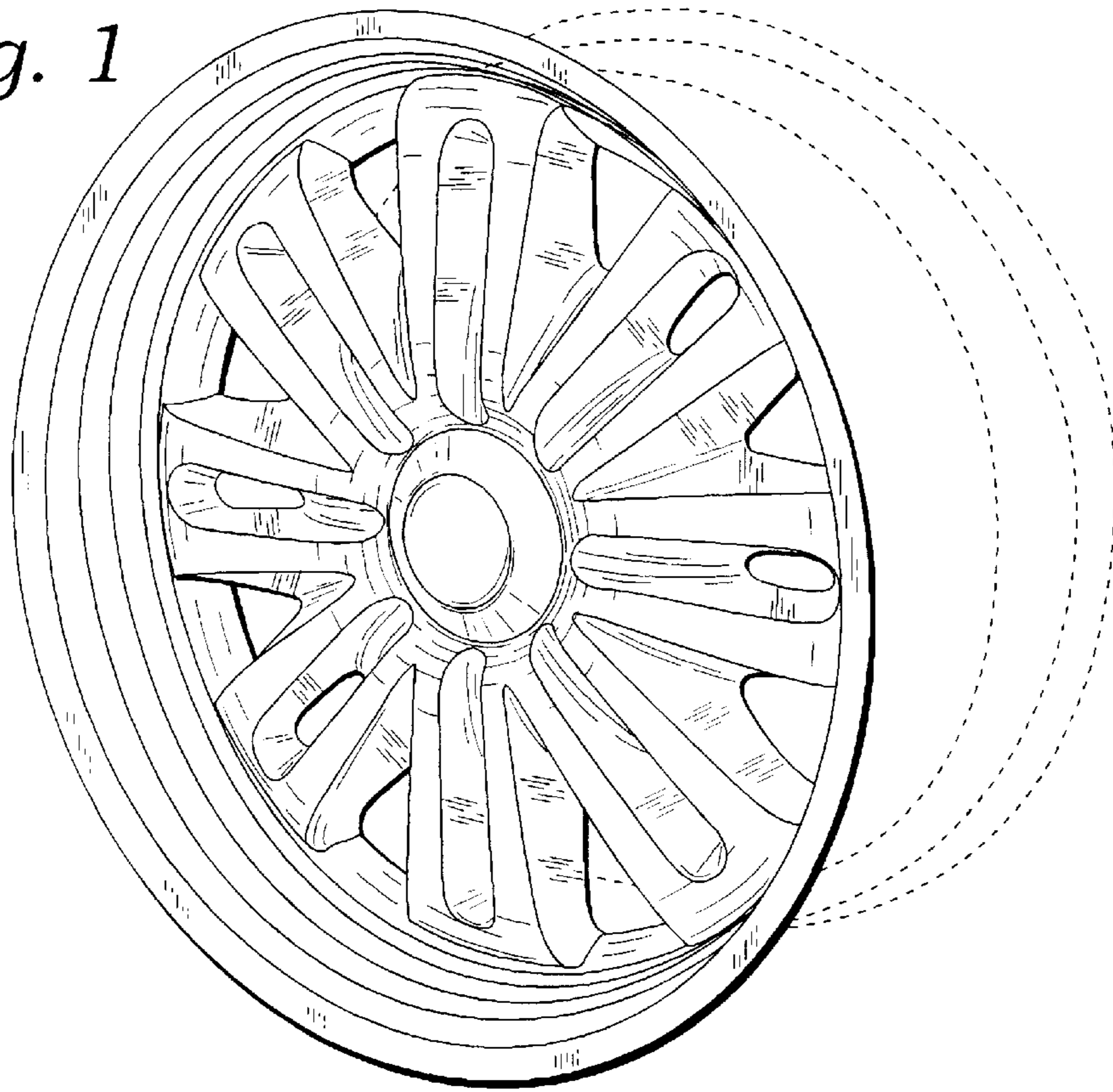


Fig. 2

