



US00D432481S

United States Patent [19]
Brown

[11] **Patent Number: Des. 432,481**

[45] **Date of Patent: ** Oct. 24, 2000**

[54] **WHEEL**

[75] Inventor: **Larry Paul Brown**, Altadena, Calif.

[73] Assignee: **Ultra Wheel Co.**, Buena Park, Calif.

[**] Term: **14 Years**

[21] Appl. No.: **29/123,145**

[22] Filed: **May 11, 2000**

[51] **LOC (7) Cl.** **12-16**

[52] **U.S. Cl.** **D12/209**

[58] **Field of Search** D12/204-211;
301/37.1, 64.1, 65

D. 424,501 5/2000 Hussaini et al. D12/209
D. 427,129 6/2000 Lee D12/209
D. 427,132 6/2000 Lee D12/211

Primary Examiner—Stacia Cadmus
Attorney, Agent, or Firm—Pretty, Schroeder & Poplawski, P.C.

[57] **CLAIM**

The ornamental design for a wheel, as shown and described.

DESCRIPTION

FIG. 1 is a perspective view of a wheel showing my new design;
FIG. 2 is a front elevational view thereof;
FIG. 3 is a left-side elevational view thereof, the right side being a mirror image of the left side; and,
FIG. 4 is a cross-sectional view thereof taken along the line 4-4 in FIG. 2.

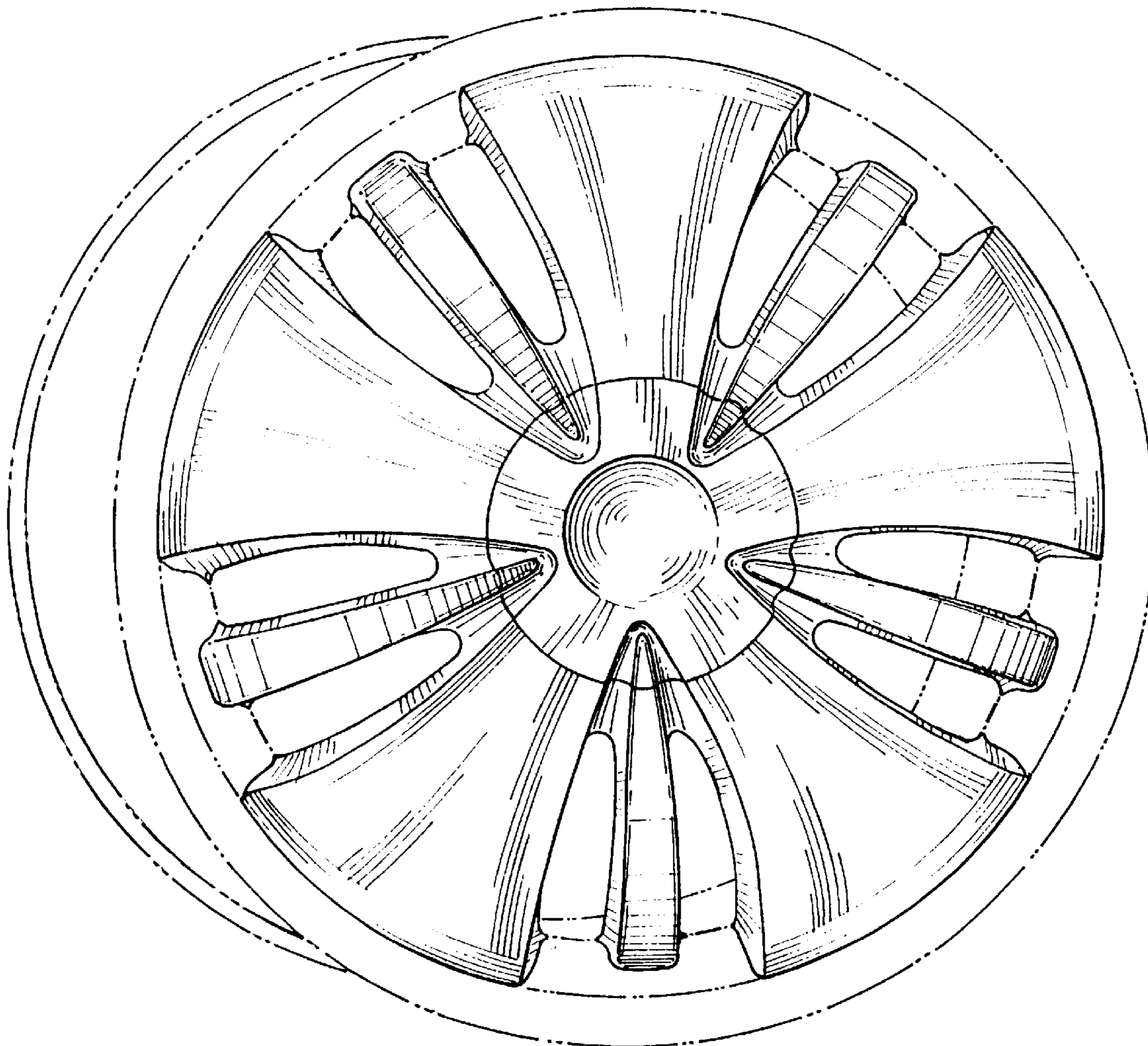
The broken line disclosure in FIGS. 1-4 is for illustrative purposes only and forms no part of the claimed design.
The rear of the wheel forms no part of the claimed design.

[56] **References Cited**

U.S. PATENT DOCUMENTS

D. 392,236 3/1998 Noriega D12/209
D. 402,250 12/1998 Fike et al. D12/209
D. 403,647 1/1999 Rotundo D12/209
D. 409,552 5/1999 Chung D12/211
D. 419,945 2/2000 Hartanto D12/211

1 Claim, 4 Drawing Sheets



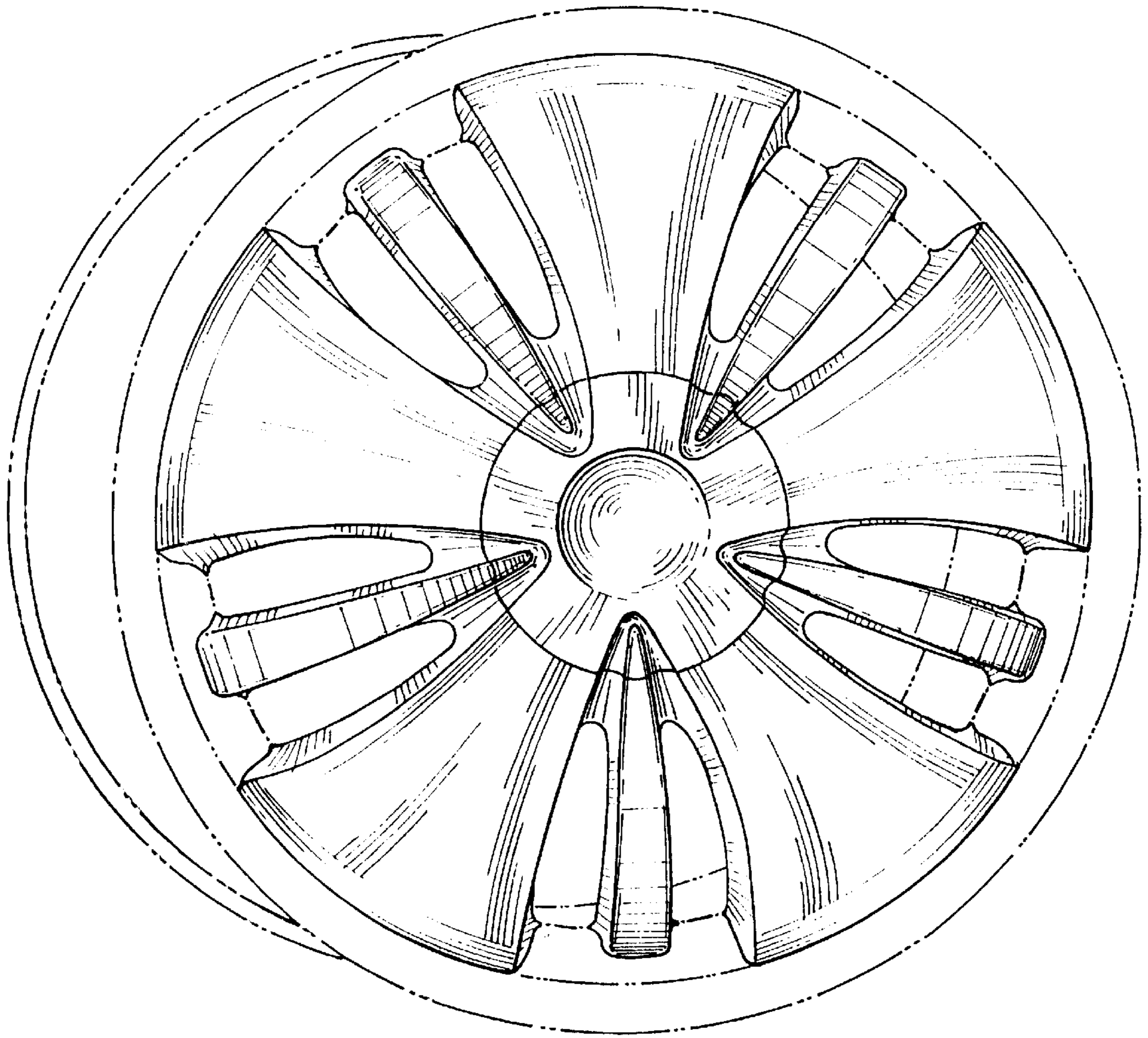


FIG. 1

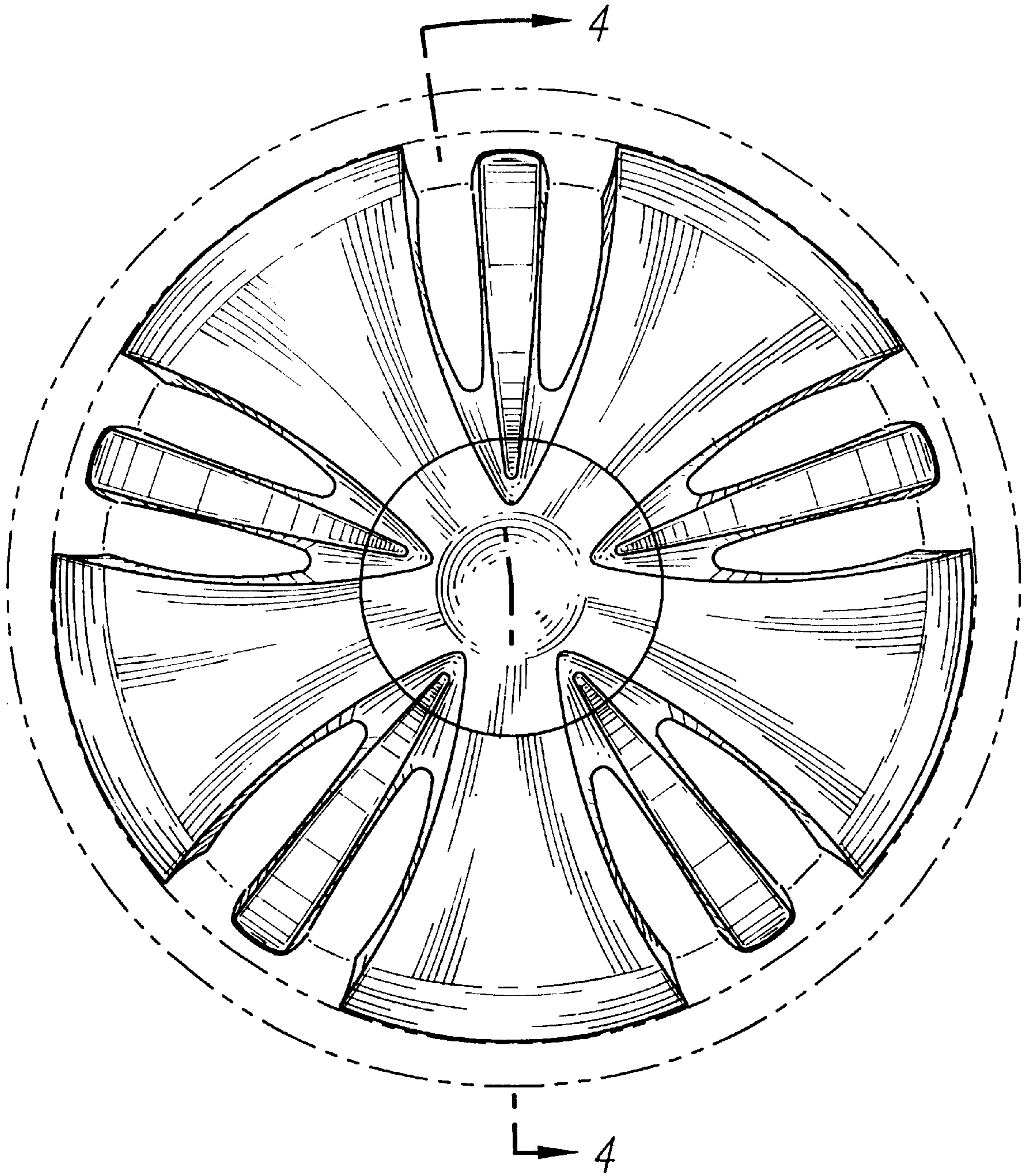
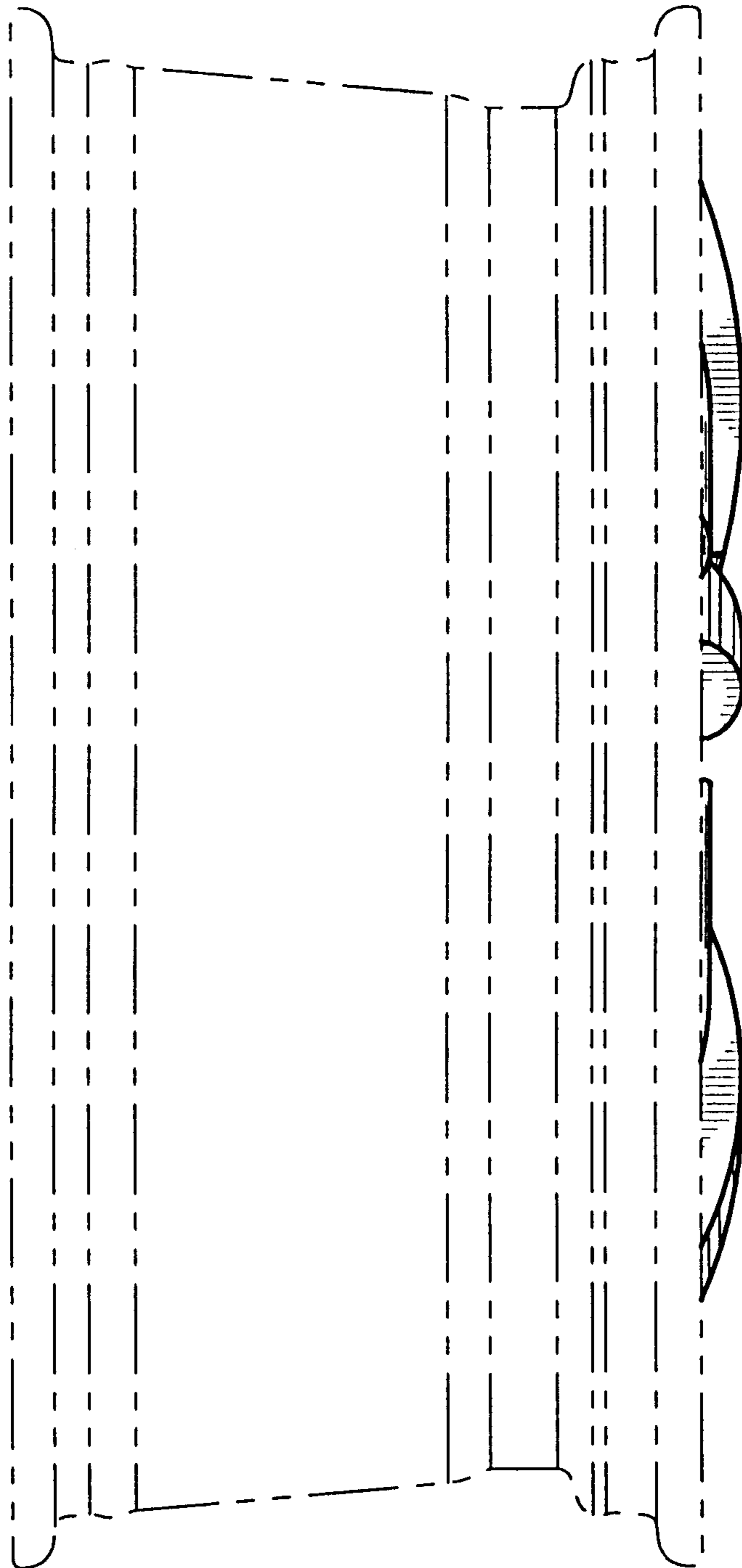


FIG. 2

FIG. 3



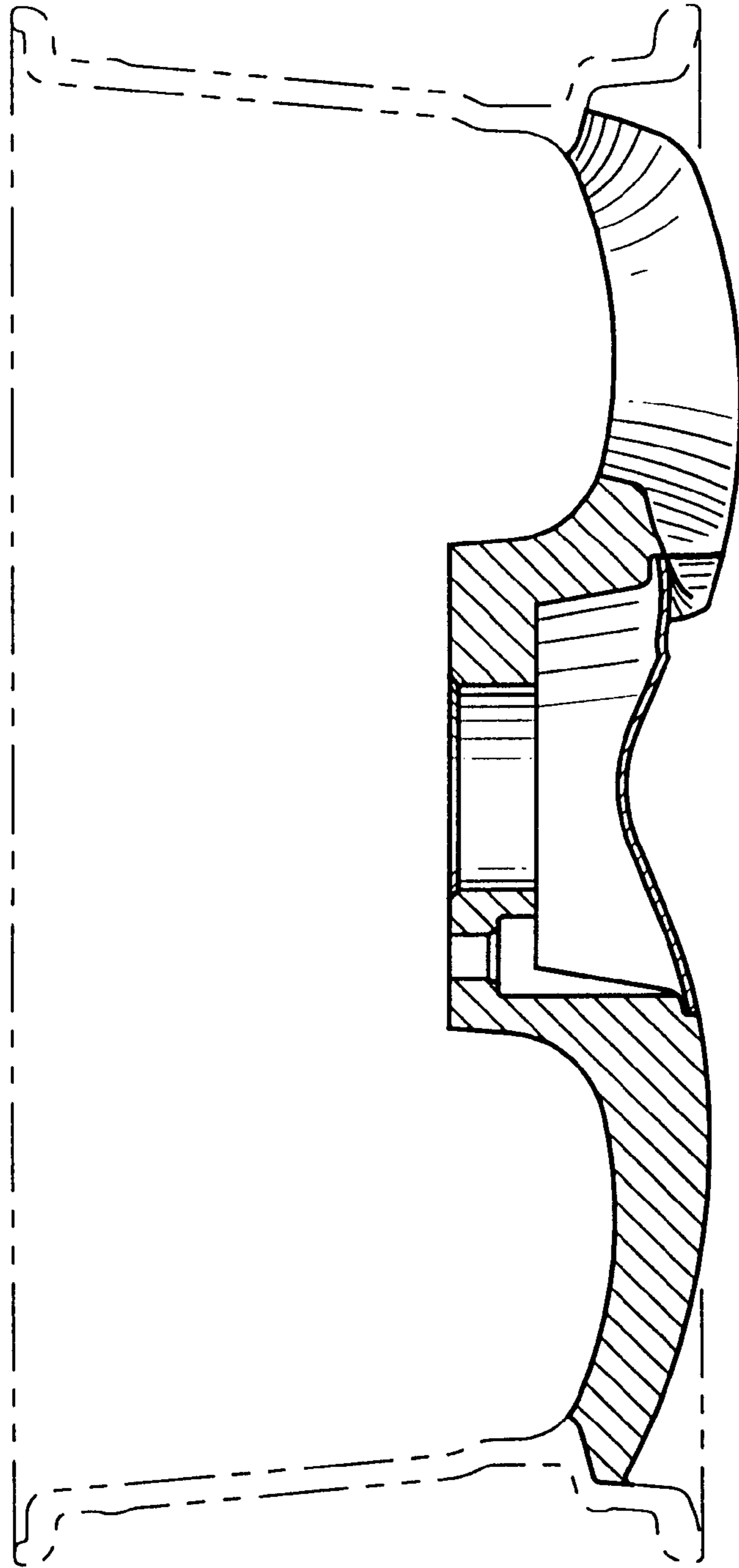


FIG. 4

UNITED STATES PATENT AND TRADEMARK OFFICE
CERTIFICATE OF CORRECTION

PATENT NO. : Des. 432,481
DATED : October 24, 2000
INVENTOR(S) : Larry P. Brown

It is certified that error appears in the above-identified patent and that said Letters Patent are hereby corrected as shown below:

Assignee: Arelli Alloy Wheels, Inc.
Los Angeles, CA

Signed and Sealed this
Twenty-ninth Day of May, 2001

Attest:



NICHOLAS P. GODICI

Attesting Officer

Acting Director of the United States Patent and Trademark Office