



US00D432472S

United States Patent [19] Tart

[11] **Patent Number: Des. 432,472**

[45] **Date of Patent: ** Oct. 24, 2000**

[54] **FENDER**

D. 400,825 11/1998 Laivinrs D12/106

[76] Inventor: **John Tart**, 783 Slocomb Rd.,
Fayetteville, N.C. 28311

Primary Examiner—Melody N. Brown
Attorney, Agent, or Firm—Coats & Bennett, PLLC

[**] Term: **14 Years**

[57] CLAIM

[21] Appl. No.: **29/116,876**

The ornamental design for a fender, as shown.

[22] Filed: **Jan. 12, 2000**

DESCRIPTION

[51] **LOC (7) Cl.** **12-16**

FIG. 1 is a perspective view of the fender of the present invention;

[52] **U.S. Cl.** **D12/185**

FIG. 2 is a top plan view of the fender of FIG. 1;

[58] **Field of Search** D12/185, 106;
280/414.3, 847, 160

FIG. 3 is a front elevational view of the fender of FIG. 1;

FIG. 4 is a back elevational view of the fender of FIG. 1;

FIG. 5 is a bottom plan view of the fender of FIG. 1;

FIG. 6 is a left elevational view of the fender of FIG. 1; and,

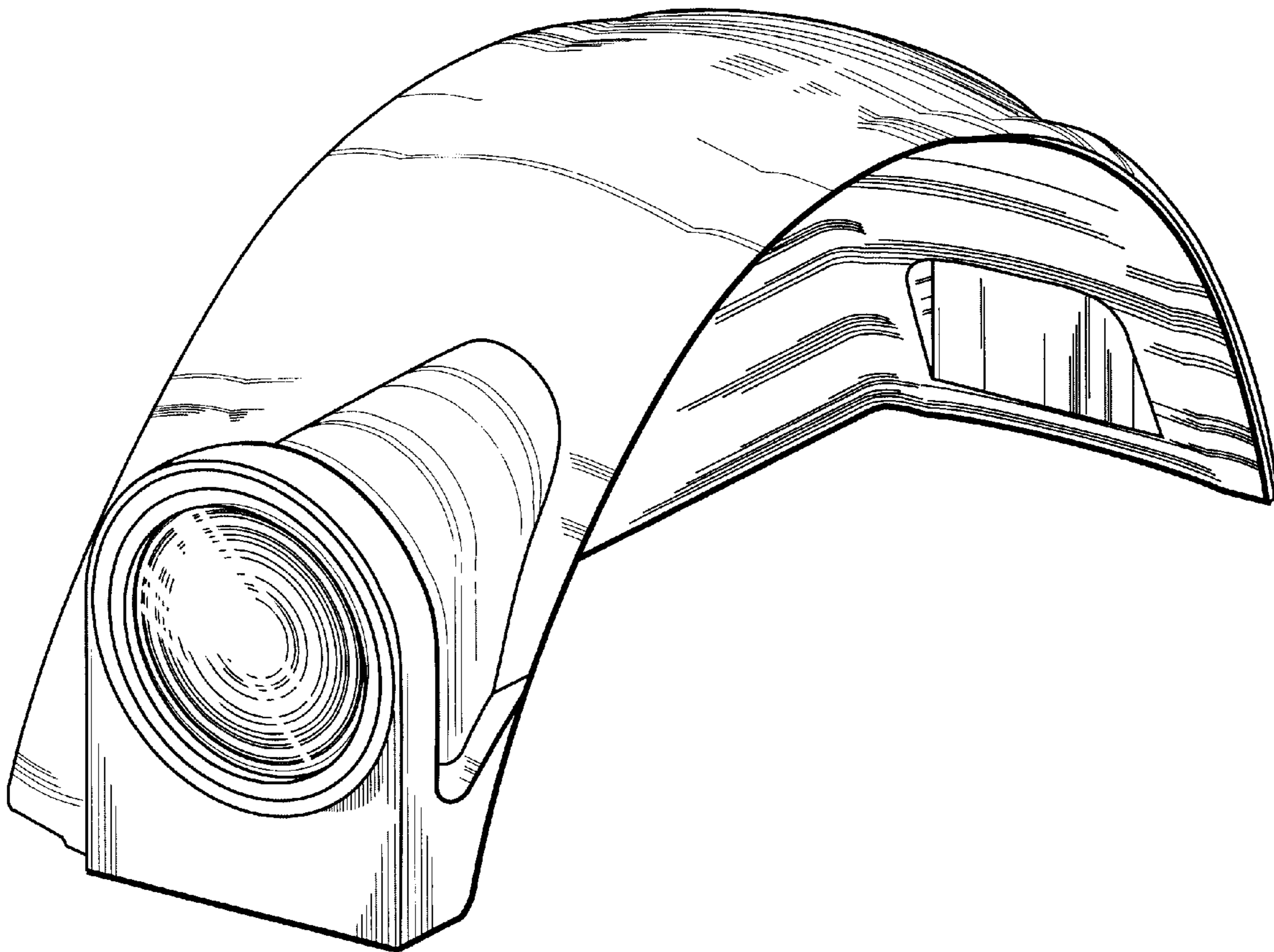
FIG. 7 is a right elevational view of the fender of FIG. 1.

[56] References Cited

U.S. PATENT DOCUMENTS

D. 314,735 2/1991 Godbersen D12/106
D. 387,016 12/1997 Nieksen, III D12/106

1 Claim, 7 Drawing Sheets



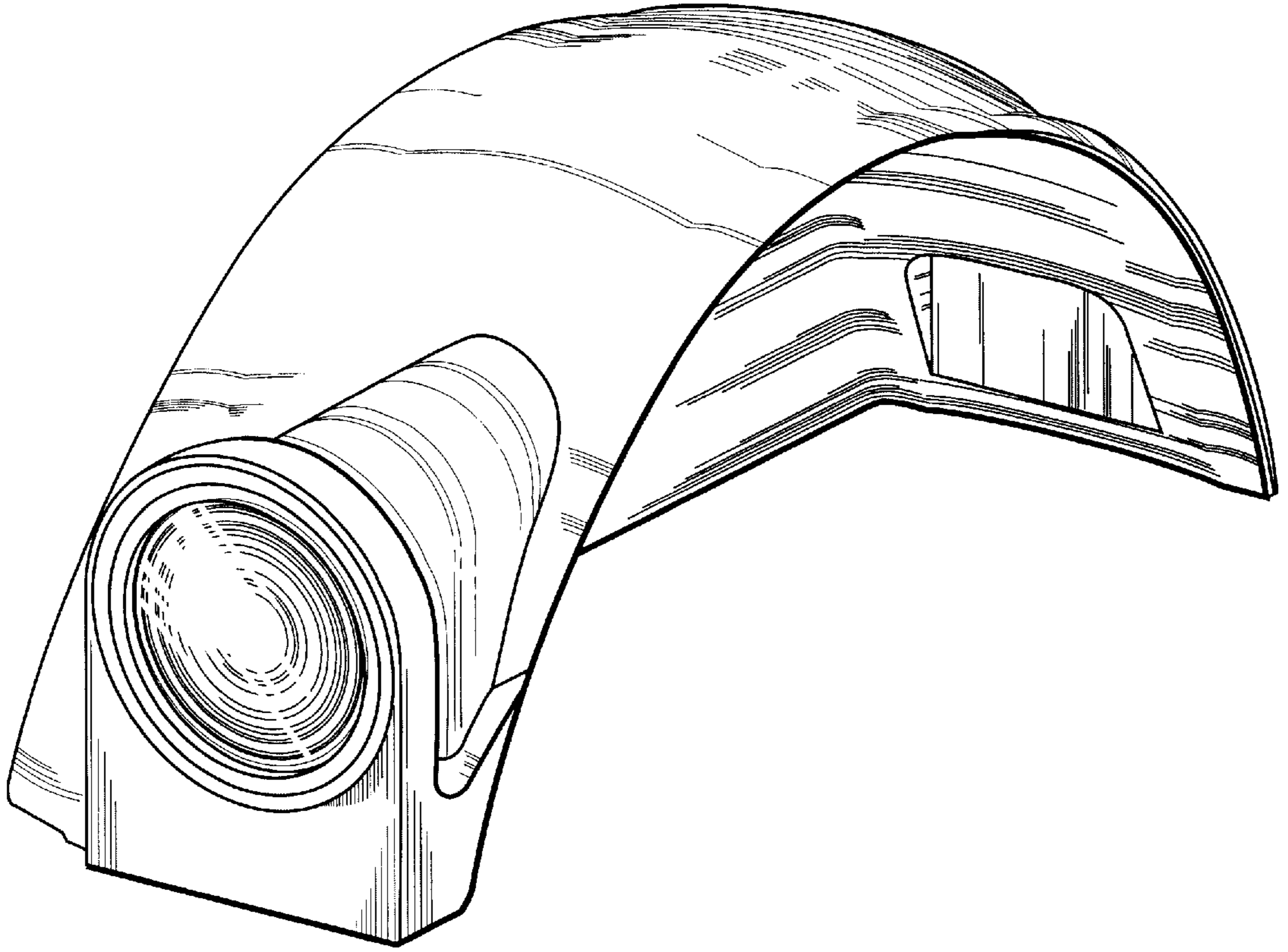


FIG. 1

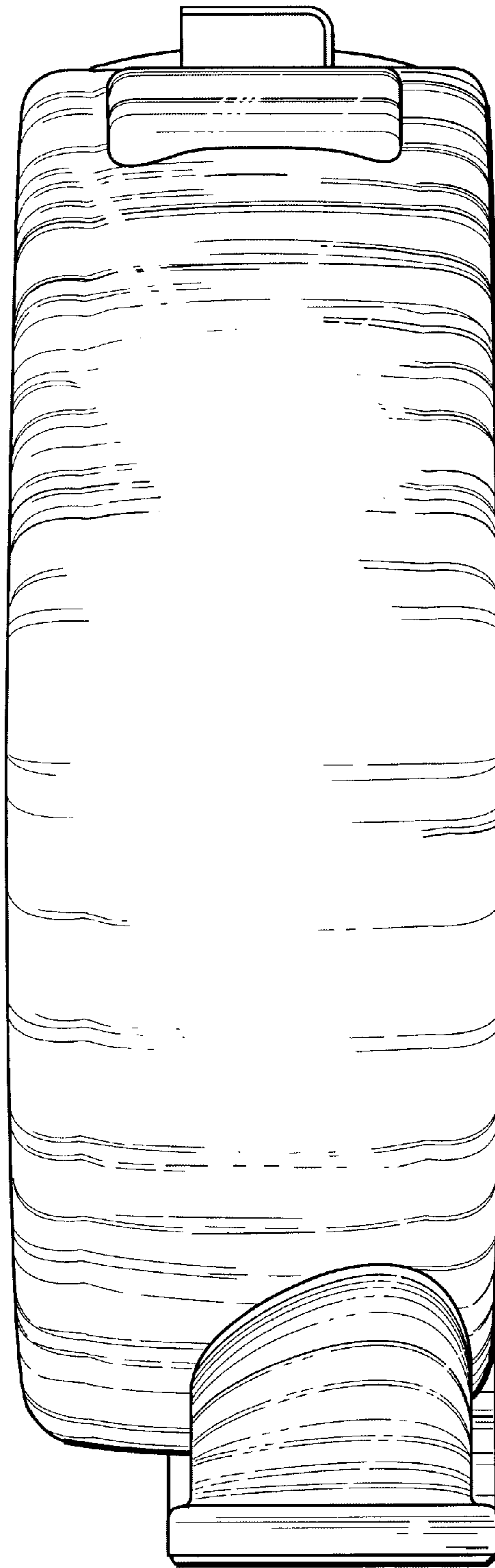


FIG. 2

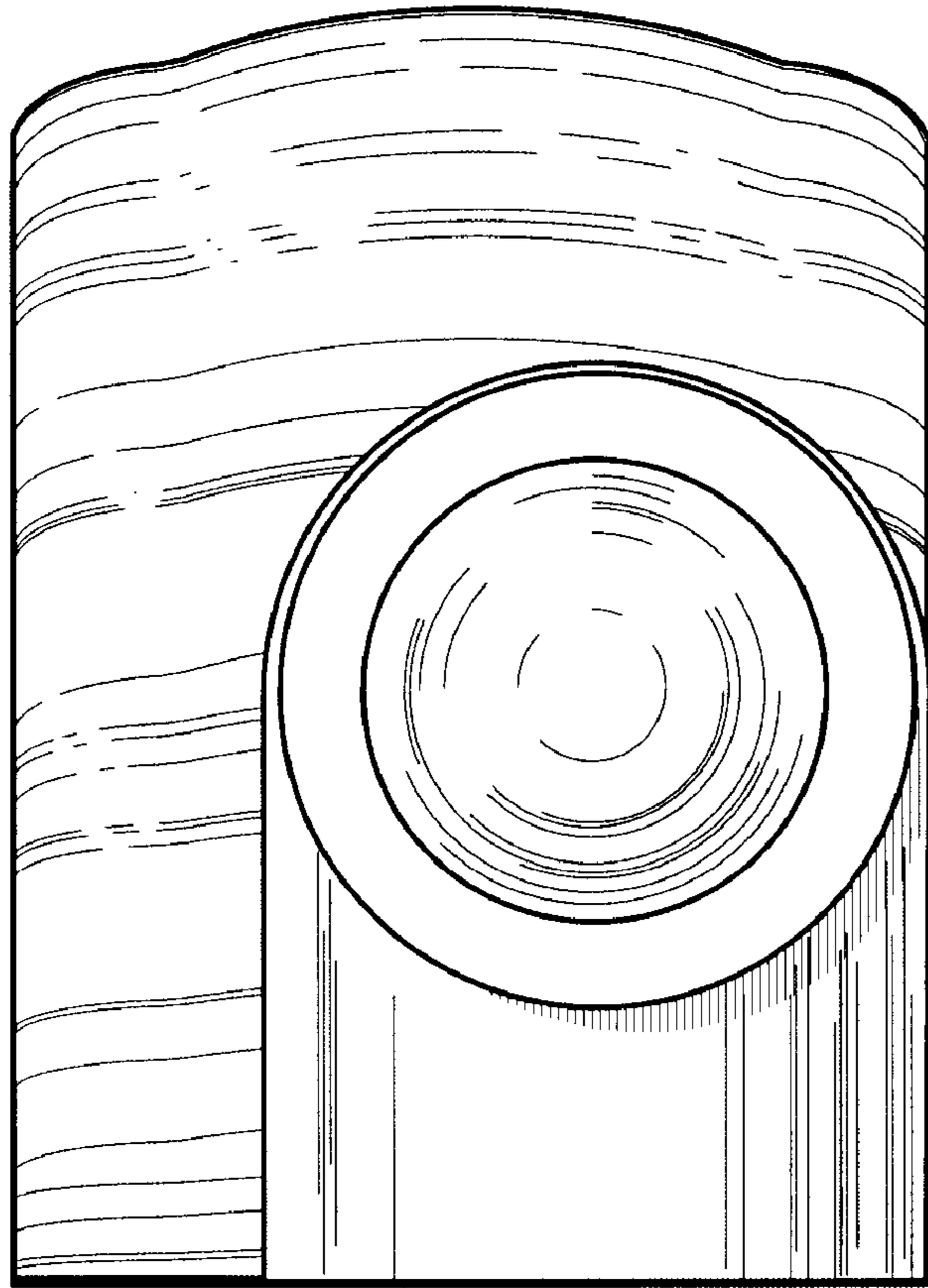


FIG. 3

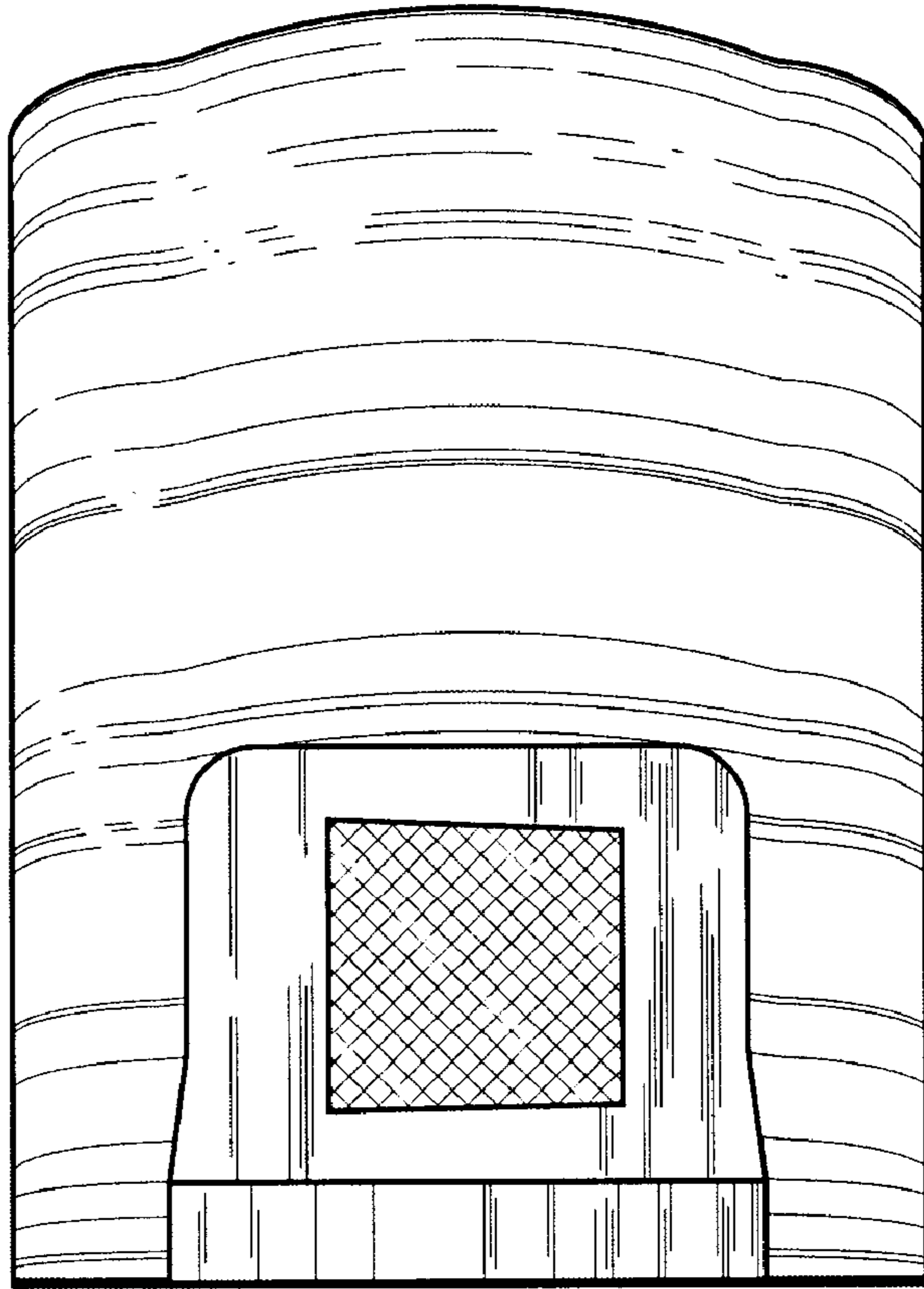


FIG. 4

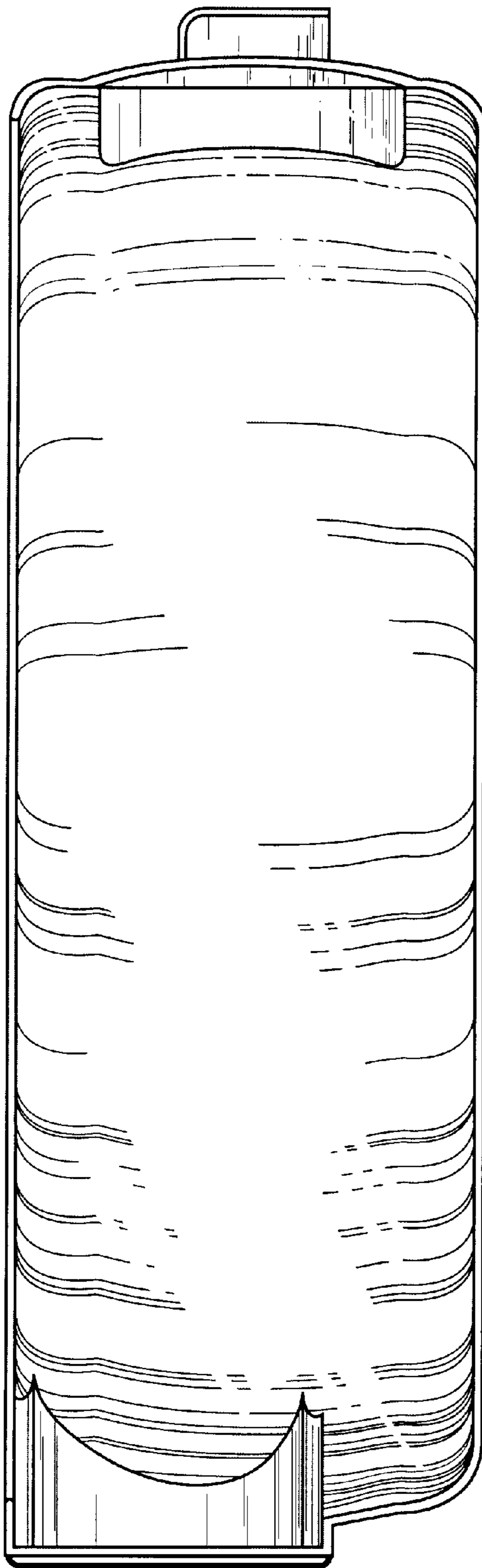


FIG. 5

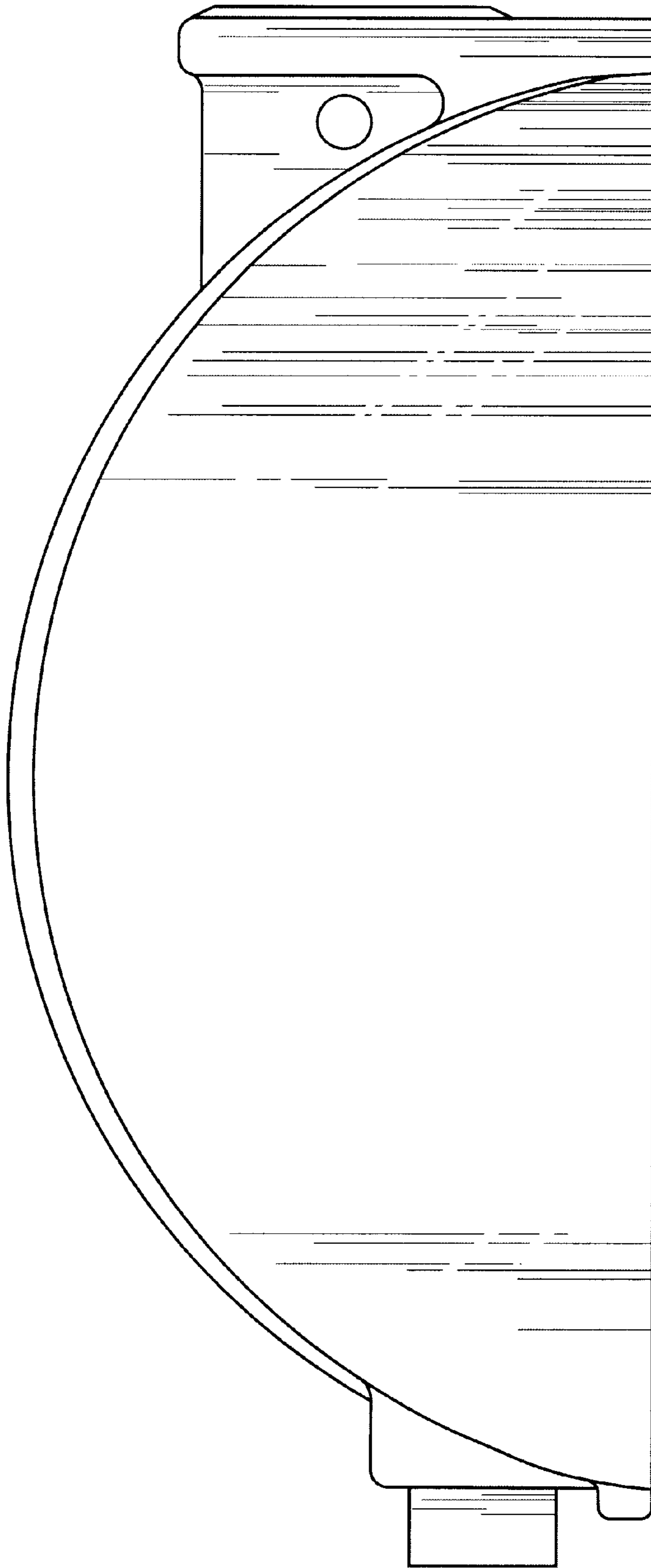


FIG. 6

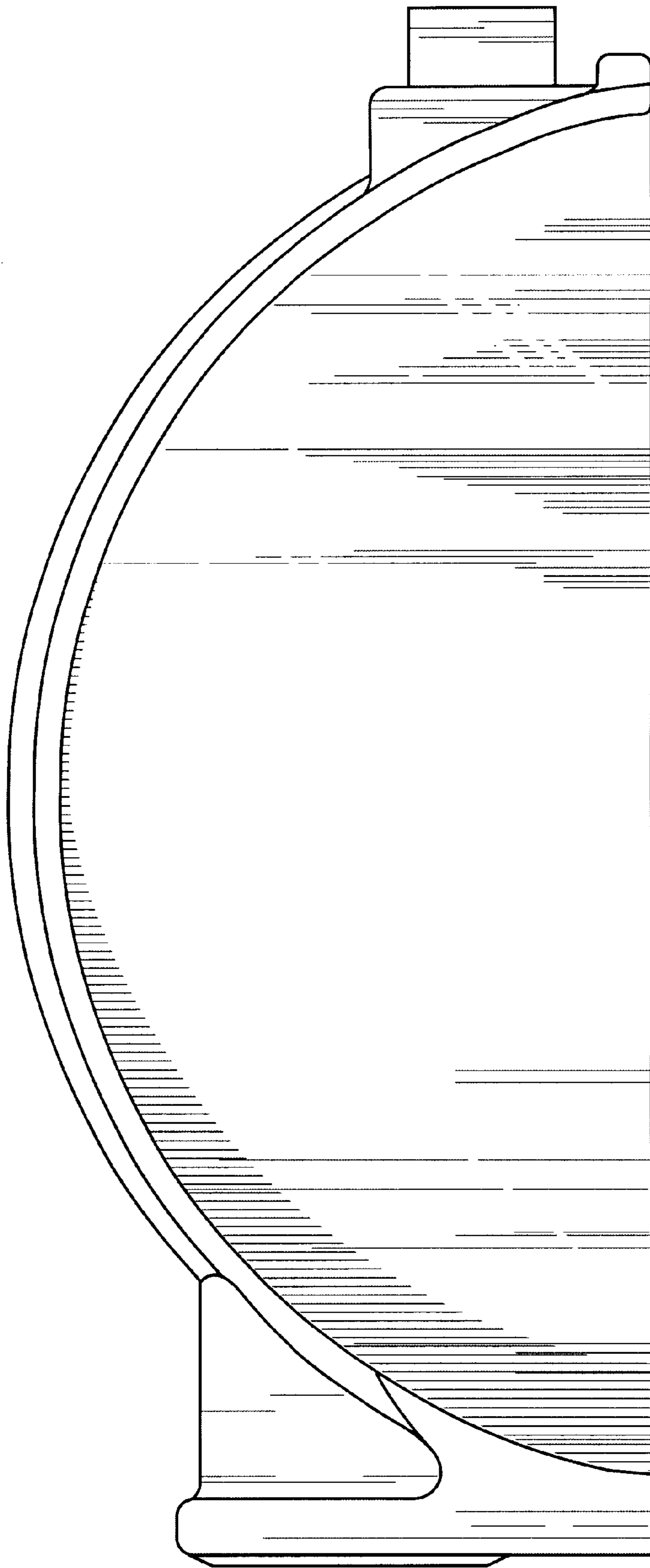


FIG. 7