



US00D432471S

# United States Patent [19] Takizawa

[11] Patent Number: Des. 432,471

[45] Date of Patent: \*\* Oct. 24, 2000

[54] BRAKE SHOE SUPPORT BODY

[75] Inventor: Shin'ichi Takizawa, Sakai, Japan

[73] Assignee: Shimano Inc., Osaka, Japan

[\*\*] Term: 14 Years

[21] Appl. No.: 29/077,793

[22] Filed: Oct. 14, 1997

[51] LOC (7) Cl. .... 12-16

[52] U.S. Cl. .... D12/180

[58] Field of Search ..... D12/180; 188/250 B,  
188/73.1, 24.11-24.14, 24.22

[56] References Cited

U.S. PATENT DOCUMENTS

D. 281,874	12/1985	King .	
D. 295,847	5/1988	Everett .....	D12/180
D. 379,344	5/1997	Everett .....	D12/180
D. 384,018	9/1997	Nishimura .	
3,305,048	2/1967	Brilando .....	188/24.12
3,840,093	10/1974	Hamayasu .....	188/24.12
5,655,629	8/1997	Takizawa et al. ....	188/24.12

Primary Examiner—Alan P. Douglas

Assistant Examiner—Linda Brooks

Attorney, Agent, or Firm—Shinju Global IP Counselors, LLP

[57] CLAIM

The ornamental design for a brake shoe support body for a bicycle brake mechanism, as shown and described.

DESCRIPTION

FIG. 1 is a perspective view of the brake shoe support body showing my new design in accordance with one embodiment of the present invention, with a brake pad and an attachment screw shown in broken lines;

FIG. 2 is a front view of a bicycle brake mechanism having a brake shoe that includes the brake shoe support body depicted in FIG. 1, showing my new design on a reduced scale, with the bicycle brake mechanism shown in broken lines;

FIG. 3 is a side view of the bicycle brake mechanism depicted in FIG. 2 having the brake shoe that includes the brake shoe support body depicted in FIG. 1, showing my new design on a reduced scale, with the bicycle mechanism shown in broken lines;

FIG. 4 is a bottom view of the brake shoe support body depicted in FIG. 1, showing my new design, with the attachment screw removed for clarity and the brake pad shown in broken lines;

FIG. 5 is a side view of the brake shoe support body depicted in FIG. 1, showing my new design, with the attachment screw removed for clarity and the brake pad shown in broken lines;

FIG. 6 is a top view of the brake shoe support body depicted in FIG. 1, showing my new design, with the attachment screw removed for clarity and the brake pad shown in broken lines;

FIG. 7 is an end view of the brake shoe support body depicted in FIG. 1, showing my new design, with the attachment screw removed for clarity and the brake pad shown in broken lines;

FIG. 8 is a perspective view of the brake shoe support body showing my new design in accordance with another embodiment of the present invention, with a brake pad and an attachment screw shown in broken lines;

FIG. 9 is a bottom view of the brake shoe support body depicted in FIG. 8, showing my new design, with the attachment screw and the brake pad removed for clarity;

FIG. 10 is a side view of the brake shoe support body depicted in FIG. 8, showing my new design, with the attachment screw and the brake pad removed for clarity;

FIG. 11 is a top view of the brake shoe support body depicted in FIG. 8, showing my new design, with the attachment screw and the brake pad removed for clarity;

FIG. 12 is an end view of the brake shoe support body depicted in FIG. 8, showing my new design, with the attachment screw and the brake pad removed for clarity;

FIG. 13 is a perspective view of the brake shoe support body showing my new design in accordance with still another embodiment of the present invention, with a brake pad and an attachment screw shown in broken lines;

FIG. 14 is a bottom side view of the brake shoe support body depicted in FIG. 13, showing my new design, with the attachment screw and the brake pad removed for clarity;

FIG. 15 is a side view of the brake shoe support body depicted in FIG. 13, showing my new design, with the attachment screw and the brake pad removed for clarity;

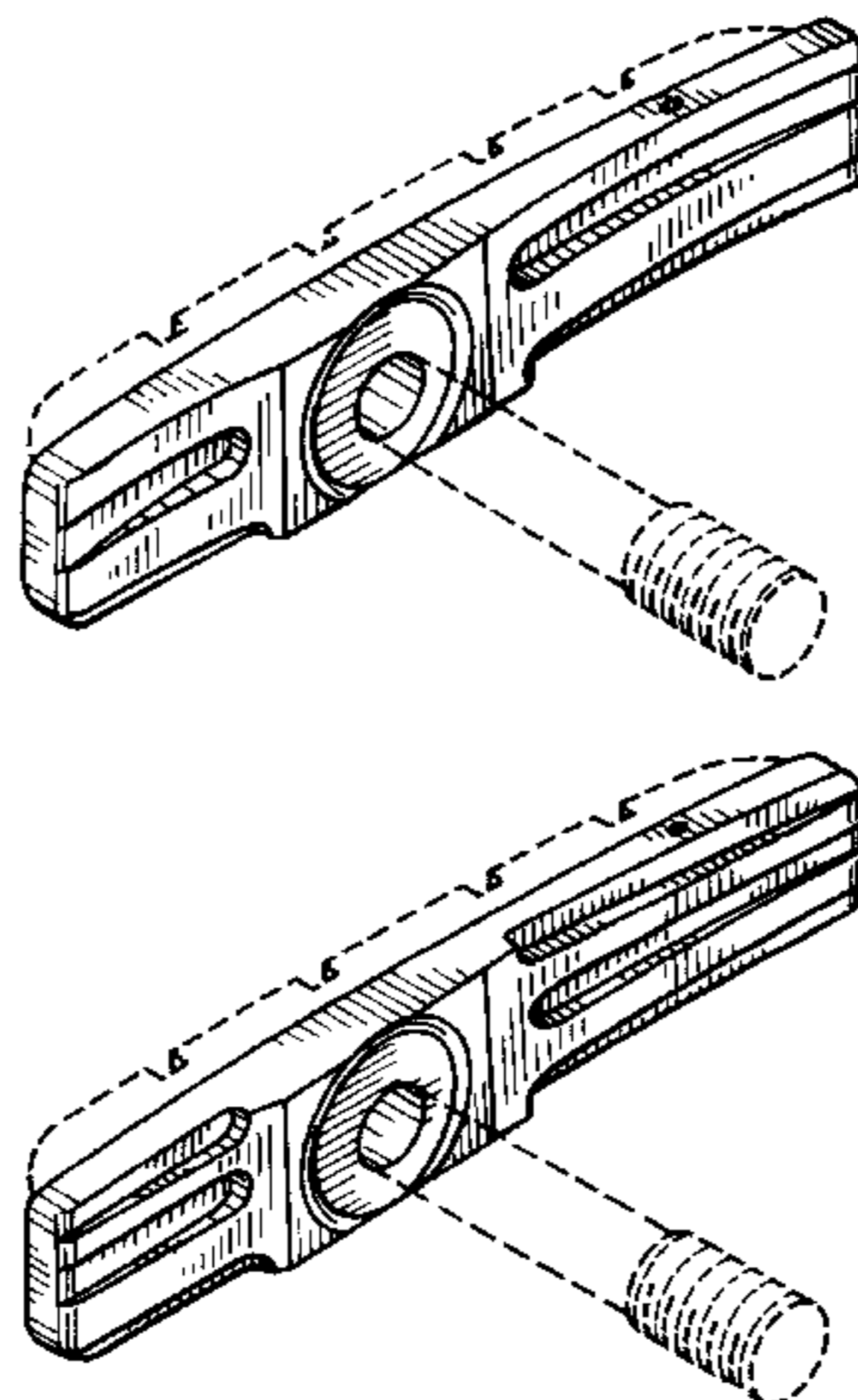


FIG. 16 is a top view of the brake shoe support body depicted in FIG. 13, showing my new design, with the attachment screw and the brake pad removed for clarity; and,

FIG. 17 is an end view of the brake shoe support body depicted in FIG. 13, showing my new design, with the attachment screw and the brake pad removed for clarity.

The broken line showing of environment features shown throughout the drawings are for illustrative purposes only and forms no part of the claimed design.

**1 Claim, 7 Drawing Sheets**

FIG. 1

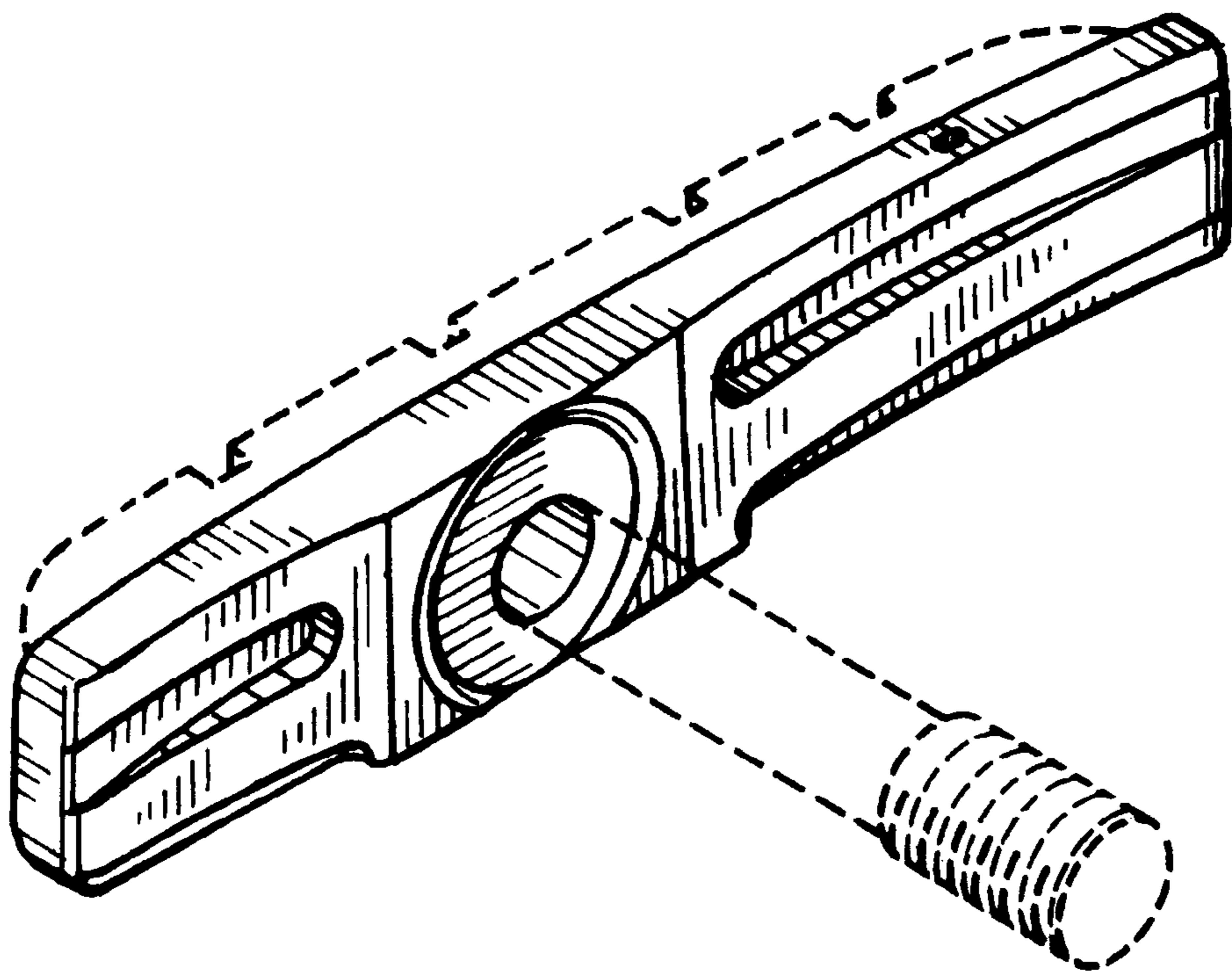


FIG. 2

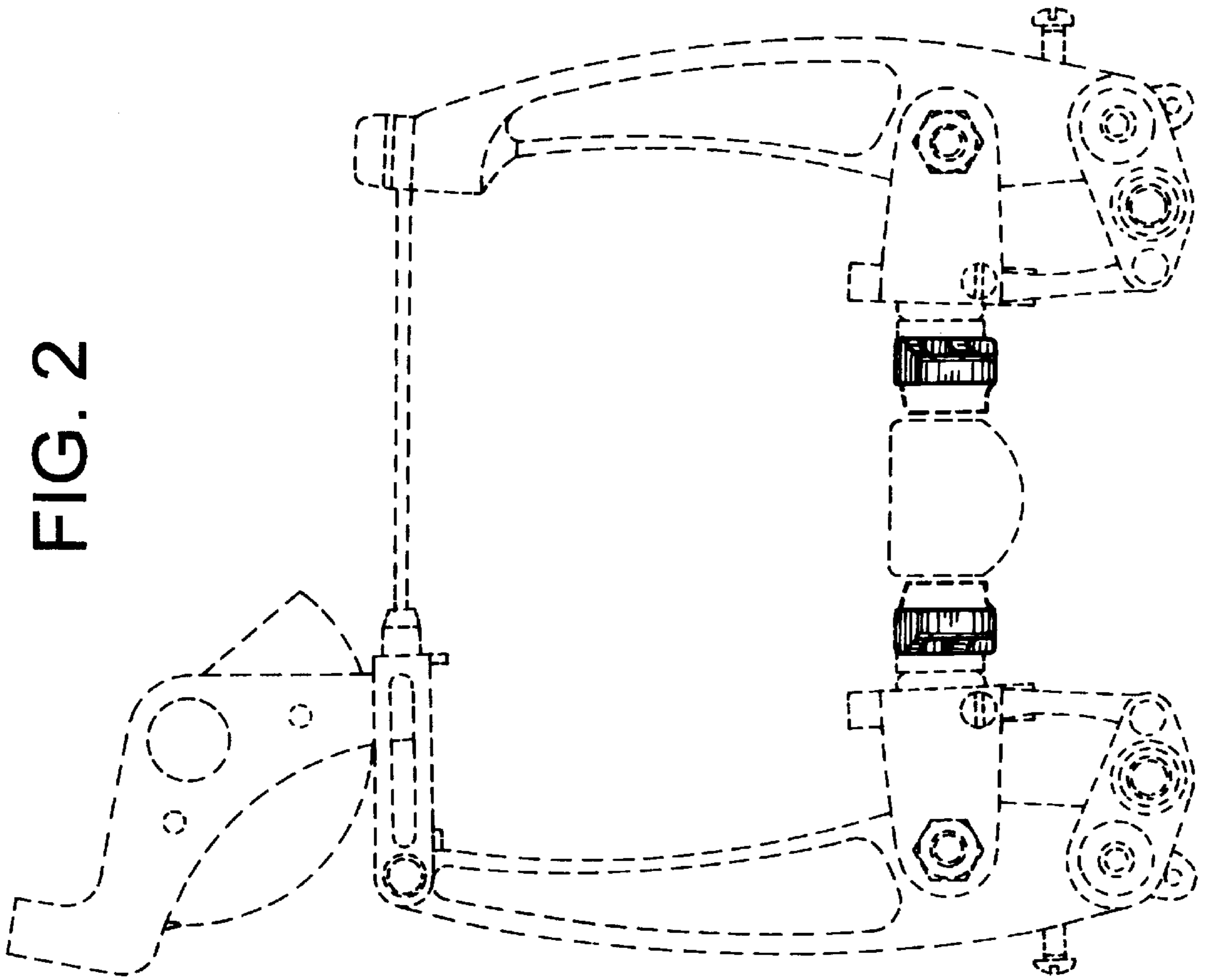


FIG. 3

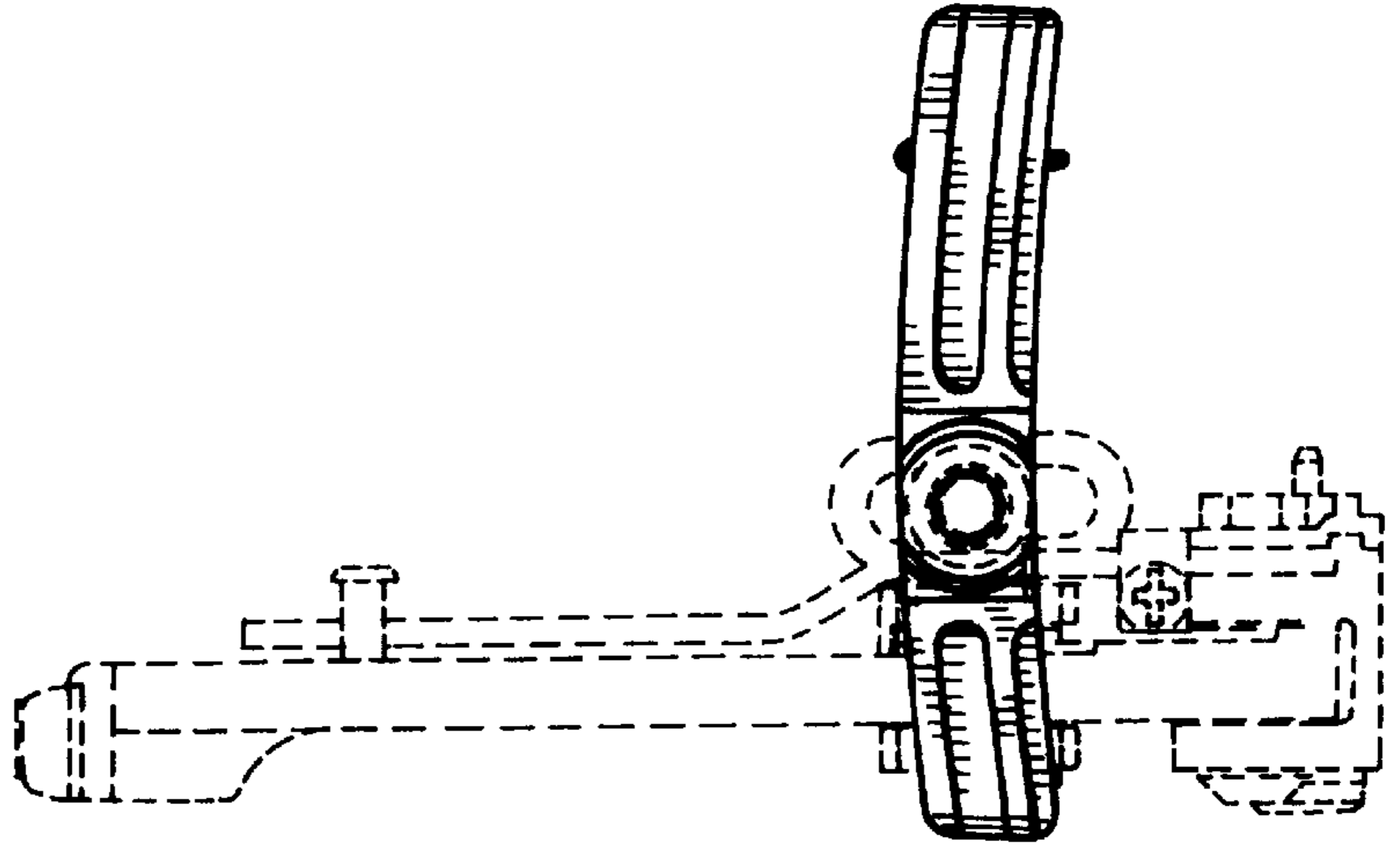


FIG. 4

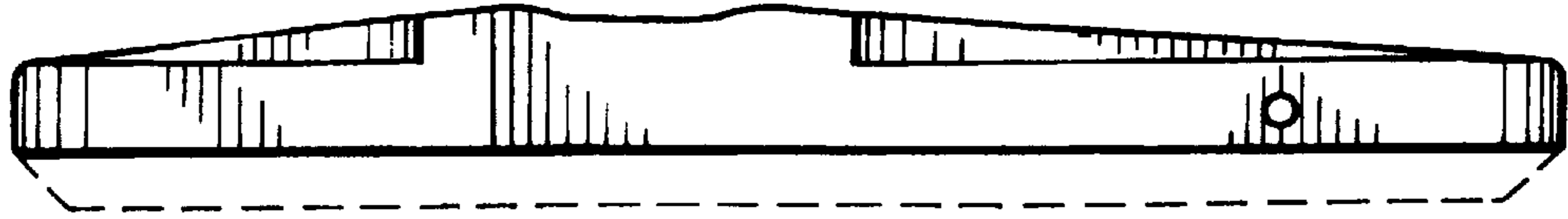


FIG. 5

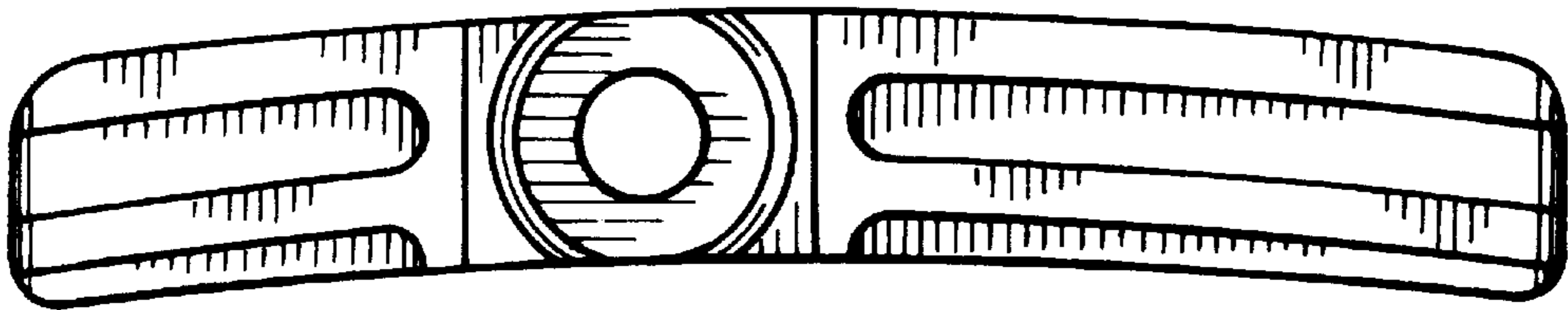


FIG. 6

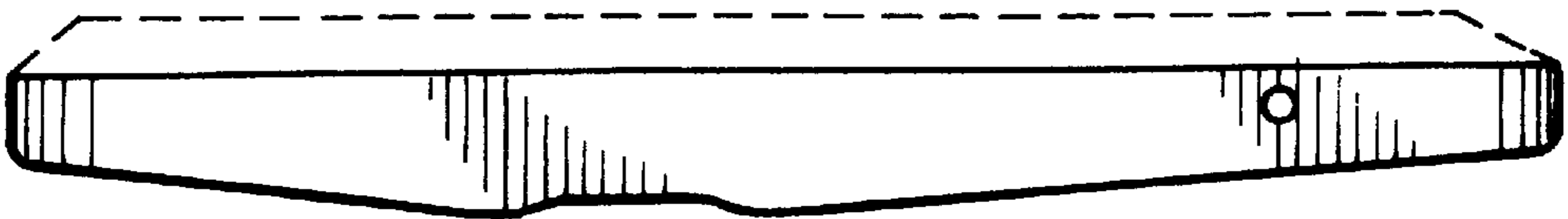


FIG. 7

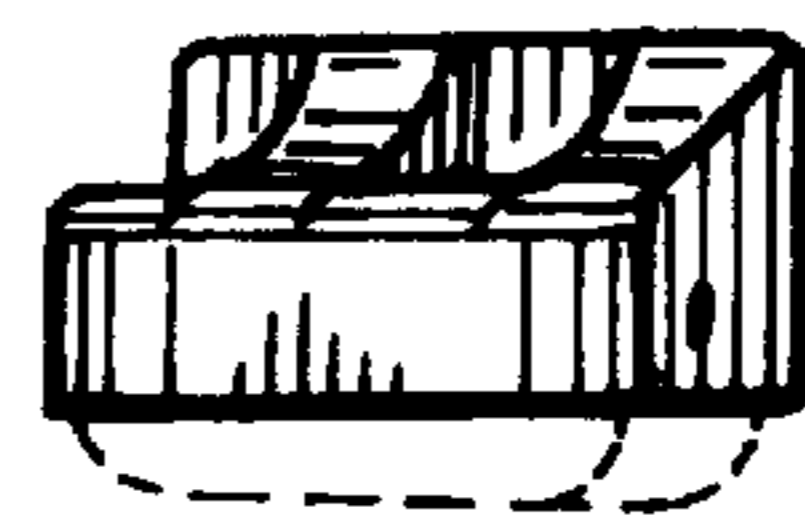


FIG. 8

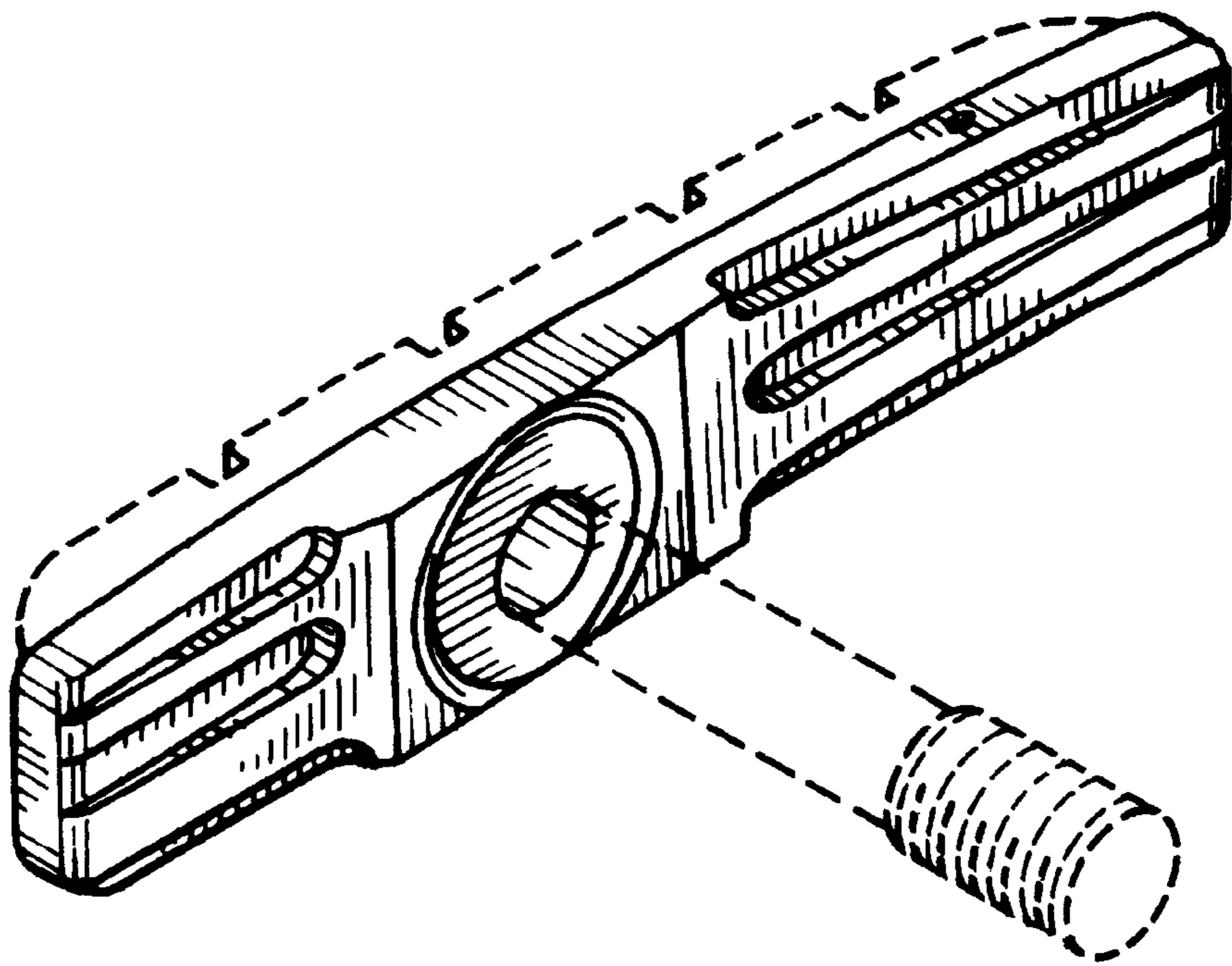


FIG. 9

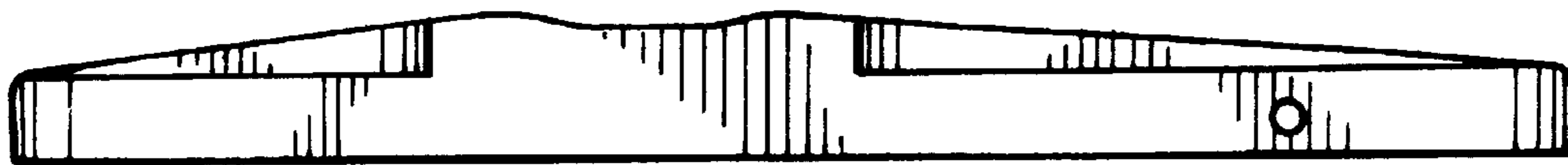


FIG. 10

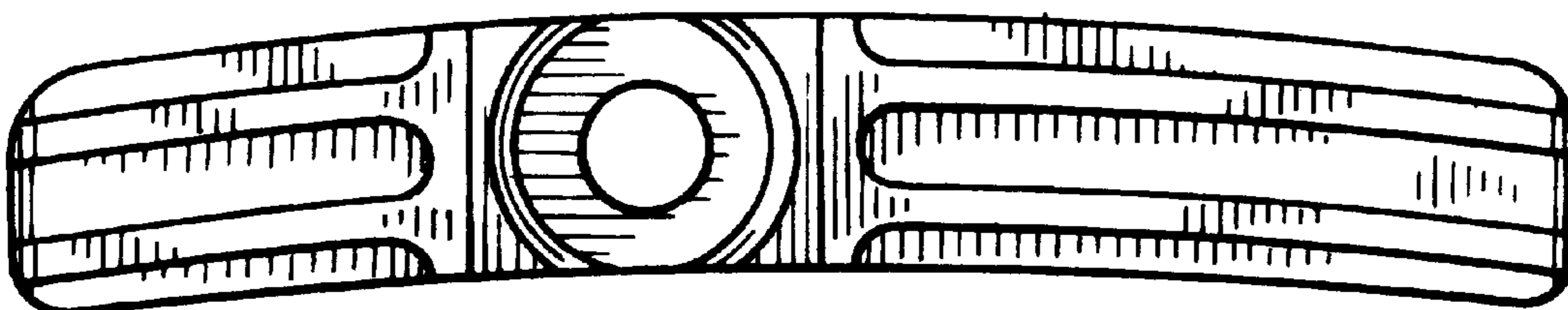


FIG. 11



FIG. 12



FIG. 13

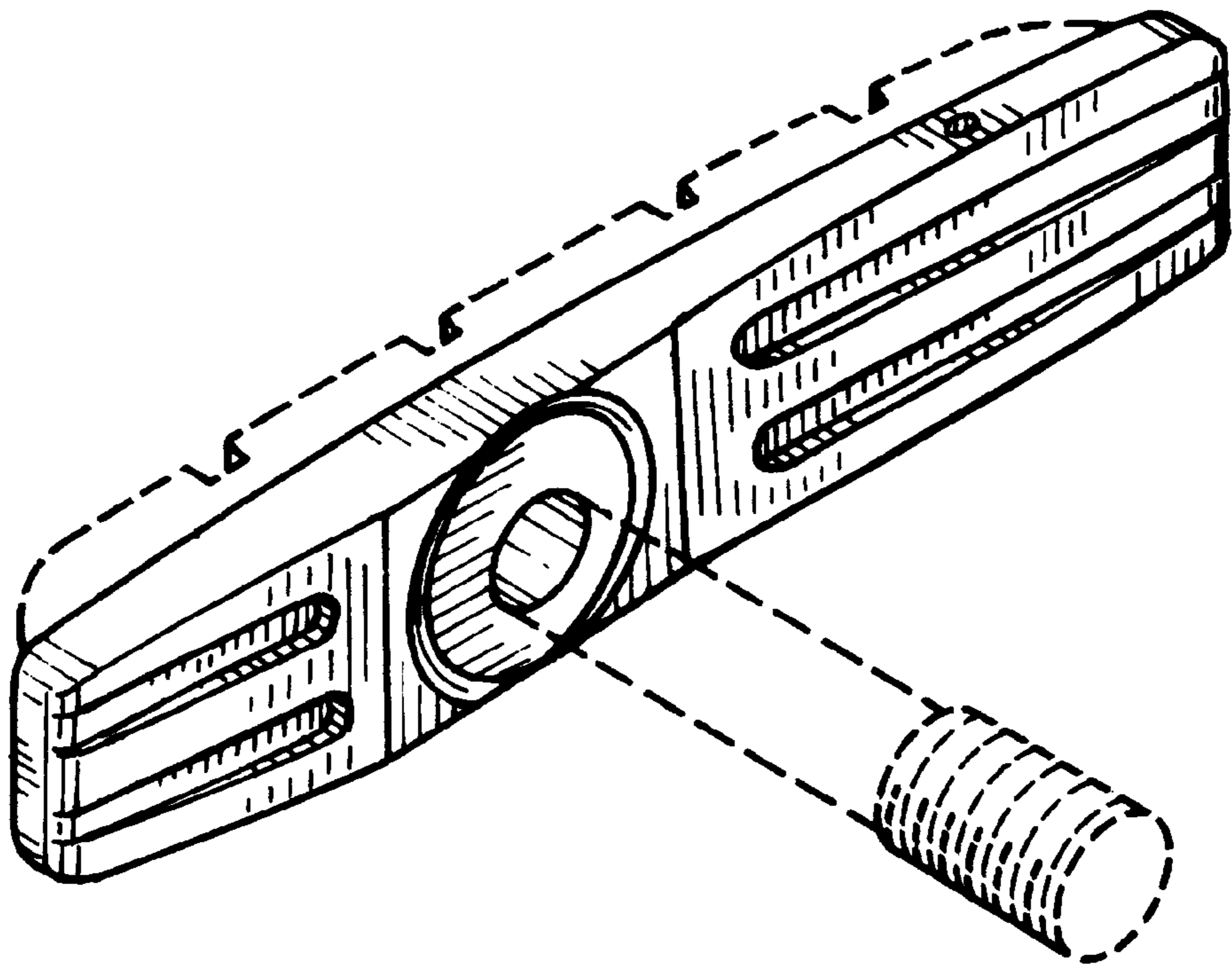




FIG. 14

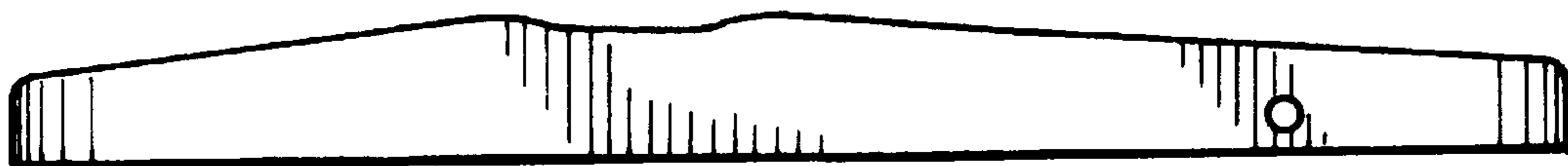


FIG. 15

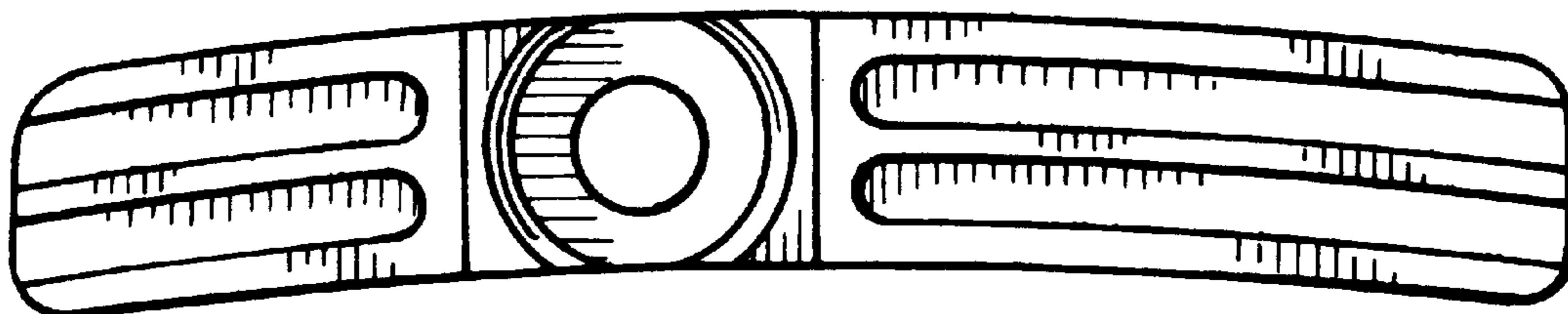


FIG. 16



FIG. 17

