



US00D432469S

# United States Patent [19]

Nelson

[11] Patent Number: Des. 432,469

[45] Date of Patent: \*\* Oct. 24, 2000

[54] BUMPER

[76] Inventor: **Dianne Reusser Nelson**, 1718 Colusa Hwy., Yuba City, Calif. 95993

[\*\*] Term: **14 Years**

[21] Appl. No.: **29/100,093**

[22] Filed: **Feb. 3, 1999**

[51] LOC (7) Cl. .... **12-16**

[52] U.S. Cl. .... **D12/169**

[58] Field of Search ..... D12/169, 171; 293/102, 115, 117, 146, 143, 120

[56] **References Cited**

**U.S. PATENT DOCUMENTS**

D. 248,229	6/1978	Baker	.....	D12/169
D. 308,037	5/1990	Aiken	.....	D12/169
D. 318,835	8/1991	Partin	.....	D12/169
D. 375,067	10/1996	Bronstein	.....	D12/169
4,469,360	9/1984	Drury	.....	293/102

Primary Examiner—Melody N. Brown  
Attorney, Agent, or Firm—Bernhard Kreten

[57] **CLAIM**

The ornamental design for a bumper, as shown and described.

**DESCRIPTION**

FIG. 1 is a perspective view of a bumper showing my new design.

FIG. 2 is a right side view thereof.

FIG. 3 is a front view thereof.

FIG. 4 is a top view thereof.

FIG. 5 is a rear view thereof.

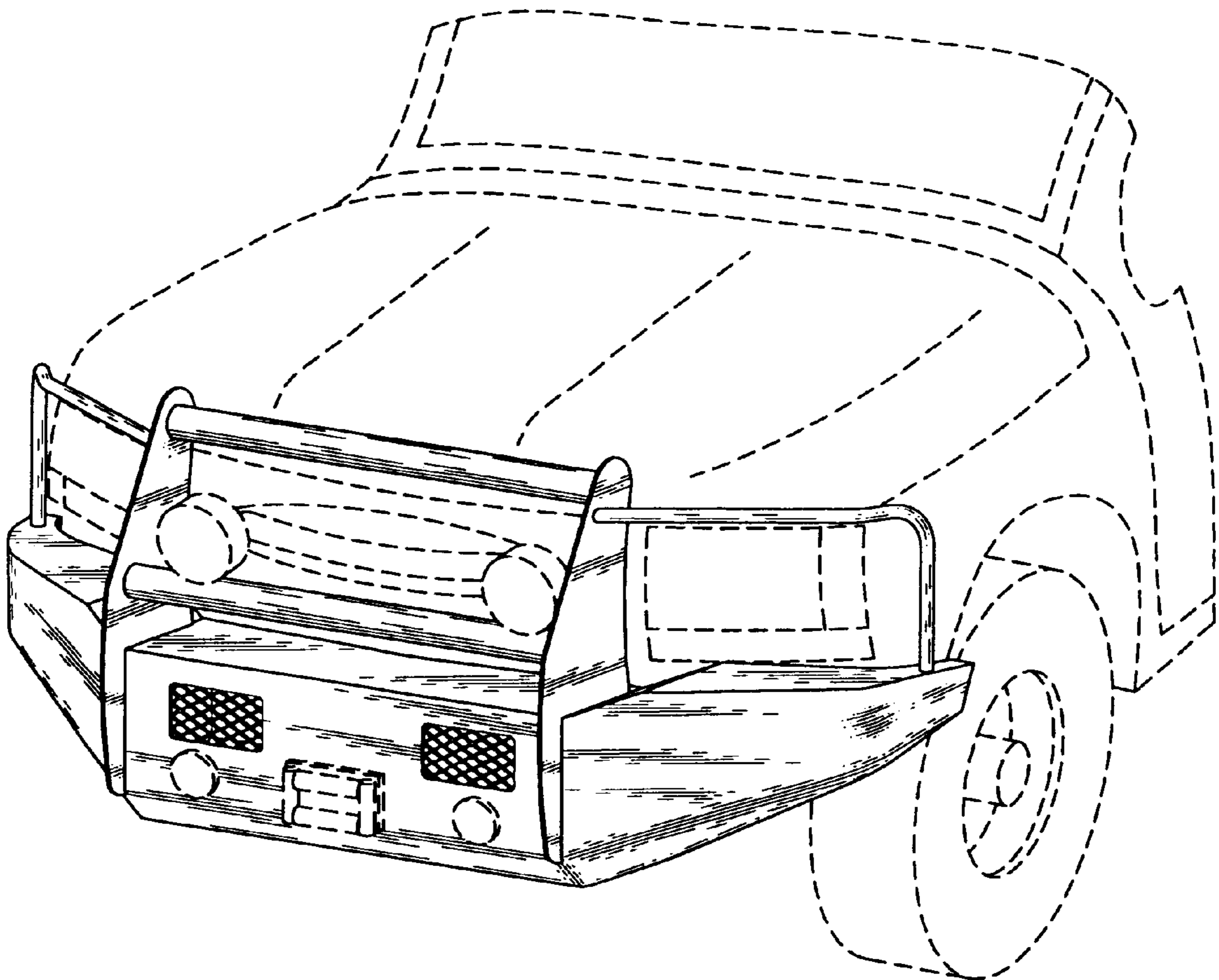
FIG. 6 is a bottom view thereof.

FIG. 7 is a perspective view thereof in one possible environment, showing optional lights, winch and truck in broken lines; and,

FIG. 8 is a exploded perspective view of the mounting bracket and partial bumper showing the truck frame in broken lines.

The broken-line showing of environmental structure in FIGS. 7 and 8 is for illustrative purposes only and forms no part of the claimed design.

**1 Claim, 4 Drawing Sheets**



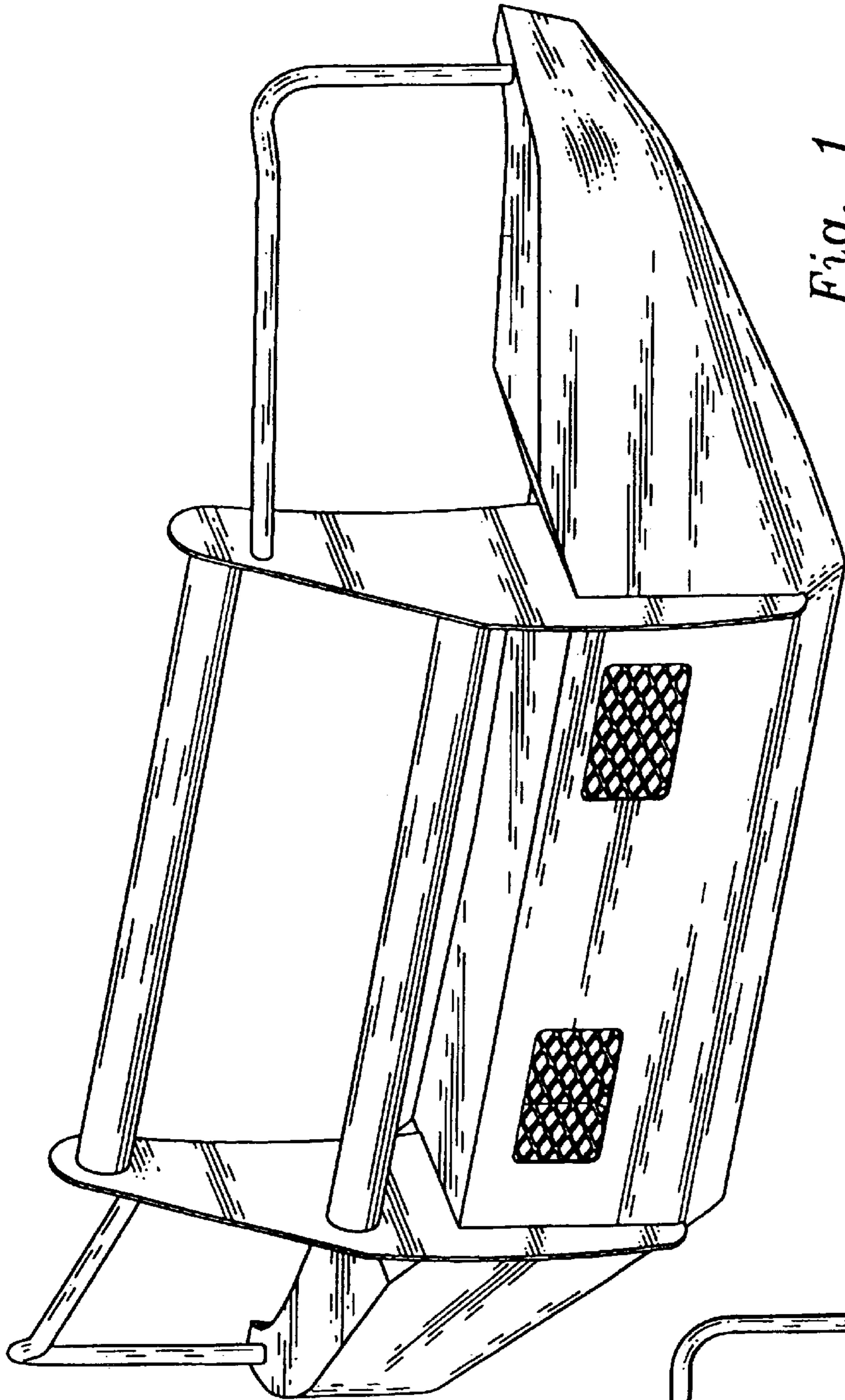


Fig. 1

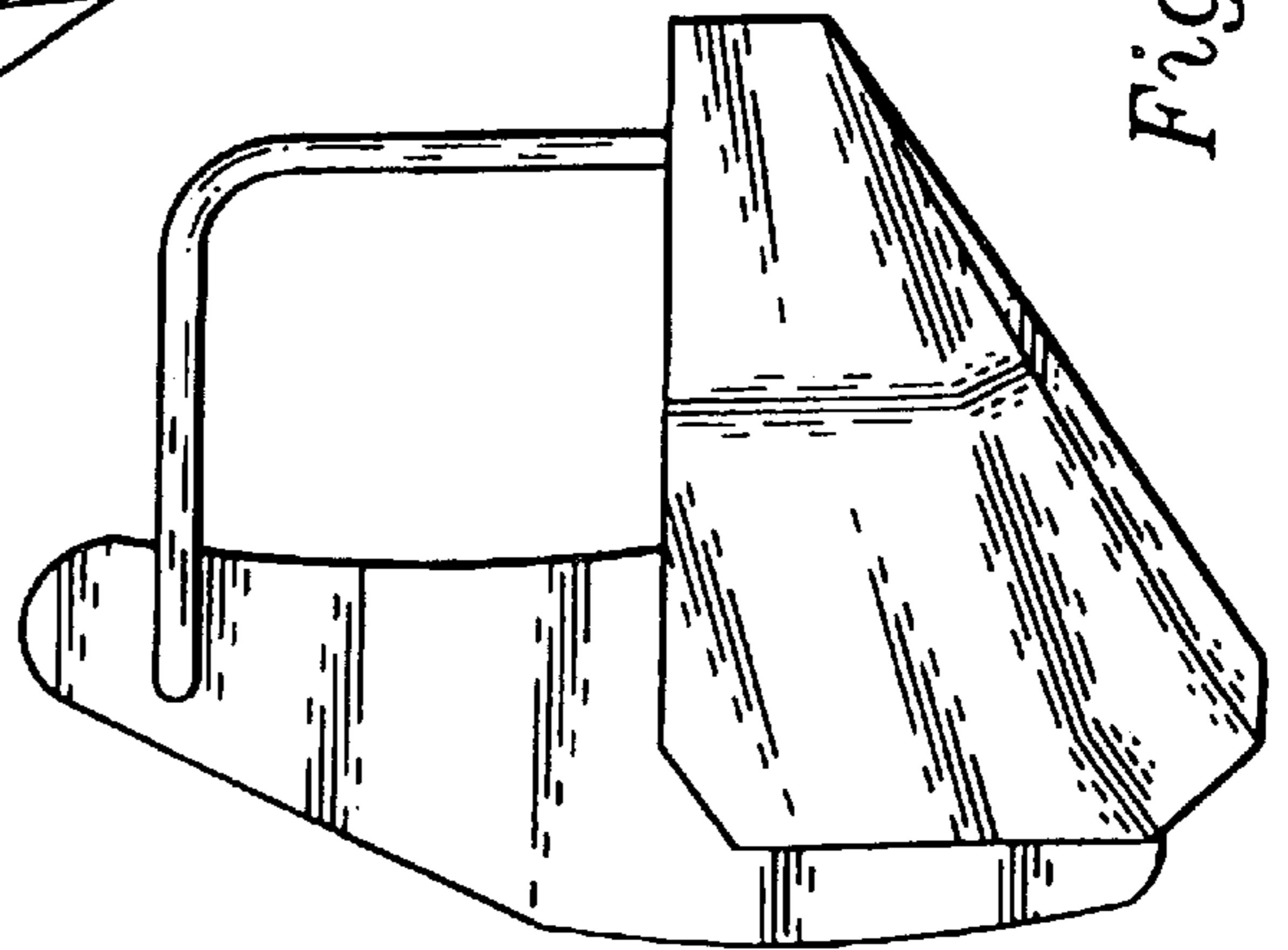


Fig. 2

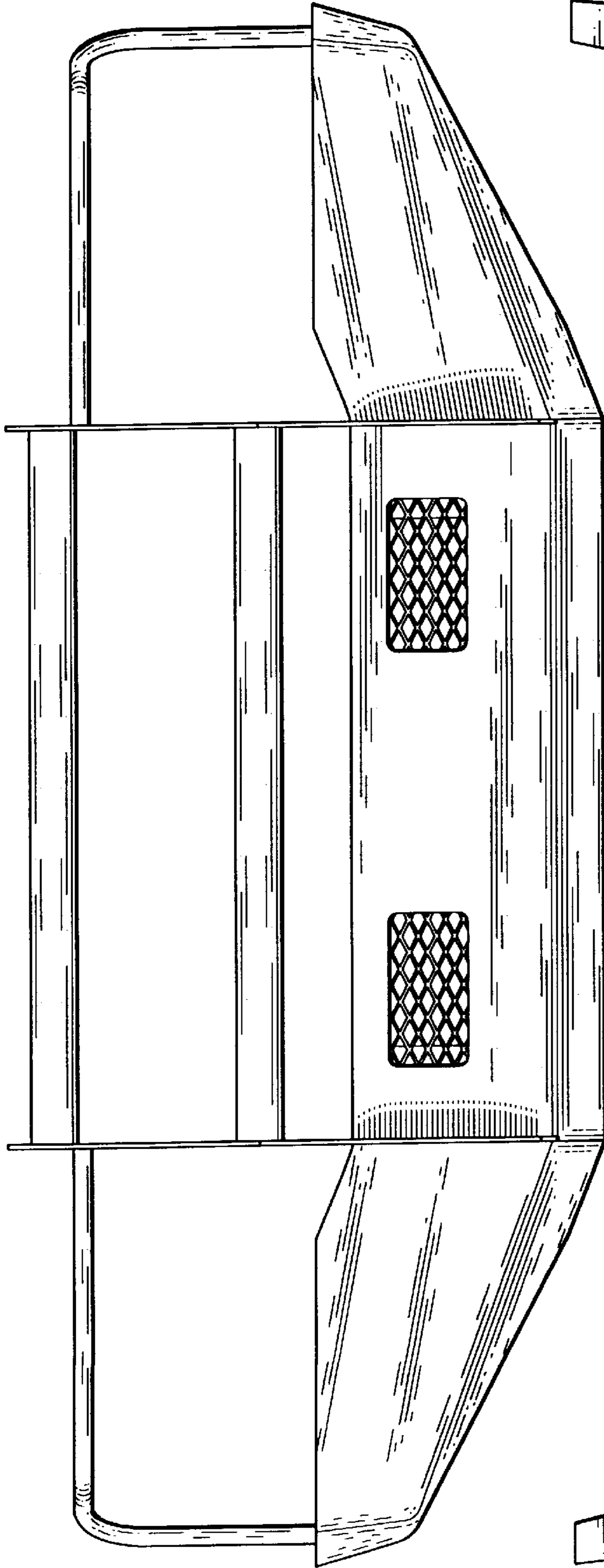


Fig. 3

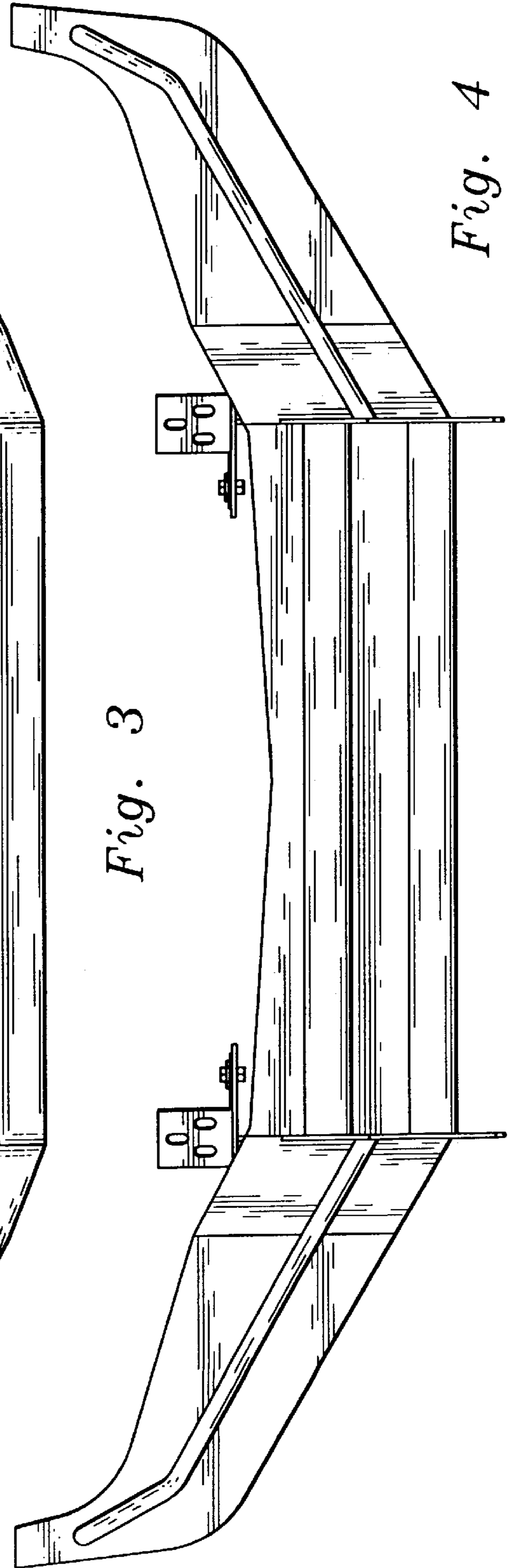
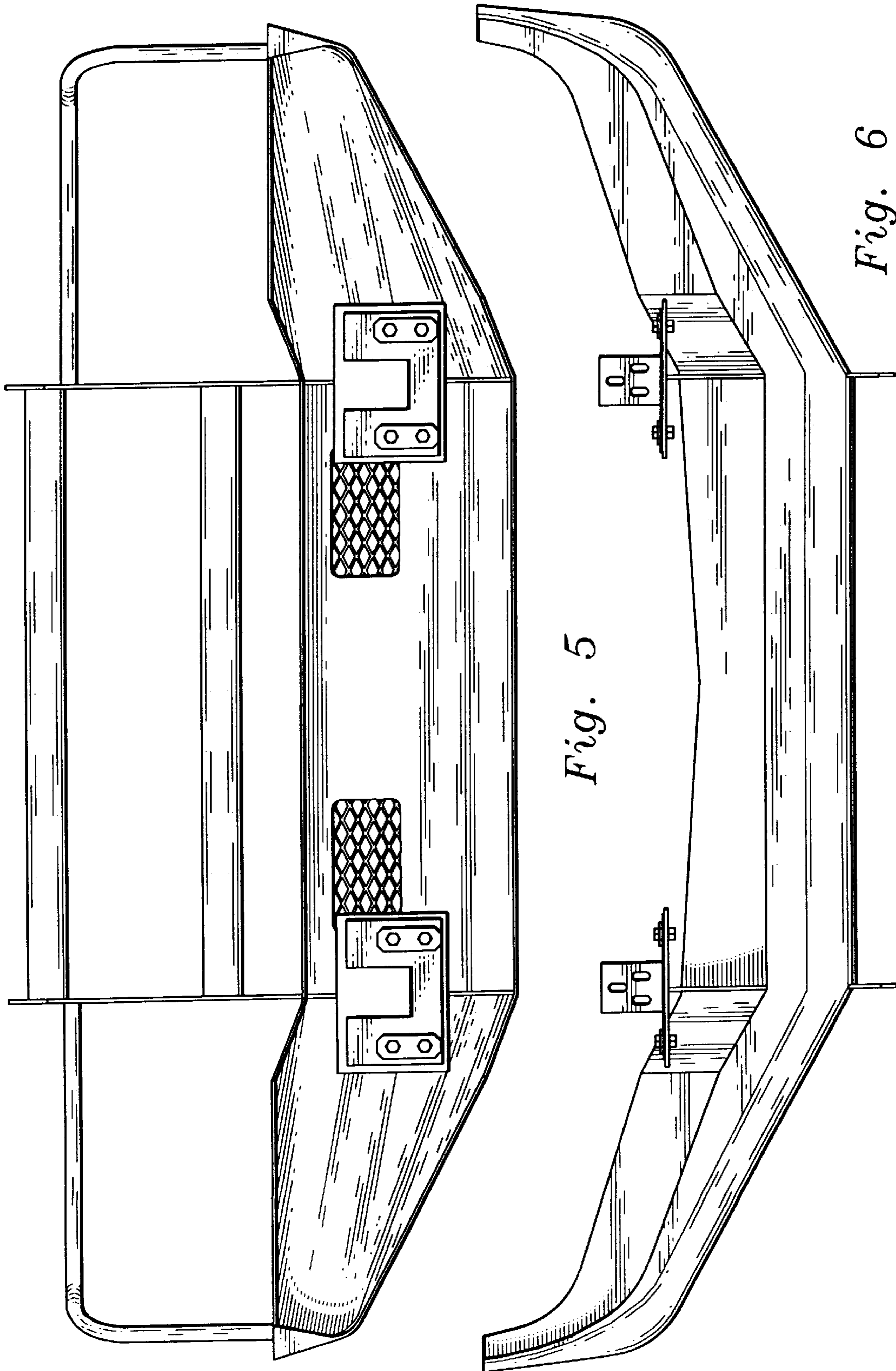
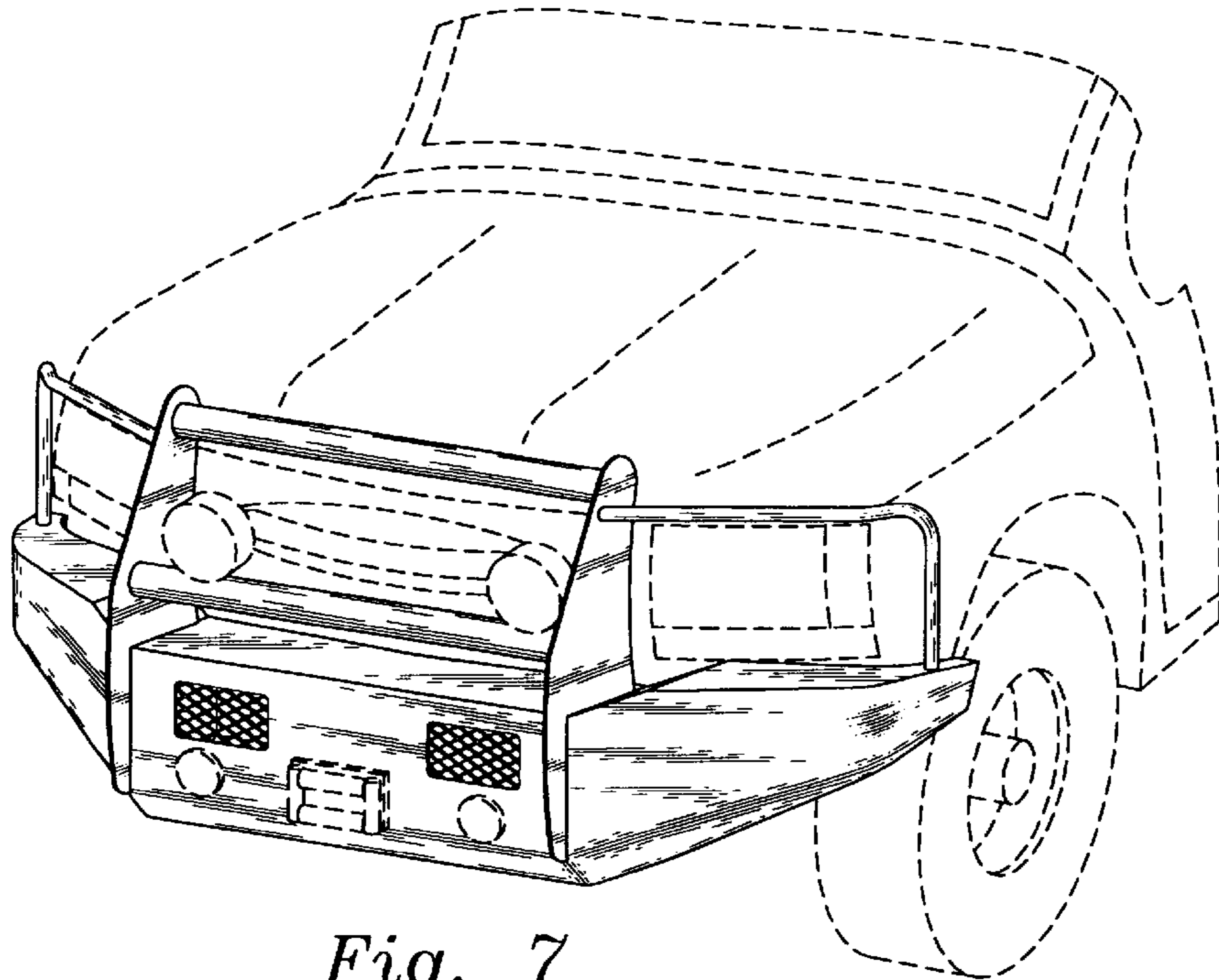


Fig. 4

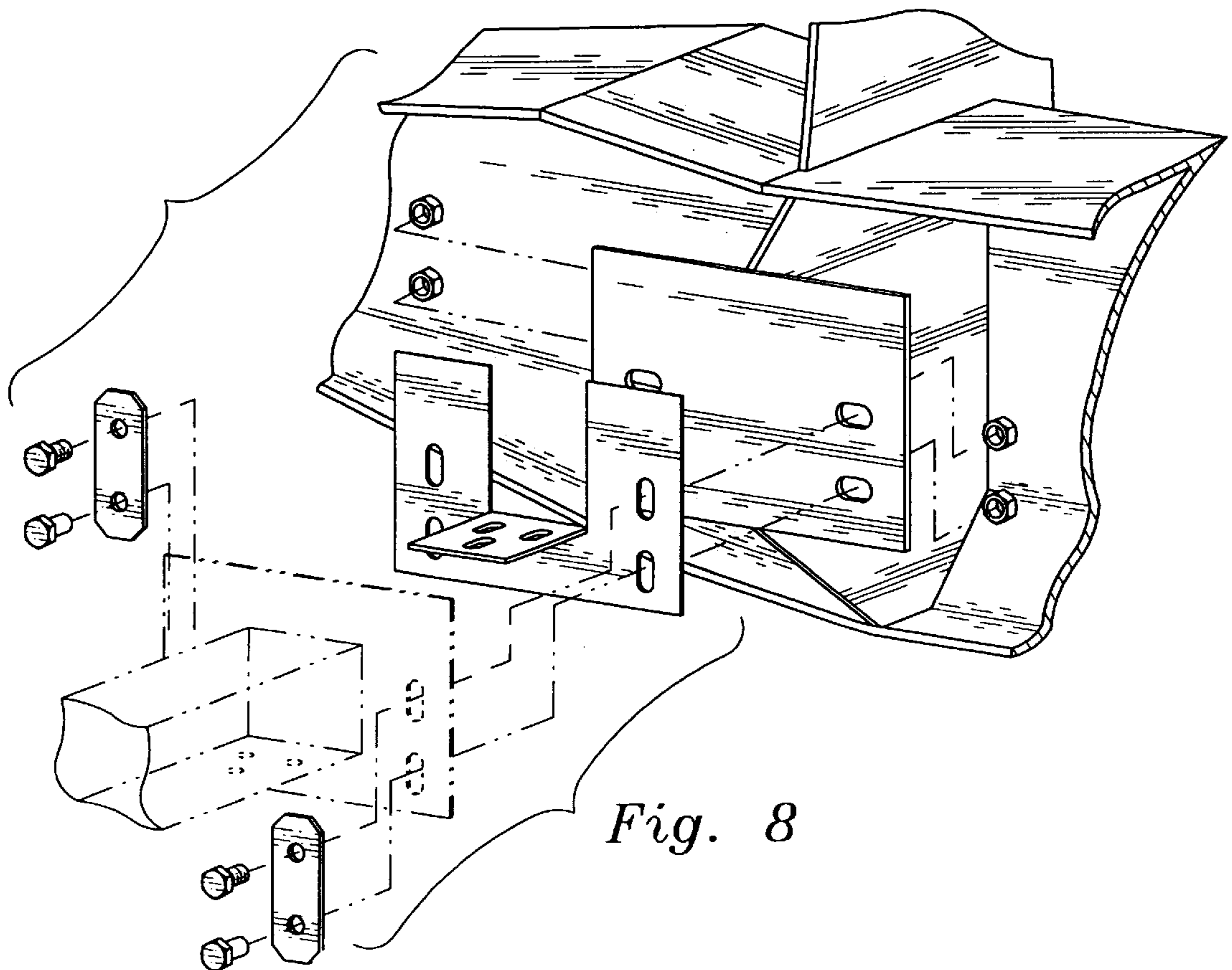


*Fig. 5*

*Fig. 6*



*Fig. 7*



*Fig. 8*