



US00D432467S

United States Patent [19]

Guspodin et al.

[11] Patent Number: **Des. 432,467**

[45] Date of Patent: **** Oct. 24, 2000**

[54] **TIRE TREAD**

D. 390,820 2/1998 Guspodin et al. D12/147
D. 403,994 1/1999 Williams D12/146

[75] Inventors: **James G. Guspodin**, Akron; **Timothy F. Robinson**, North Canton, both of Ohio

OTHER PUBLICATIONS

Laramie Ltd Sabre XJ40 TR Tire, 1998 Tread Design Guide, p. 43. 3/1, Jan. 1998.

[73] Assignee: **Bridgestone/Firestone Research, Inc.**, Akron, Ohio

Primary Examiner—Robert M. Spear
Attorney, Agent, or Firm—John M. Vasuta; Michael Sand

[**] Term: **14 Years**

[57] CLAIM

[21] Appl. No.: **29/098,485**

The ornamental design for a tire tread, as shown and described.

[22] Filed: **Dec. 30, 1998**

DESCRIPTION

[51] **LOC (7) Cl.** **12-15**

[52] **U.S. Cl.** **D12/147**

[58] **Field of Search** D12/134–152;
152/209.1, 209.8, 209.9, 209.11, 209.12,
209.13, 209.28, 900, 901, 902, 903

FIG. 1 is a side perspective view of a tire tread showing our new design, it being understood that the tread pattern is repeated throughout the circumference of the tire tread, the opposite side being the same as that shown; FIG. 2 is a front elevational view thereof; FIG. 3 is a side elevational view of the right side thereof, the opposite side being identical thereto; and, FIG. 4 is an enlarged fragmentary front elevational view thereof.

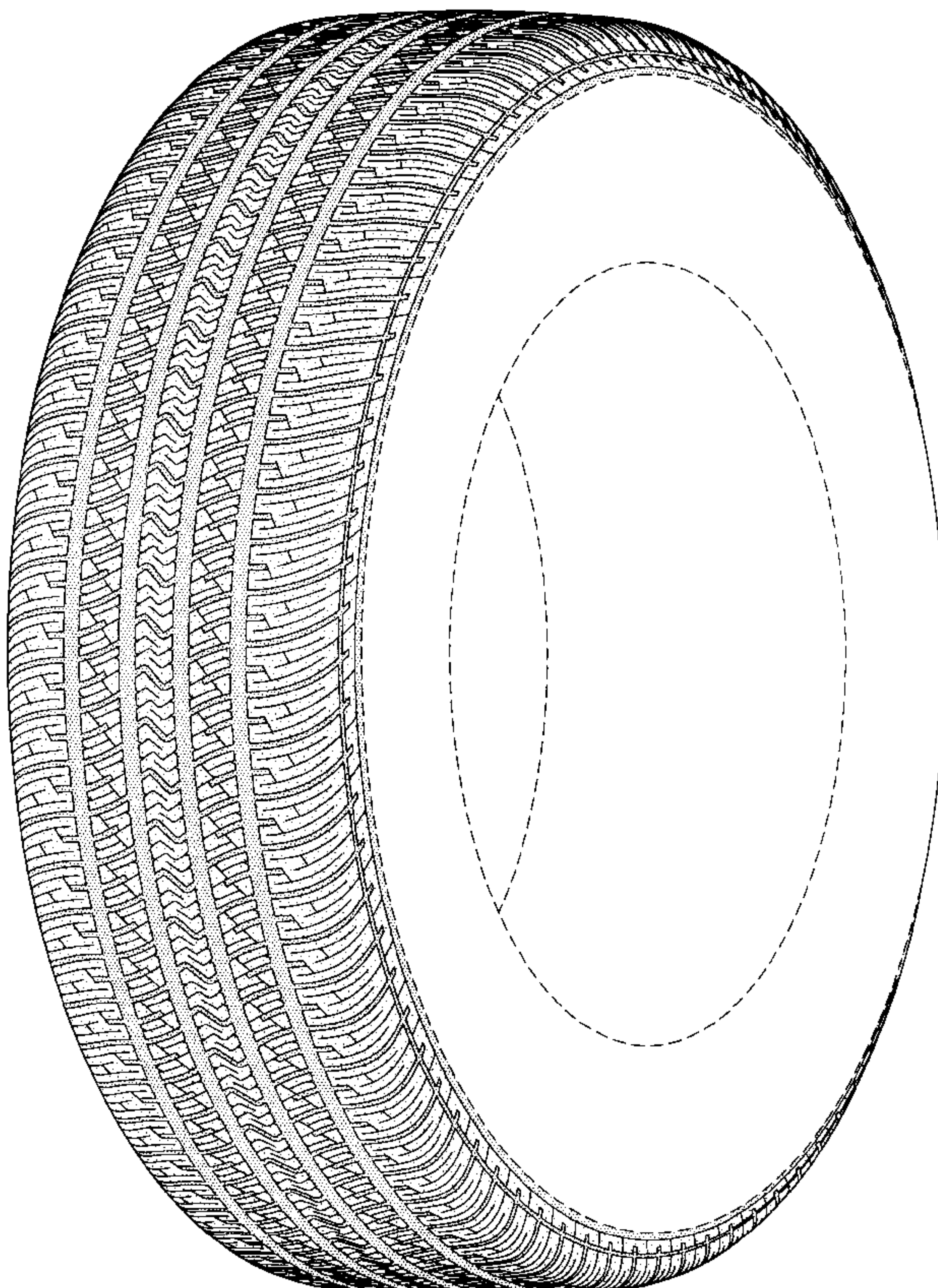
[56] References Cited

U.S. PATENT DOCUMENTS

| | | | |
|------------|---------|-----------------------|---------|
| D. 279,465 | 7/1985 | Nishio et al. | D12/147 |
| D. 328,267 | 7/1992 | Constant | D12/146 |
| D. 344,052 | 2/1994 | Attinello et al. | D12/147 |
| D. 367,453 | 2/1996 | Consolacion | D12/147 |
| D. 384,308 | 9/1997 | Heinen | D12/146 |
| D. 387,715 | 12/1997 | Miller et al. | D12/147 |
| D. 387,716 | 12/1997 | Miller et al. | D12/147 |
| D. 388,375 | 12/1997 | Harpes et al. | D12/147 |
| D. 388,377 | 12/1997 | Miller et al. | D12/147 |
| D. 390,518 | 2/1998 | White et al. | D12/147 |

The dark stippled surface shading represents the recessed portion of the tread grooves, having a depth as best shown in FIG. 2; the broken lines defining the tire sidewall and inner bead and the peripheral boundary between the tire tread and sidewall are for illustrative purposes only and form no part of the claimed design.

1 Claim, 4 Drawing Sheets



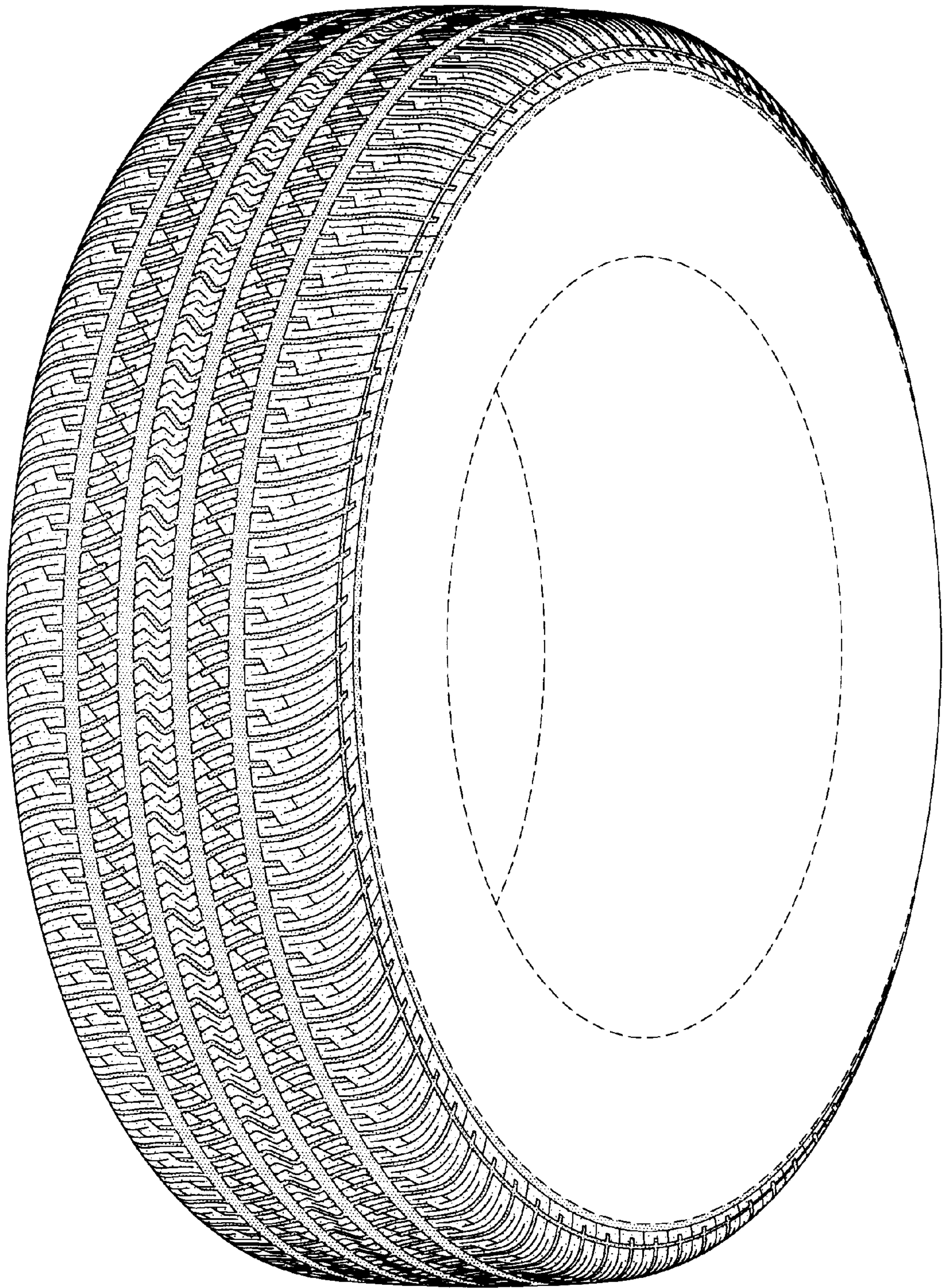


FIG-1

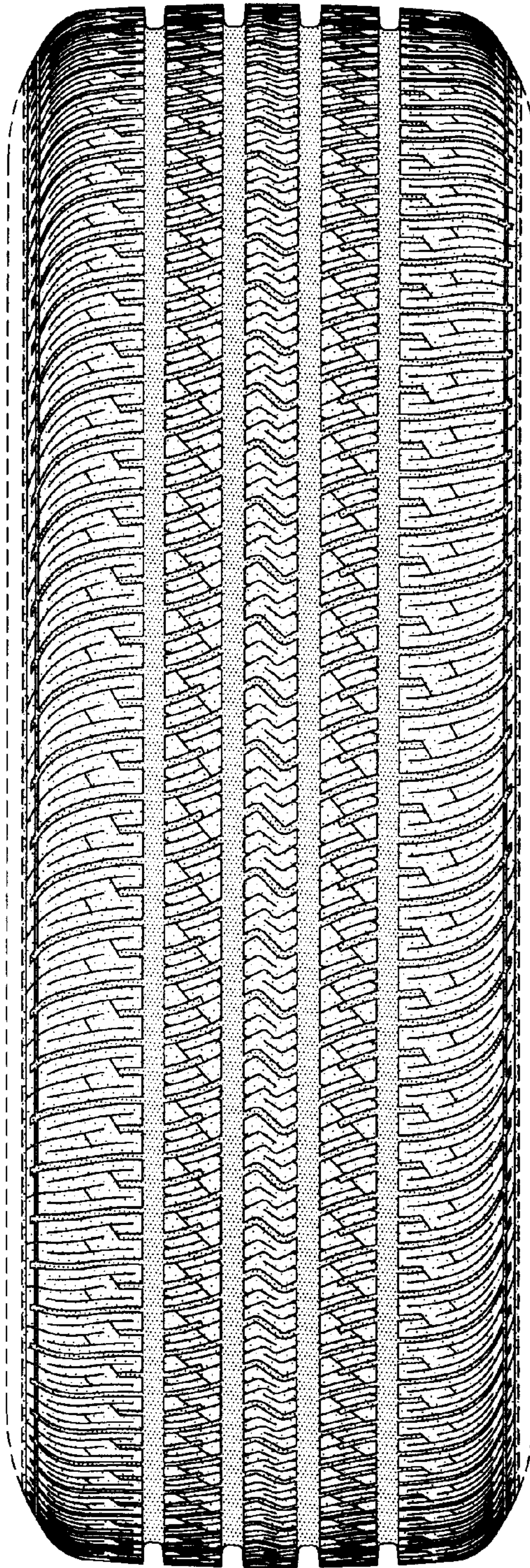


FIG-2

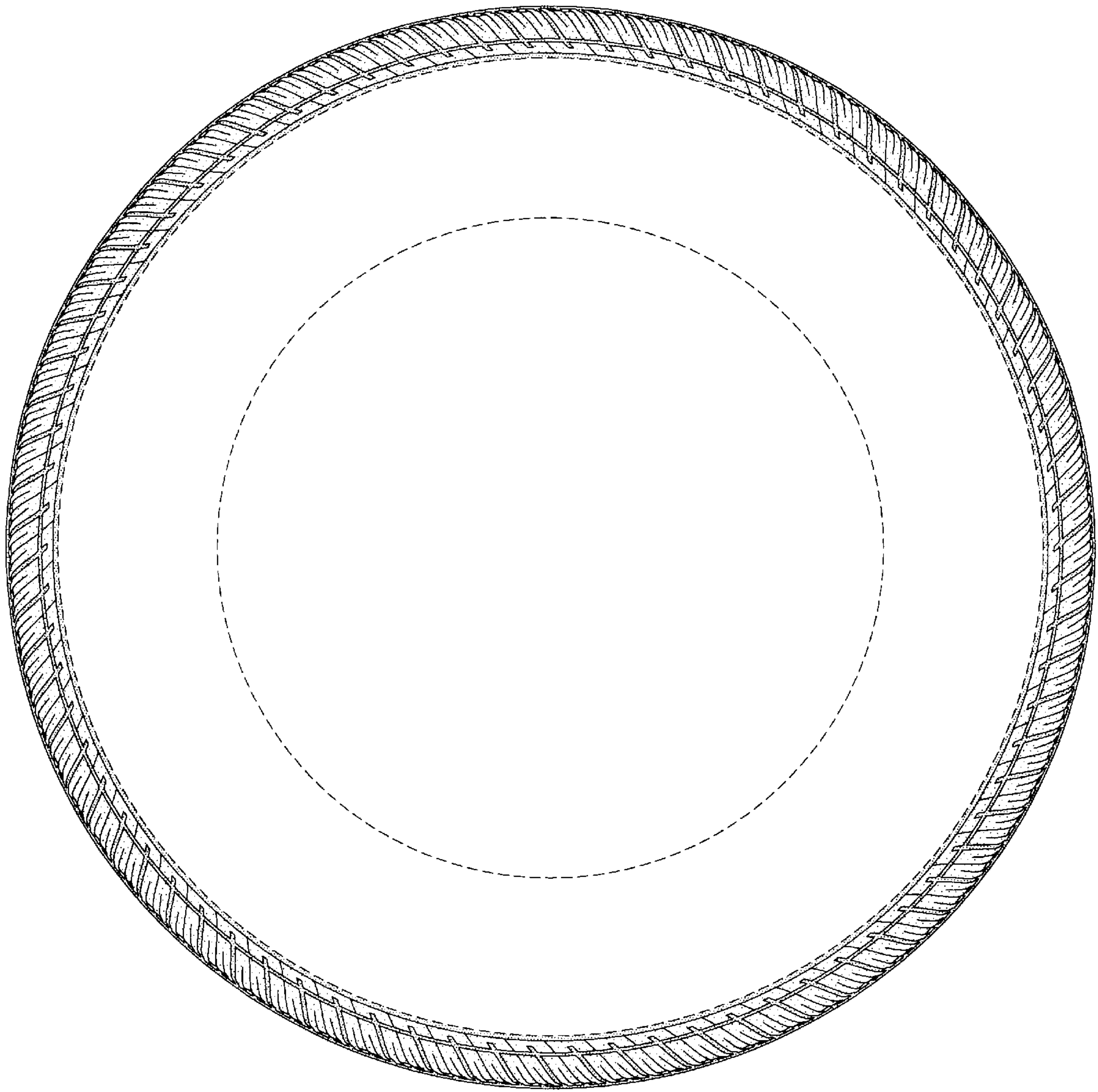


FIG-3

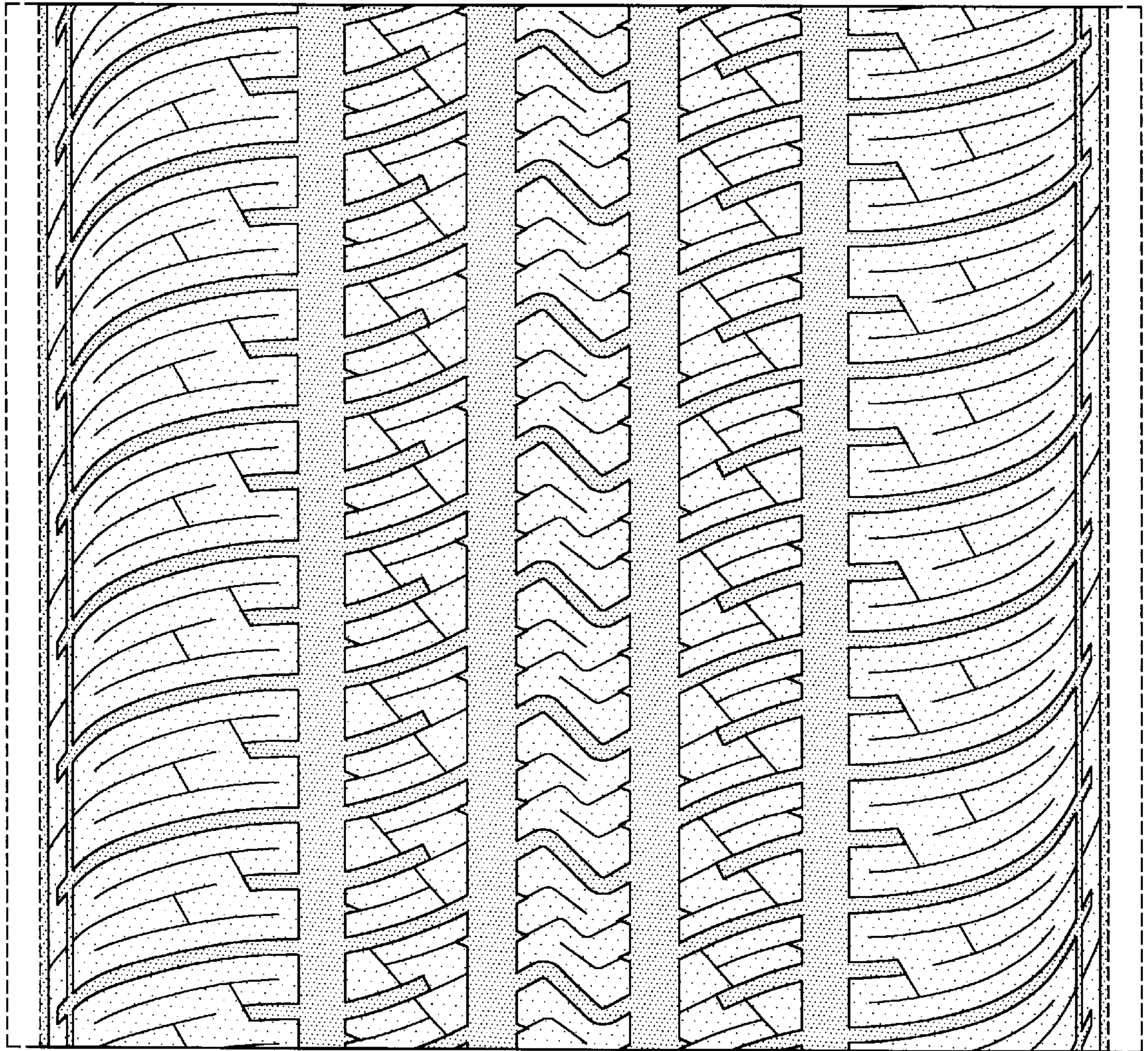


FIG-4