



US00D432466S

United States Patent [19]
Ratliff, Jr.

[11] **Patent Number: Des. 432,466**

[45] **Date of Patent: ** Oct. 24, 2000**

[54] **TIRE TREAD**

[75] Inventor: **Billy Joe Ratliff, Jr.**, Akron, Ohio

[73] Assignee: **The Goodyear Tire & Rubber Company**, Akron, Ohio

[**] Term: **14 Years**

[21] Appl. No.: **29/116,703**

[22] Filed: **Jan. 7, 2000**

[51] **LOC (7) Cl.** **12-15**

[52] **U.S. Cl.** **D12/146; D12/150**

[58] **Field of Search** **D12/134-152;**
152/209.1, 209.8, 209.9, 209.11, 209.12,
209.13, 209.28, 900, 901, 902, 903

[56] **References Cited**

U.S. PATENT DOCUMENTS

D. 367,452	2/1996	Hammond	D12/147
D. 379,341	5/1997	Ratliff, Jr.	D12/147
D. 384,921	10/1997	Ratliff, Jr.	D12/147
D. 391,206	2/1998	Maxwell	D12/147
D. 423,427	4/2000	Ratliff, Jr.	D12/147

OTHER PUBLICATIONS

Michelin XGT Z (Type A) Tire, 1998 Tread Design Guide, p. 48. 3/3, Jan. 1998.

Primary Examiner—Robert M. Spear
Attorney, Agent, or Firm—T P Lewandowski

[57] **CLAIM**

The ornamental design for a tire tread, as shown and described.

DESCRIPTION

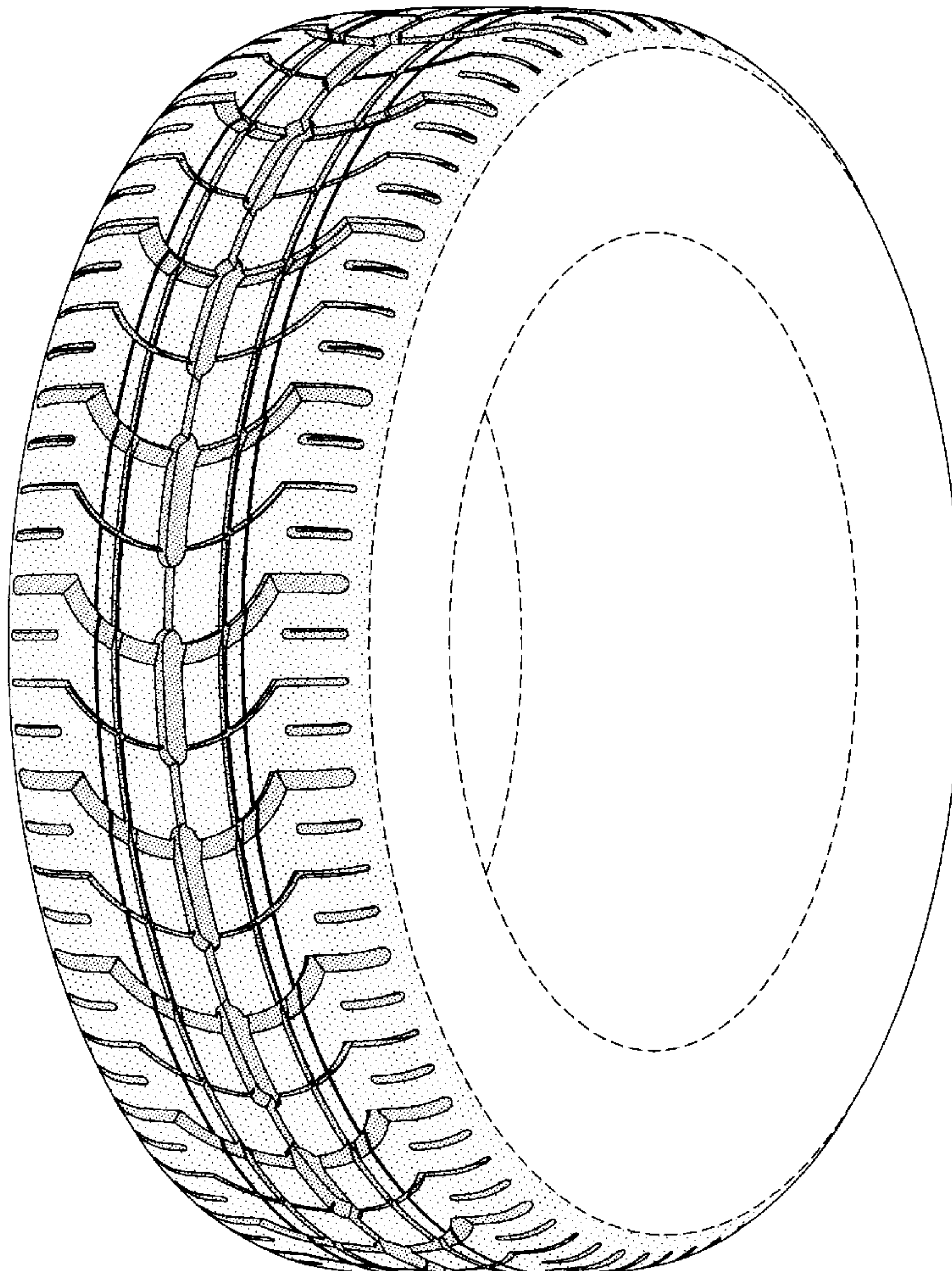
FIG. 1 is a perspective view of a tire tread showing our new design, it being understood that the pattern repeats uniformly throughout the circumference of the tread;

FIG. 2 is a front elevational view thereof; and,

FIG. 3 is a side elevational view thereof, the opposite side elevational view being a mirror image thereof.

In the drawings, the broken lines defining the inner bead of the sidewall and the peripheral boundary between the tire tread and the sidewall are for illustrative purposes only and form no part of the claimed design.

1 Claim, 3 Drawing Sheets



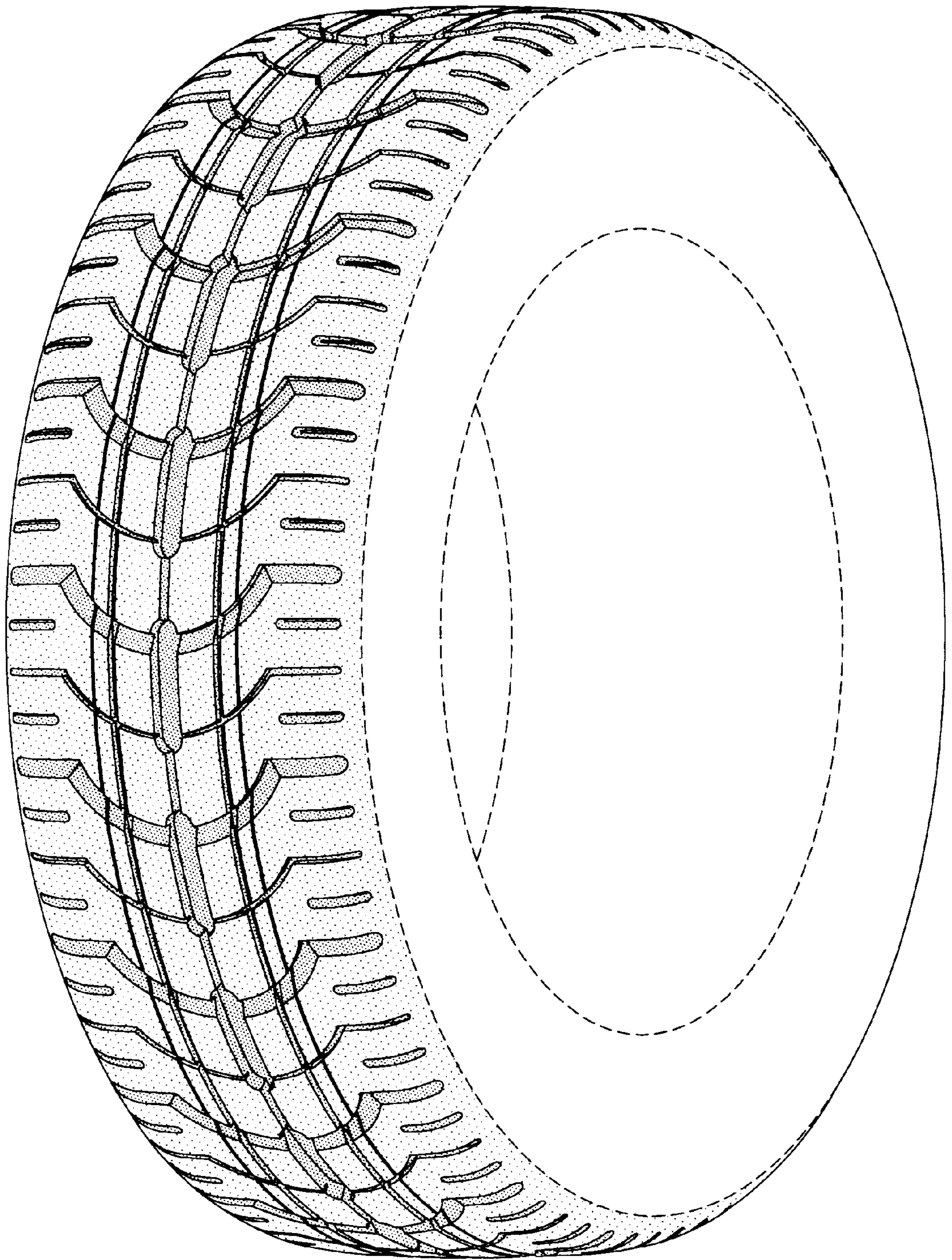


FIG-1

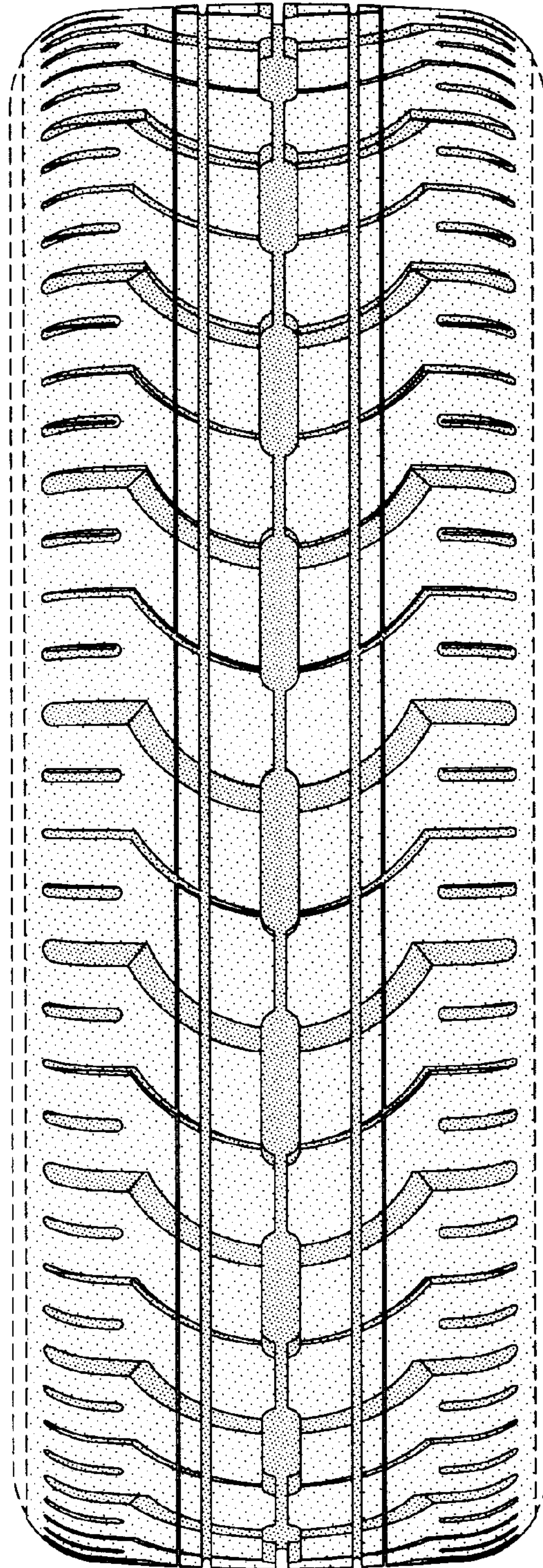


FIG-2

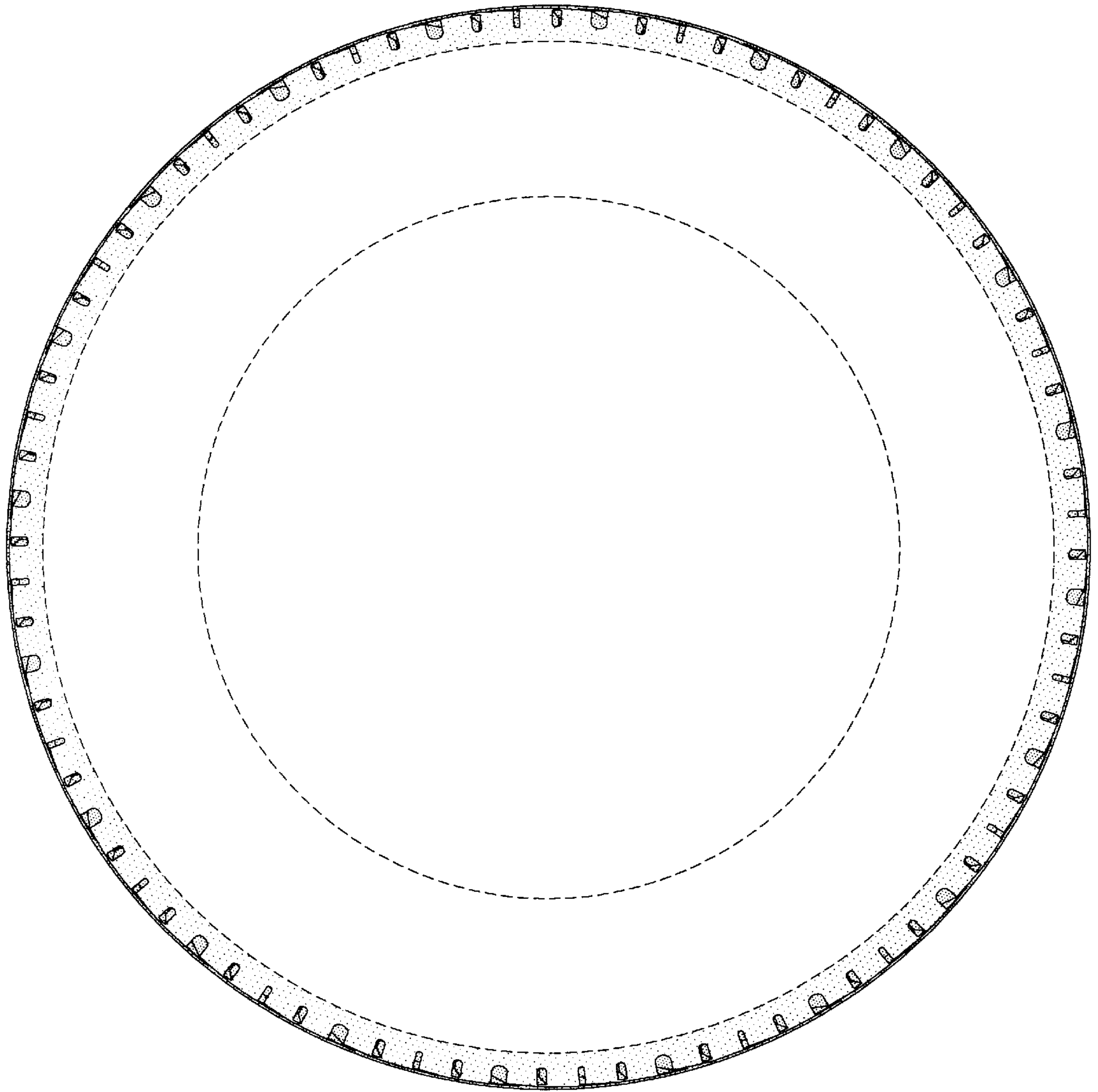


FIG-3