



US00D432463S

United States Patent [19]
Hanamura

[11] **Patent Number: Des. 432,463**
[45] **Date of Patent: ** Oct. 24, 2000**

[54] **BICYCLE PEDAL**

[75] Inventor: **Junichi Hanamura**, Wakayama, Japan

[73] Assignee: **Shimano Inc.**, Osaka, Japan

[**] Term: **14 Years**

[21] Appl. No.: **29/103,625**

[22] Filed: **Apr. 19, 1999**

Related U.S. Application Data

[62] Division of application No. 29/083,235, Feb. 6, 1998, Pat. No. Des. 414,723.

[51] **LOC (7) Cl.** **12-11**

[52] **U.S. Cl.** **D12/125**

[58] **Field of Search** D12/125; 74/594.1-594.6

[56] **References Cited**

U.S. PATENT DOCUMENTS

D. 284,459	7/1986	Shimizu	D12/125
D. 299,449	1/1989	Chounan	D12/125
D. 302,668	8/1989	Chounan	D12/125
D. 387,706	12/1997	Hanamura	D12/125
5,381,708	1/1995	Liao	74/594.6
5,423,233	6/1995	Peyk et al.	74/594.6

Primary Examiner—Alan P. Douglas
Assistant Examiner—Linda Brooks
Attorney, Agent, or Firm—Shinjyu Global IP Counselors, LLP

[57] **CLAIM**

The ornamental design for a bicycle pedal, as shown and described.

DESCRIPTION

FIG. 1 is a perspective view of a bicycle pedal showing my new design in accordance with a first embodiment;
FIG. 2 is a first side elevational view of the bicycle pedal showing my new design in accordance with the first embodiment;

FIG. 3 is a top view of the bicycle pedal, showing my new design in accordance with the first embodiment;

FIG. 4 is a second side elevational view of the bicycle pedal, showing my new design in accordance with the first embodiment;

FIG. 5 is a bottom elevational view of the bicycle pedal, showing my new design in accordance with the first embodiment;

FIG. 6 is a third side elevational view of the bicycle pedal, showing my new design in accordance with the first embodiment;

FIG. 7 is a fourth side elevational view of the bicycle pedal, showing my new design;

FIG. 8 is a perspective view of a bicycle pedal showing my new design in accordance with a second embodiment;

FIG. 9 is a top elevational view of the bicycle pedal showing my new design in accordance with the second embodiment;

FIG. 10 is a first side elevational view of the bicycle pedal, showing my new design in accordance with the second embodiment;

FIG. 11 is a second side elevational view of the bicycle pedal, showing my new design in accordance with the second embodiment;

FIG. 12 is a bottom elevational view of the bicycle pedal, showing my new design in accordance with the second embodiment;

FIG. 13 is a third side elevational view of the bicycle pedal, showing my new design in accordance with the second embodiment; and,

FIG. 14 is a fourth side elevational view of the bicycle pedal, showing my new design in accordance with the second embodiment.

The drawings show a pedal used with a bicycle in accordance with embodiments of my new design.

The surfaces or portions of the article not shown in the drawings or described in the specification form no part of the claimed design. The broken lines shown are for illustrative purposes only and form no part of the claimed design.

1 Claim, 8 Drawing Sheets

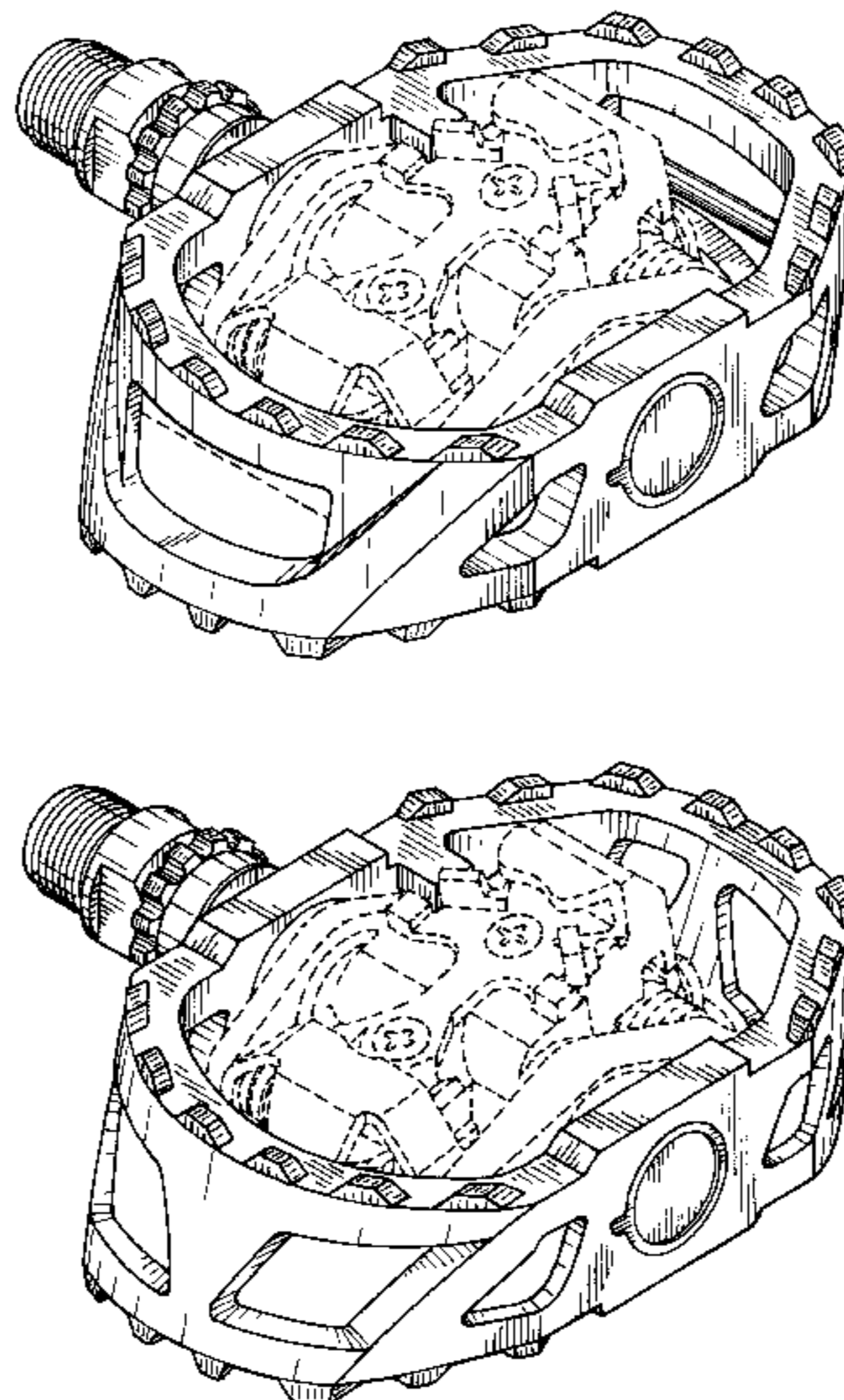


FIG. 1

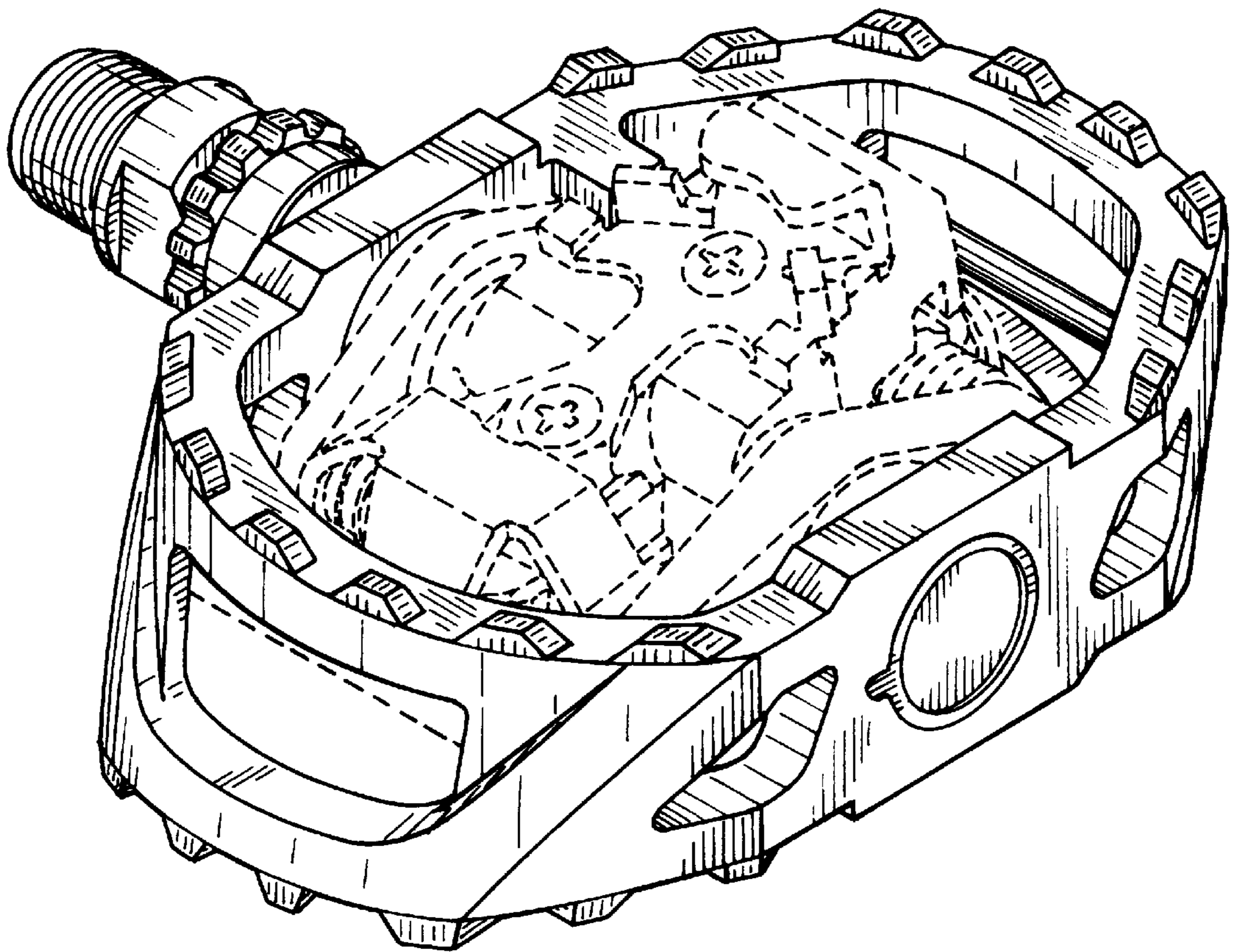


FIG. 2

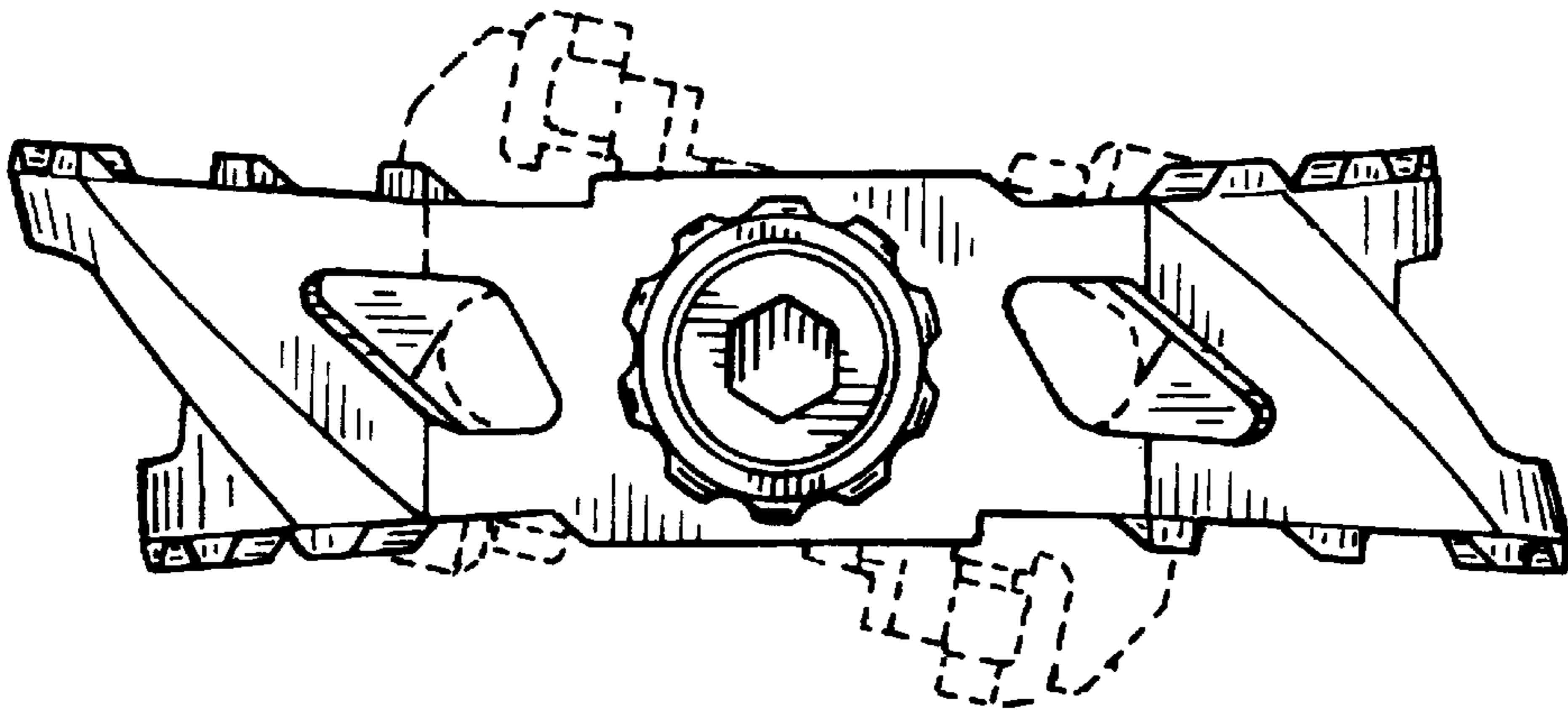


FIG. 3

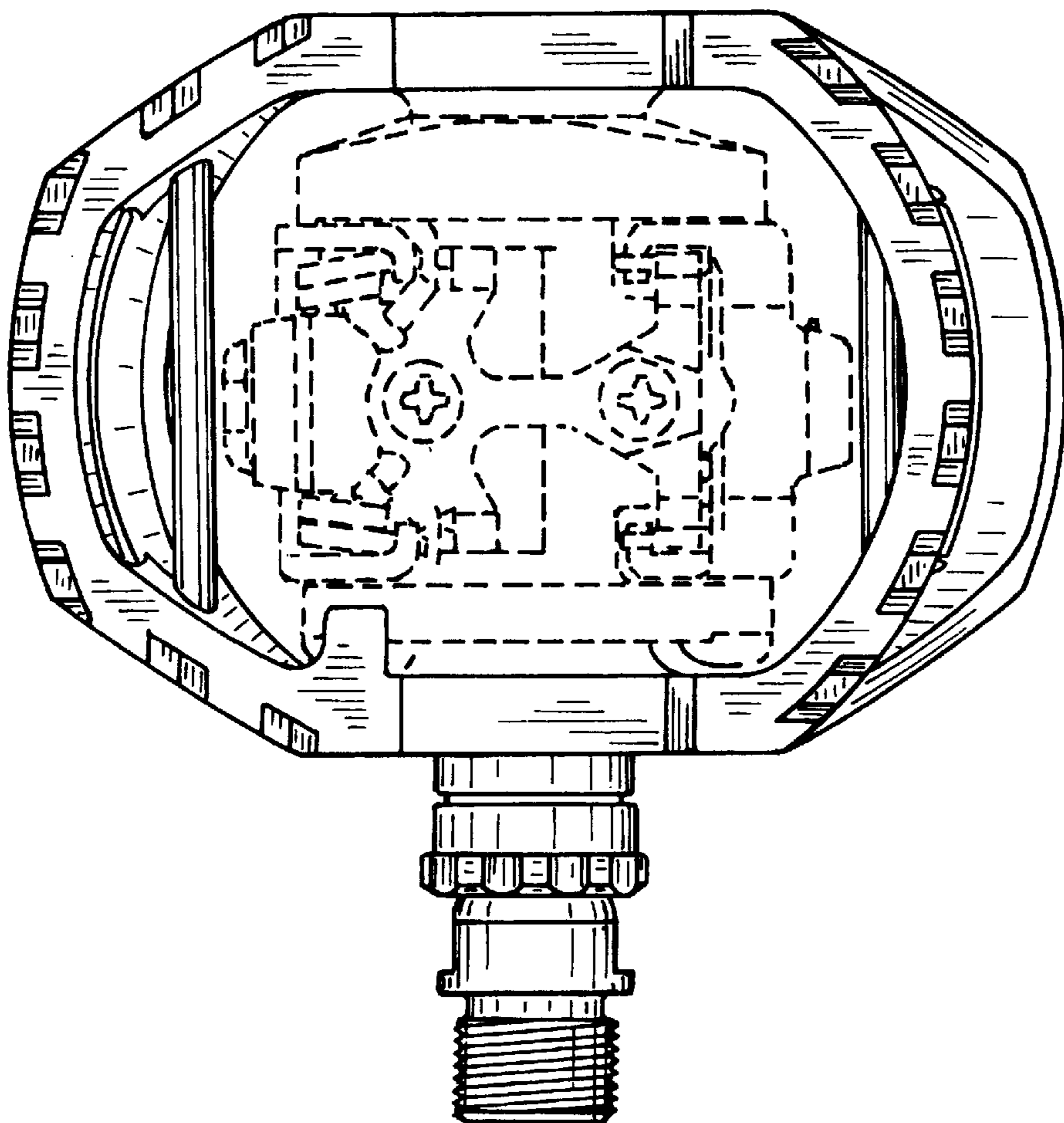


FIG. 4

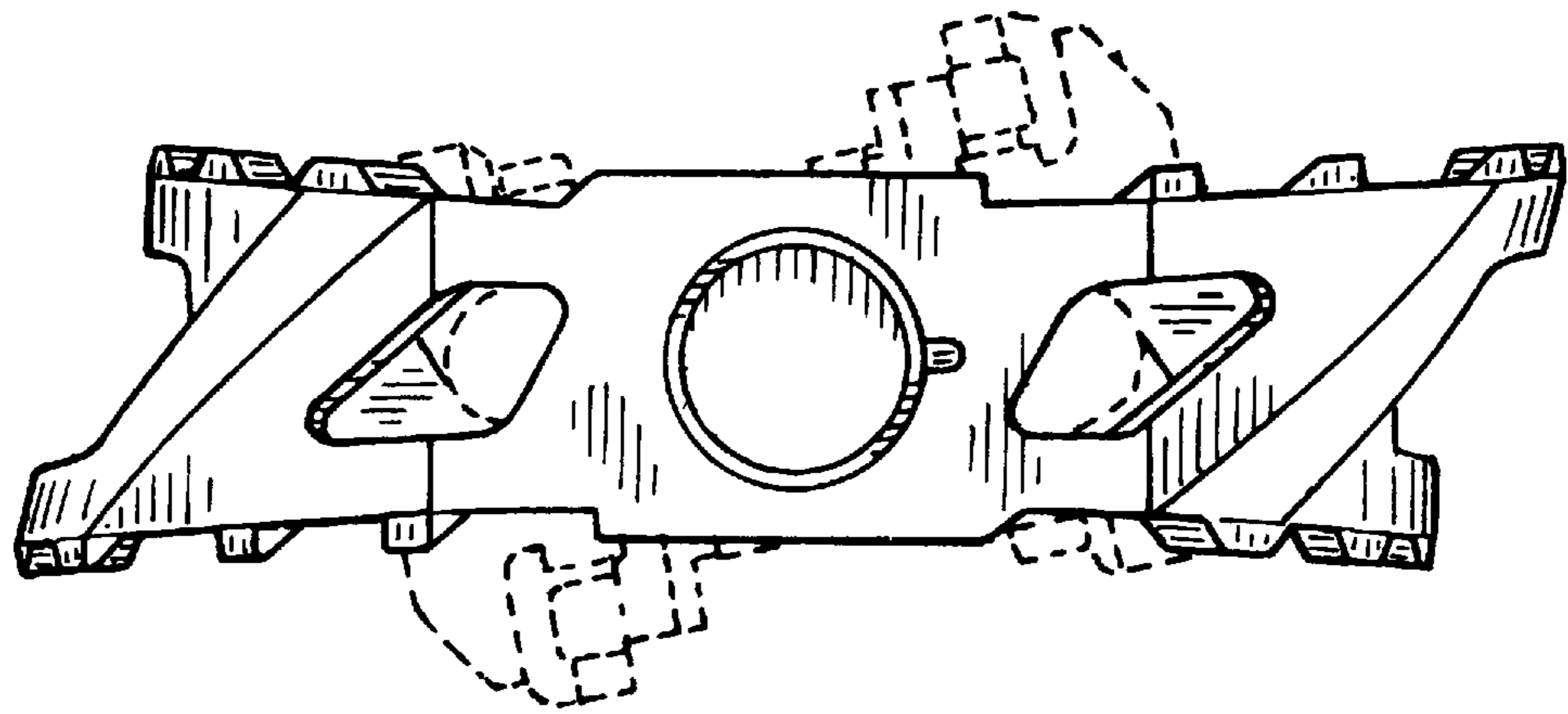


FIG. 5

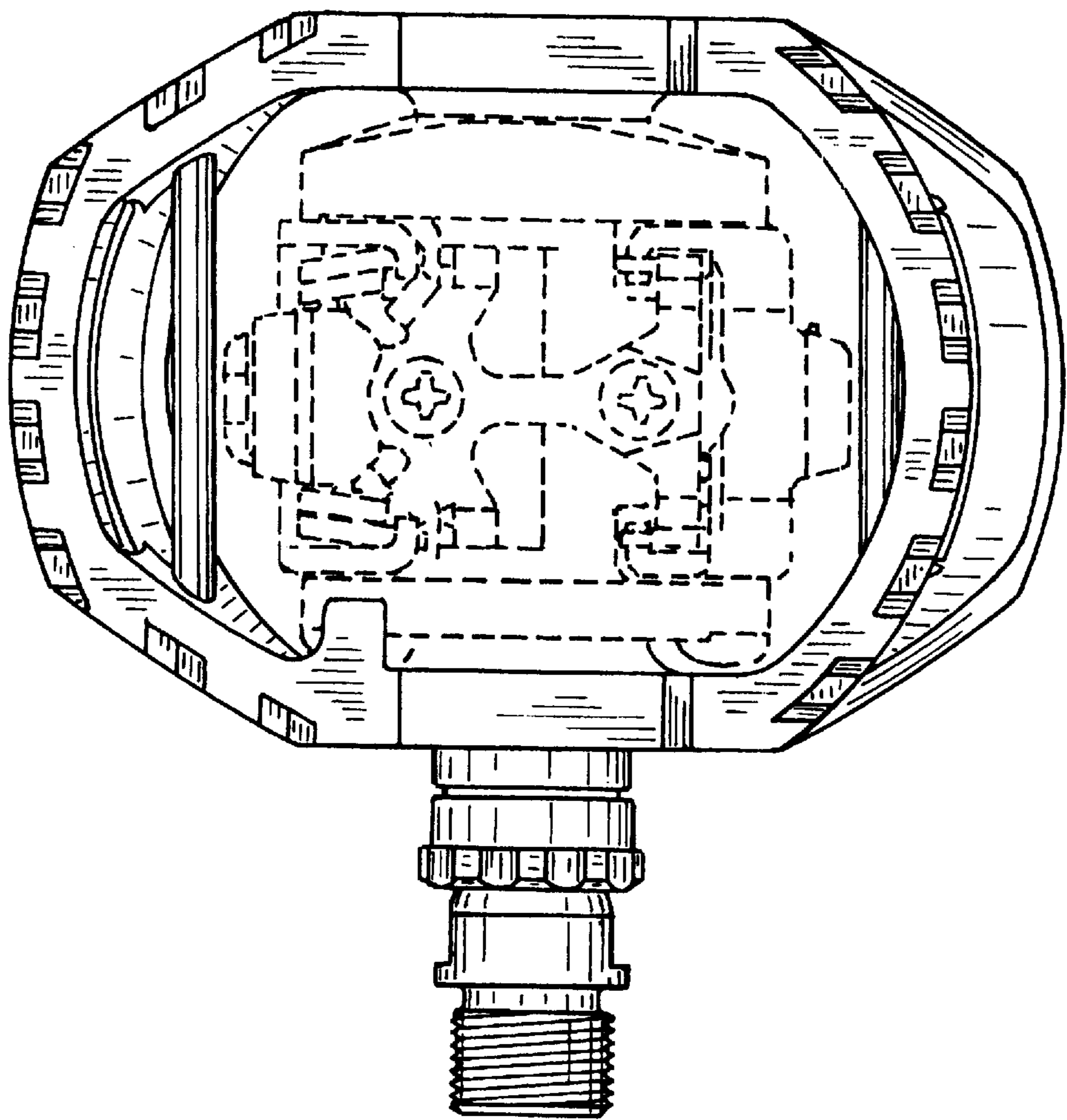


FIG. 6

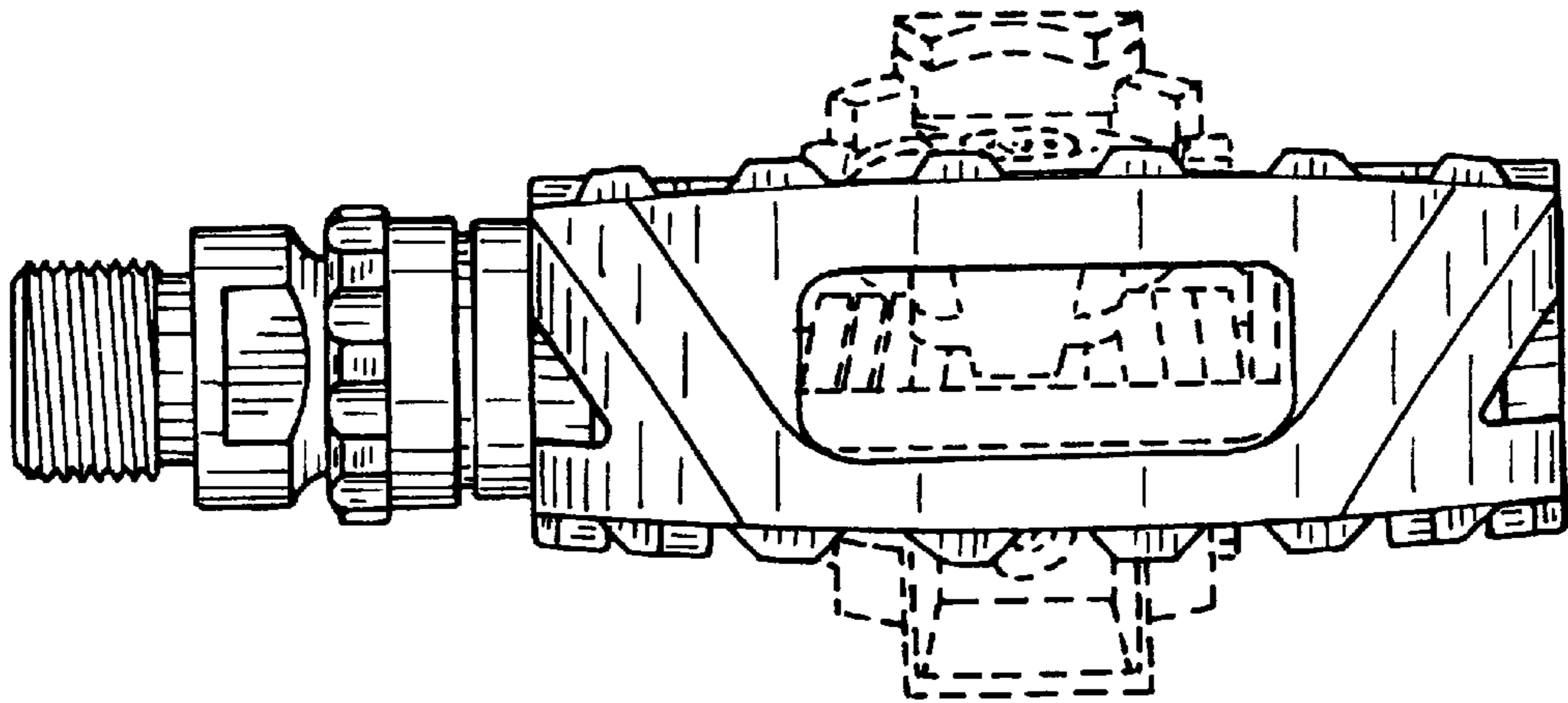


FIG. 7

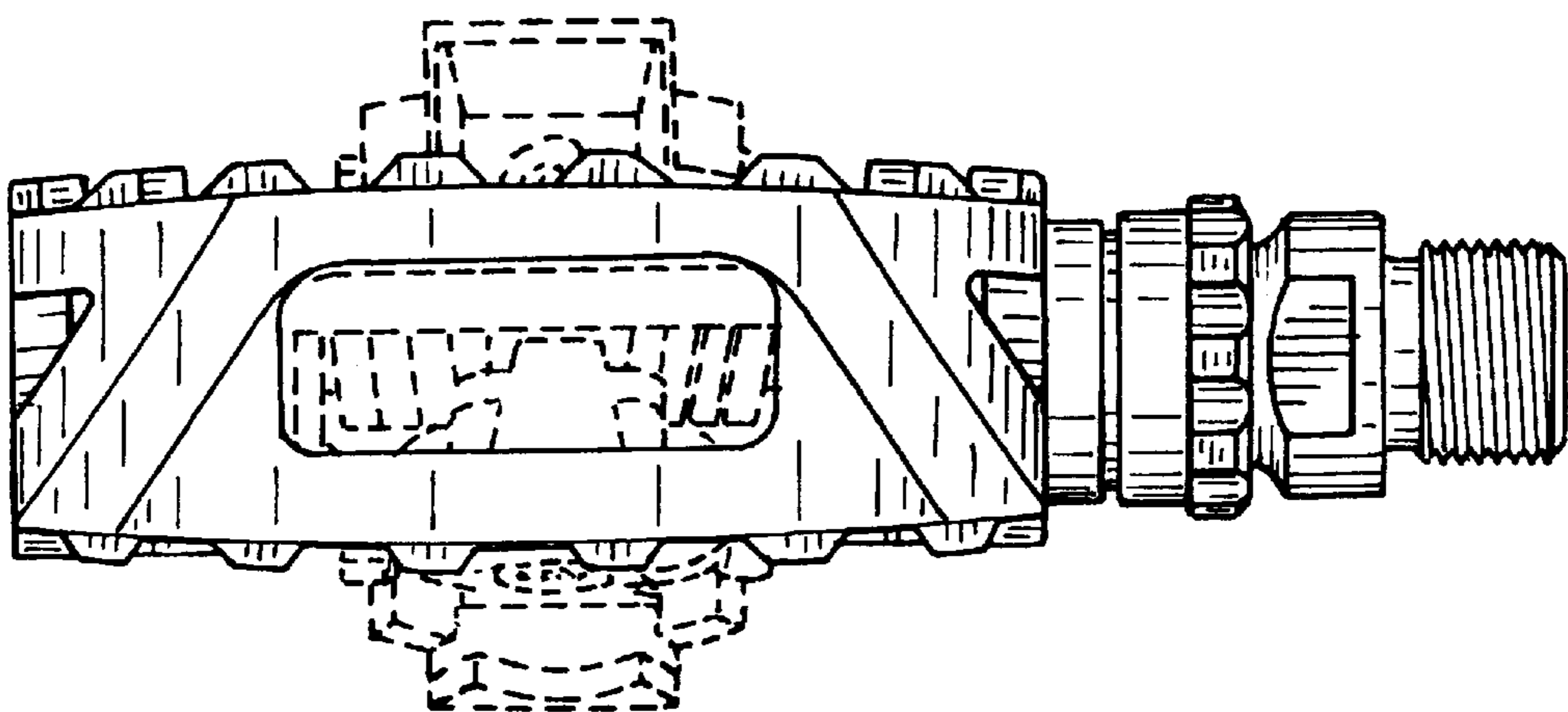


FIG. 8

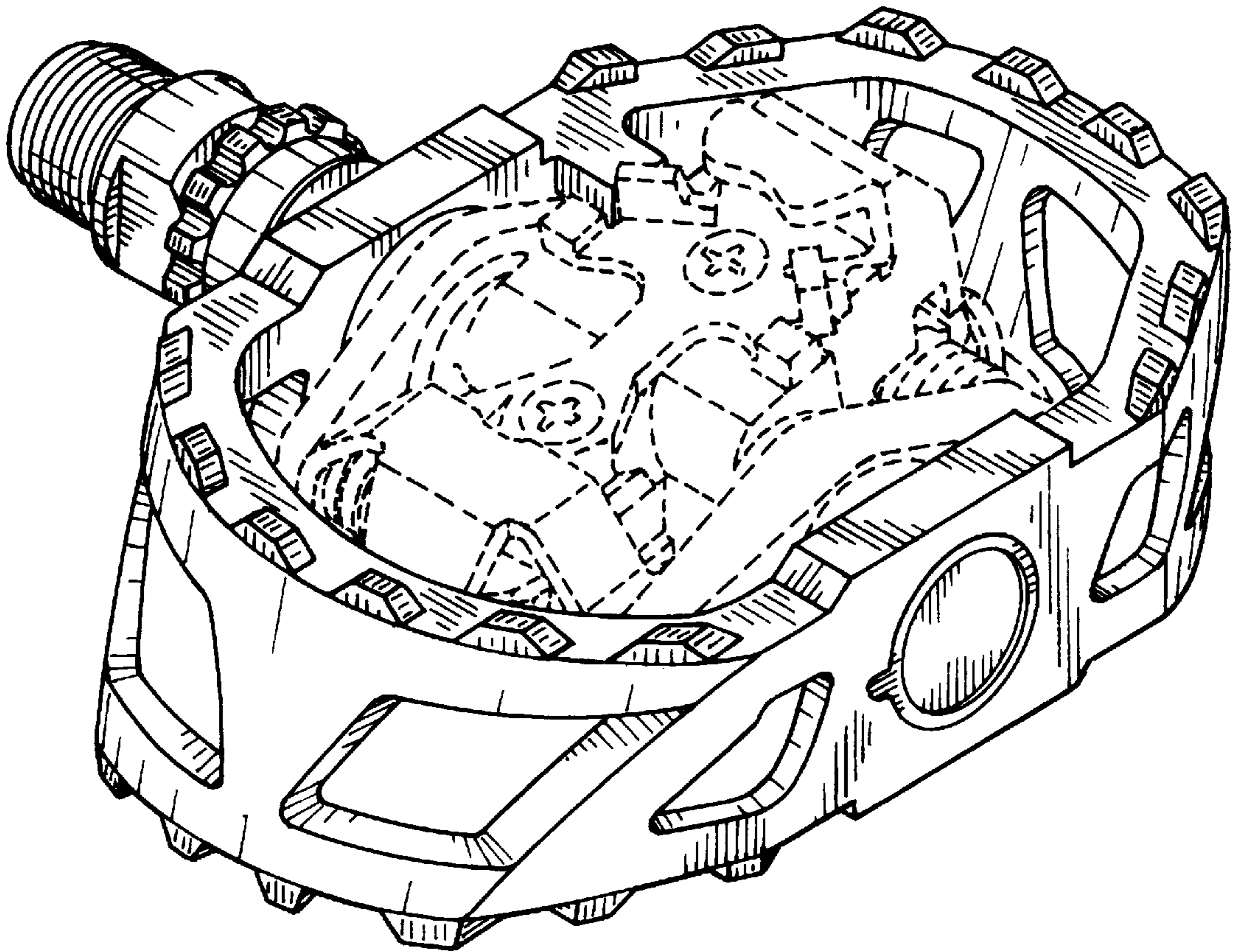


FIG. 9

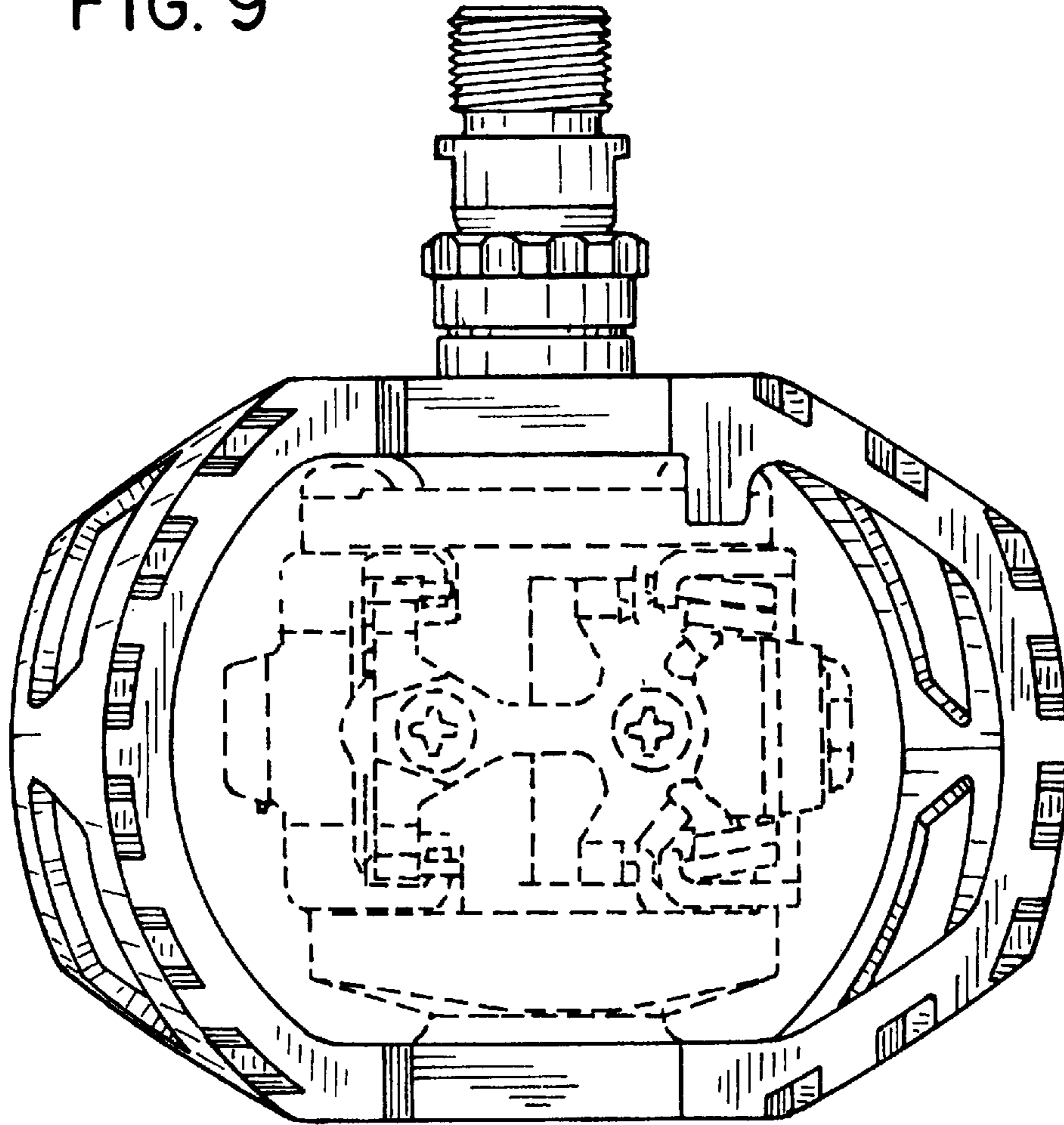


FIG. 10

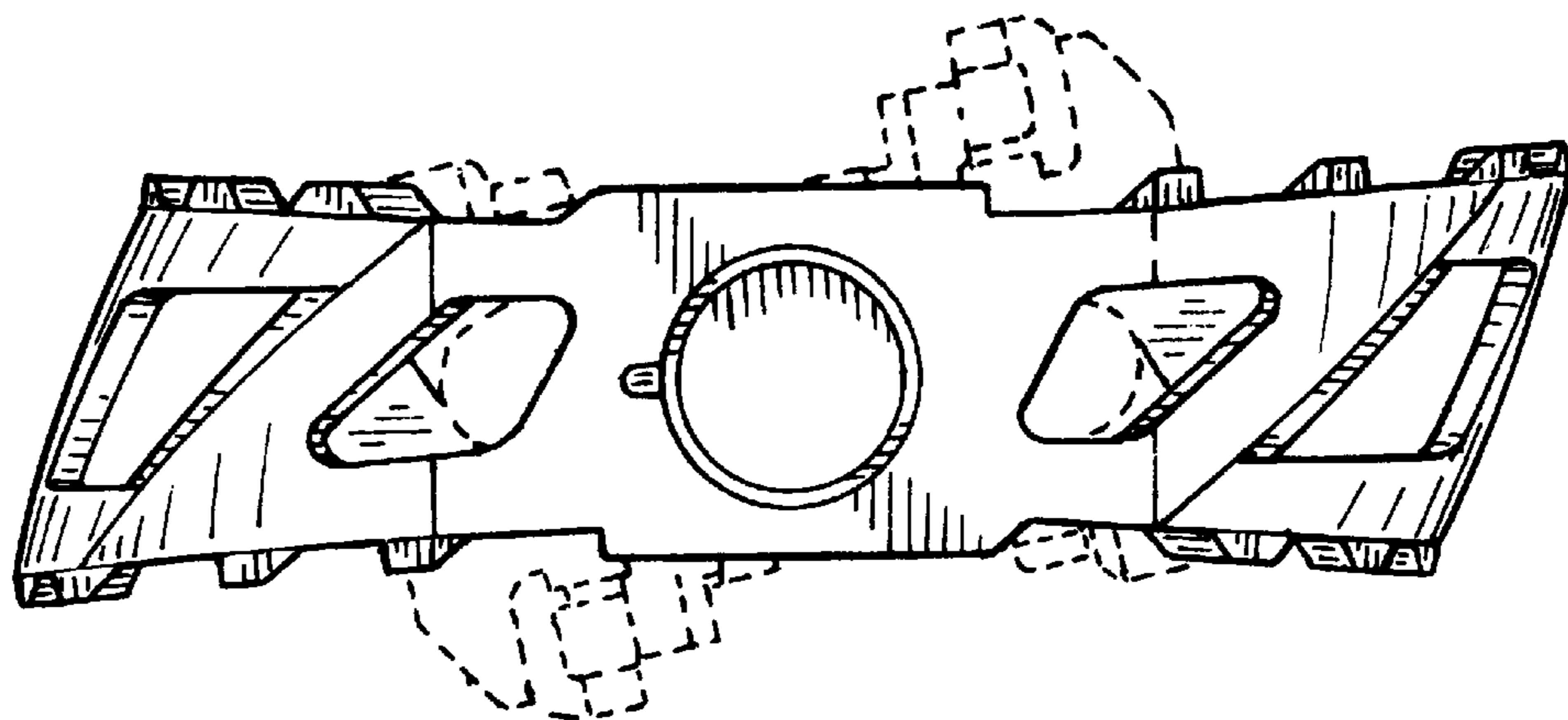


FIG. II

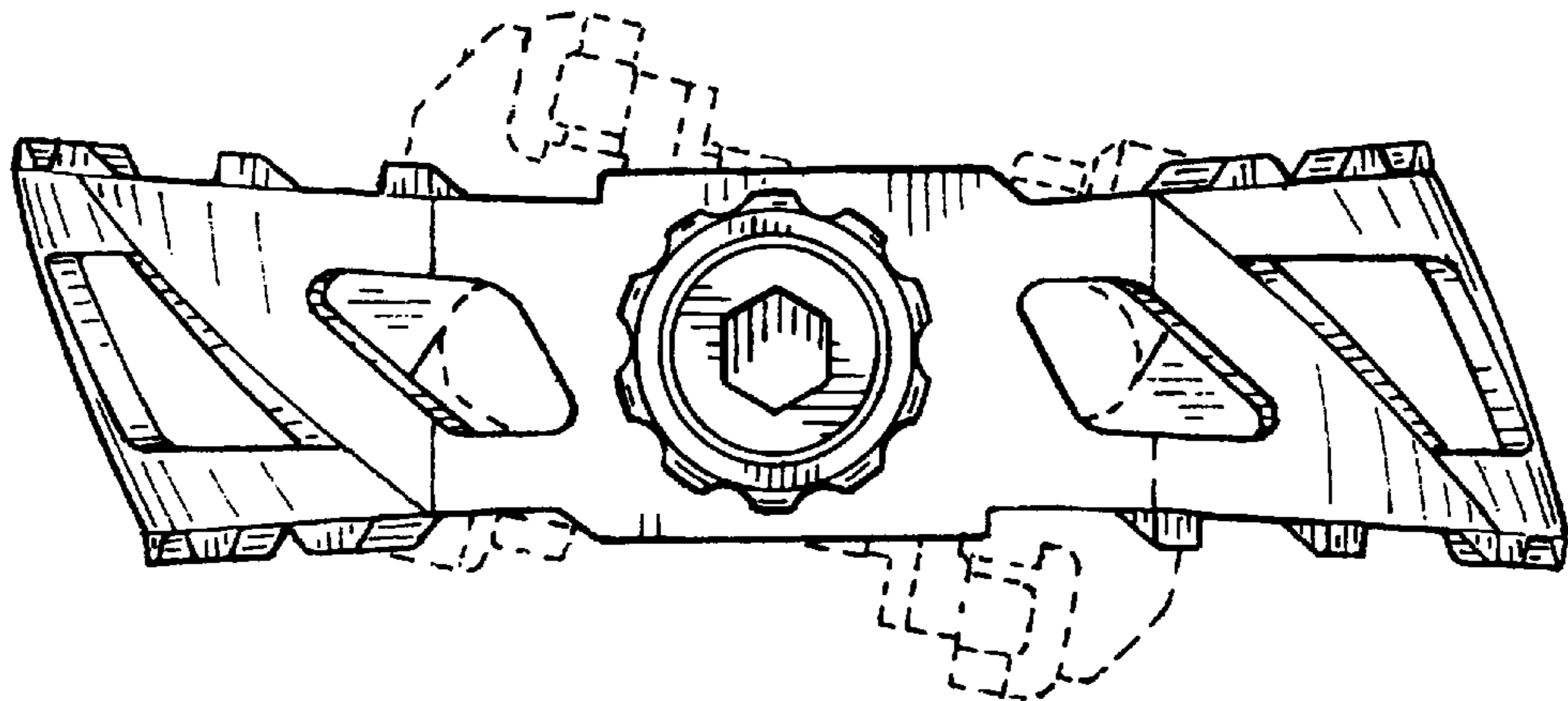


FIG. 12

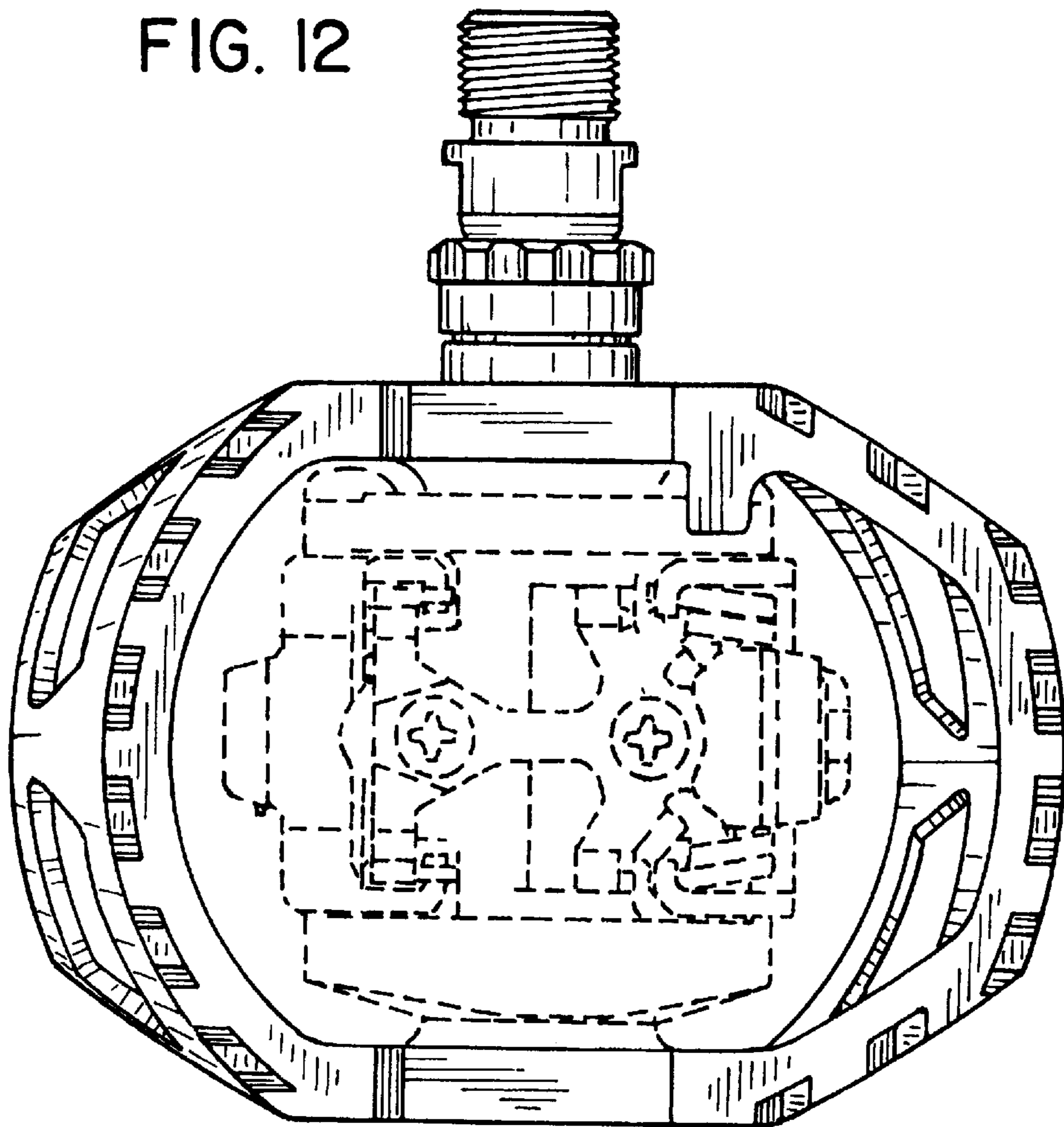


FIG. 13

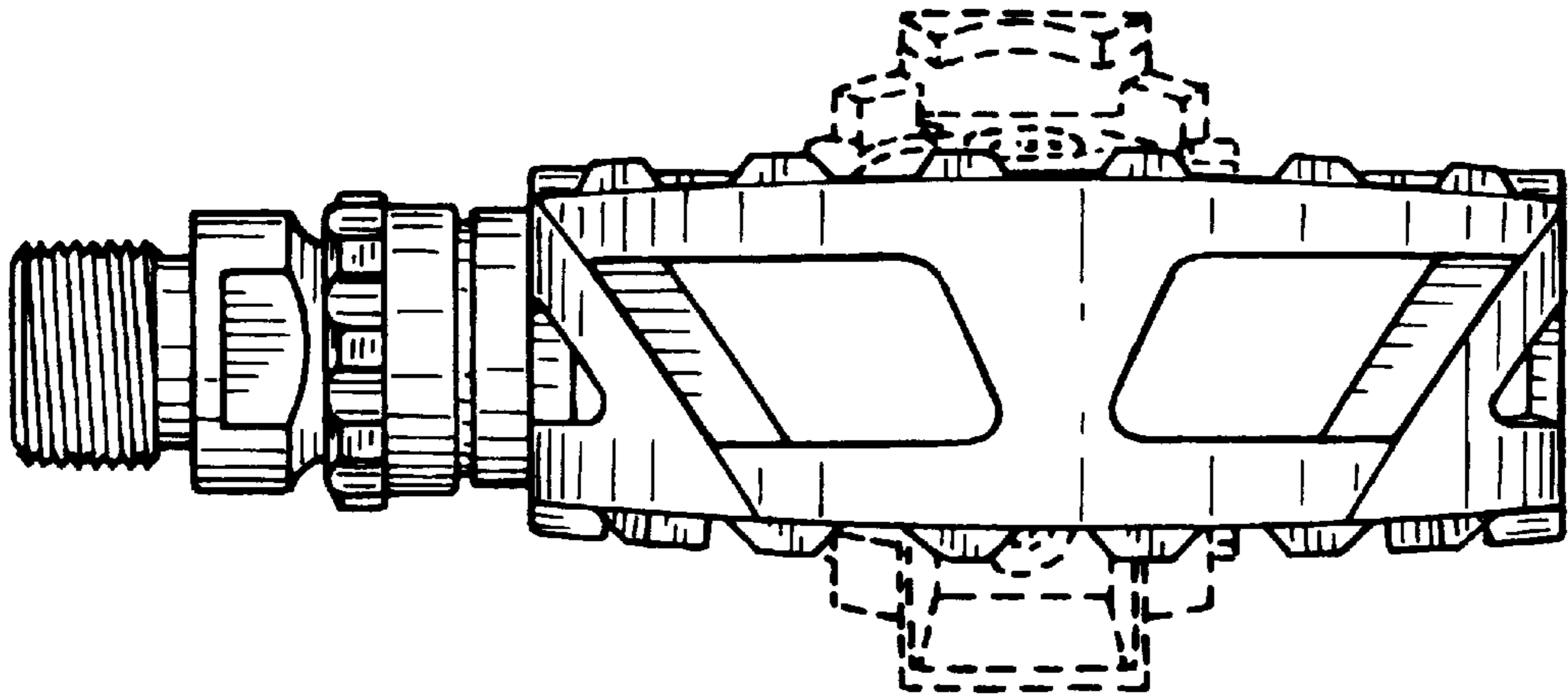


FIG. 14

