



US00D432462S

United States Patent [19] Milligan

[11] **Patent Number: Des. 432,462**

[45] **Date of Patent: ** *Oct. 24, 2000**

[54] **ROLLER BLADE CONTROL VEHICLE**

3,947,033 3/1976 Bennett D12/1
4,828,284 5/1989 Sandgren D12/112

[75] Inventor: **Bette Diane Milligan**, Calgary, Canada

Primary Examiner—Melody N. Brown

[73] Assignee: **Bette D. Milligan**, Calgary, Canada

[57] **CLAIM**

[*] Notice: This patent is subject to a terminal disclaimer.

The ornamental design for a roller blade control vehicle, as shown and described.

[**] Term: **14 Years**

DESCRIPTION

[21] Appl. No.: **29/047,830**

FIG. 1 is a front perspective view of the roller blade control vehicle according to my design;

[22] Filed: **Dec. 12, 1995**

FIG. 2 is a front elevational view of the design according to FIG. 1;

[51] **LOC (7) Cl.** **12-11**

FIG. 3 is a rear elevational view of the design according to FIG. 1;

[52] **U.S. Cl.** **D12/107; D12/112**

FIG. 4 is a side elevational view of the design according to FIG. 1;

[58] **Field of Search** D12/1, 107, 112, D12/111, 114; 280/288.4, 304.3, 304.5, 304, 303; D21/78; 273/105.2

FIG. 5 is a top plan view of the design according to FIG. 1; and

[56] **References Cited**

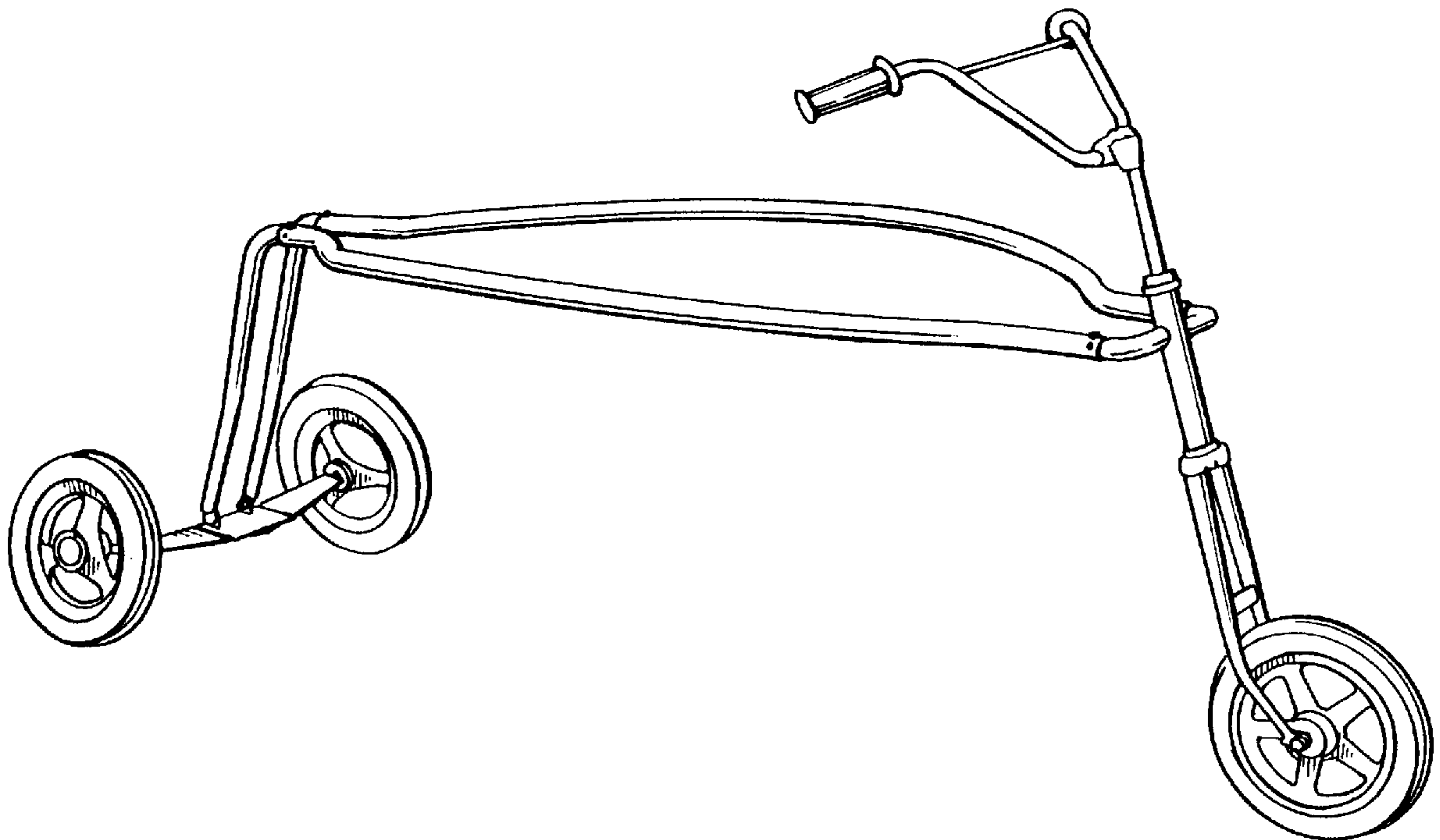
FIG. 6 is a bottom plan view of the design according to FIG. 1; and,

U.S. PATENT DOCUMENTS

FIG. 7 is an opposite side view of the design of FIG. 4.

D. 220,668	5/1971	Purdy	D12/111
D. 366,636	1/1996	Smith	D12/114
3,123,379	3/1964	Stocking	D12/112

1 Claim, 3 Drawing Sheets



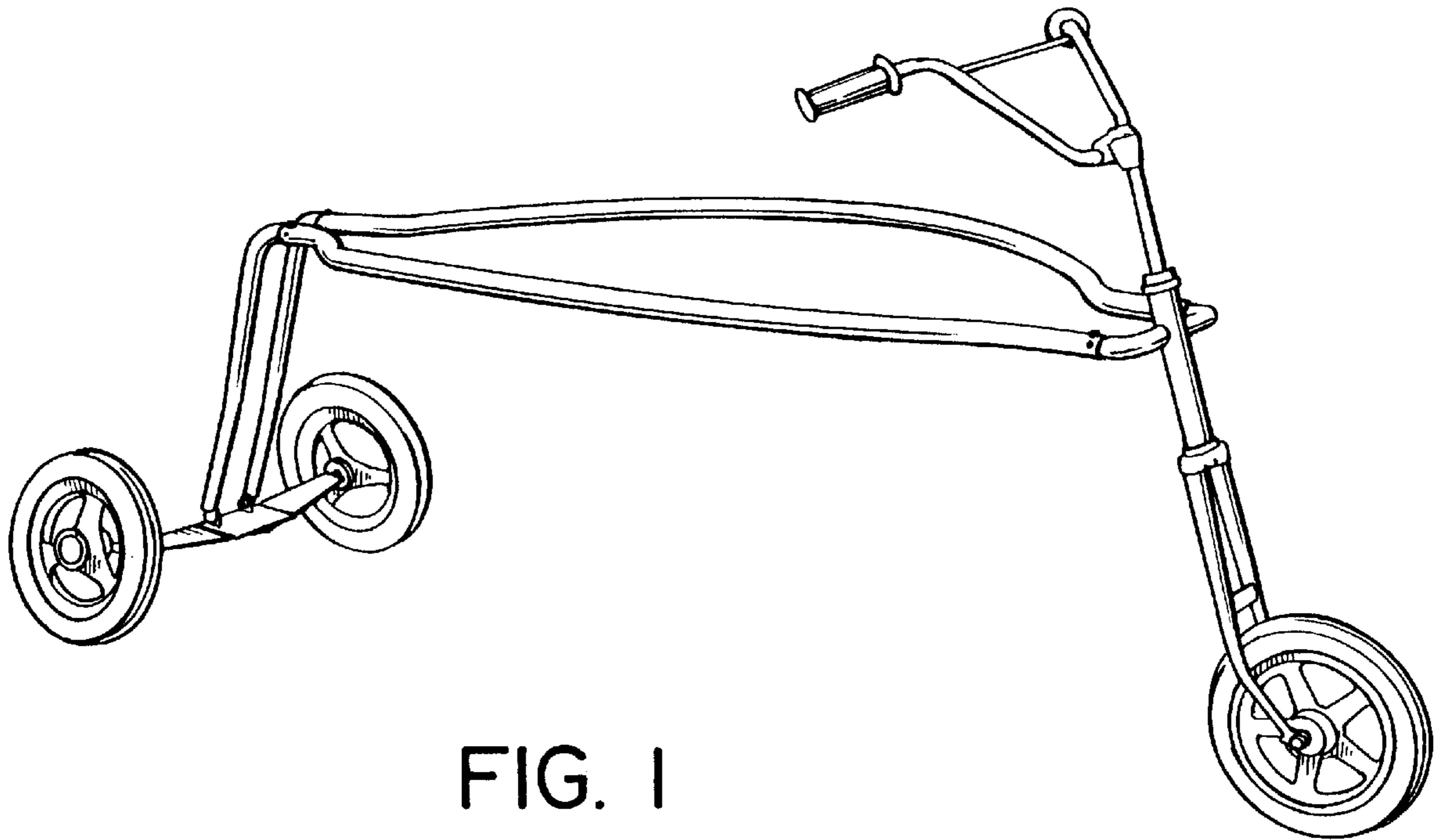


FIG. 1

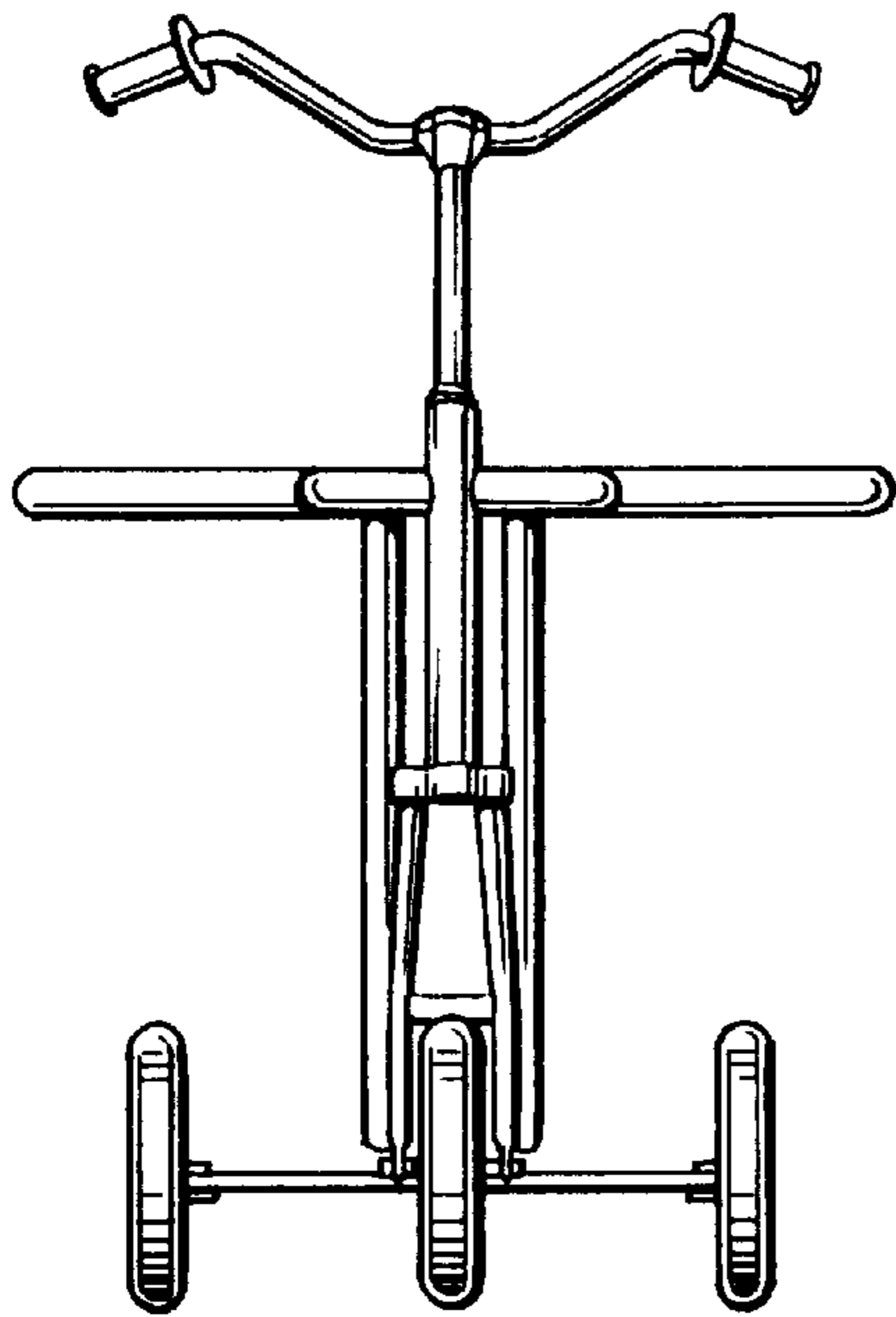


FIG. 2

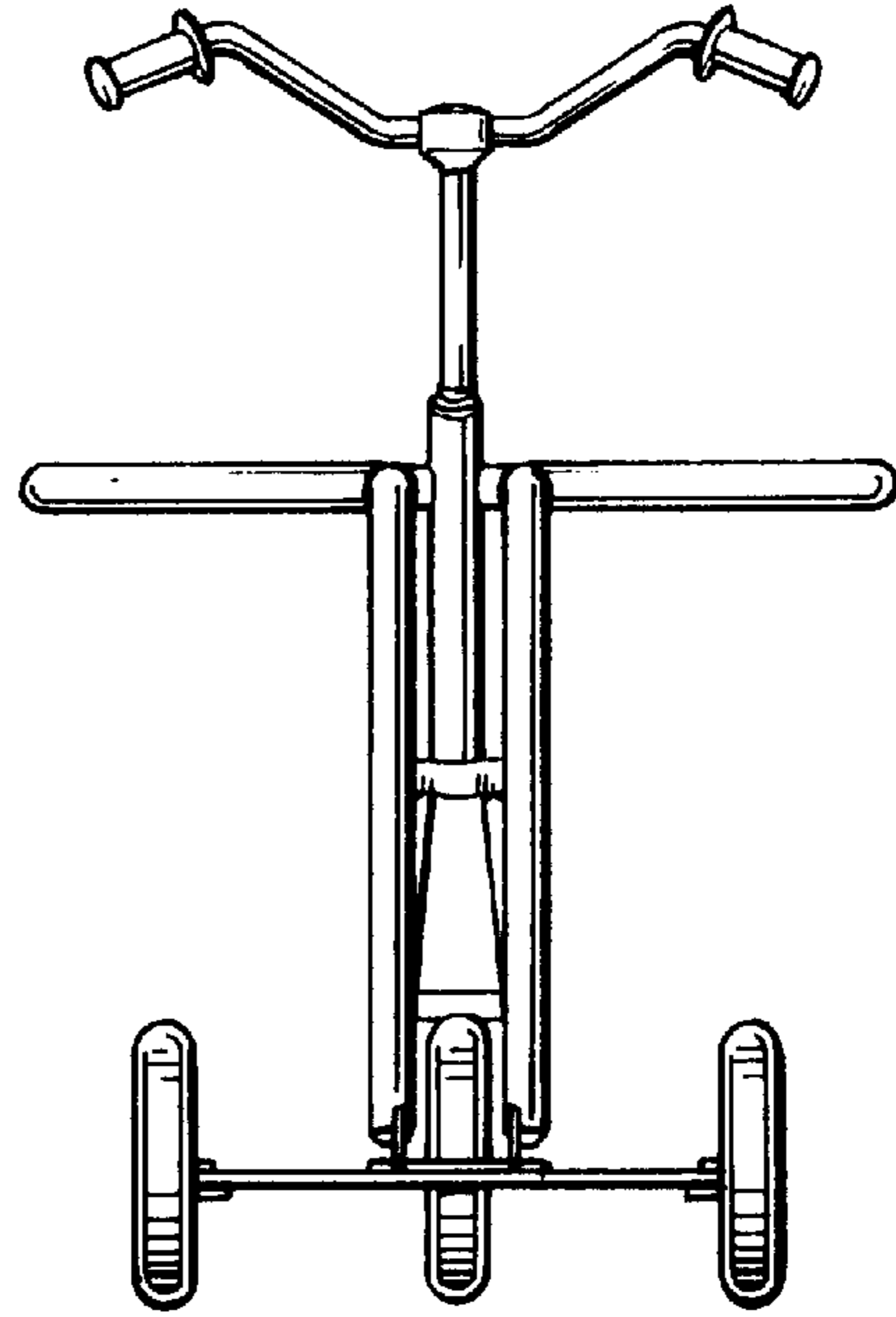


FIG. 3

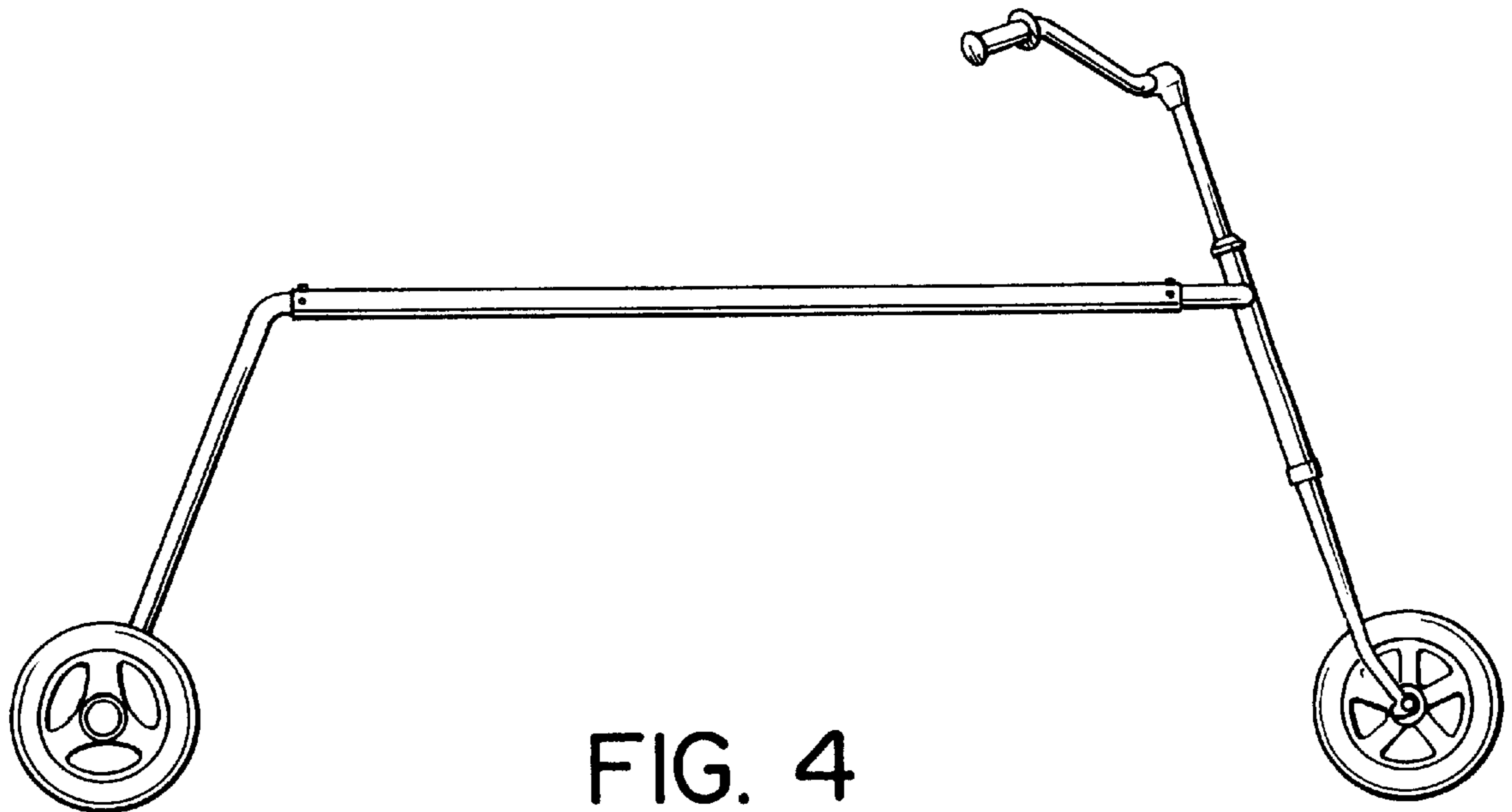


FIG. 4

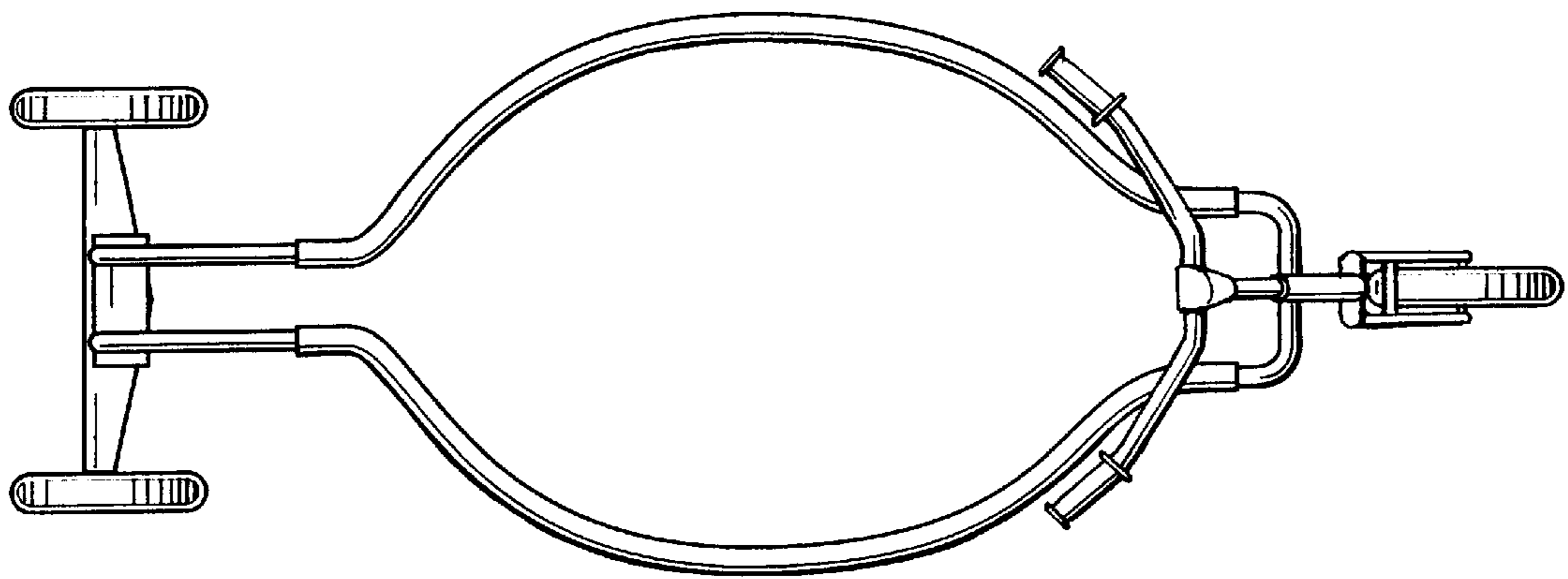


FIG. 5

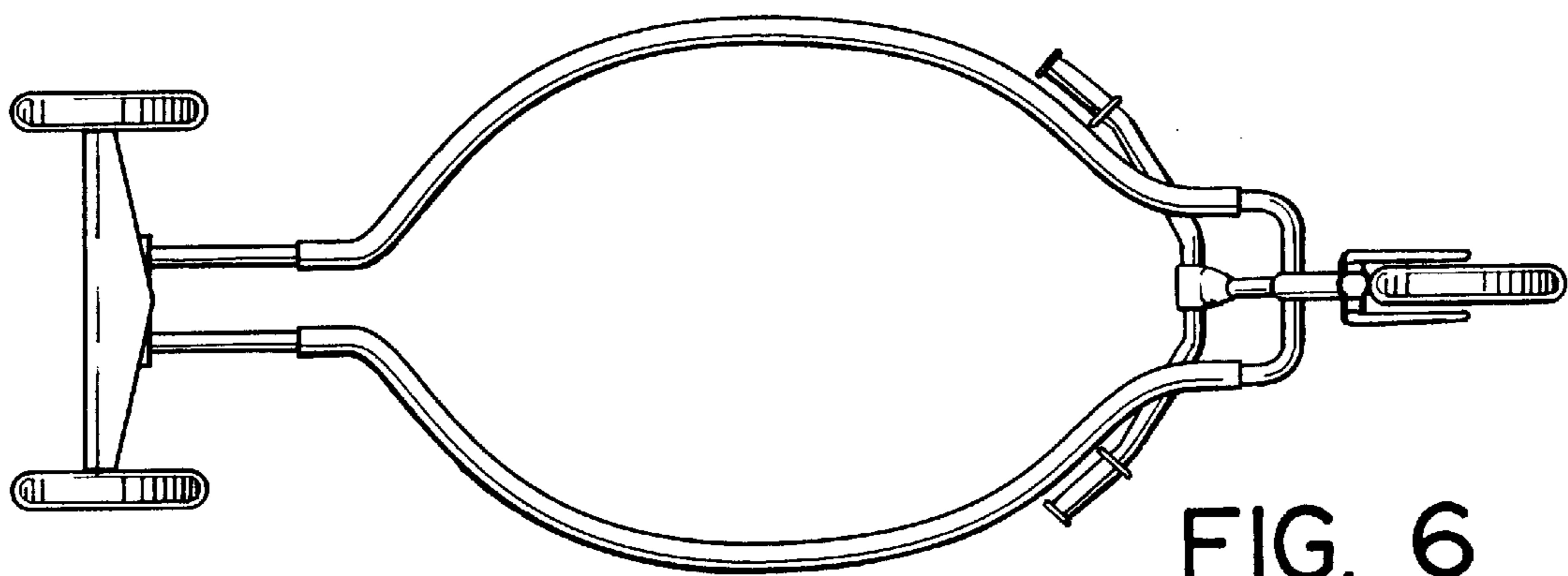


FIG. 6

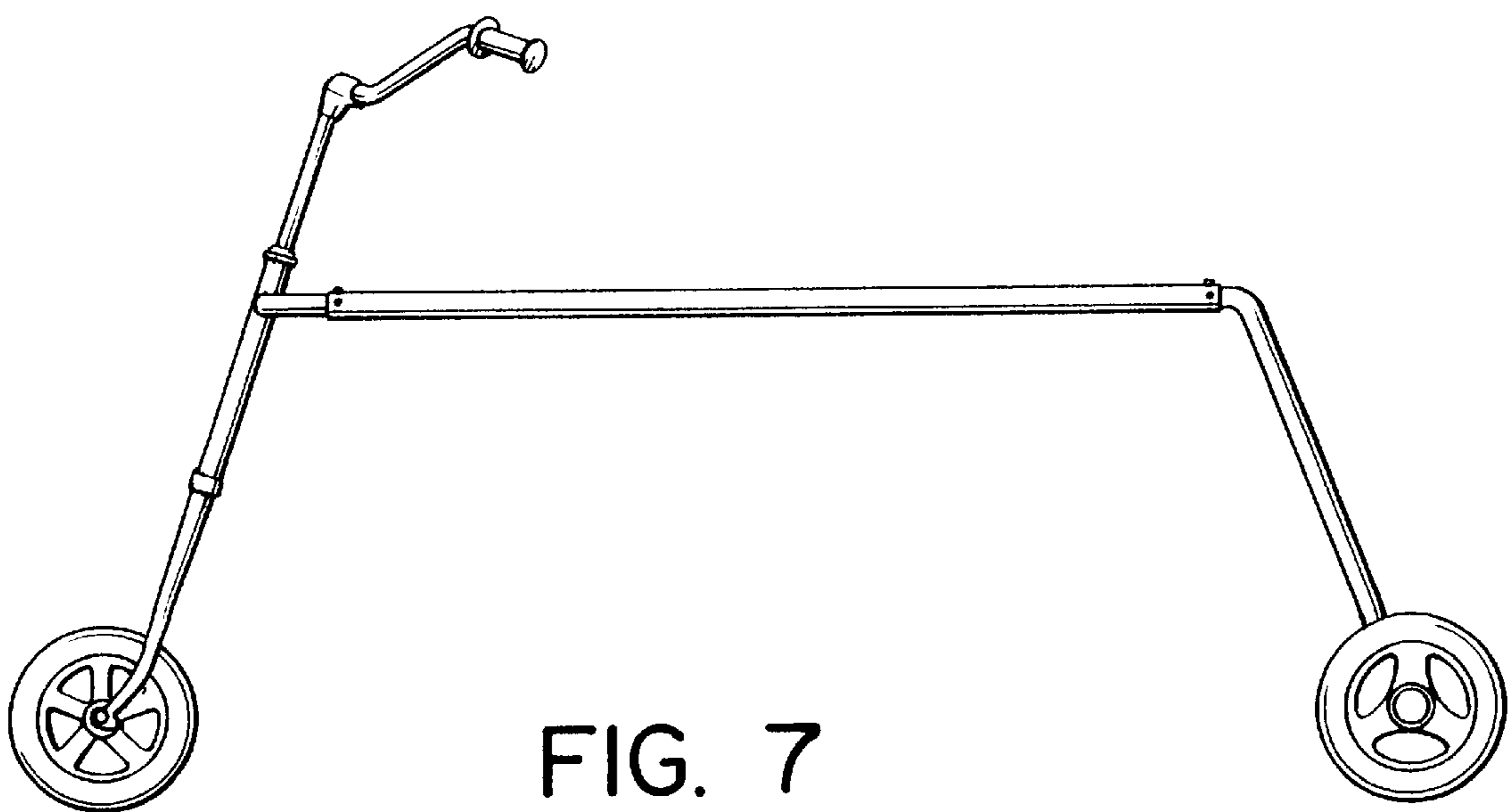


FIG. 7