

US00D432456S

United States Patent [19] Lafferty

[11] Patent Number: Des. 432,456

[45] Date of Patent: ** Oct. 24, 2000

[54] FLORAL SCREEN FOR TABLE TOP
FOUNTAIN

[76] Inventor: Pamela D. Lafferty, 5702 Madra Ave.,
San Diego, Calif. 92120

[**] Term: 14 Years

[21] Appl. No.: 29/112,742

[22] Filed: Oct. 22, 1999

[51] LOC (7) Cl. 11-02

[52] U.S. Cl. D11/152

[58] Field of Search D11/143, 144,
D11/152, 154; 47/41.01, 41.13, 65.6, 78;
206/423; 215/228; 220/521, 801; 248/423

[56] **References Cited**

U.S. PATENT DOCUMENTS

D. 49,384	7/1916	Bennett	47/41.13
D. 73,411	9/1927	Magee	D11/153
D. 84,793	8/1931	Schling	D11/144
1,357,732	11/1920	Schimmel	47/41.13
1,775,250	9/1930	Link	47/41.13
1,973,868	9/1934	Field	47/41.13

1,989,952	2/1935	Thomas	47/41.13
2,686,989	8/1954	Dilton et al.	47/41.13
2,876,587	3/1959	Saks et al.	D11/144
5,225,342	7/1993	Farrell	47/41.13
5,244,700	9/1993	Banschick	47/41.13
5,477,637	12/1995	Aldrich	47/41.13

Primary Examiner—Doris V. Coles
Assistant Examiner—Mimosa De
Attorney, Agent, or Firm—Nydegger & Associates

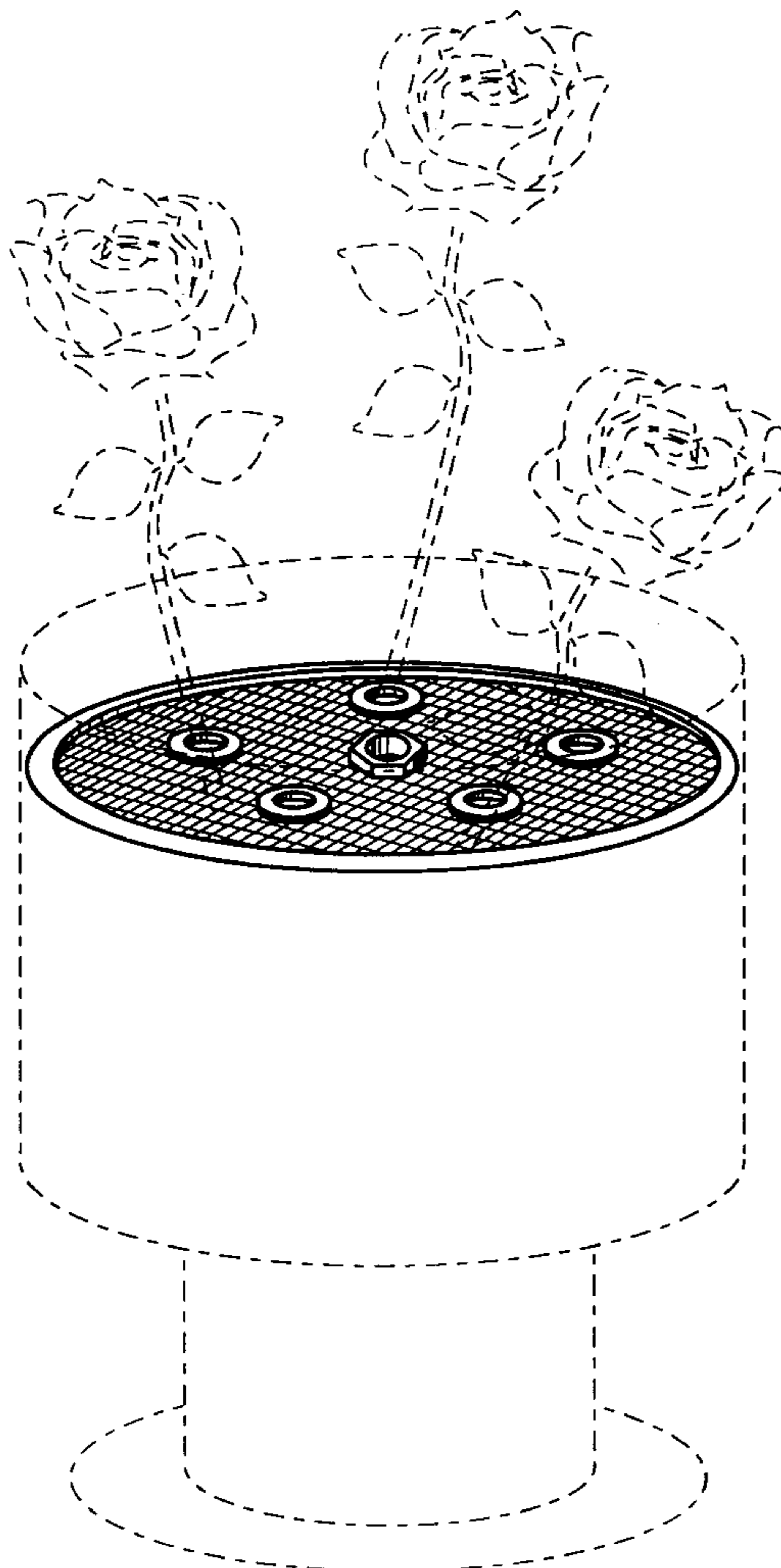
[57] **CLAIM**

The ornamental design for a floral screen for table top fountain, as shown and described.

DESCRIPTION

FIG. 1 is a perspective view of the floral screen for table top fountain of the present invention with a table top fountain and a floral display shown in broken line for illustrative purposes only and forms no part of the claimed design; FIG. 2 is a top plan view thereof; FIG. 3 is a bottom plan view thereof; FIG. 4 is a right side view thereof; and, FIG. 5 is a left side view thereof.

1 Claim, 2 Drawing Sheets



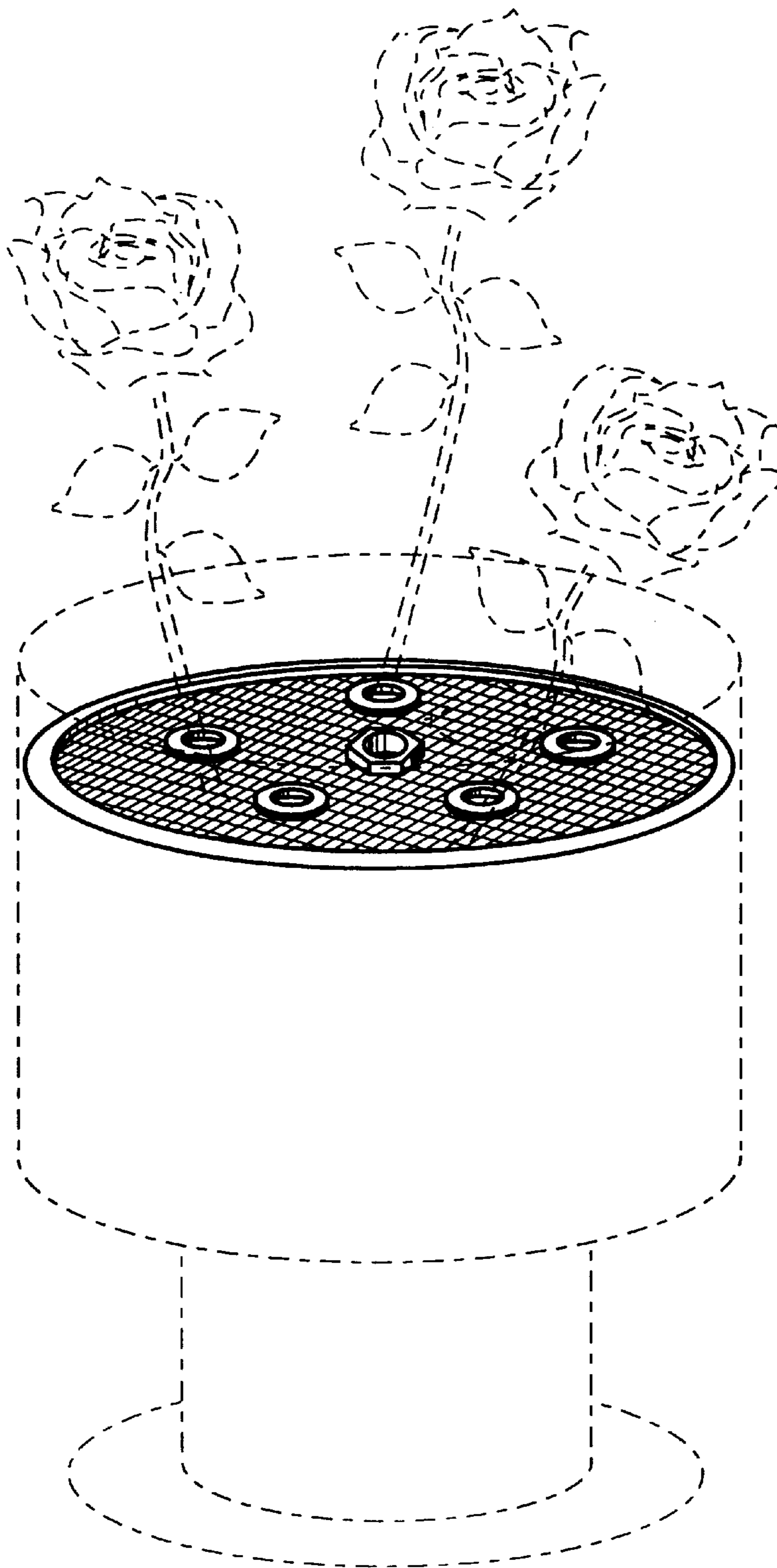


Figure 1



Figure 4

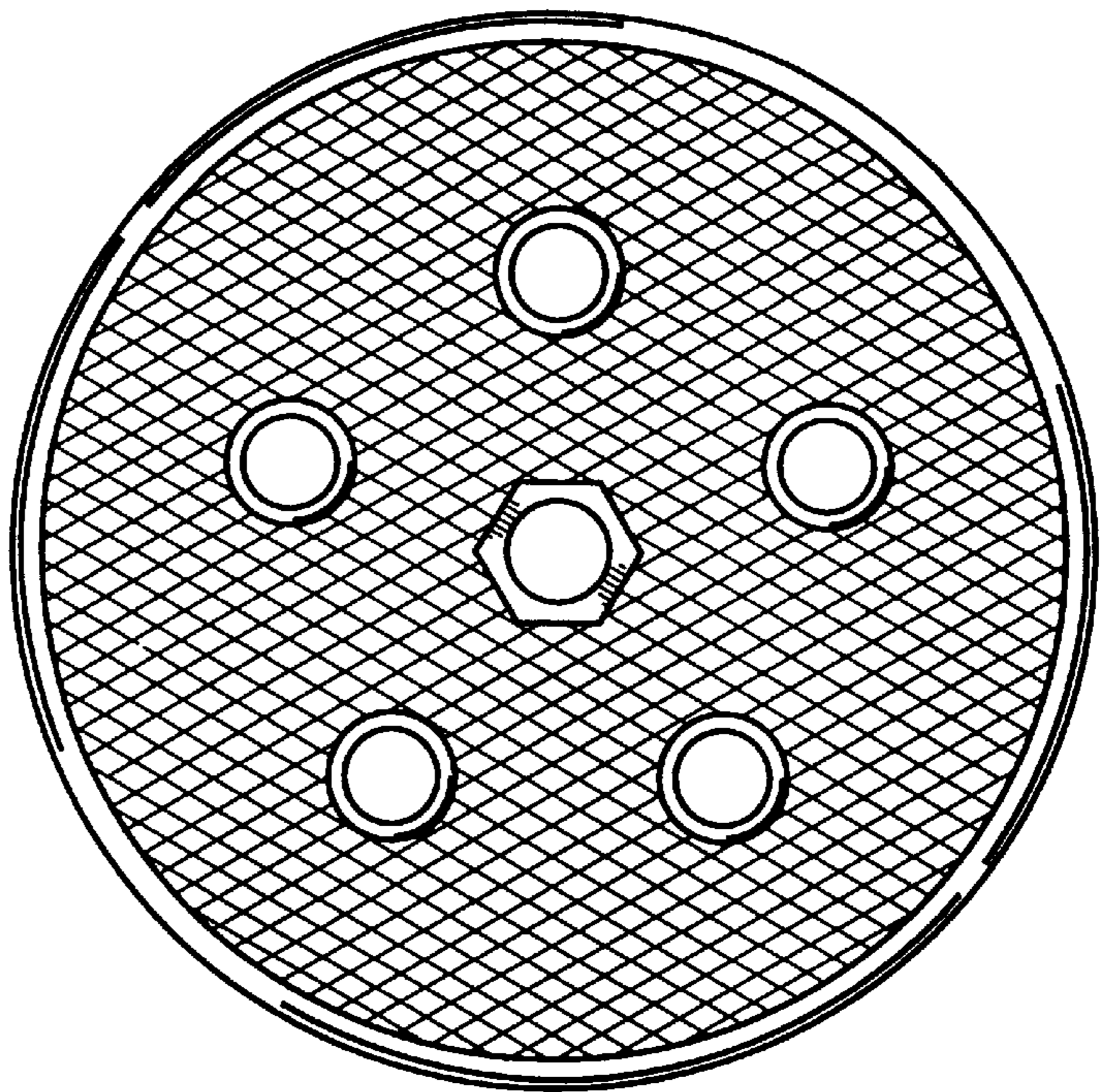


Figure 2

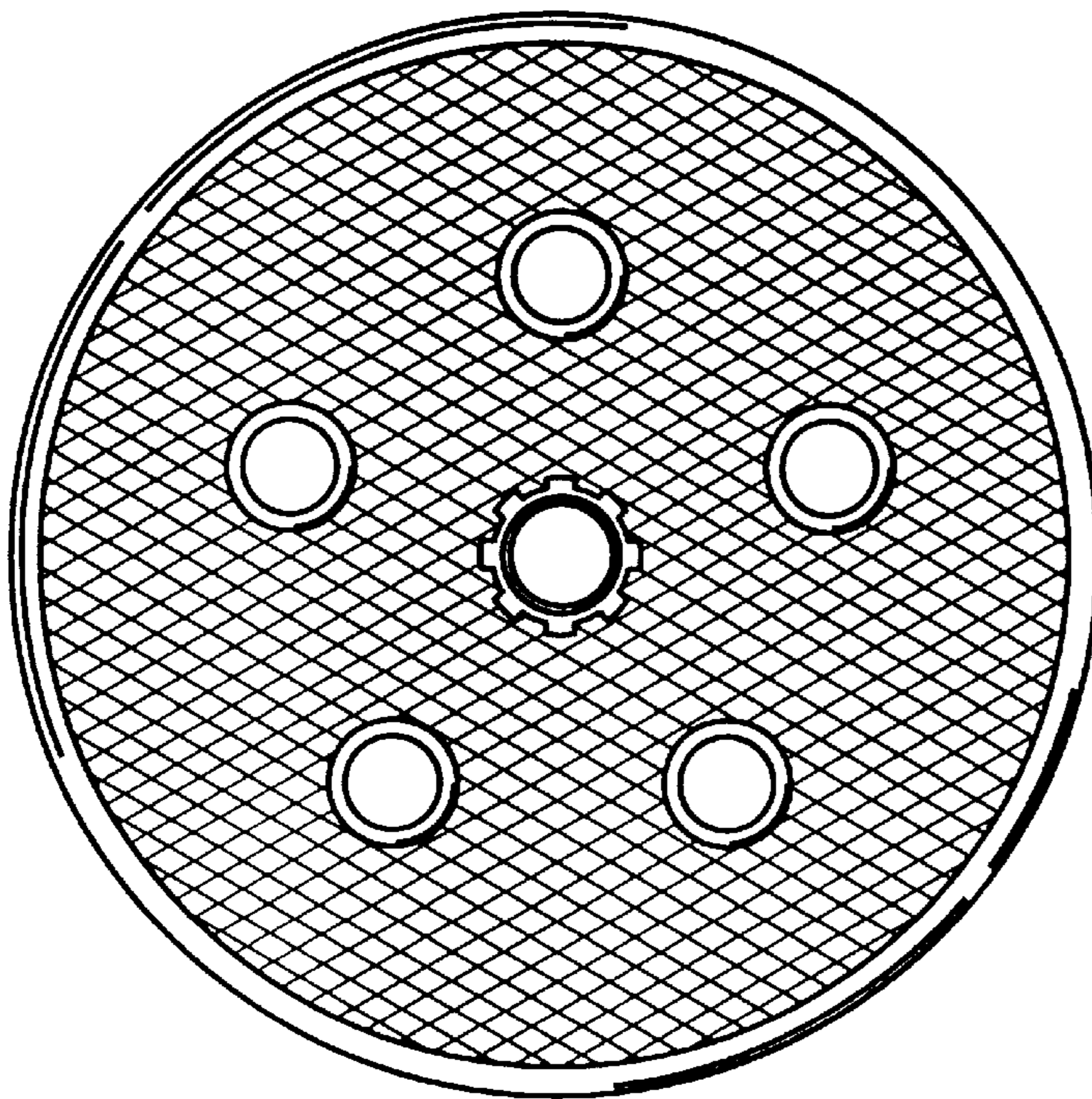


Figure 3



Figure 5