



US00D432448S

United States Patent [19] Lai

[11] Patent Number: Des. 432,448

[45] Date of Patent: ** Oct. 24, 2000

[54] **JEWELRY SETTING**

[75] Inventor: **Danny S. Lai**, New York, N.Y.

[73] Assignee: **Gramercy Jewelry Manufacturing Corp.**, New York, N.Y.

[**] Term: **14 Years**

[21] Appl. No.: **29/109,453**

[22] Filed: **Aug. 13, 1999**

[51] **LOC (7) Cl.** **11-01**

[52] **U.S. Cl.** **D11/92**

[58] **Field of Search** D11/1, 2, 90-92,
D11/34, 40, 89, 26, 27, 30, 33, 7, 8; 63/5,
26, 27, 28, 29.1

[56] **References Cited**

U.S. PATENT DOCUMENTS

D. 33,769 12/1900 Hartmann D11/90
D. 65,193 7/1924 Leveridge D11/90
D. 68,640 11/1925 Robbins D11/34

(List continued on next page.)

OTHER PUBLICATIONS

Rio Grande Albuquerque 1991-1992 Catalog, Finding & Chains Item upper right of p. 51.

Primary Examiner—Ralf Seifert
Attorney, Agent, or Firm—Baker Botts, L.L.P.

[57] **CLAIM**

The ornamental design for a jewelry setting, as shown and described.

DESCRIPTION

FIG. 1 is a perspective view of a first embodiment of a jewelry setting;

FIG. 2 is a top view of the jewelry setting of FIG. 1;

FIG. 3 is a perspective view of the jewelry setting of FIG. 1 in a pendent;

FIG. 4 is a top view of the jewelry setting in the pendent of FIG. 3;

FIG. 5 is a perspective view of a second embodiment of the jewelry setting in a pendent;

FIG. 6 is a top view of the jewelry setting of FIG. 5;

FIG. 7 is a perspective view of the first embodiment of the jewelry setting in an earring;

FIG. 8 is a perspective view of the second embodiment of the jewelry setting in an earring;

FIG. 9 is a top view of the second embodiment of the jewelry setting in a ring;

FIG. 10 is a perspective view of the jewelry setting of FIG. 9;

FIG. 11 is a perspective view of a third embodiment of the jewelry setting;

FIG. 12 is a top view of the jewelry setting of FIG. 11;

FIG. 13 is a perspective view of the jewelry setting of FIG. 11 in a pendent;

FIG. 14 is a top view of the jewelry setting in the pendent of FIG. 13;

FIG. 15 is a perspective view of a fourth embodiment of the jewelry setting in a pendent;

FIG. 16 is a top view of the jewelry setting of FIG. 15;

FIG. 17 is a perspective view of the third embodiment of the jewelry setting in an earring;

FIG. 18 is a perspective view of the fourth embodiment of the jewelry setting in an earring;

FIG. 19 is a perspective view of a fifth embodiment of the jewelry setting;

FIG. 20 is a top view of the jewelry setting of FIG. 19;

FIG. 21 is a perspective view of the jewelry setting of FIG. 19 in a pendent;

FIG. 22 is a top view of the jewelry setting in the pendent of FIG. 21;

FIG. 23 is a perspective view of a sixth embodiment of the jewelry setting in a pendent;

FIG. 24 is a top view of the jewelry setting of FIG. 23;

FIG. 25 is a perspective view of the fifth embodiment of the jewelry setting in an earring;

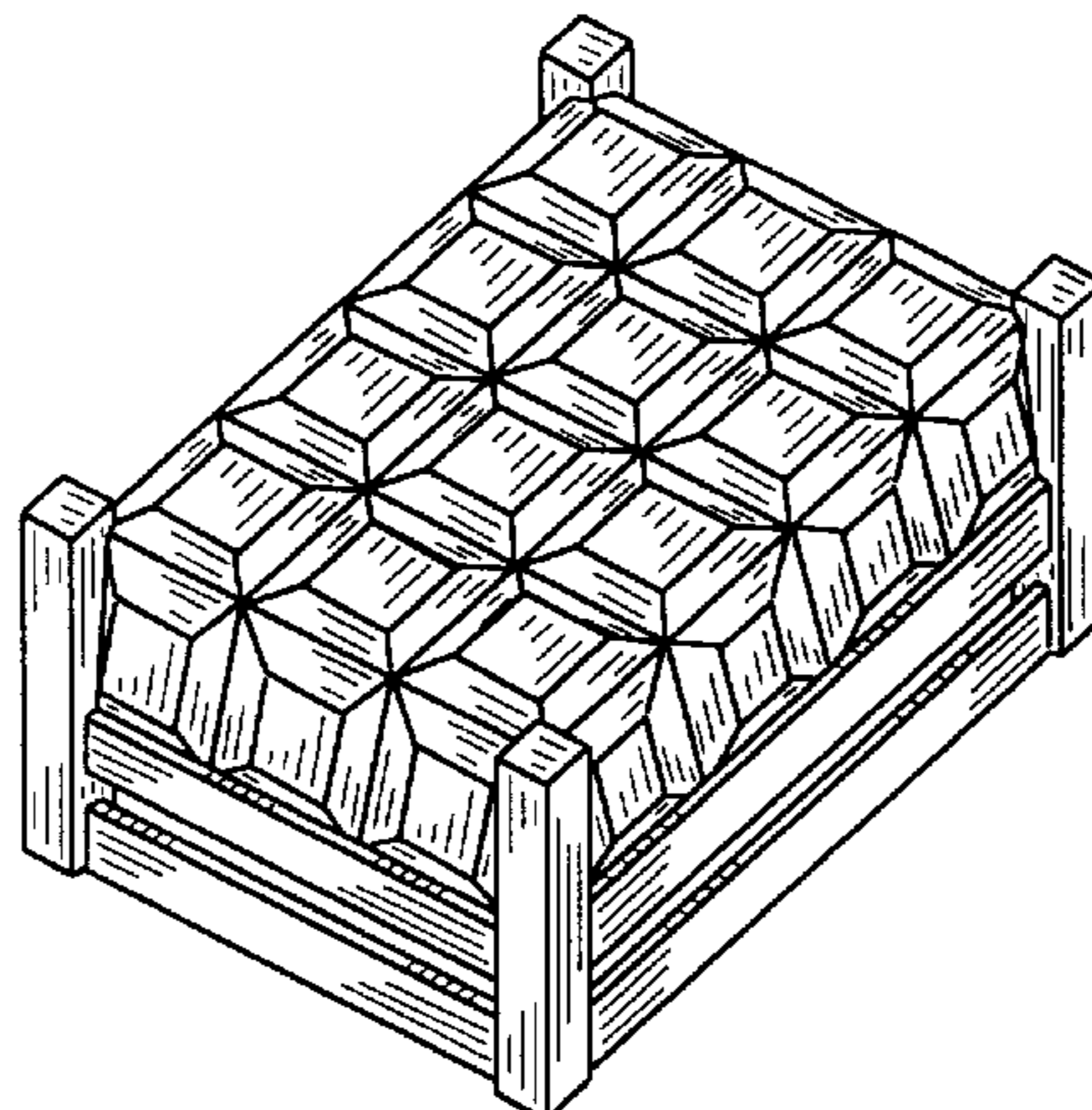
FIG. 26 is a perspective view of the sixth embodiment of the jewelry setting in an earring;

FIG. 27 is a top view of the sixth embodiment of the jewelry setting in a ring; and,

FIG. 28 is a perspective view of the jewelry setting of FIG. 27.

The broken lines are provided for illustrative purposes only, and form no part of the claimed design.

1 Claim, 8 Drawing Sheets



Des. 432,448

Page 2

U.S. PATENT DOCUMENTS

D. 80,898	4/1930	Kaufman	D11/92	D. 275,660	9/1984	Carroll	D11/86
D. 273,666	5/1984	Hayashi	D11/1	D. 403,611	1/1999	Lai	D11/92
				D. 411,134	6/1999	Lai	D11/92
				5,671,613	9/1997	Hoover et al.	63/27

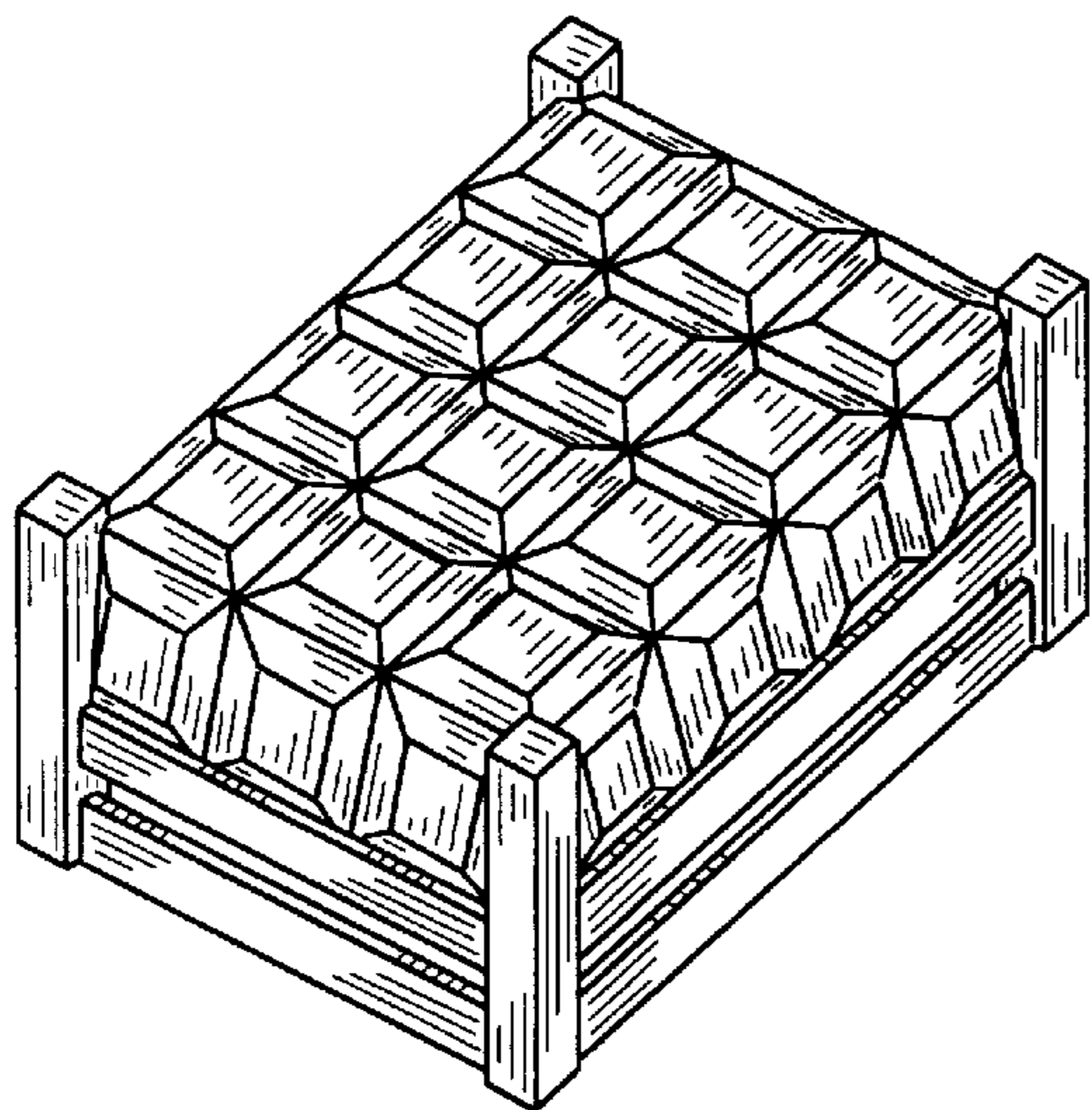


FIG. 1

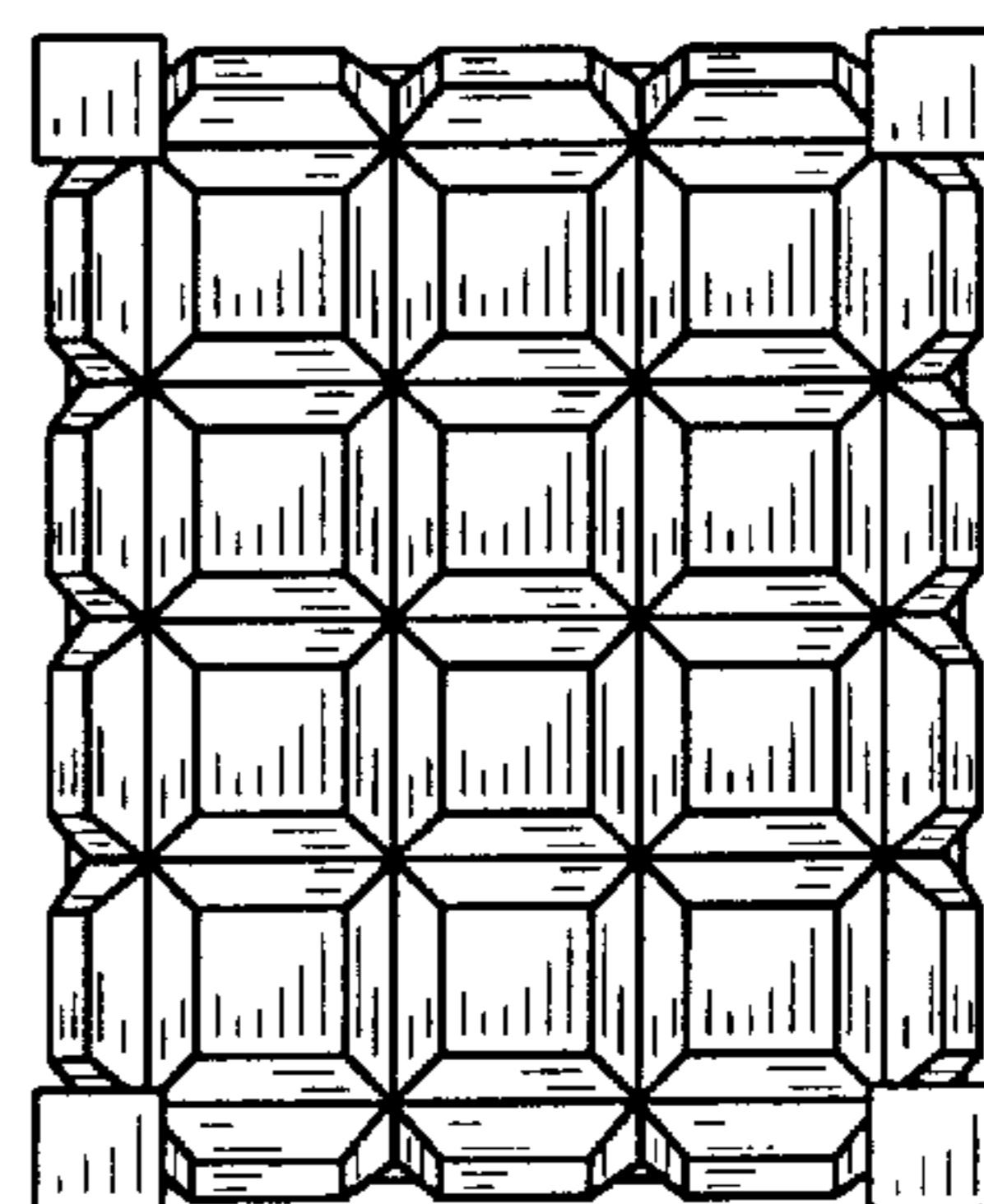


FIG. 2

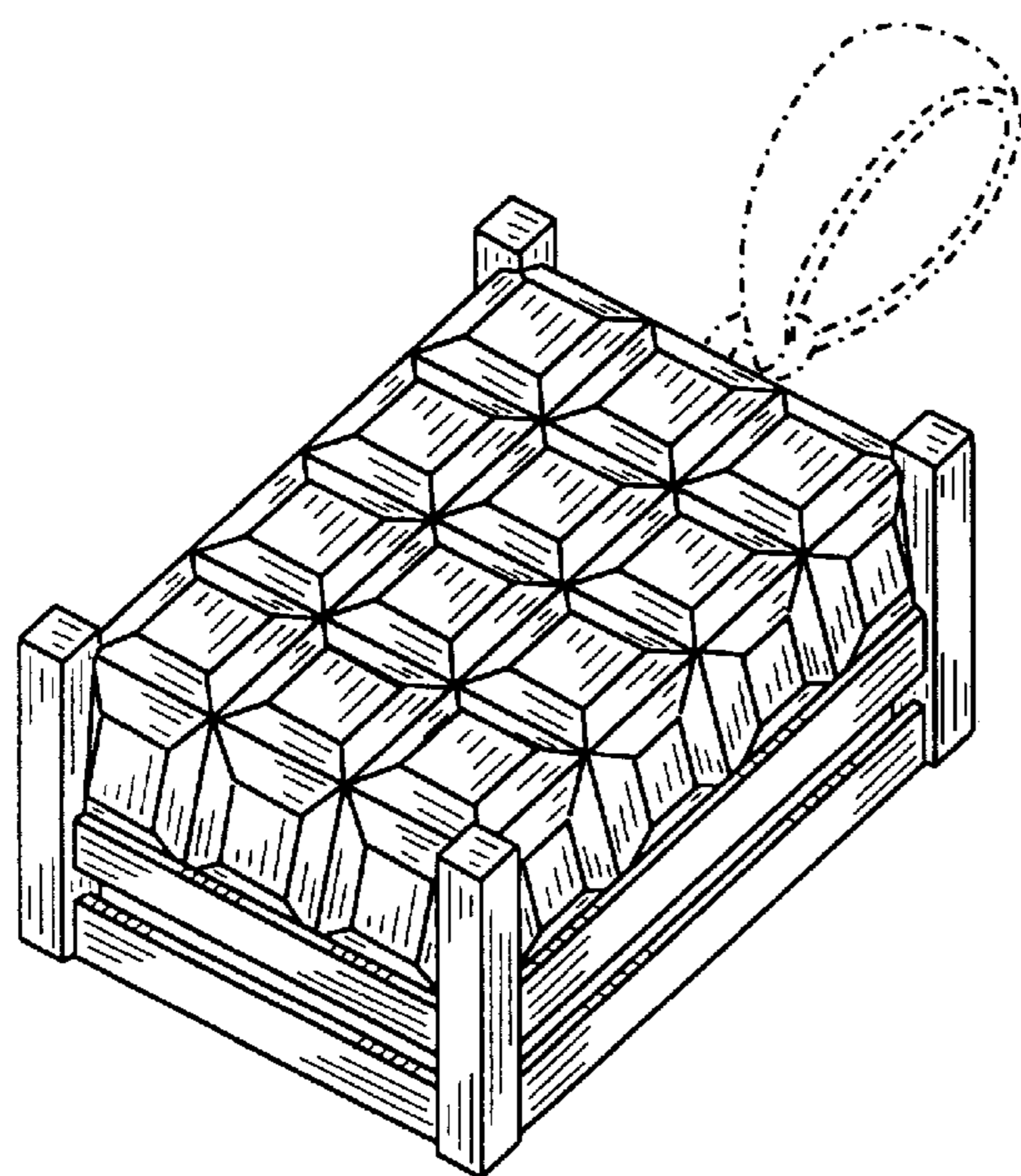


FIG. 3

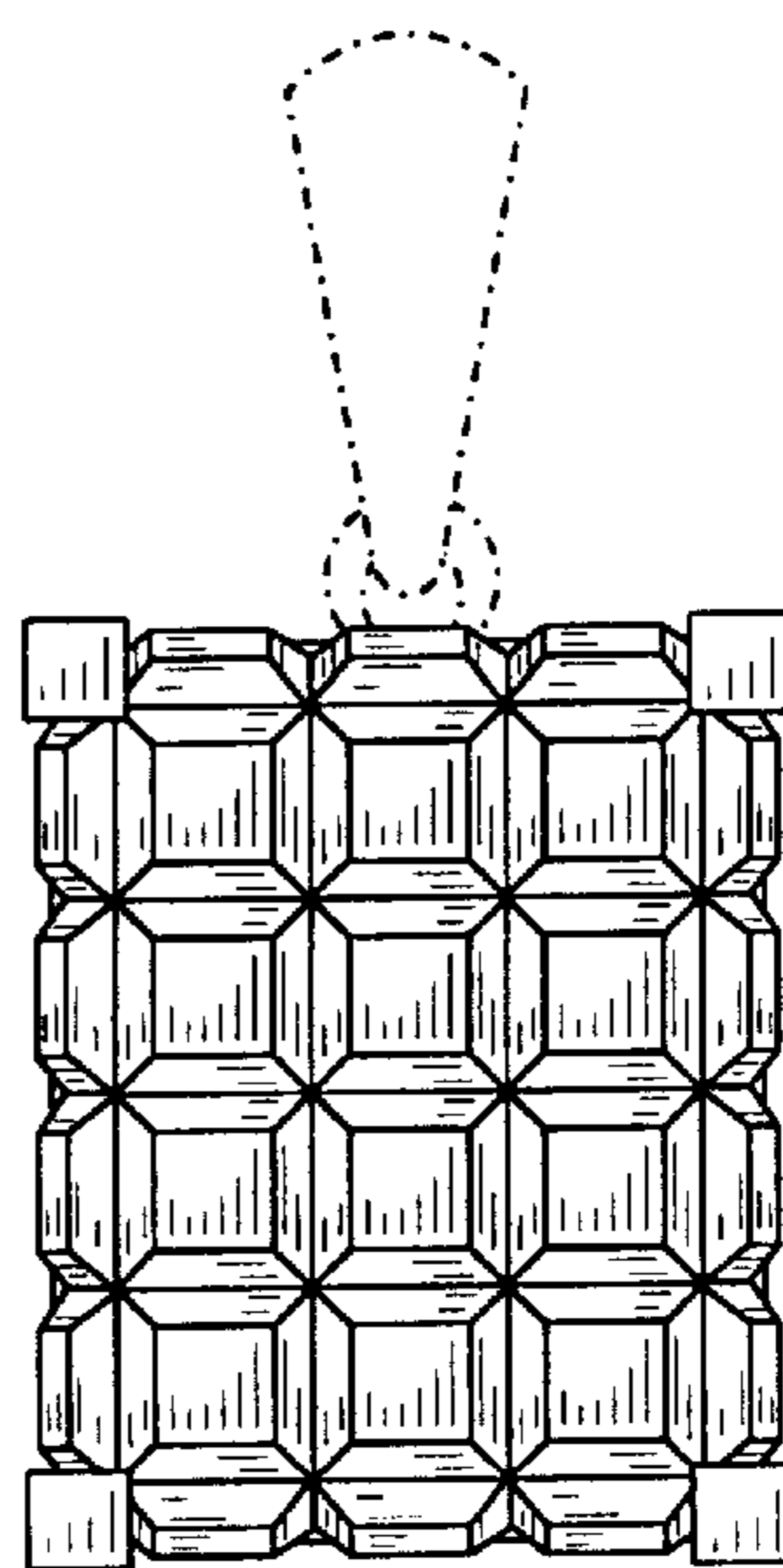


FIG. 4

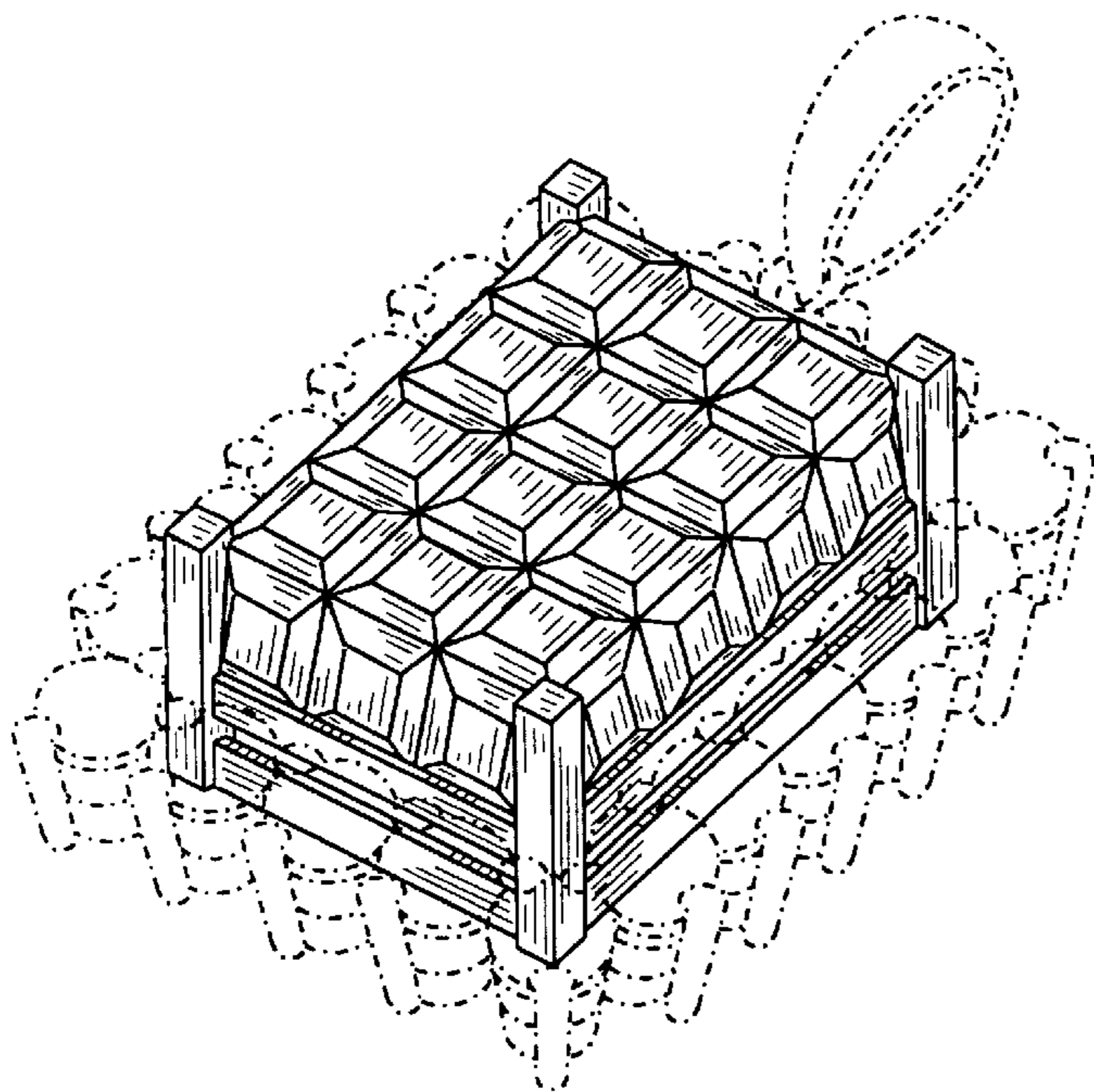


FIG. 5

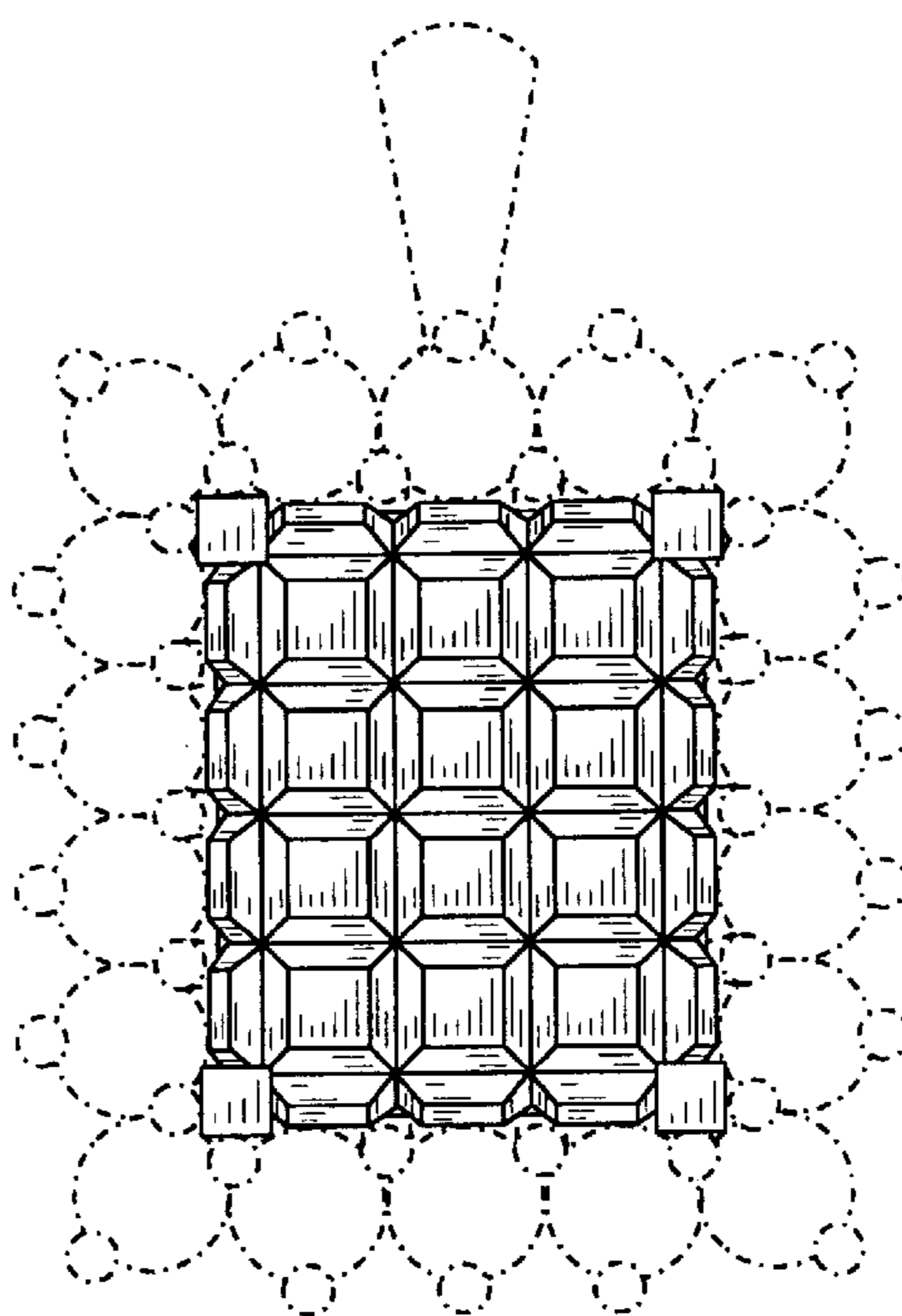


FIG. 6

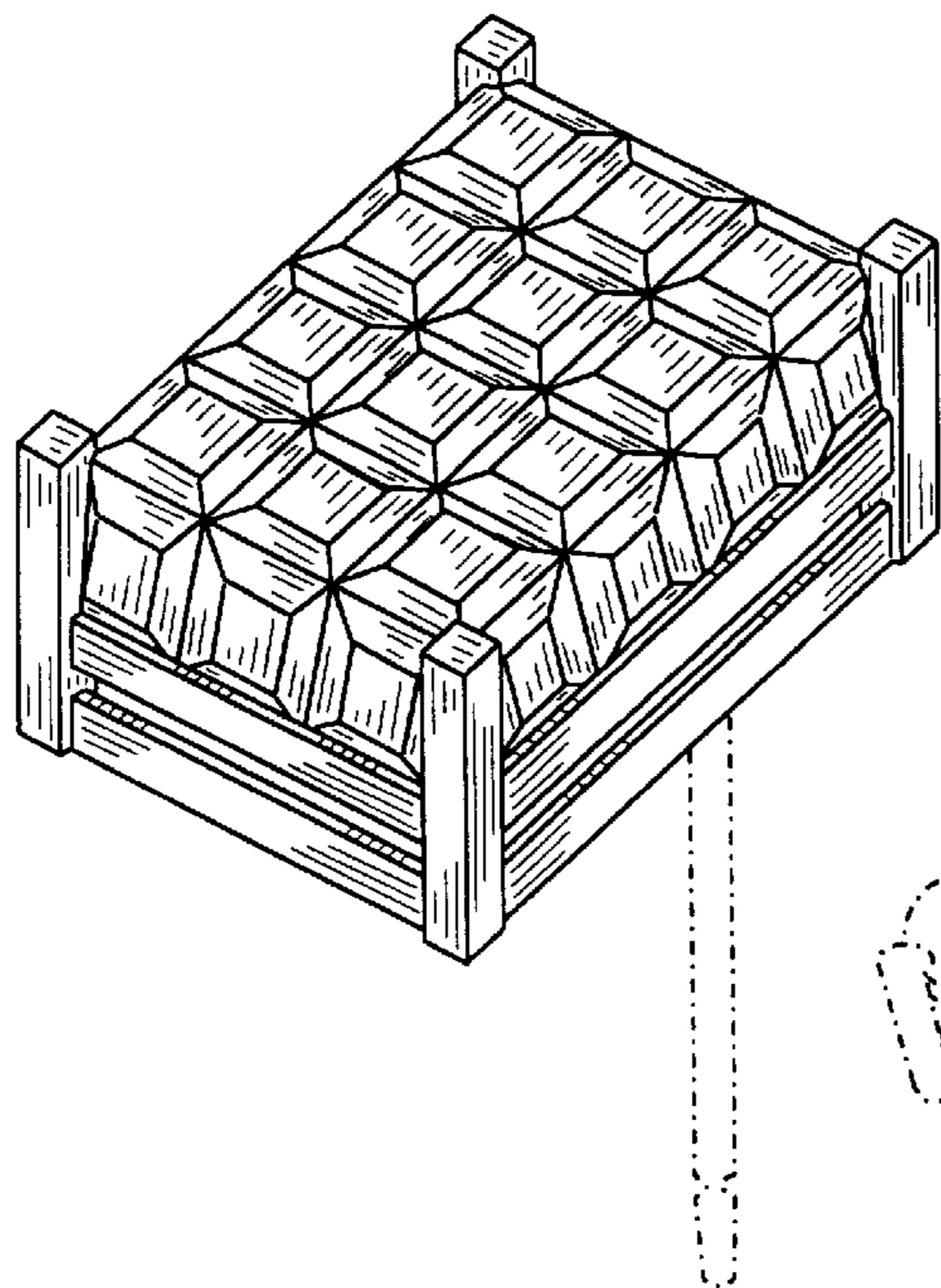


FIG. 7

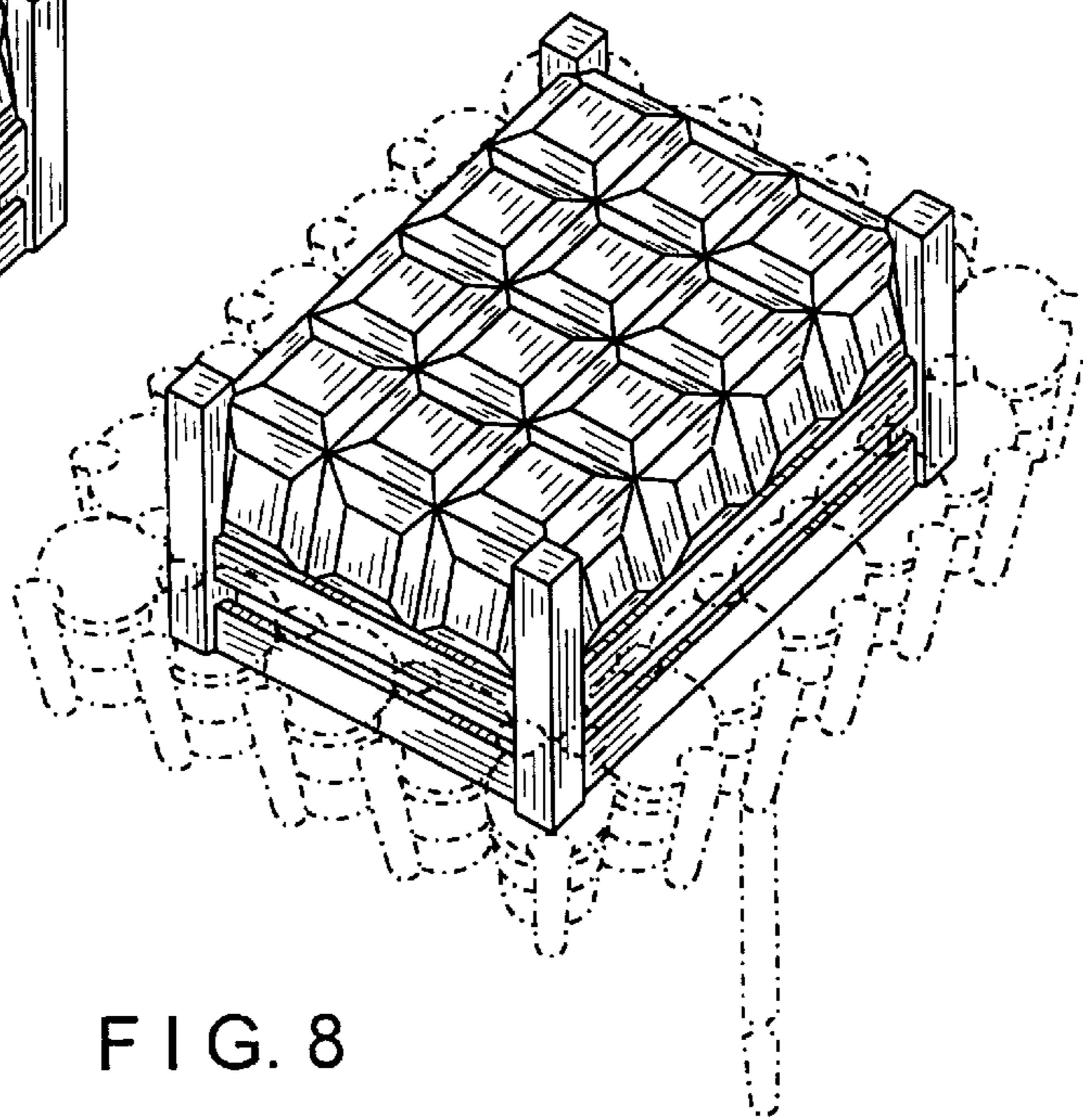


FIG. 8

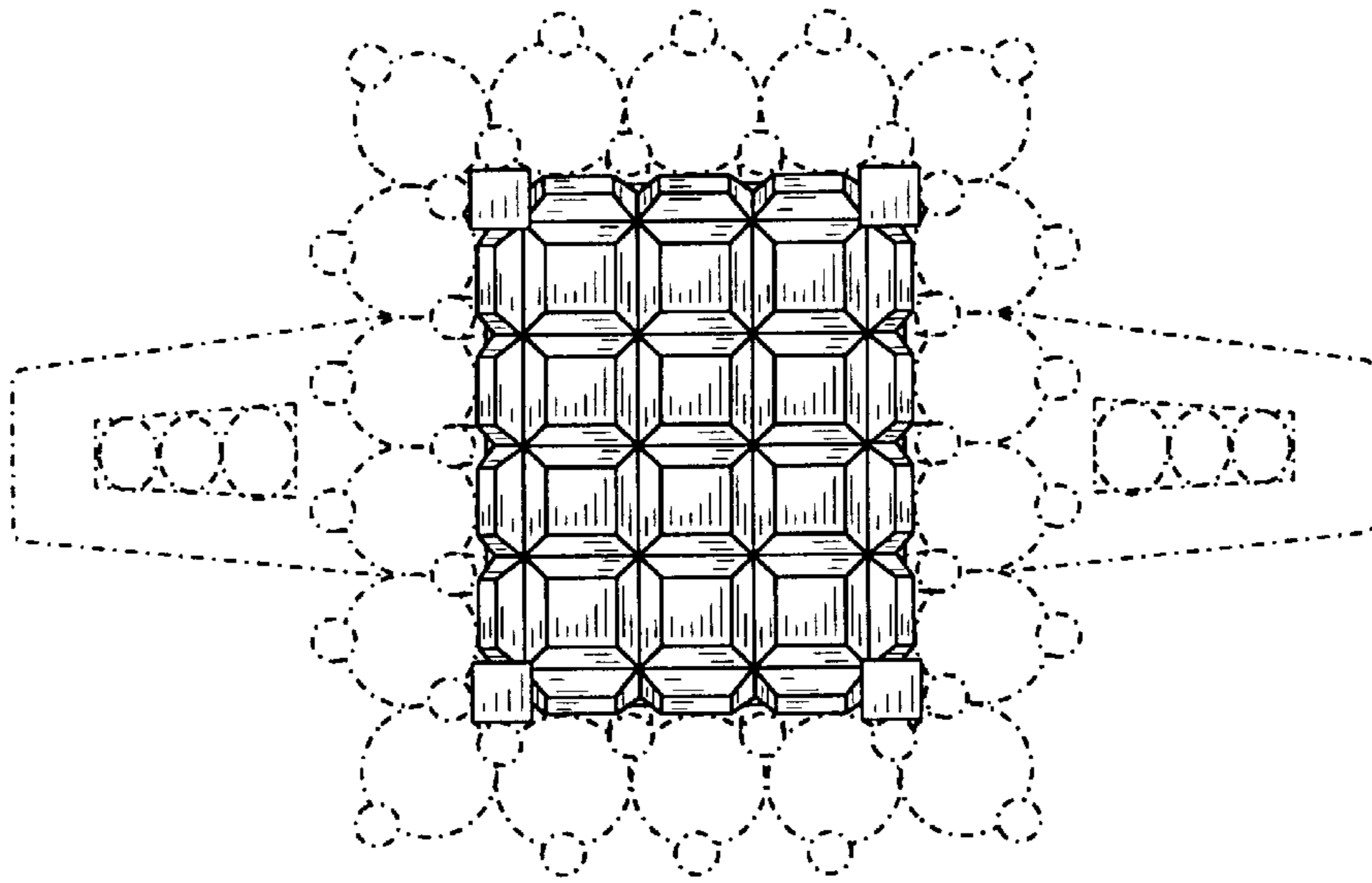


FIG. 9

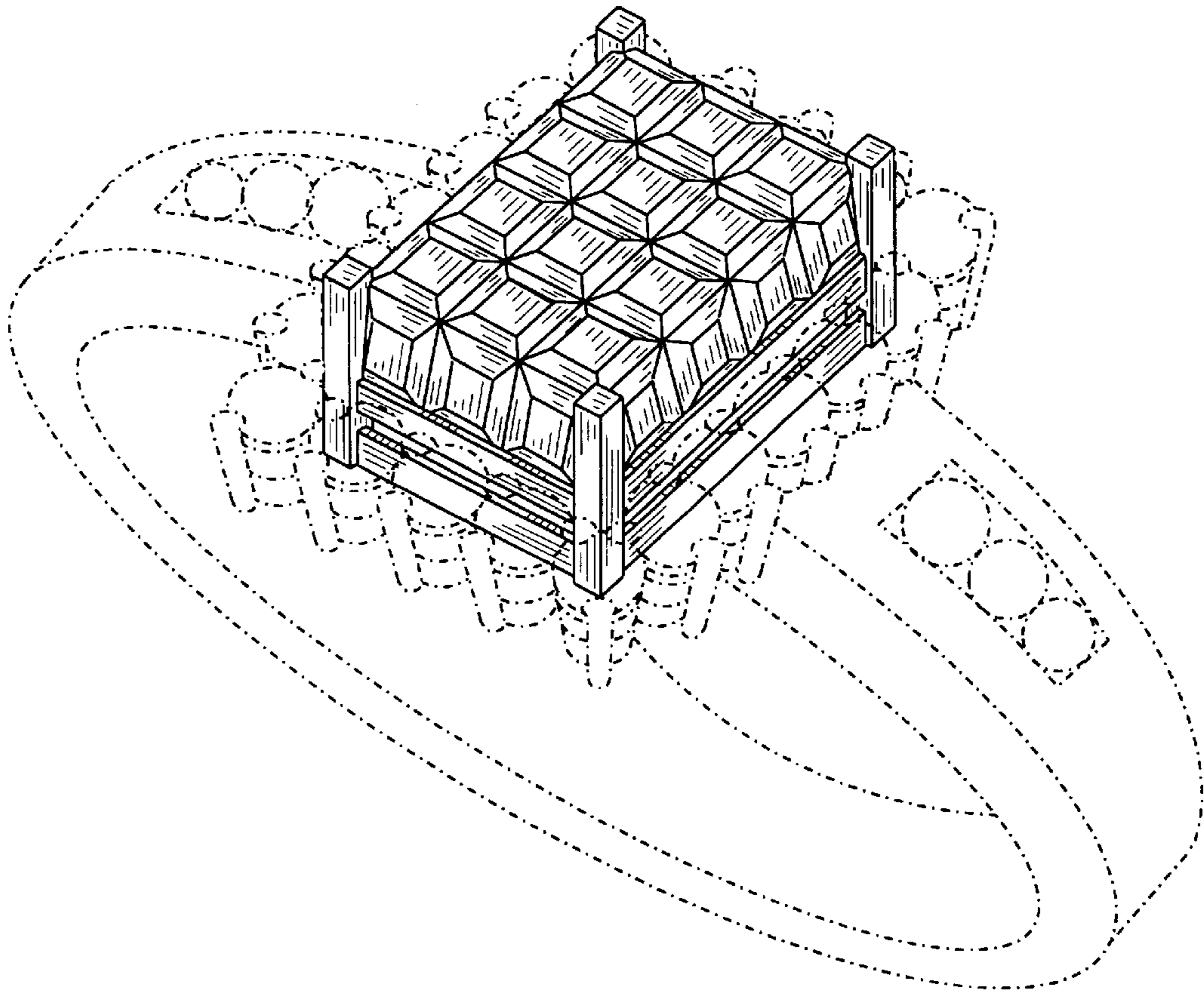


FIG. 10

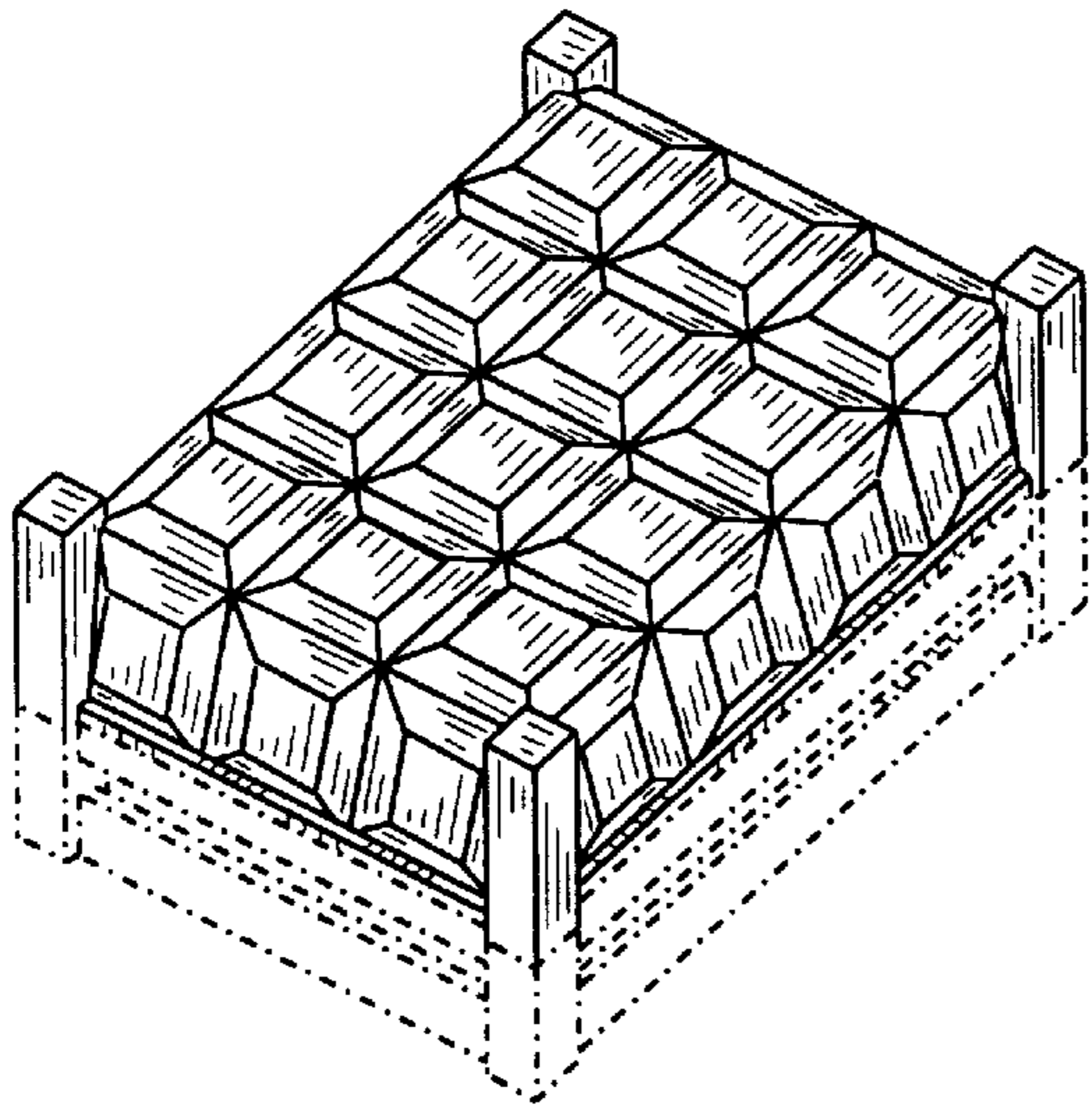


FIG. 11

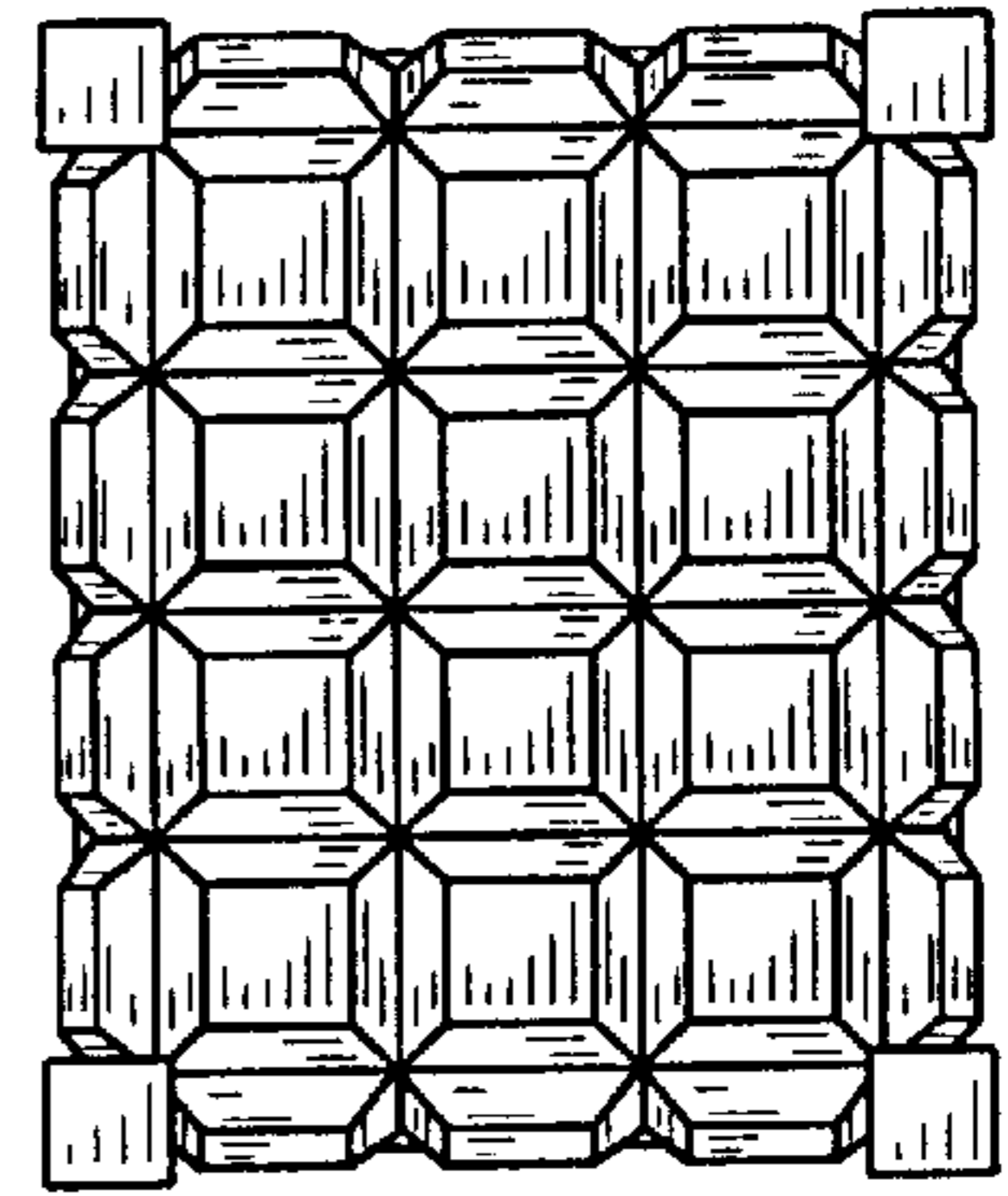


FIG. 12

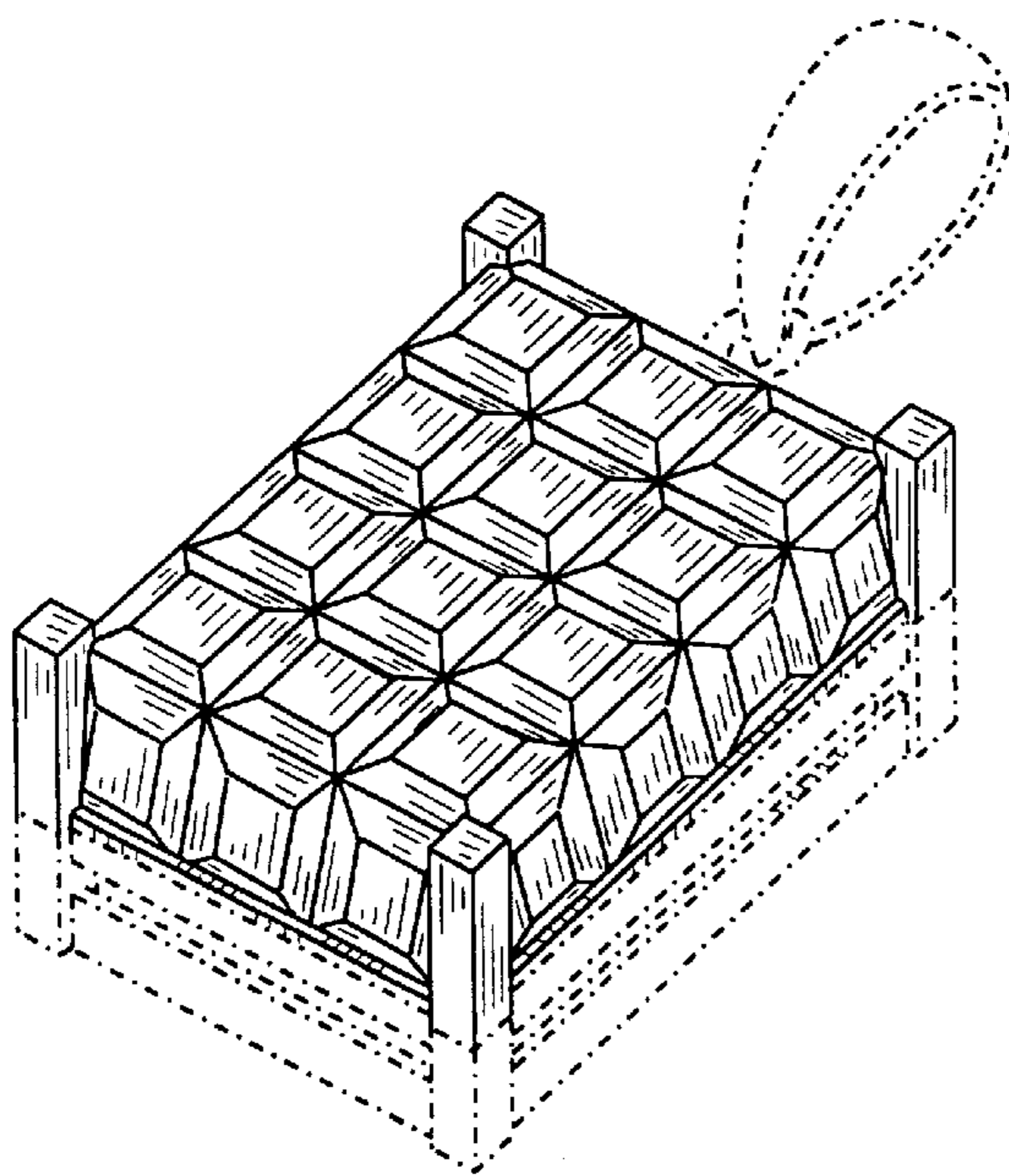


FIG. 13

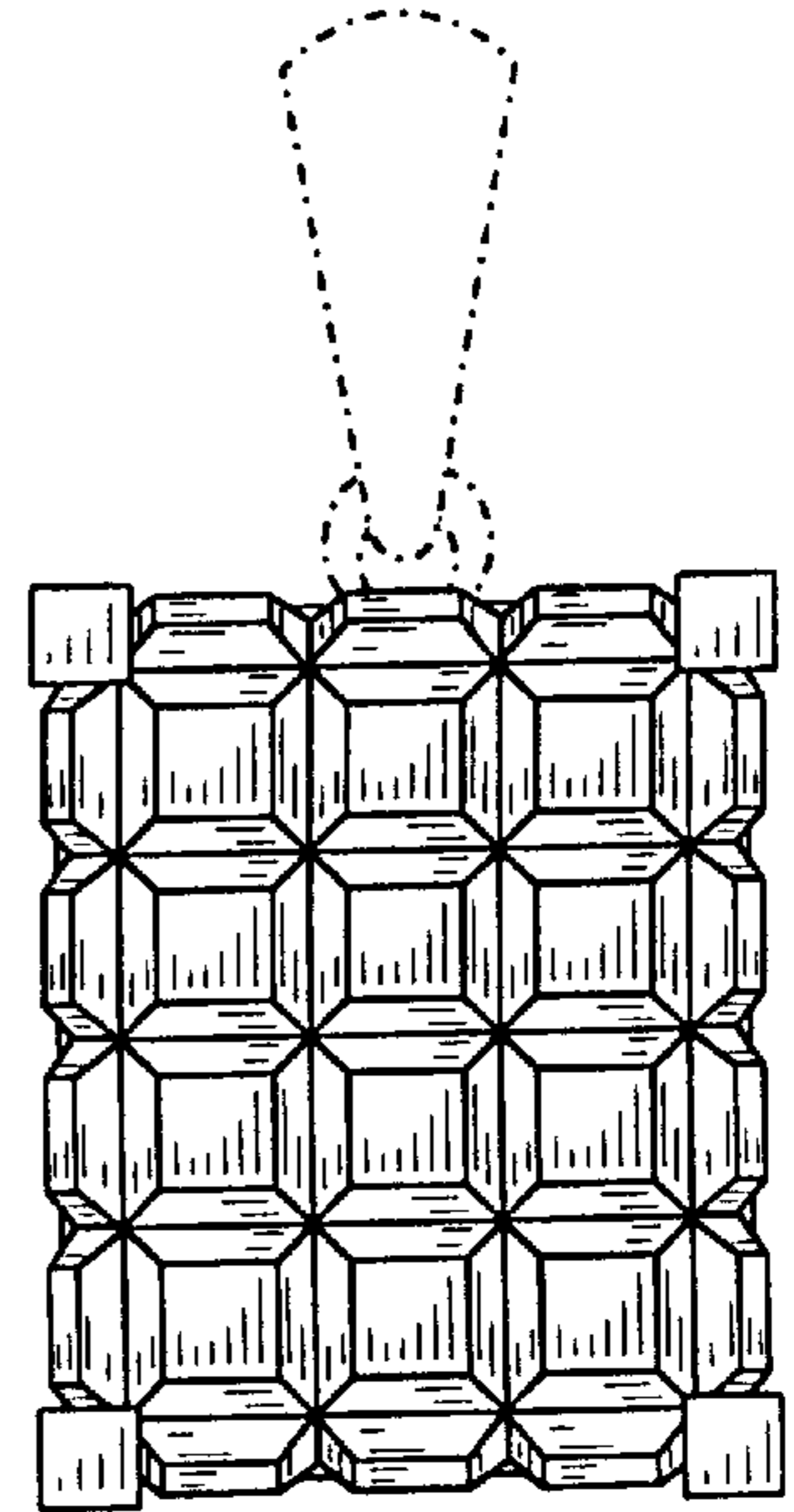


FIG. 14

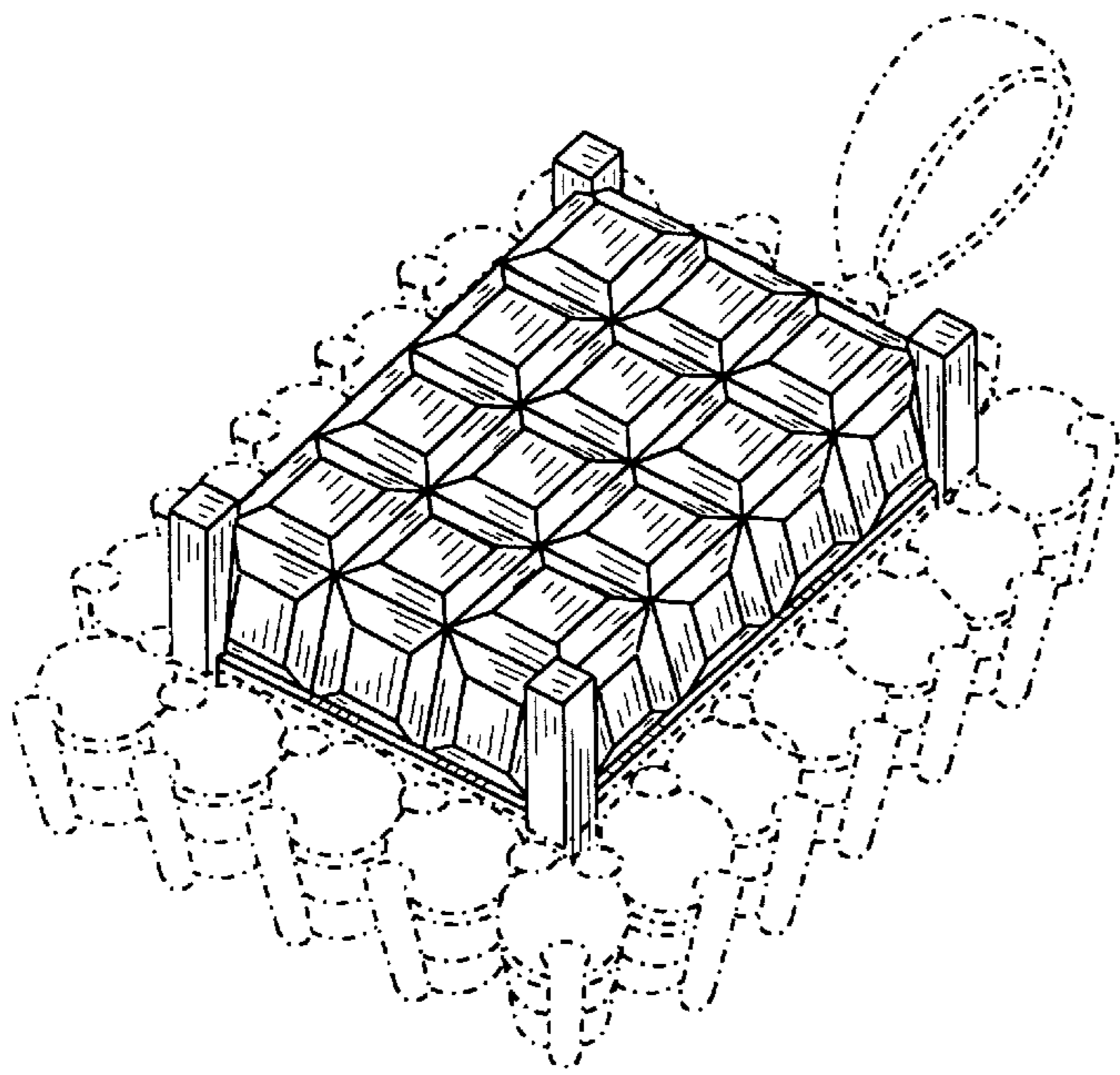


FIG. 15

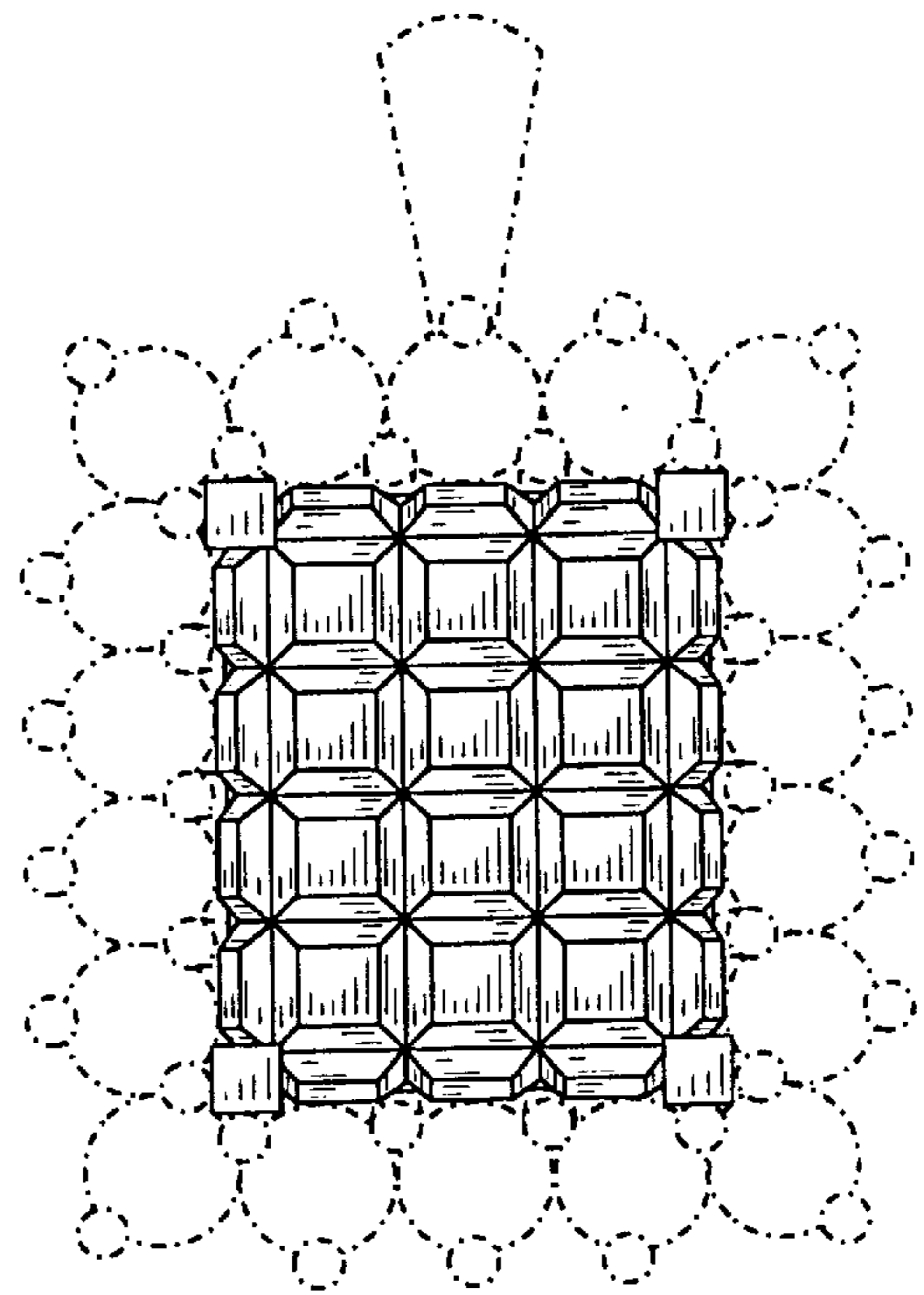


FIG. 16

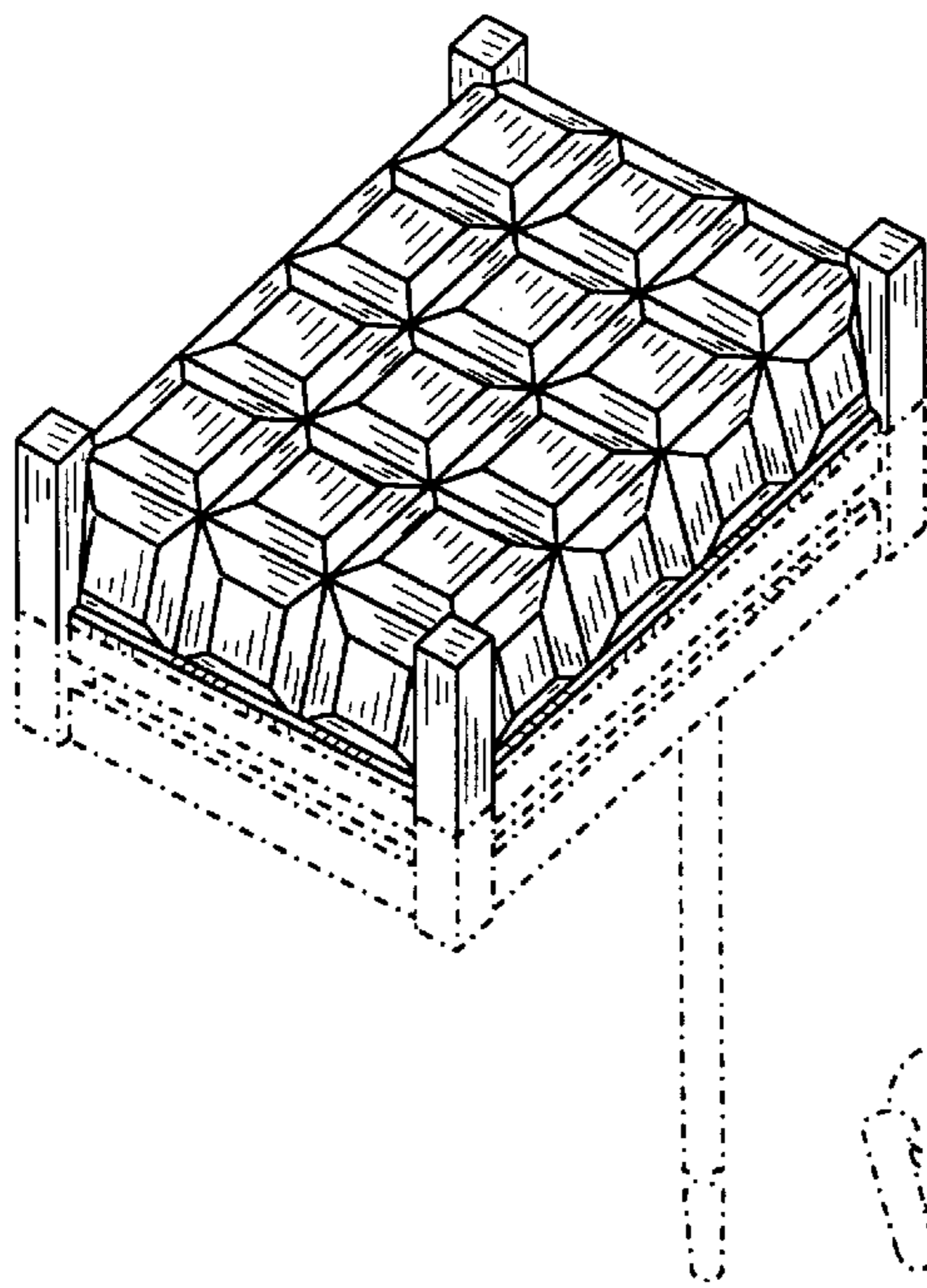


FIG. 17

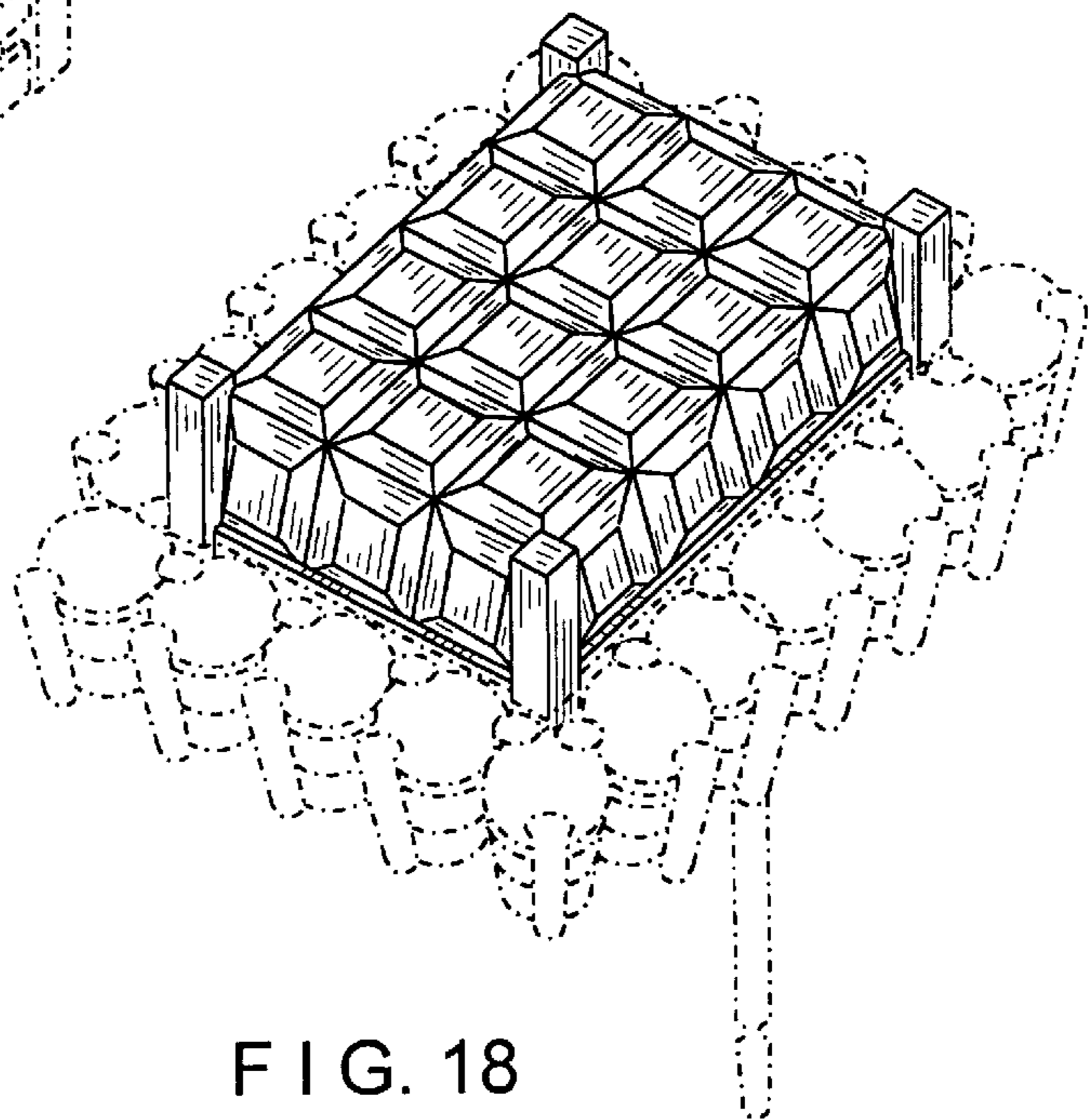


FIG. 18

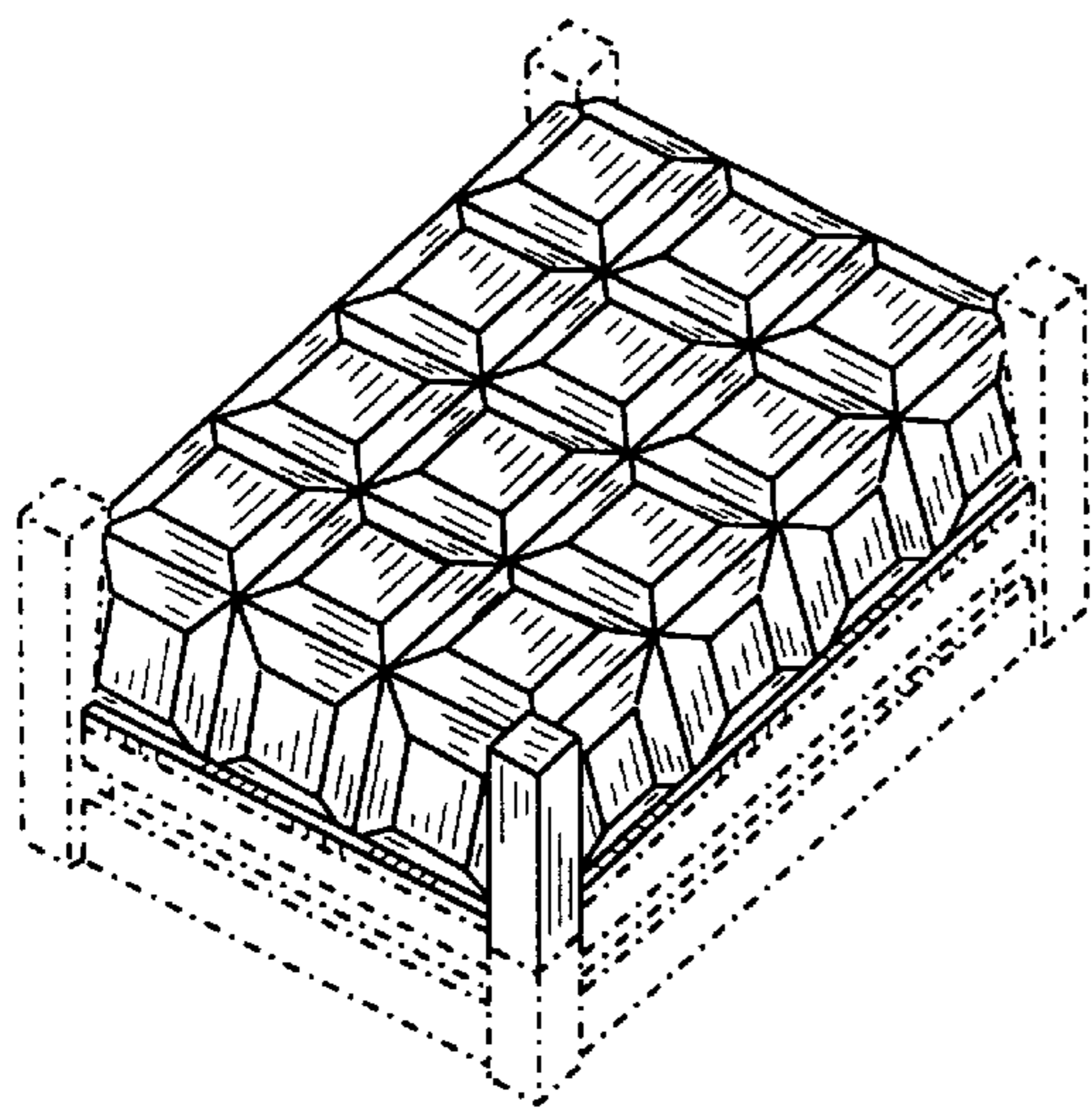


FIG. 19

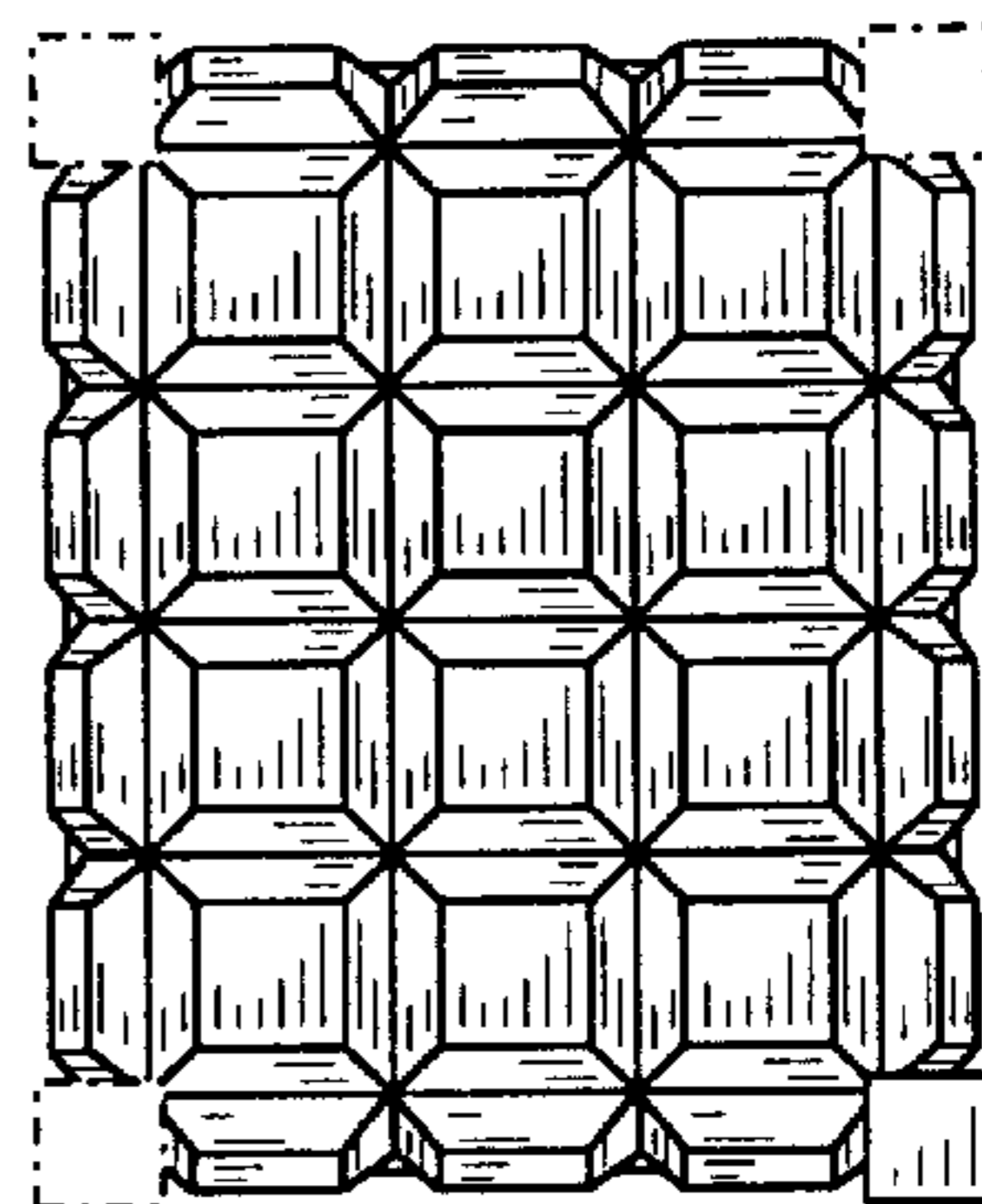


FIG. 20

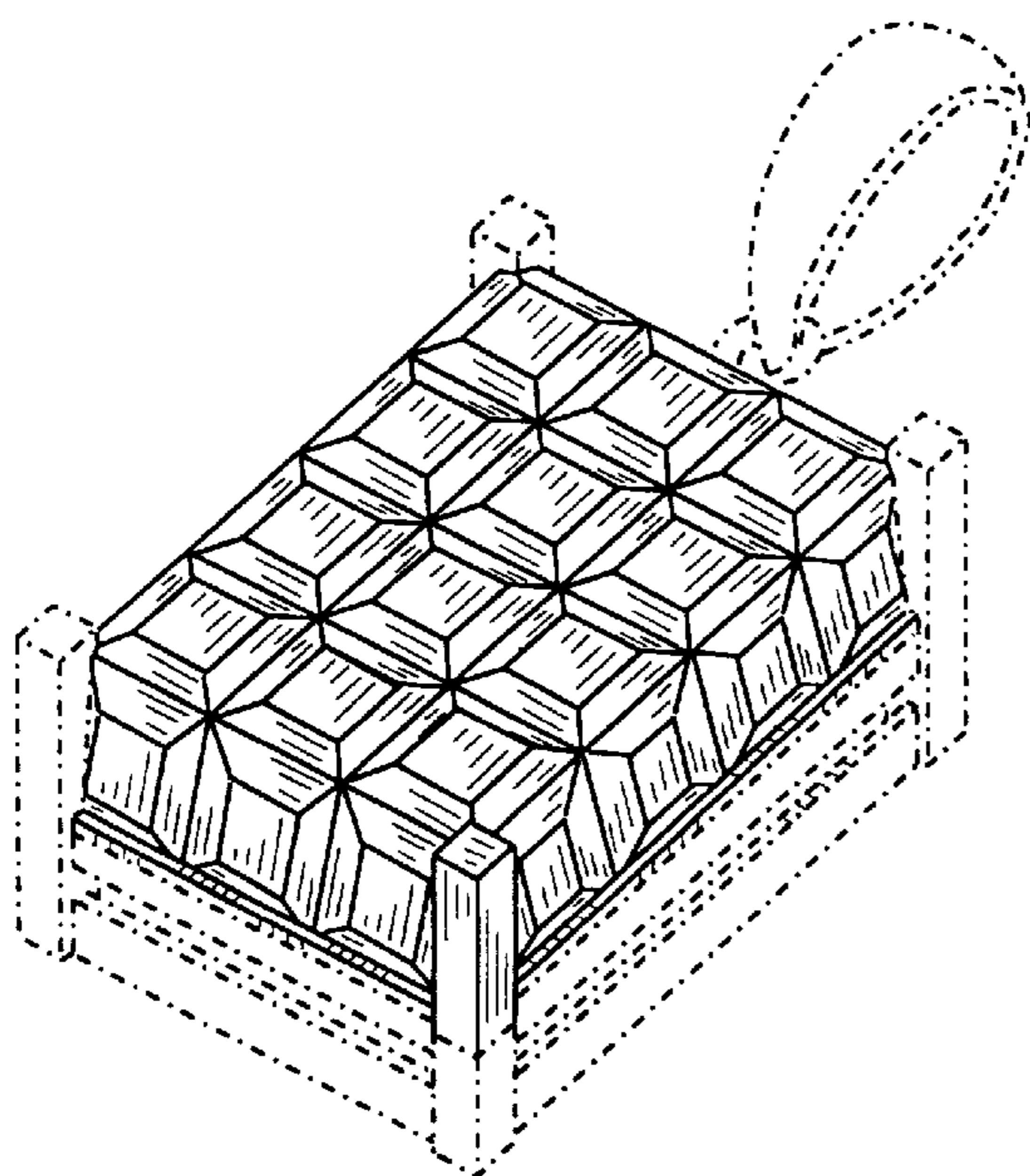


FIG. 21

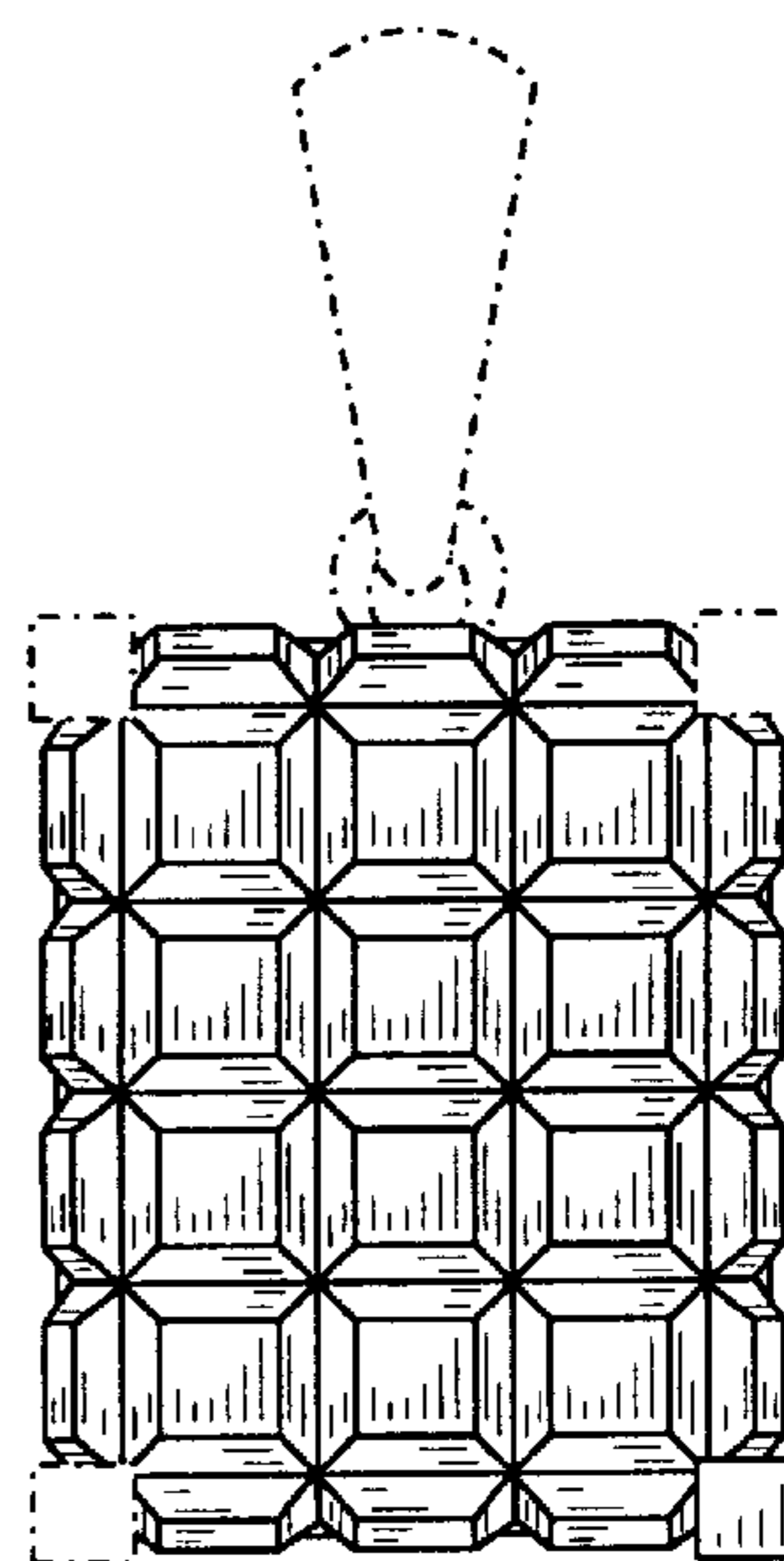


FIG. 22

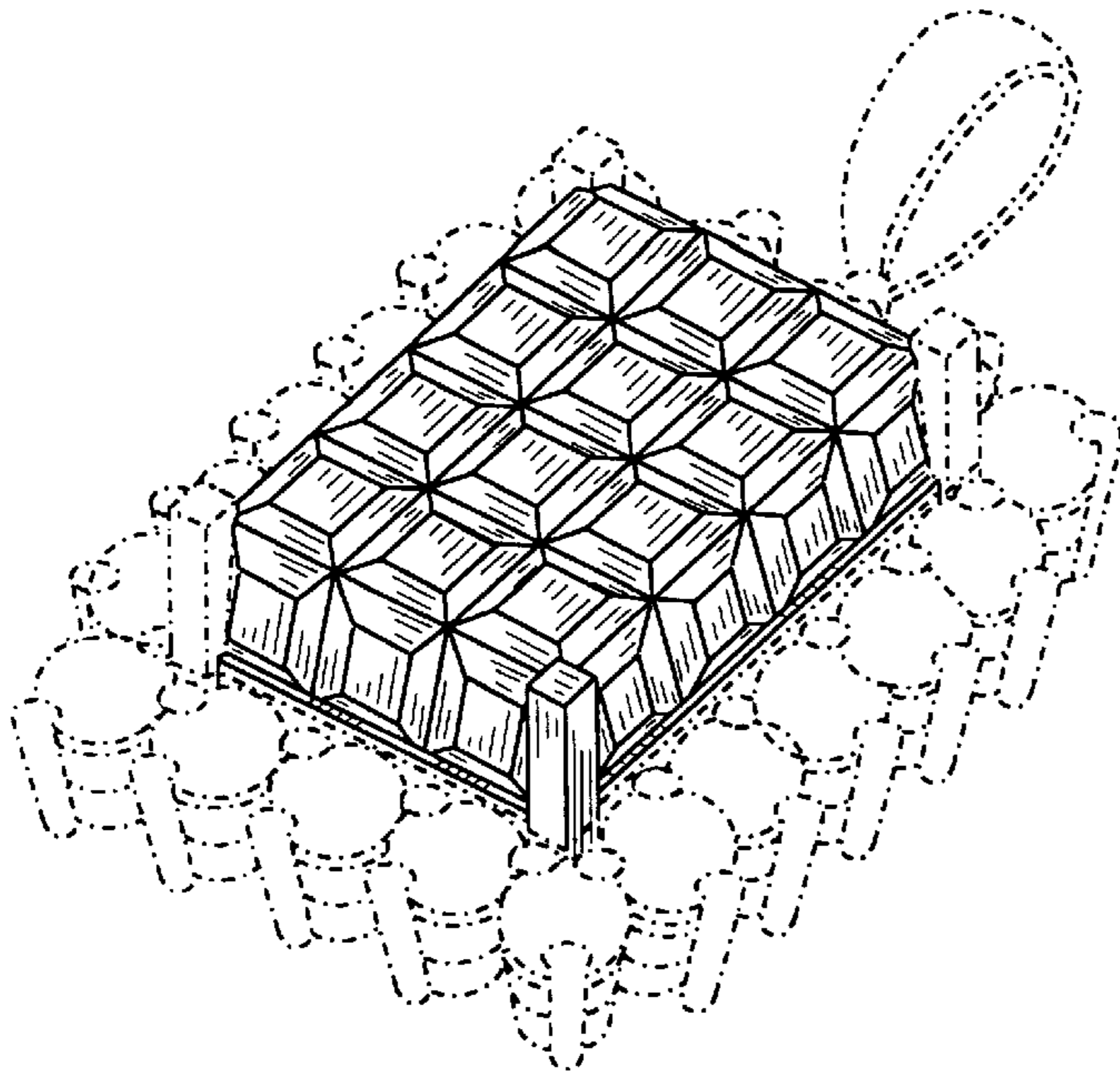


FIG. 23

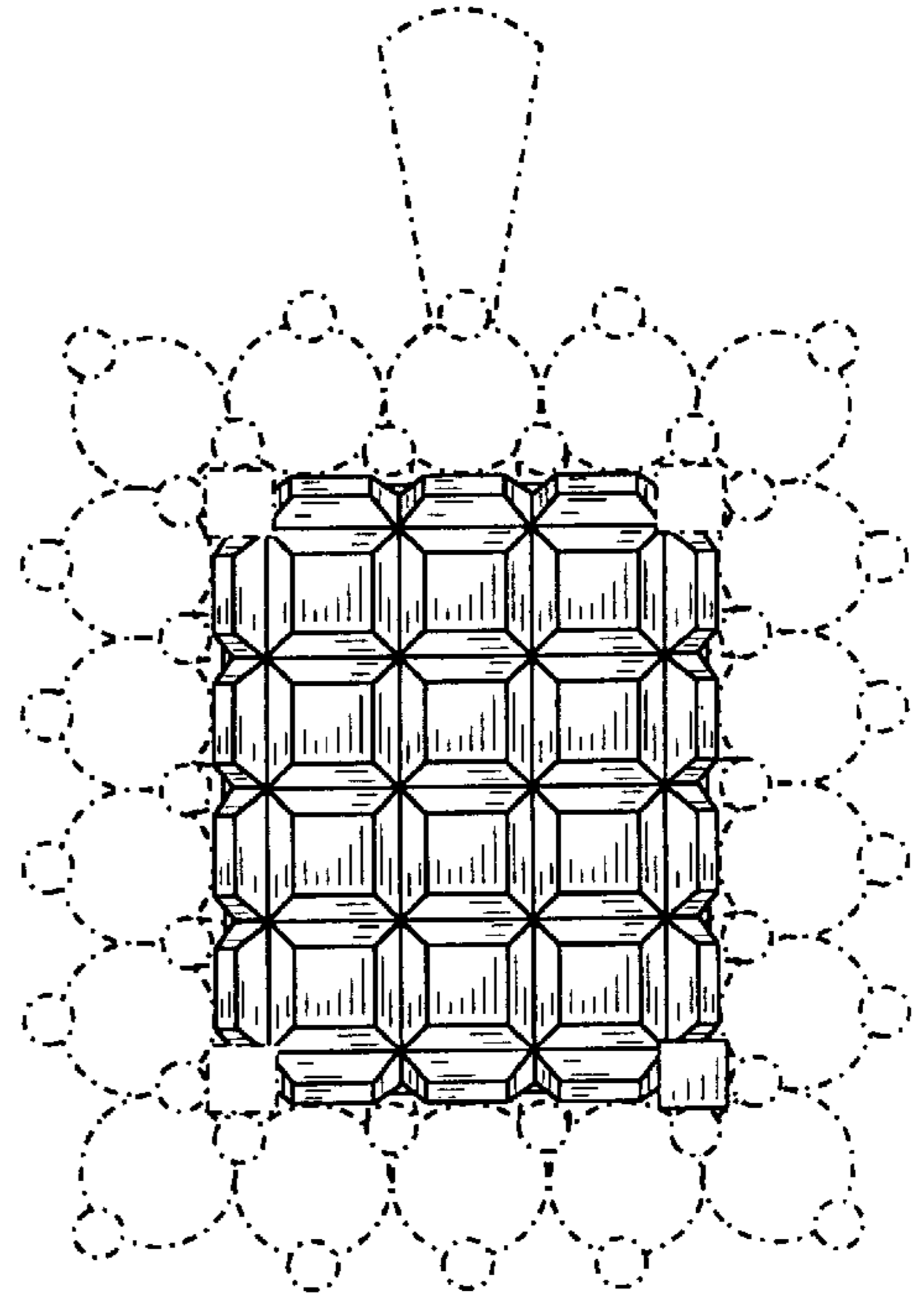


FIG. 24

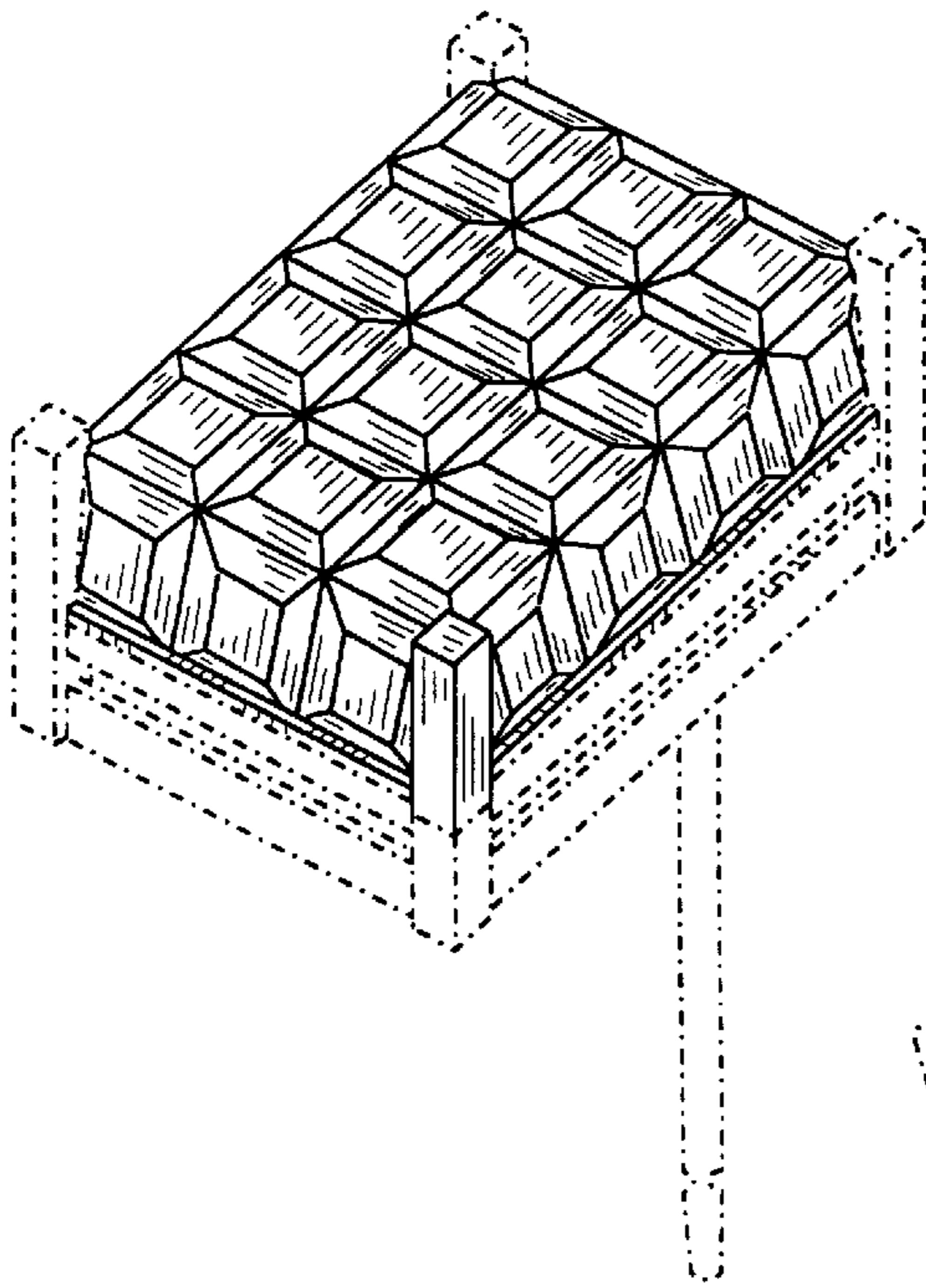


FIG. 25

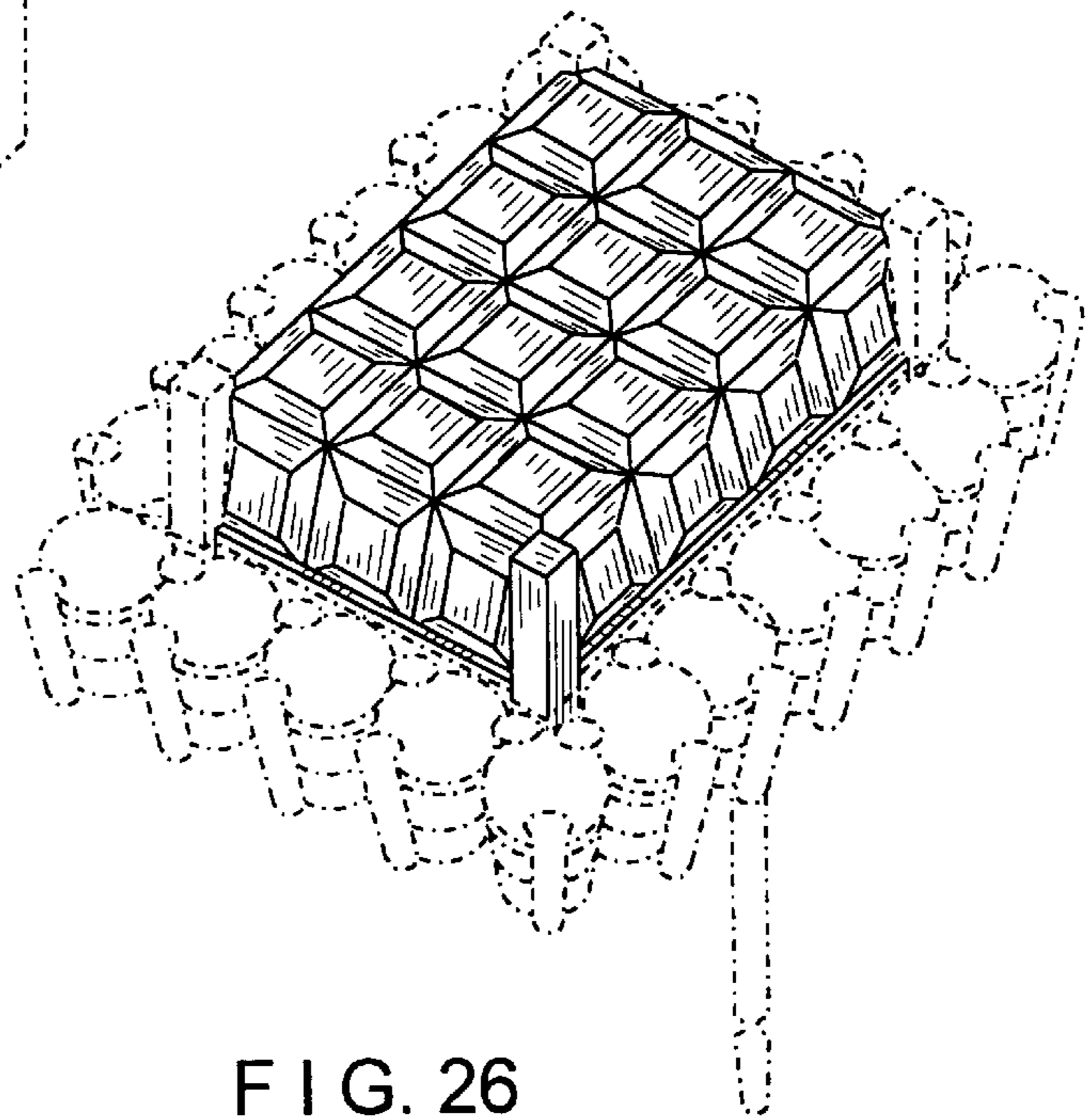


FIG. 26

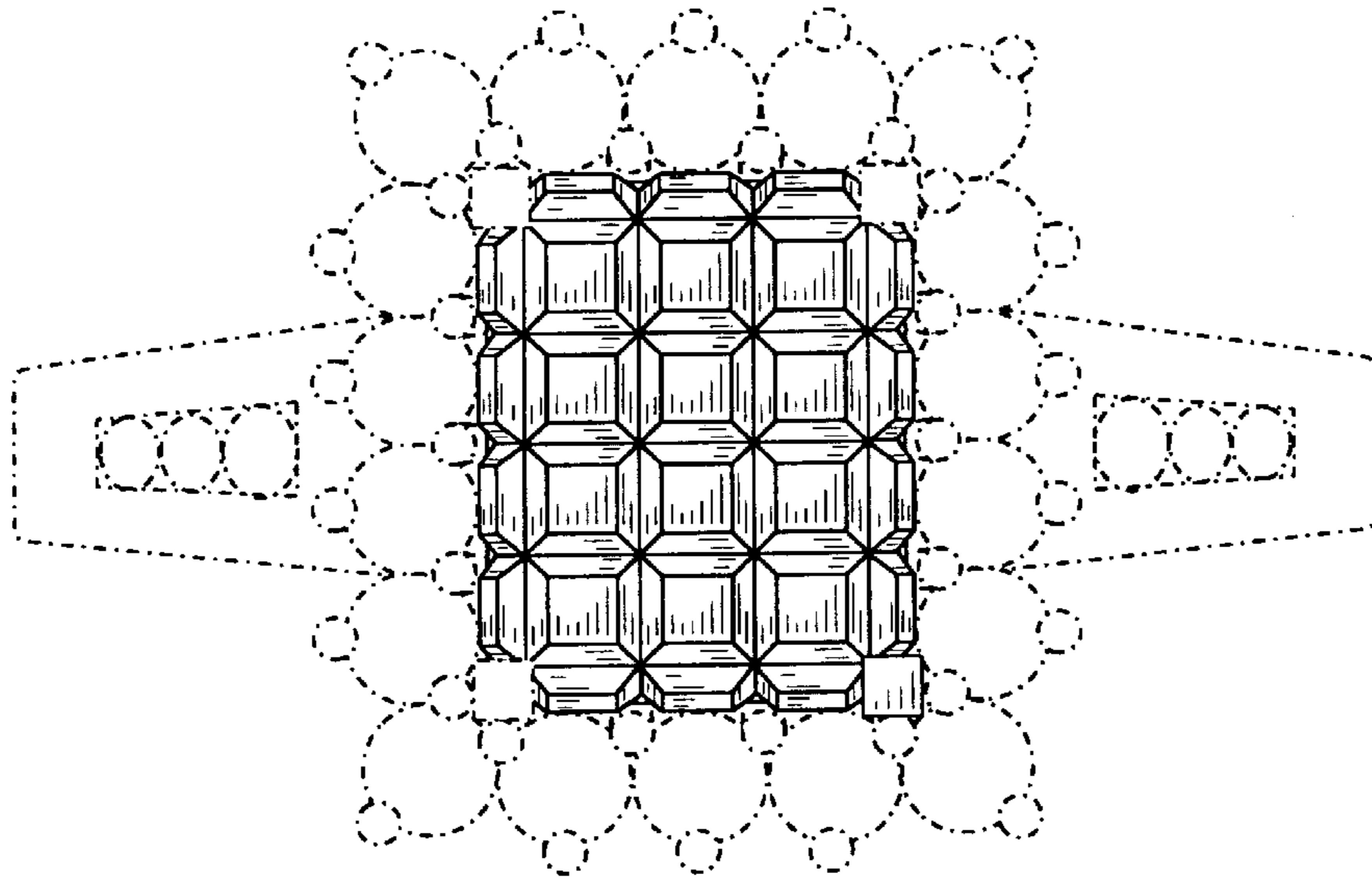


FIG. 27

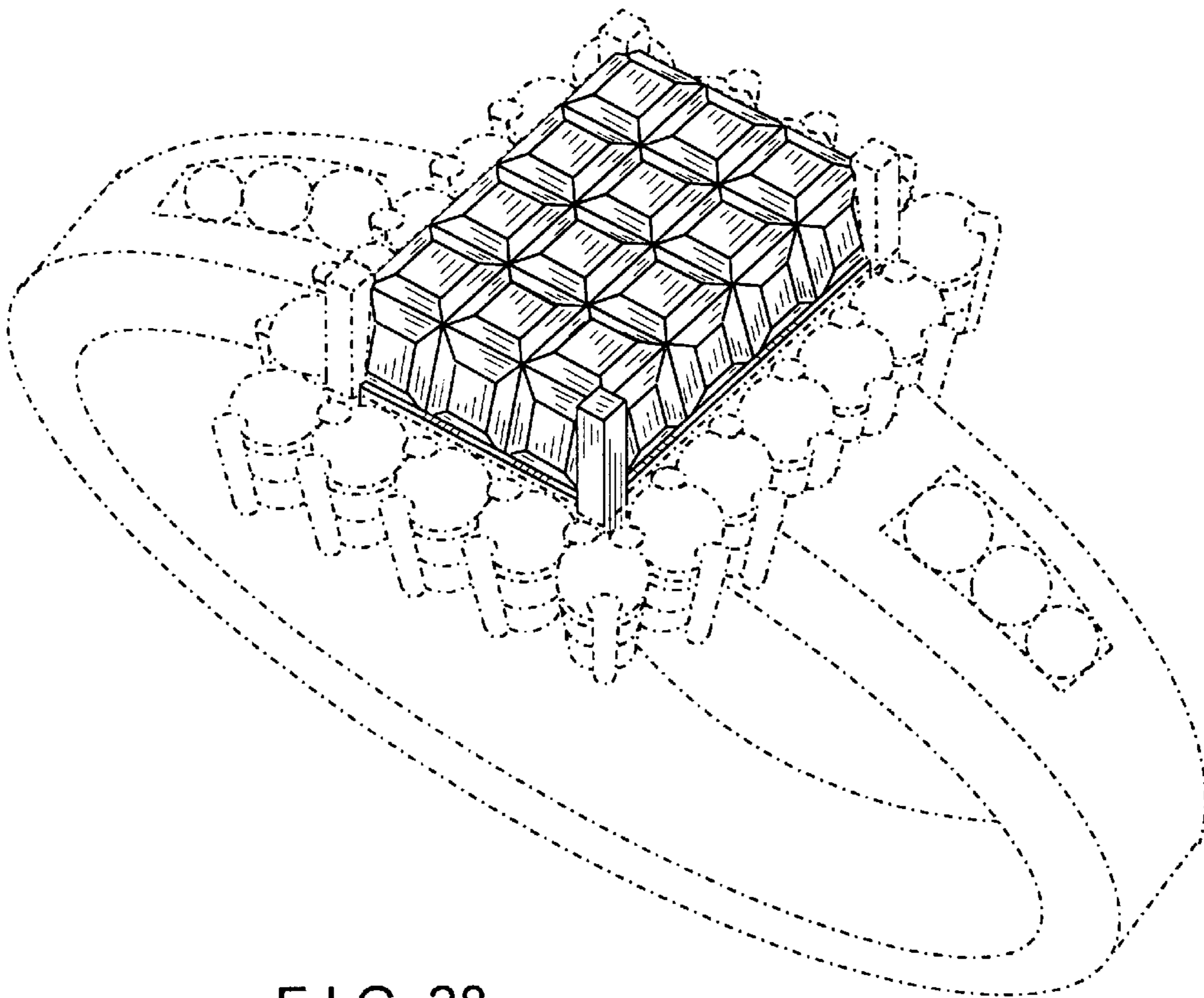


FIG. 28