



US00D432445S

United States Patent [19] Canty

[11] **Patent Number: Des. 432,445**

[45] **Date of Patent: ** Oct. 24, 2000**

[54] **JEWELRY BRACELET OR RING**

[75] Inventor: **Jess Canty**, London, United Kingdom

[73] Assignee: **Jess James Limited**, London, United Kingdom

[**] Term: **14 Years**

[21] Appl. No.: **29/083,260**

[22] Filed: **Feb. 6, 1998**

[30] **Foreign Application Priority Data**

Aug. 8, 1997 [GB] United Kingdom 2068202

[51] **LOC (7) Cl.** **11-01**

[52] **U.S. Cl.** **D11/3; D11/26**

[58] **Field of Search** D11/1-10, 26-30,
D11/34-39; 63/15-15.8

[56] **References Cited**

U.S. PATENT DOCUMENTS

| | | | | |
|------------|---------|------------|-------|--------|
| D. 42,412 | 4/1912 | Bliss | | D11/4 |
| D. 47,746 | 8/1915 | Cohn | | D11/4 |
| D. 373,096 | 8/1996 | Bergagnini | | D11/28 |
| D. 392,585 | 3/1998 | Kohl | | D11/26 |
| 1,586,606 | 6/1926 | Cain | | D11/29 |
| 3,995,447 | 12/1976 | Levsunov | . | |

| | | | |
|-----------|---------|---------------|---|
| 4,841,746 | 6/1989 | Chen | . |
| 4,977,757 | 12/1990 | Mesica et al. | . |
| 5,121,614 | 6/1992 | Weiss | . |
| 5,170,537 | 12/1992 | Sperling | . |

FOREIGN PATENT DOCUMENTS

| | | | |
|---------|---------|----------------|---|
| 2376638 | 1/1977 | France | . |
| 2101897 | 5/1982 | United Kingdom | . |
| 2181939 | 5/1987 | United Kingdom | . |
| 2276806 | 10/1994 | United Kingdom | . |

Primary Examiner—Ralf Seifert
Attorney, Agent, or Firm—Richard P. Gilly

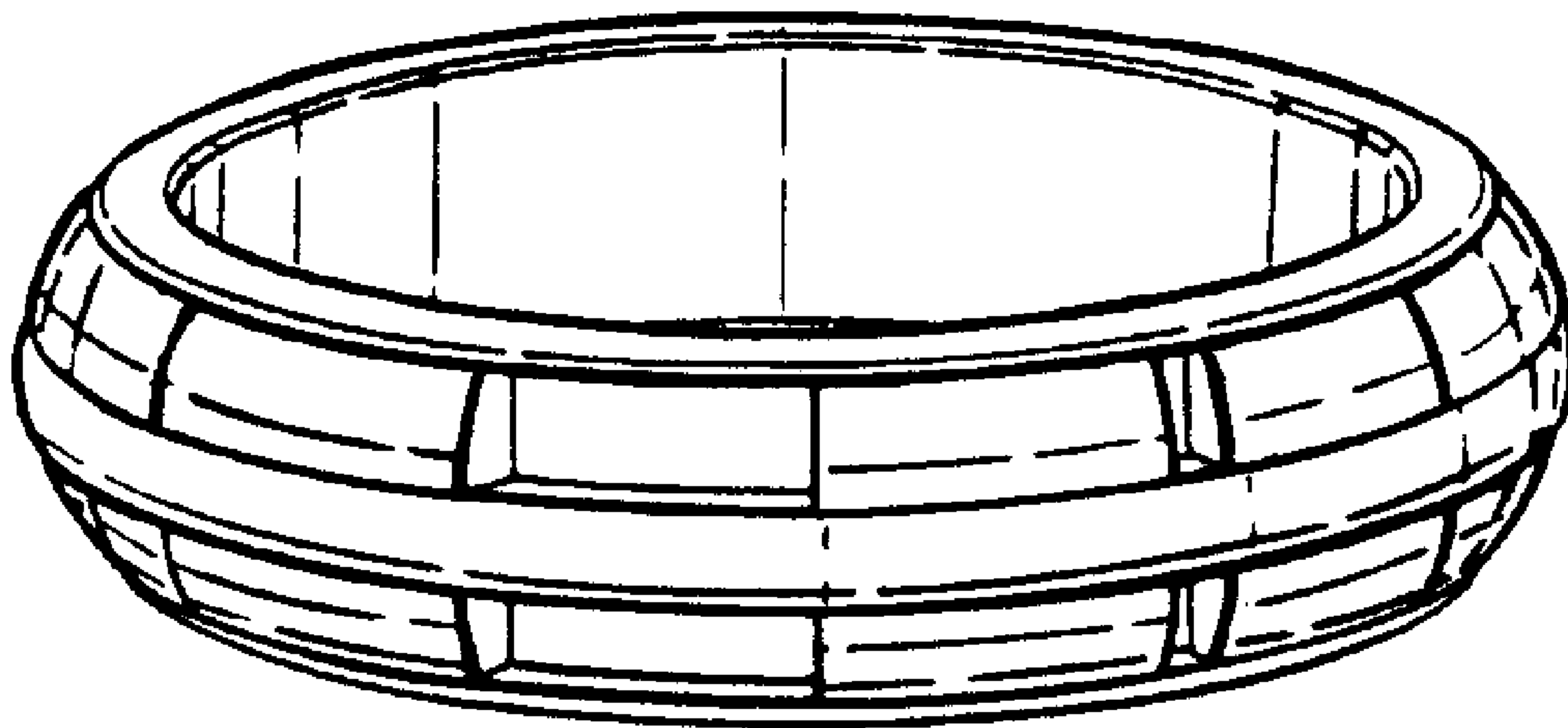
[57] **CLAIM**

The ornamental design for a jewelry bracelet or ring, as shown and described.

DESCRIPTION

FIG. 1 is a perspective view of a jewelry bracelet or ring according to the inventive design;
FIG. 2 is a top plan view thereof, the bottom plan view being a mirror image thereof;
FIG. 3 is a first side elevational view thereof;
FIG. 4 is a second side elevational view thereof;
FIG. 5 is a third side elevational view thereof; and,
FIG. 6 is a fourth side elevational view thereof.

1 Claim, 1 Drawing Sheet



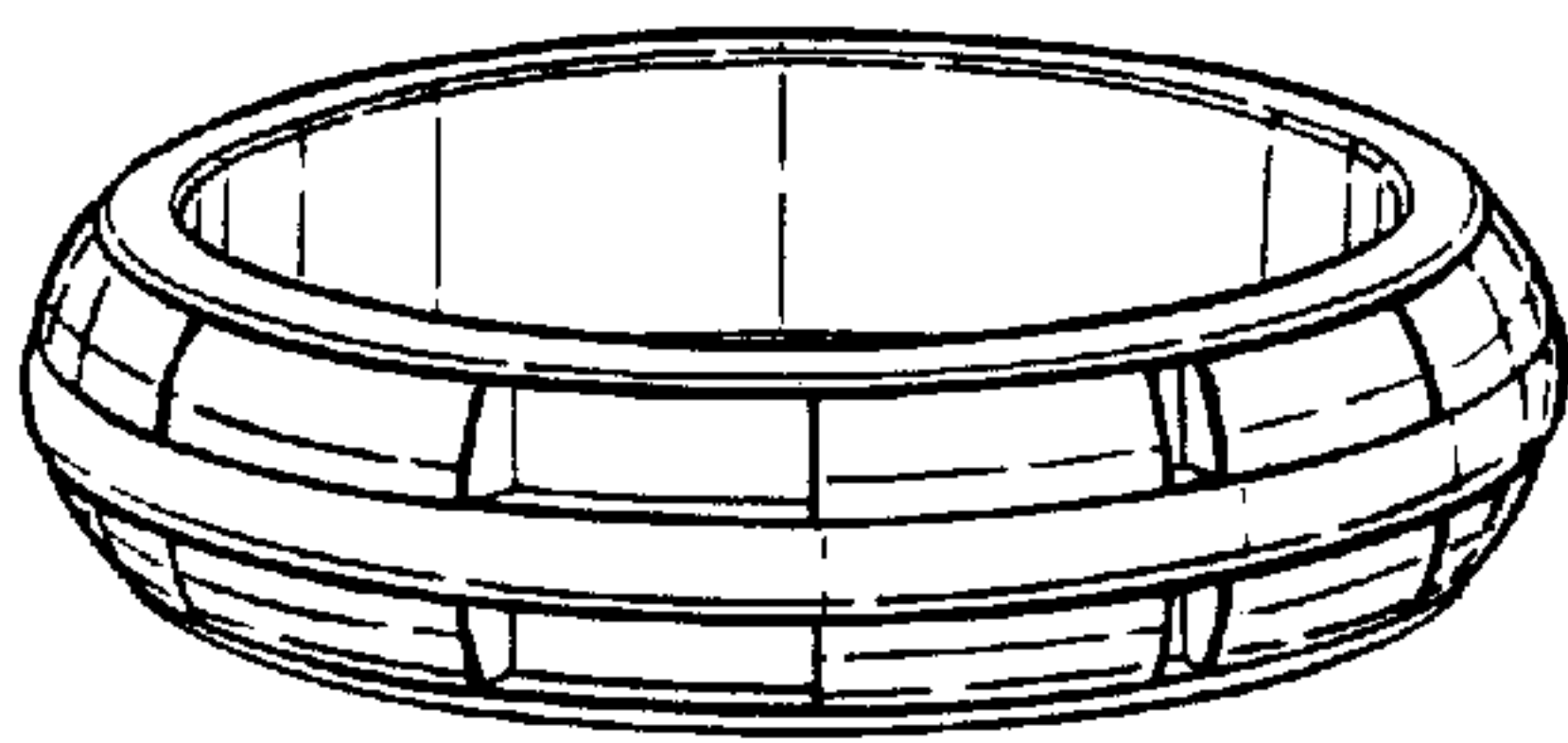


FIG. 1

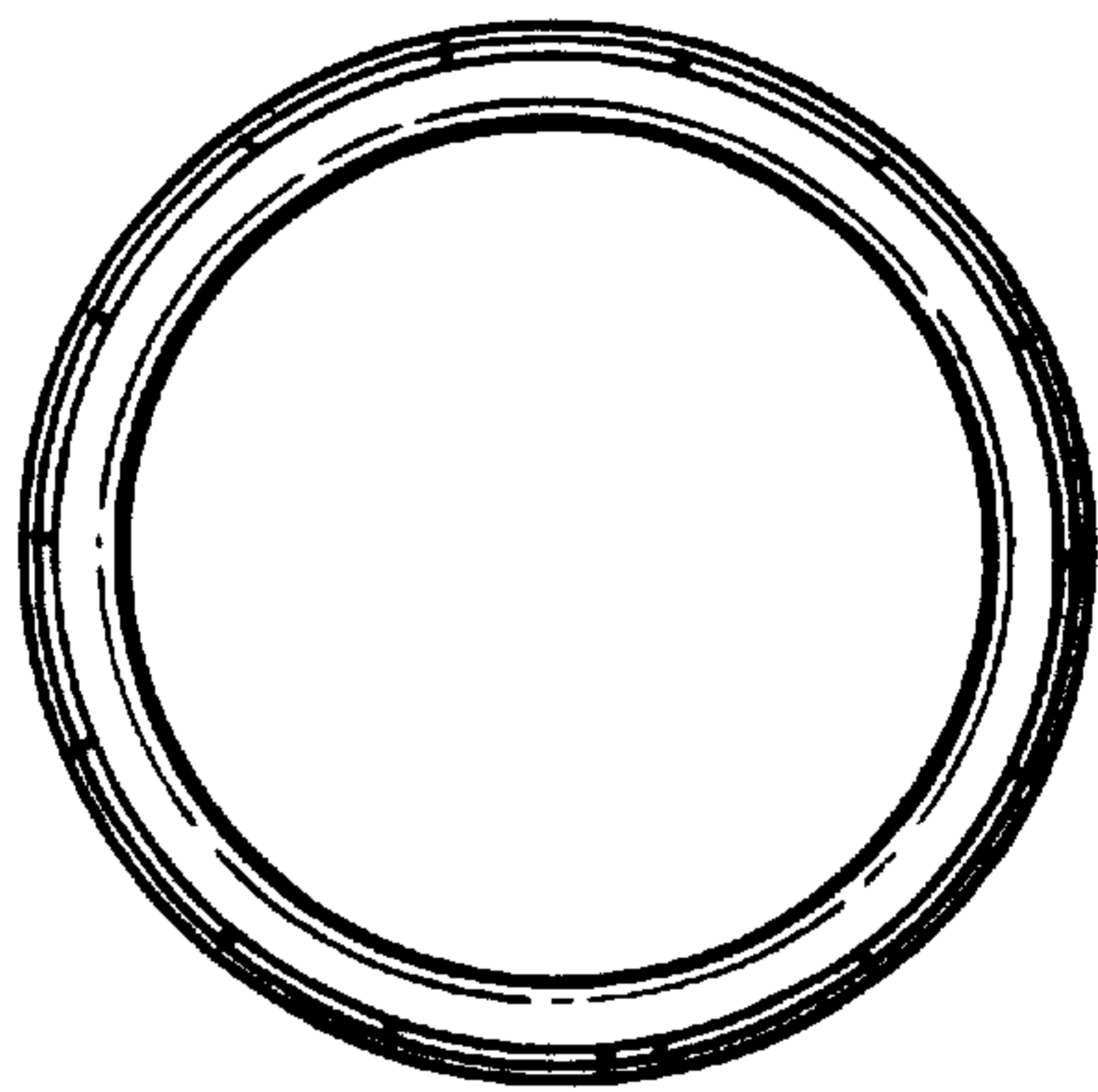


FIG. 2



FIG. 3

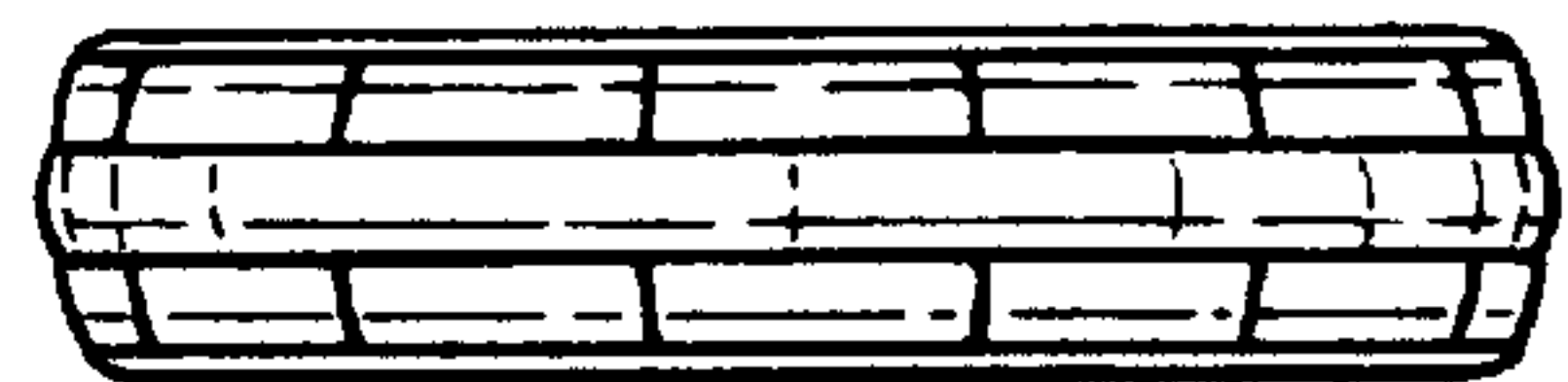


FIG. 4

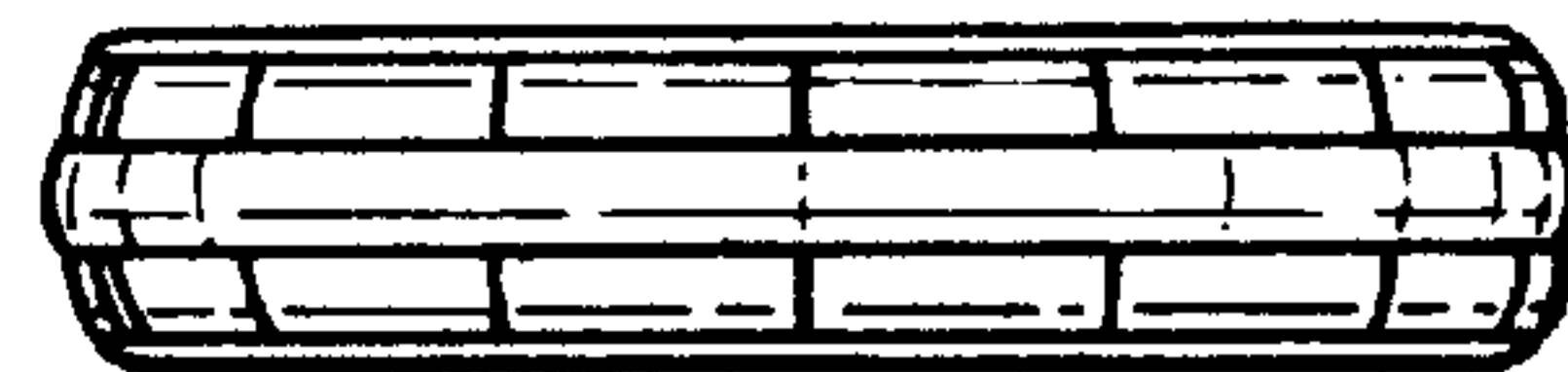


FIG. 5

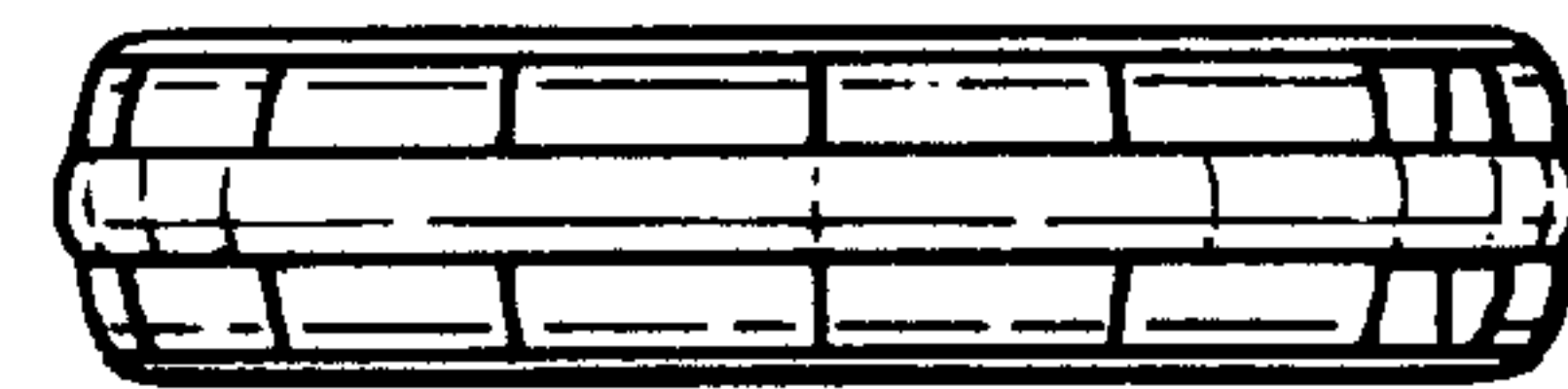


FIG. 6