



US00D432441S

**United States Patent** [19]  
**Stekelenburg**

[11] **Patent Number: Des. 432,441**

[45] **Date of Patent: \*\* Oct. 24, 2000**

[54] **TIMER**

[75] **Inventor: Albert Stekelenburg, Taipei, Taiwan**

[73] **Assignee: All-Time Inc., Taipei, Taiwan**

[\*\*] **Term: 14 Years**

[21] **Appl. No.: 29/118,703**

[22] **Filed: Feb. 14, 2000**

[51] **LOC (7) Cl. .... 10-03**

[52] **U.S. Cl. .... D10/40**

[58] **Field of Search** ..... D10/1-40, 122-132;  
200/38 R; 368/96-100, 107-121, 276-277,  
285, 316, 317; 307/141 R, 141.4

[56] **References Cited**

**U.S. PATENT DOCUMENTS**

- D. 265,553 7/1982 Joss et al. .... D10/40
- D. 380,396 7/1997 Svarnias et al. .... D10/40

- D. 402,902 12/1998 Chen ..... D10/40
- D. 402,903 12/1998 Chen ..... D10/40
- D. 405,376 2/1999 Stekelenburg ..... D10/40
- 2,670,794 3/1954 Gallegher ..... D10/40 X

*Primary Examiner*—Nelson C. Holtje  
*Attorney, Agent, or Firm*—Dougherty & Troxell

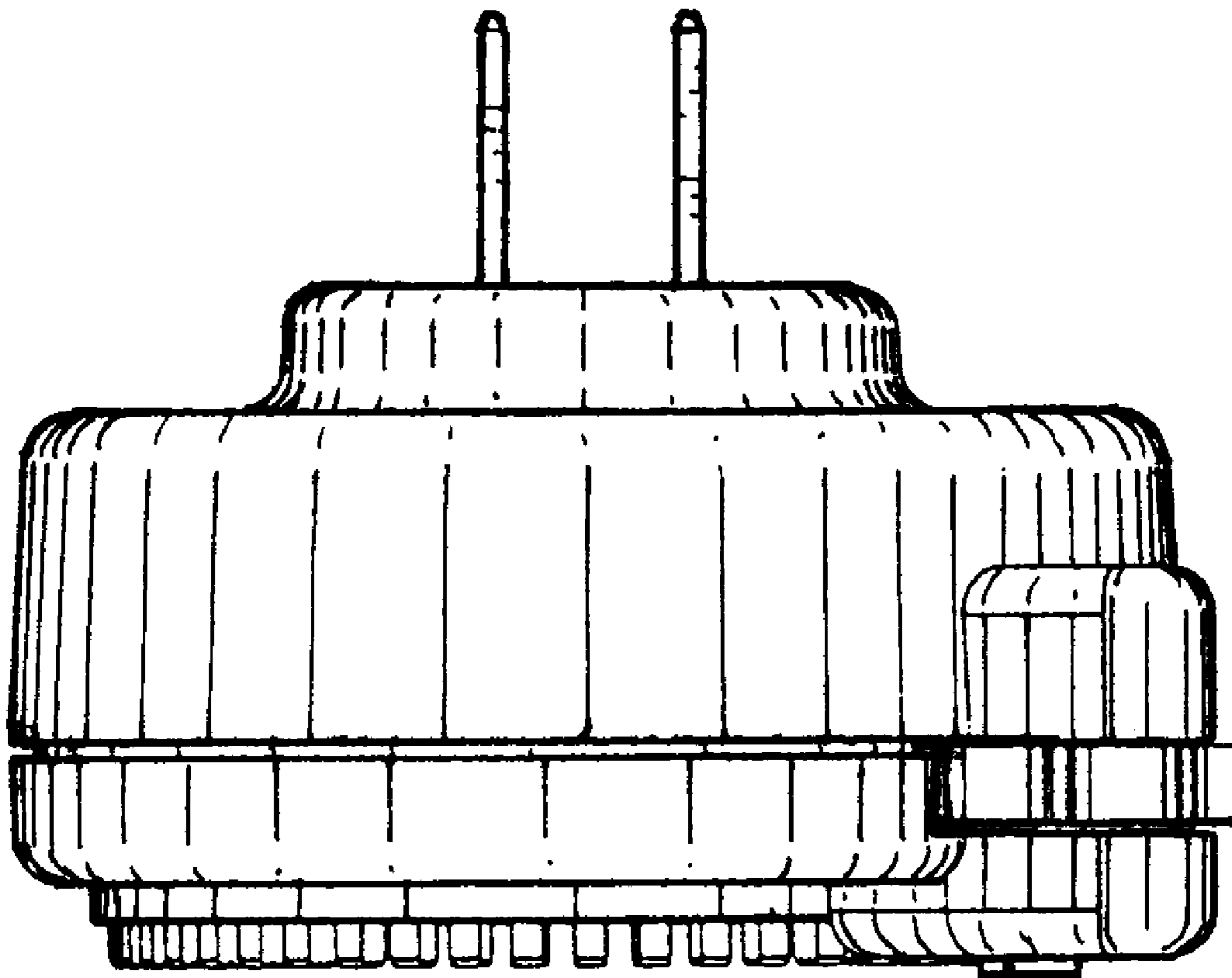
[57] **CLAIM**

The ornamental design for a timer, as shown and described.

**DESCRIPTION**

FIG. 1 is a top elevational view of a timer showing the preferred embodiment of my new design;  
FIG. 2 is a front view thereof;  
FIG. 3 is a right side elevational view thereof;  
FIG. 4 is a bottom view thereof;  
FIG. 5 is a left side elevational view thereof; and,  
FIG. 6 is a rear view thereof.

**1 Claim, 2 Drawing Sheets**



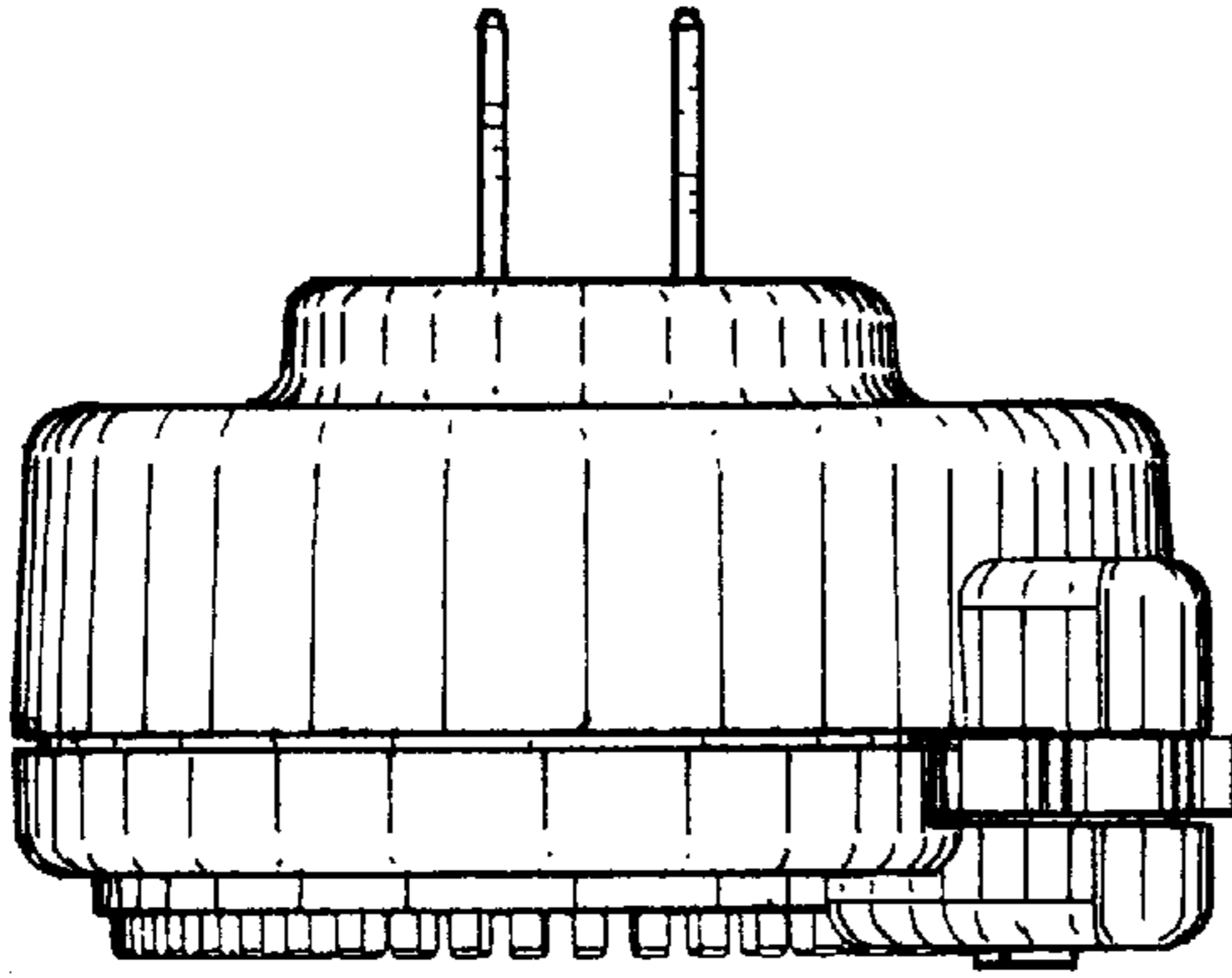


FIG. 1

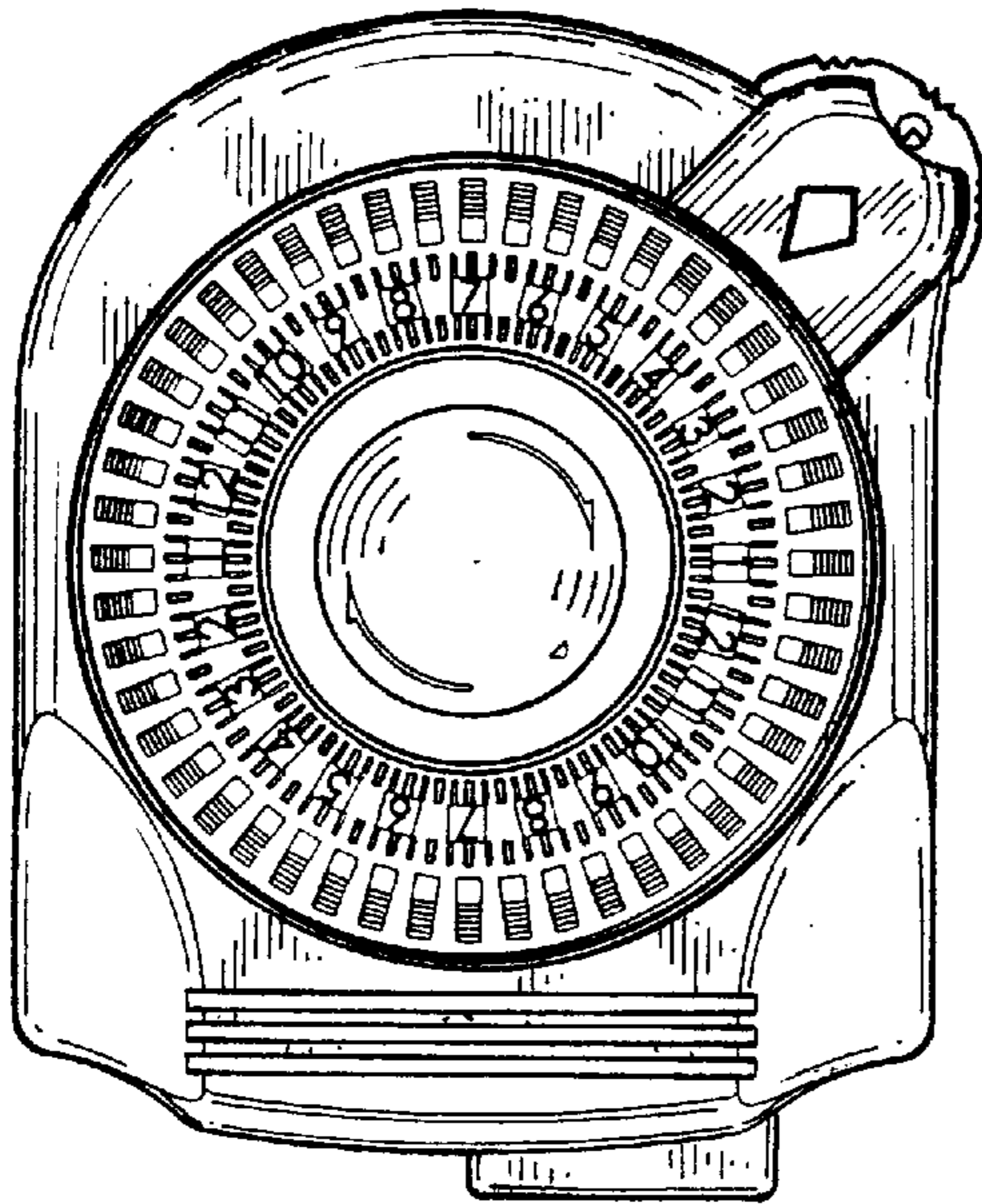


FIG. 2

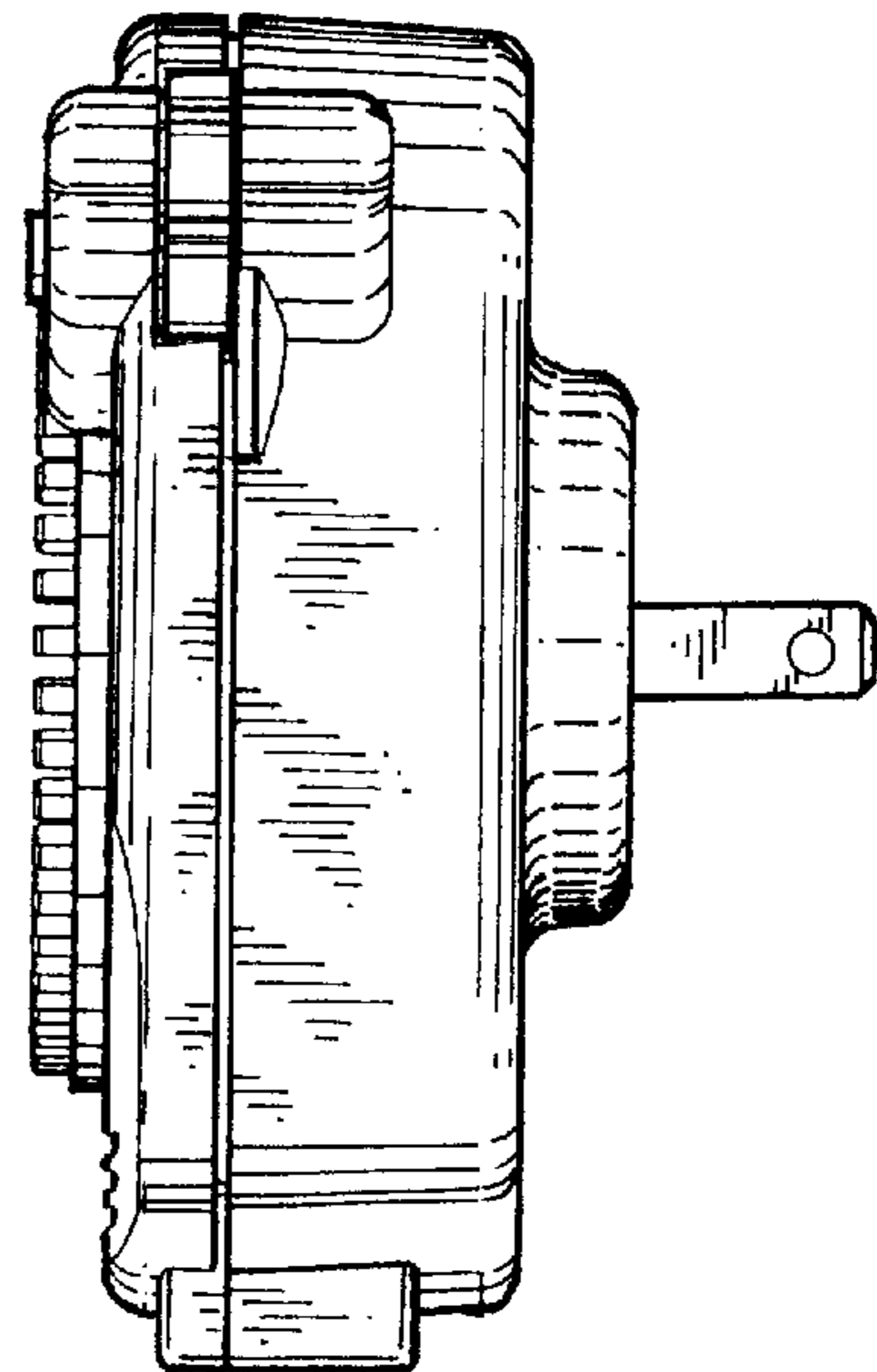


FIG. 3

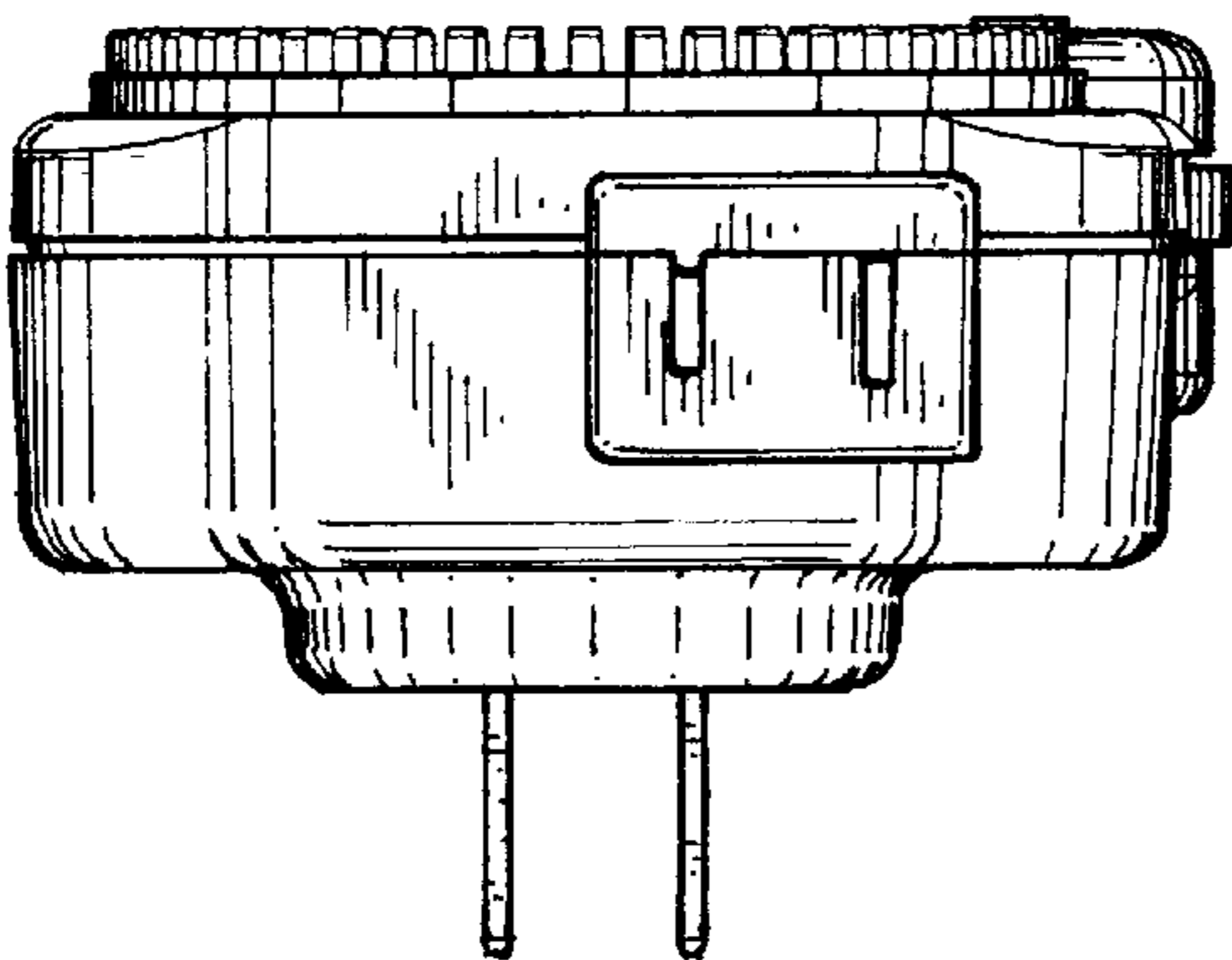


FIG. 4

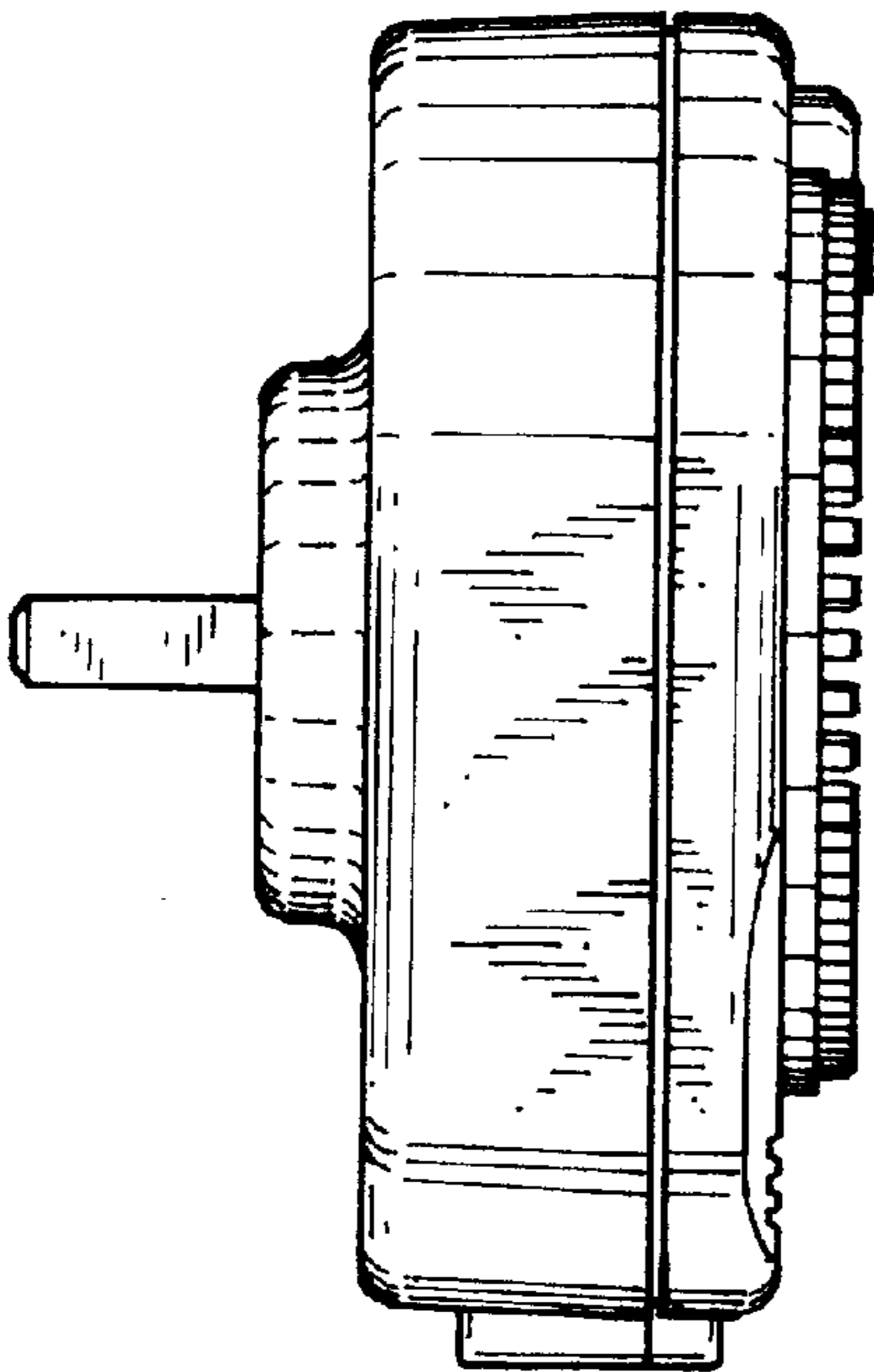


FIG. 5

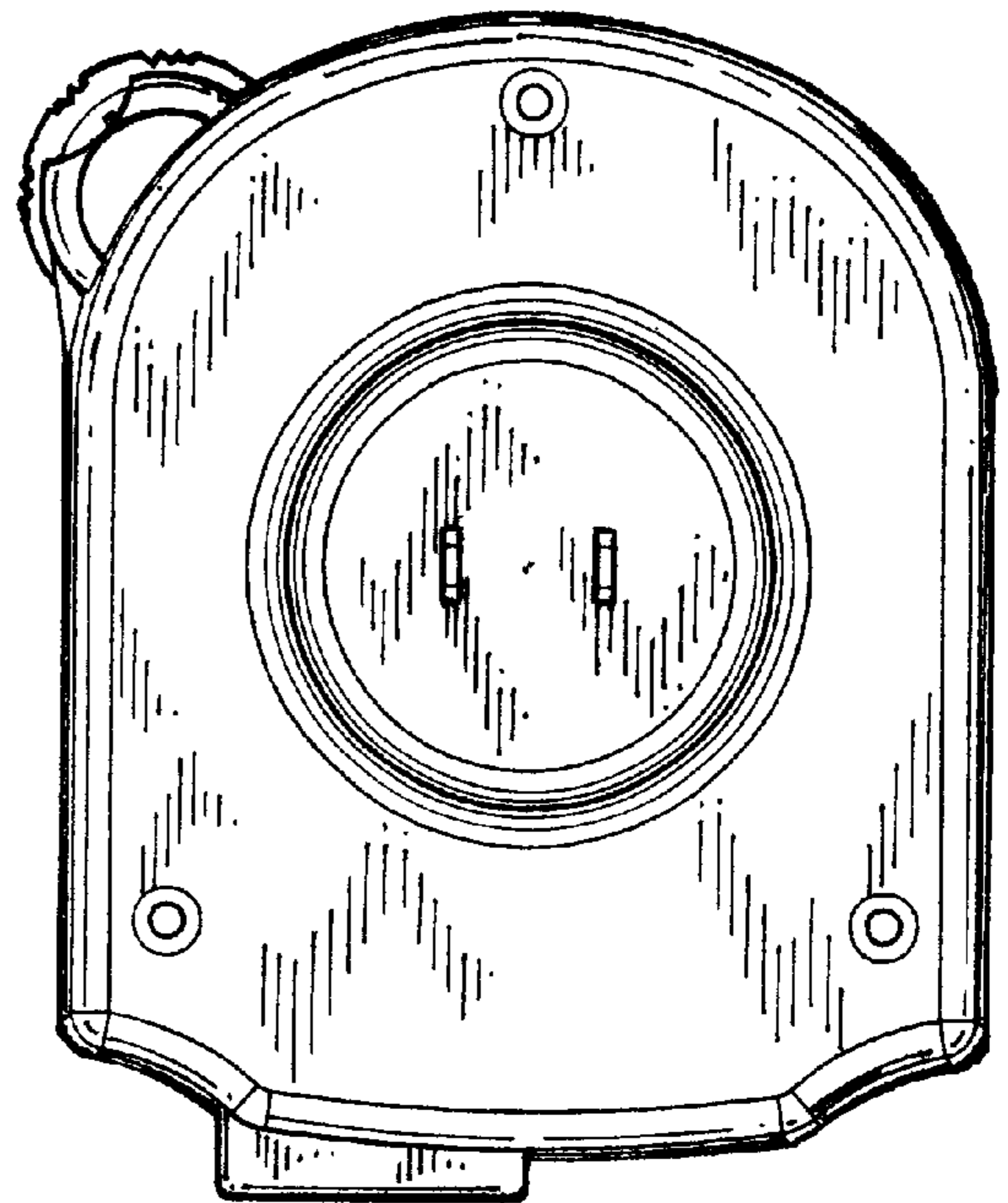


FIG. 6