



US00D432440S

# United States Patent [19]

Kato

[11] Patent Number: **Des. 432,440**

[45] Date of Patent: **\*\* Oct. 24, 2000**

[54] **CYCLE TIMER**

[75] Inventor: **Umeshi Kato**, Taki-gun, Japan

[73] Assignee: **Nakagawa Electric Ind. Co., Ltd.**,  
Matsusaka, Japan

[\*\*] Term: **14 Years**

[21] Appl. No.: **29/116,165**

[22] Filed: **Dec. 28, 1999**

[51] **LOC (7) Cl.** ..... **10-03**

[52] **U.S. Cl.** ..... **D10/40**

[58] **Field of Search** ..... D10/1-40, 122-132;  
368/96-100, 107-121, 276-277, 285, 316,  
317

[56] **References Cited**

**U.S. PATENT DOCUMENTS**

D. 219,920 2/1971 Volland et al. .... D10/40  
3,713,053 1/1973 Mahon ..... 335/75

4,302,639 11/1981 Lewis et al. .... 200/38 R  
4,867,005 9/1989 Volland ..... 74/568 T  
5,715,214 2/1998 Svarnias ..... 368/10  
5,814,776 9/1998 Worley ..... 200/38 R  
5,889,244 3/1999 Kraus ..... 200/38 R

*Primary Examiner*—Nelson C. Holtje  
*Attorney, Agent, or Firm*—Oliff & Berridge, PLC.

[57] **CLAIM**

The ornamental design for a cycle timer, as shown.

**DESCRIPTION**

FIG. 1 is a top plan view of a cycle timer;  
FIG. 2 is a front elevational view of the cycle timer;  
FIG. 3 is a bottom plan view of the cycle timer;  
FIG. 4 is a left side elevational view of the cycle timer;  
FIG. 5 is a right side elevational view of the cycle timer;  
FIG. 6 is a rear elevational view of the cycle timer; and,  
FIG. 7 is a perspective view of the cycle timer.

**1 Claim, 4 Drawing Sheets**

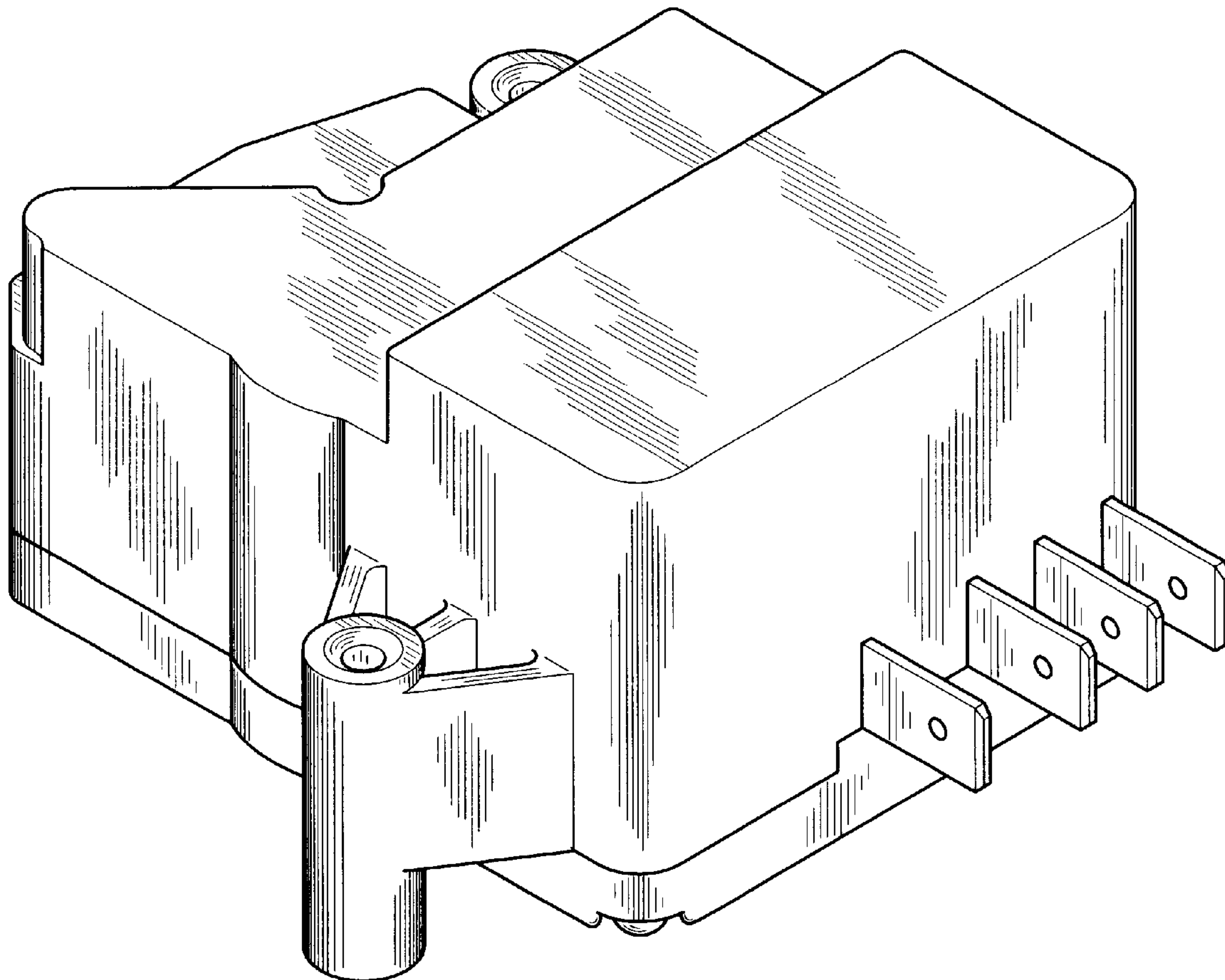


FIG.1

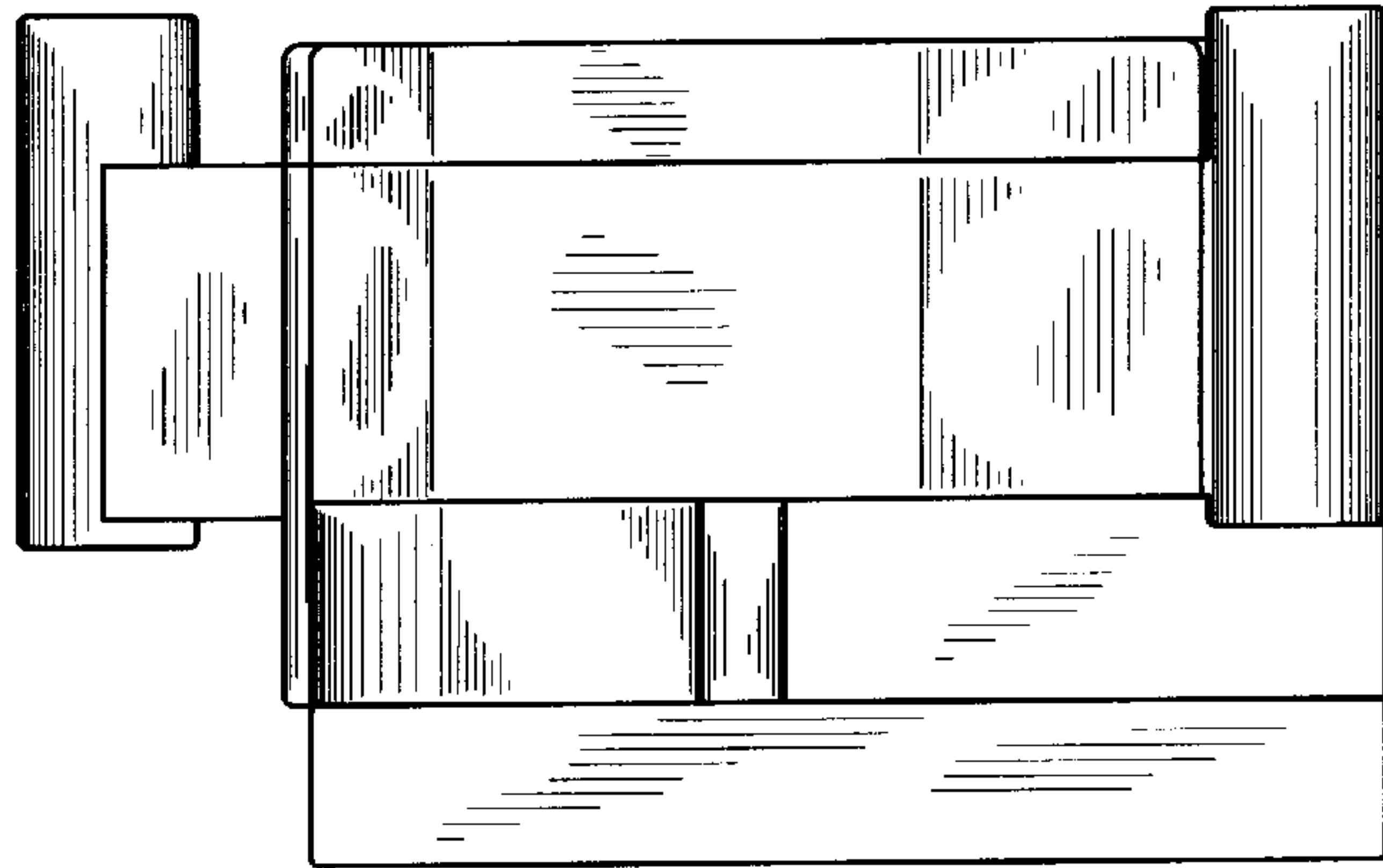


FIG.2

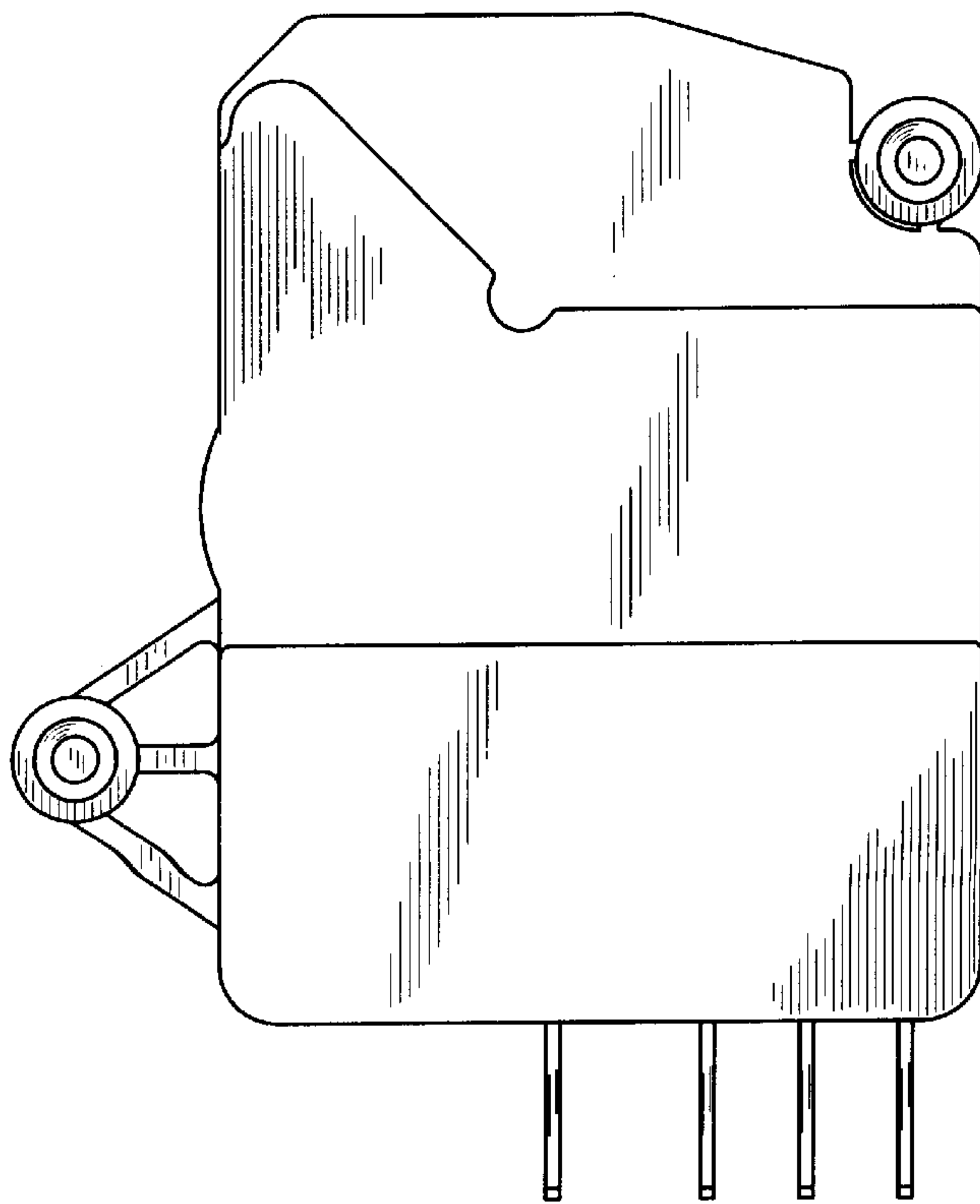


FIG.3

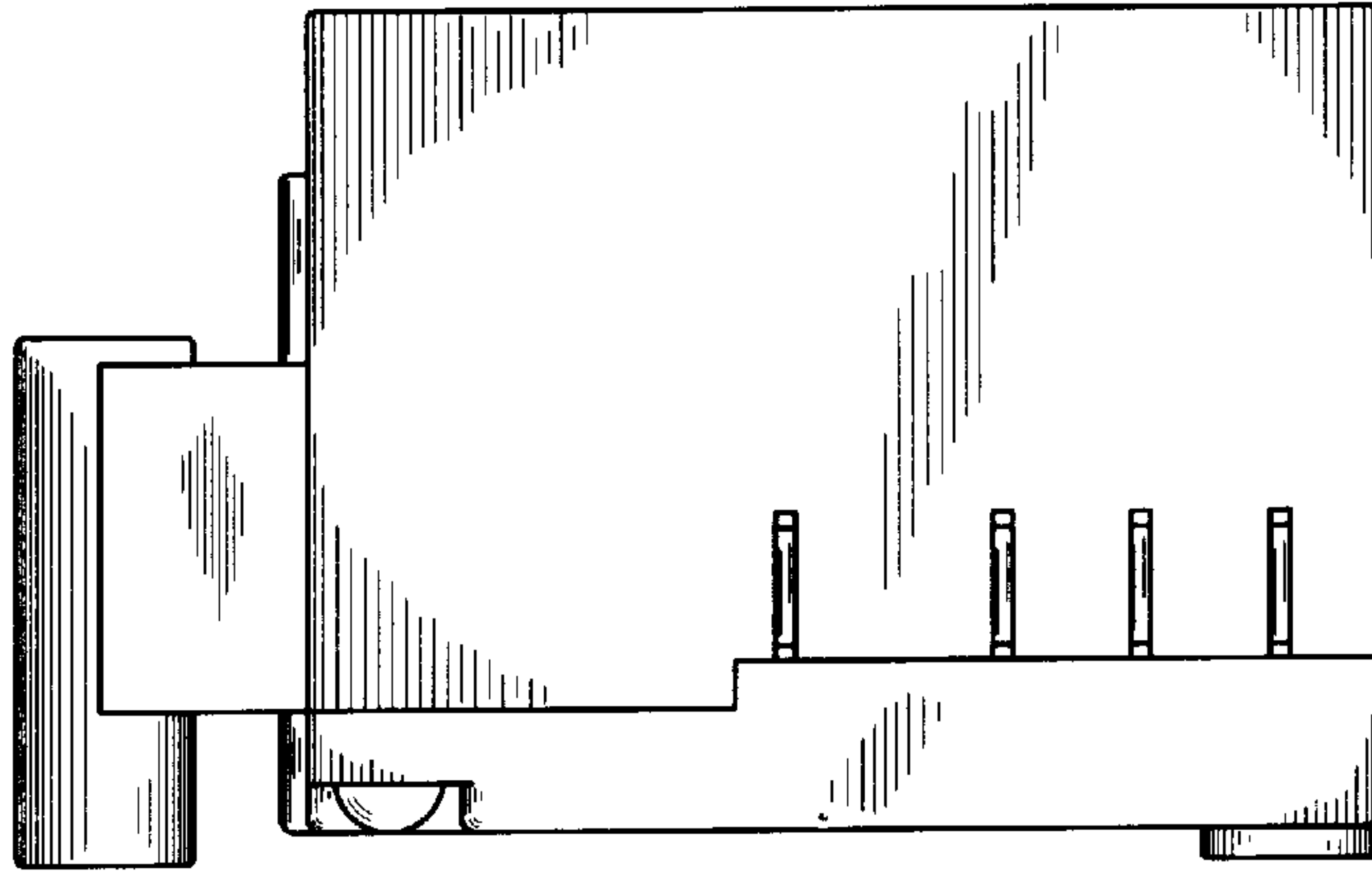


FIG.4

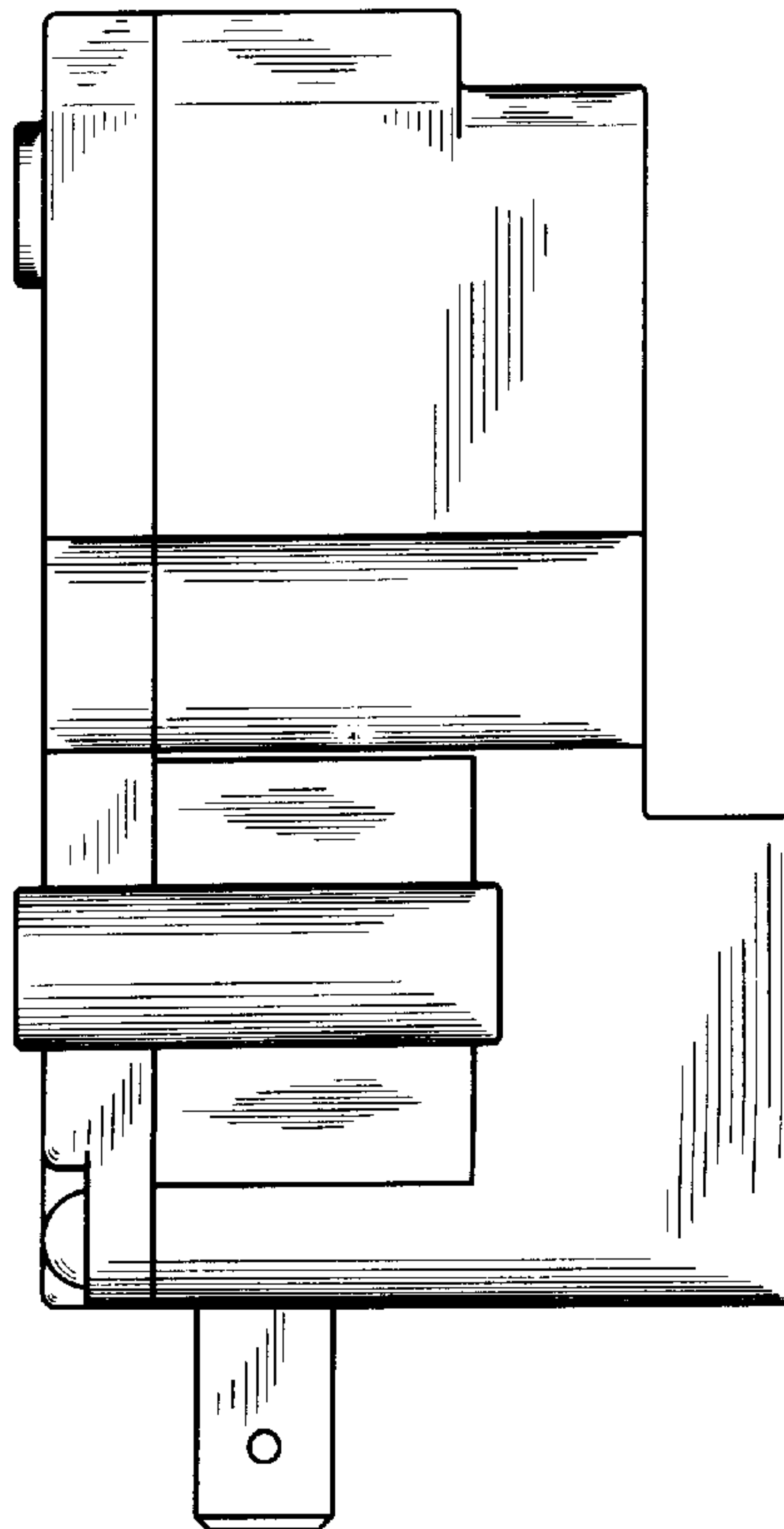


FIG.5

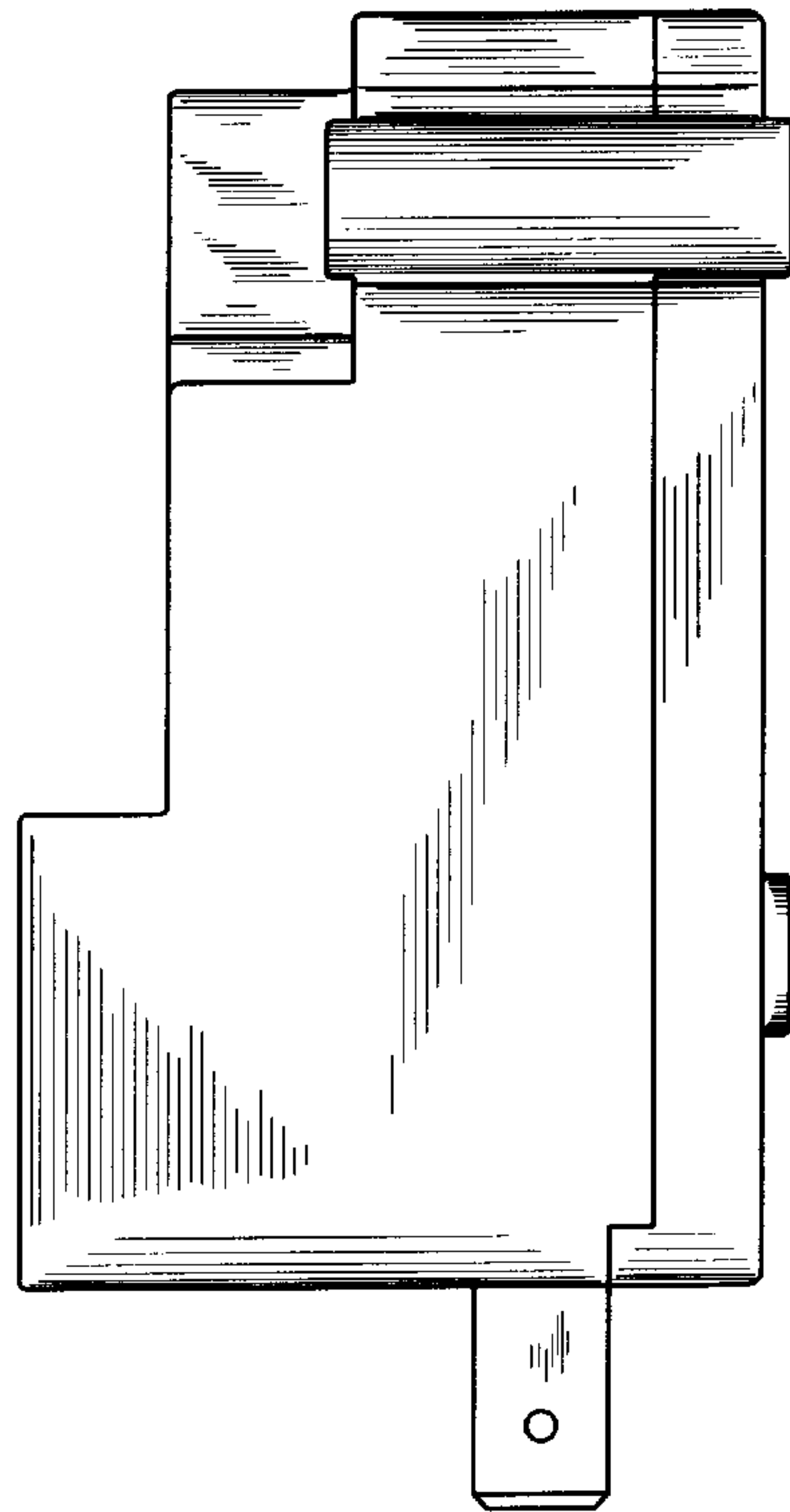


FIG.6

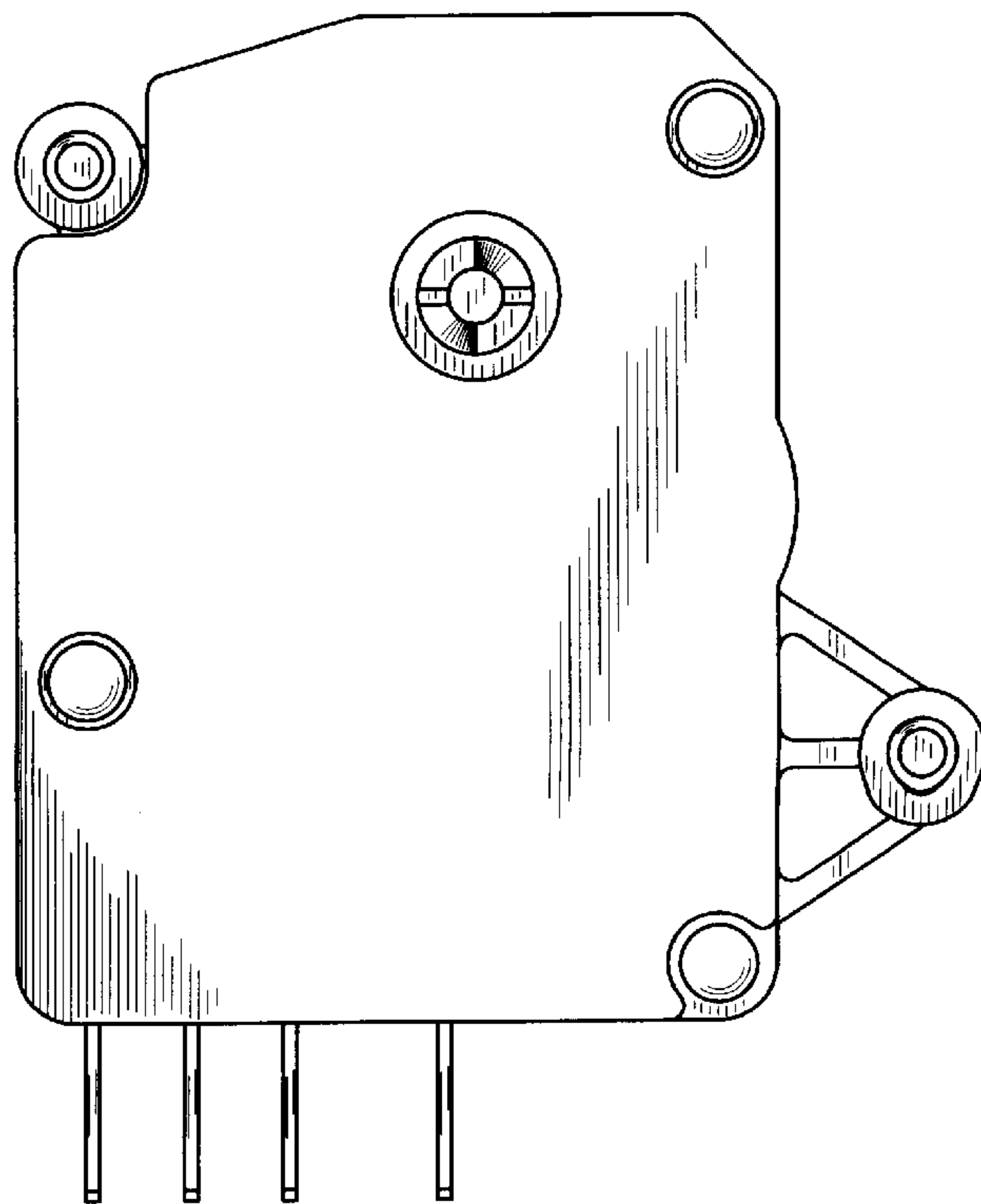


FIG. 7

