



US00D432425S

**United States Patent** [19]  
**Feigenbaum**

[11] **Patent Number: Des. 432,425**

[45] **Date of Patent: \*\* Oct. 24, 2000**

[54] **COMBINED BOTTLE AND CAP**

[75] Inventor: **Robert Feigenbaum**, Neuried,  
Germany

[73] Assignee: **ADA Guest Supplies International  
GmbH**, Walchwil/Zug, Switzerland

[\*\*] Term: **14 Years**

[21] Appl. No.: **29/118,842**

[22] Filed: **Feb. 17, 2000**

[30] **Foreign Application Priority Data**

Jan. 7, 2000 [XH] Hague Agreement ..... DM/050297

[51] **LOC (7) Cl.** ..... **09-01**

[52] **U.S. Cl.** ..... **D9/529; D9/452; D9/571**

[58] **Field of Search** ..... D9/529, 571, 573,  
D9/574, 544, 563, 452, 454; 215/382, 383,  
384

[56] **References Cited**

**U.S. PATENT DOCUMENTS**

D. 63,436	12/1923	Schwenck	.....	D9/544
D. 87,397	7/1932	Marshburn et al.	.....	D9/571
D. 208,118	7/1967	Roth	.....	D9/454
D. 211,931	8/1968	Eicholz	.....	D9/529
D. 225,834	1/1973	Kneapler	.....	D9/571
D. 237,462	11/1975	Peters	.....	D9/529
D. 282,529	2/1986	Pereira et al.	.....	D9/529
D. 411,109	6/1999	Suto	.....	D9/571

*Primary Examiner*—Lucy Lieberman

*Attorney, Agent, or Firm*—Akin, Gump, Strauss, Haller &  
Feld, L.L.P.

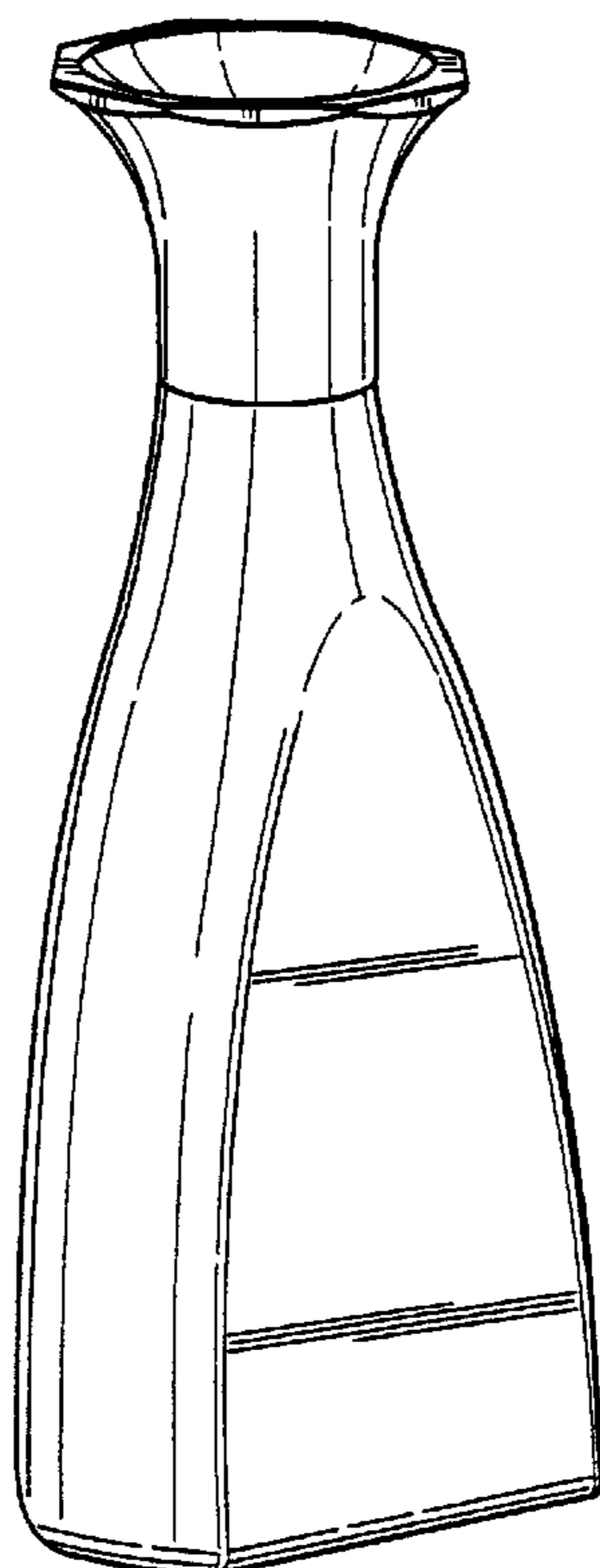
[57] **CLAIM**

The ornamental design for a combined bottle and cap, as  
shown and described.

**DESCRIPTION**

FIG. 1 is a perspective view of a combined bottle and cap in accordance with a first embodiment of my new design; FIG. 2 is a left side elevational view of the combined bottle and cap of FIG. 1, with the right side elevational view being a mirror image thereof; FIG. 3 is a top plan view of the combined bottle and cap of FIG. 1; FIG. 4 is a front elevational view of the combined bottle and cap of FIG. 1, with the rear elevational view being a mirror image thereof; FIG. 5 is a bottom plan view of the combined bottle and cap of FIG. 1; FIG. 6 is a perspective view of a combined bottle and cap in accordance with a second embodiment of my new design; FIG. 7 is a left side elevational view of the combined bottle and cap of FIG. 6, with the right side elevational view being a mirror image thereof; FIG. 8 is a top plan view of the combined bottle and cap of FIG. 6; FIG. 9 is a front elevational view of the combined bottle and cap of FIG. 6, with the rear elevational view being a mirror image thereof; and, FIG. 10 is a bottom plan view of the combined bottle and cap of FIG. 6.

**1 Claim, 2 Drawing Sheets**



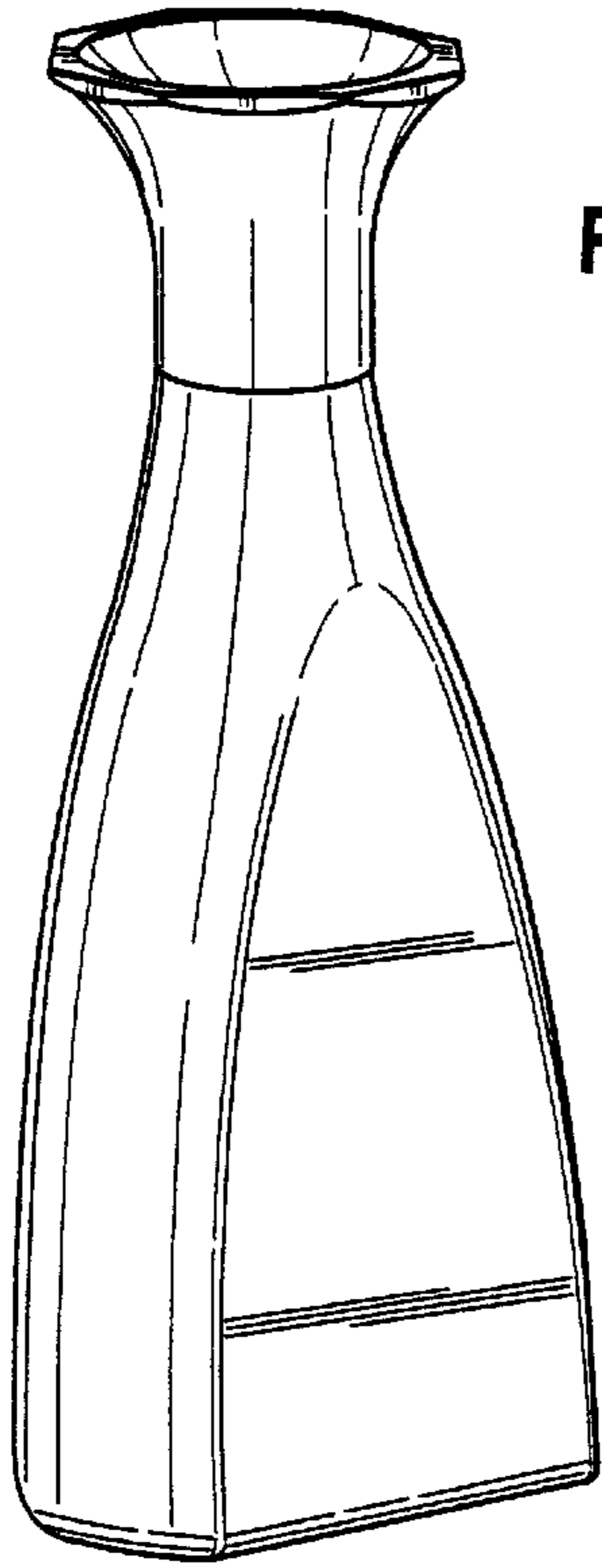


FIG. 1

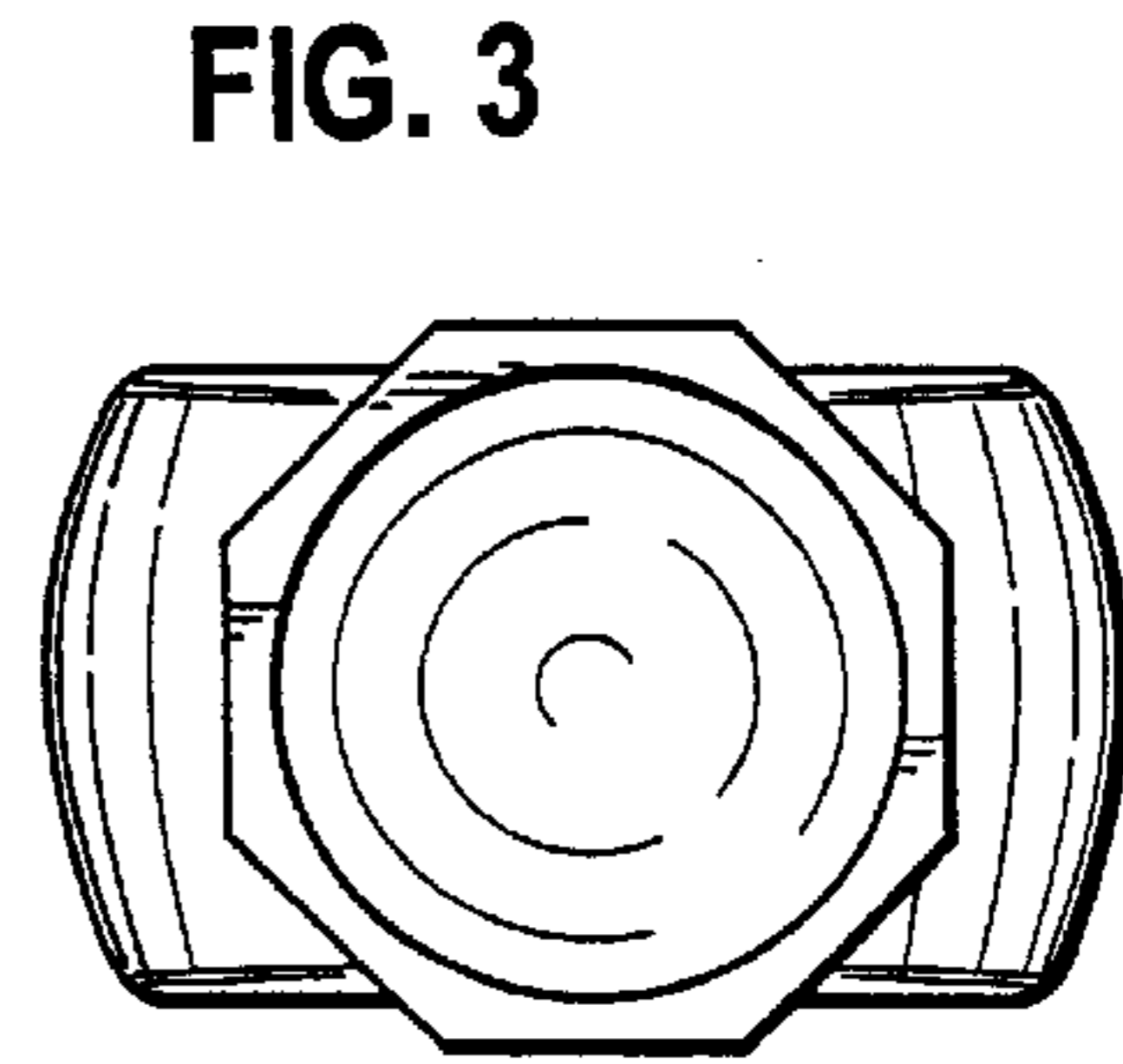


FIG. 3

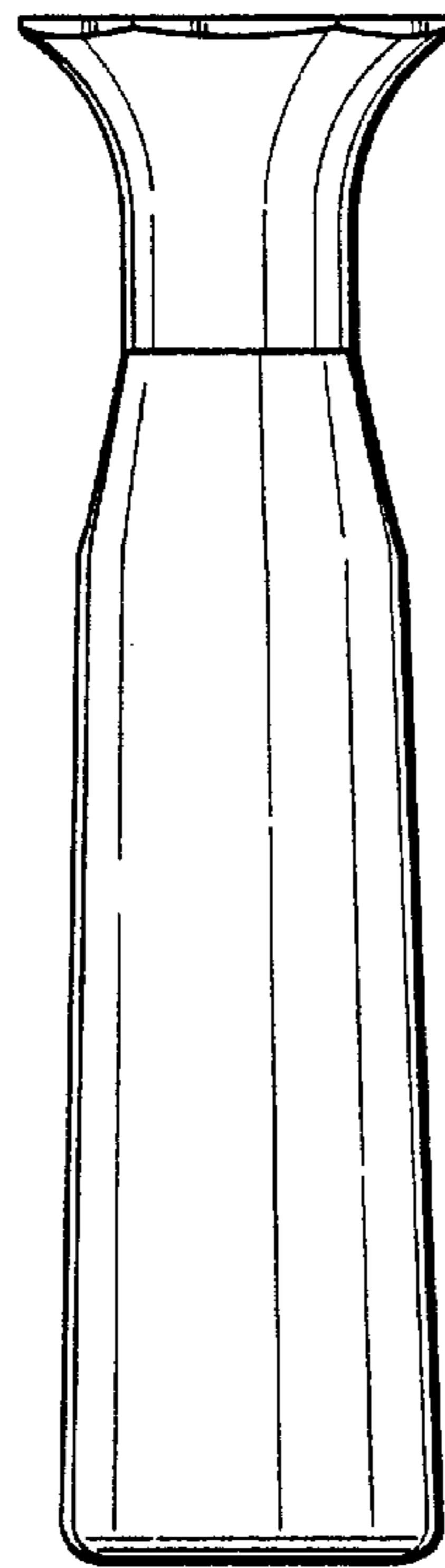


FIG. 2

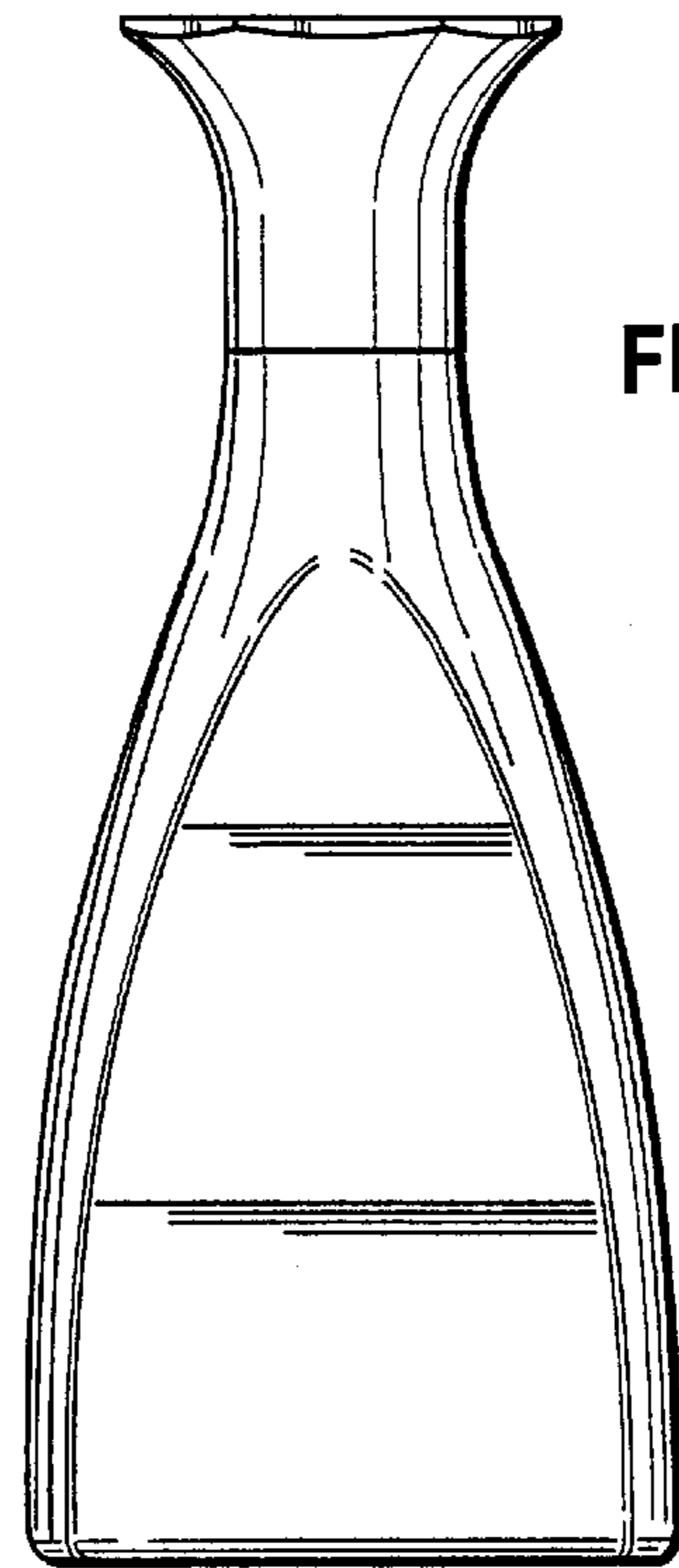


FIG. 4

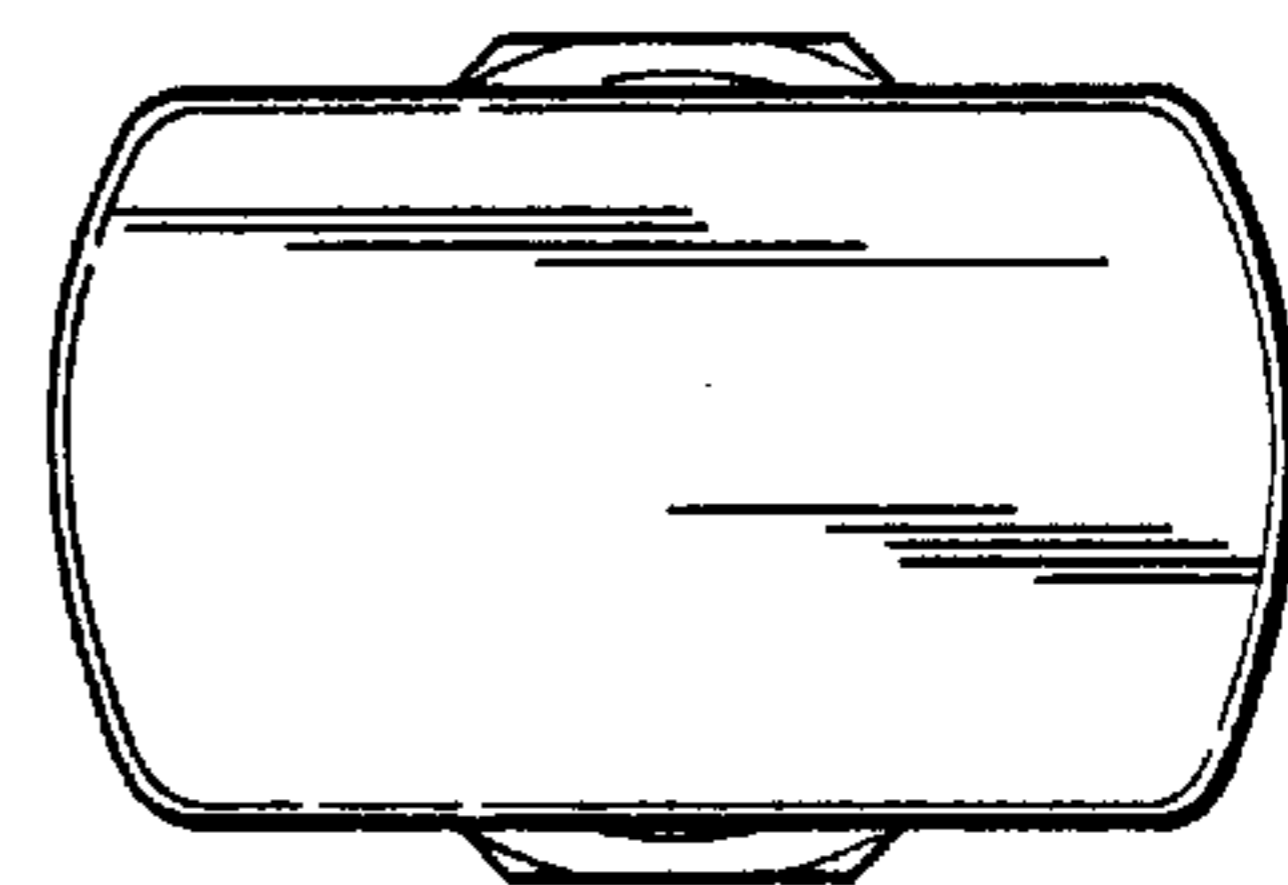


FIG. 5

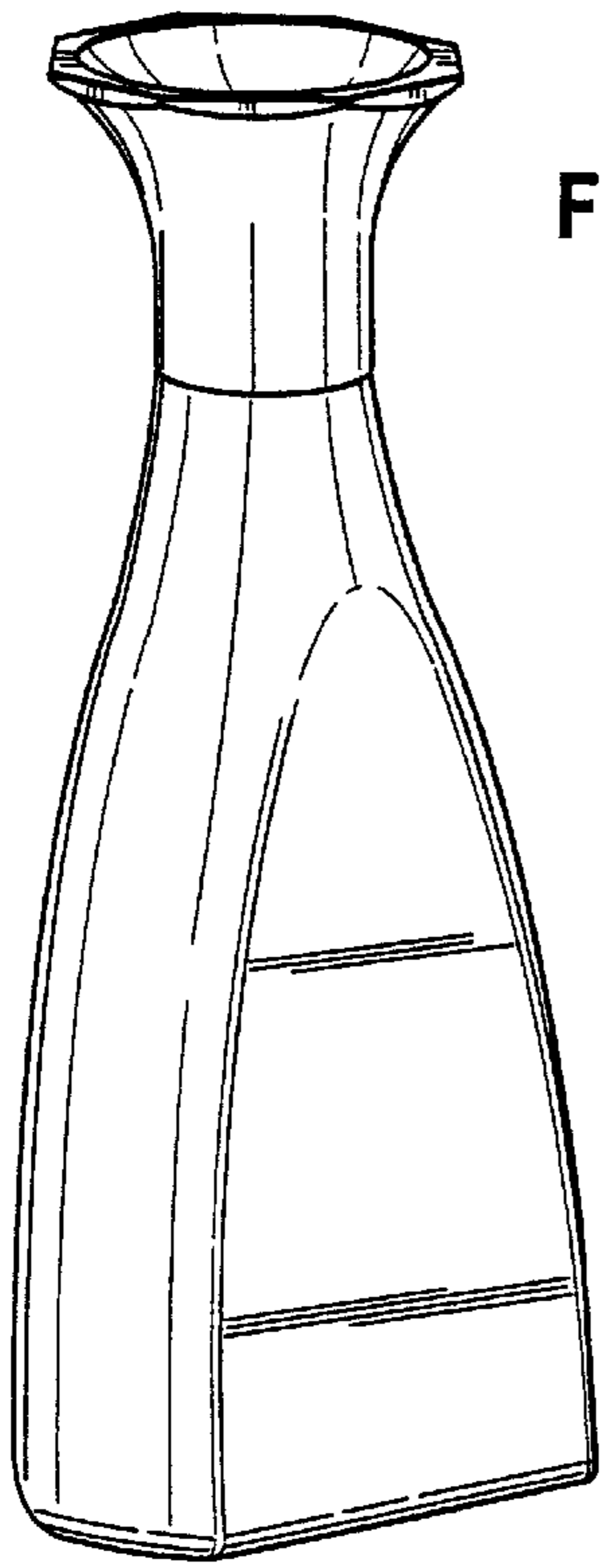


FIG. 6

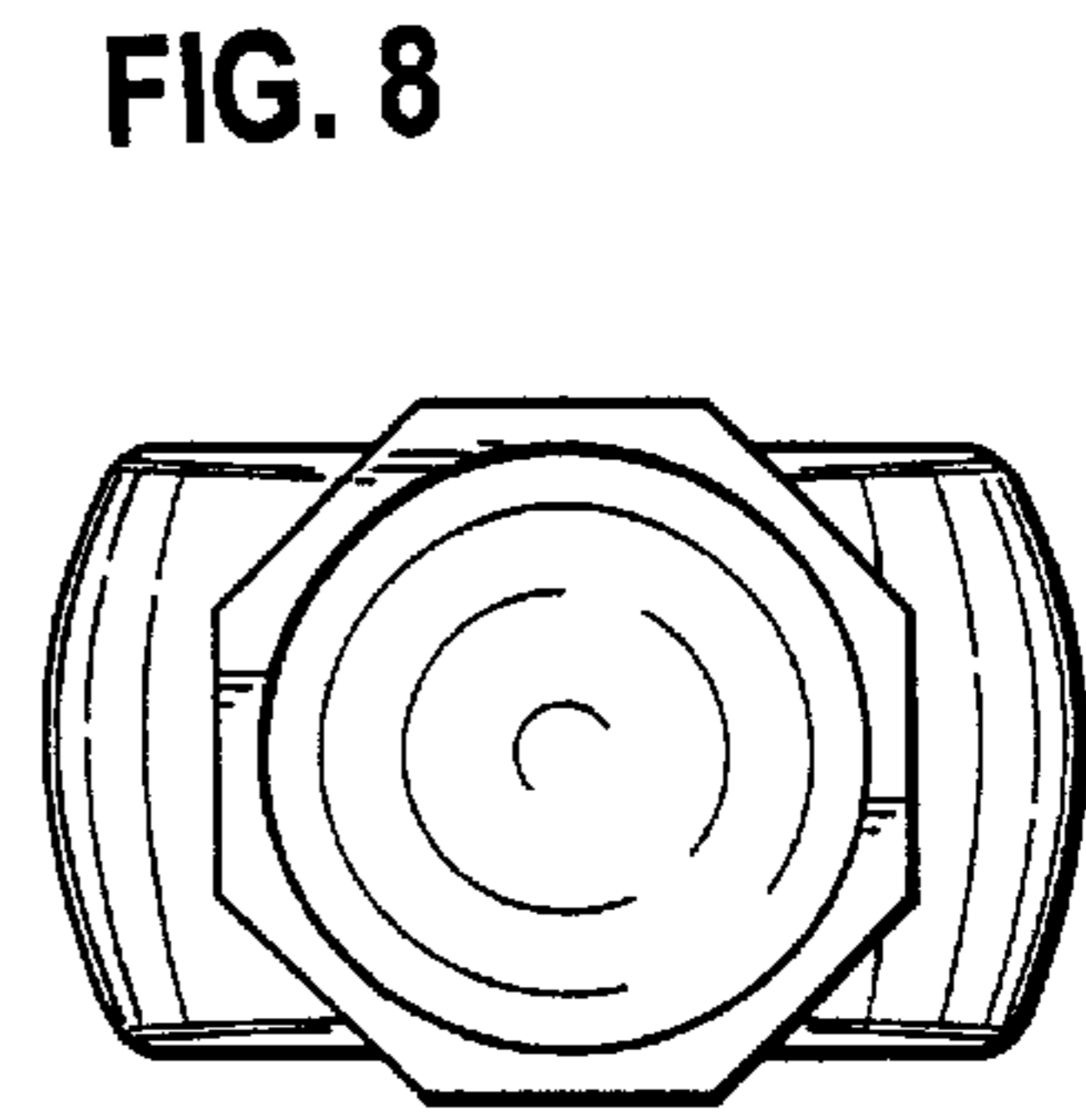


FIG. 8

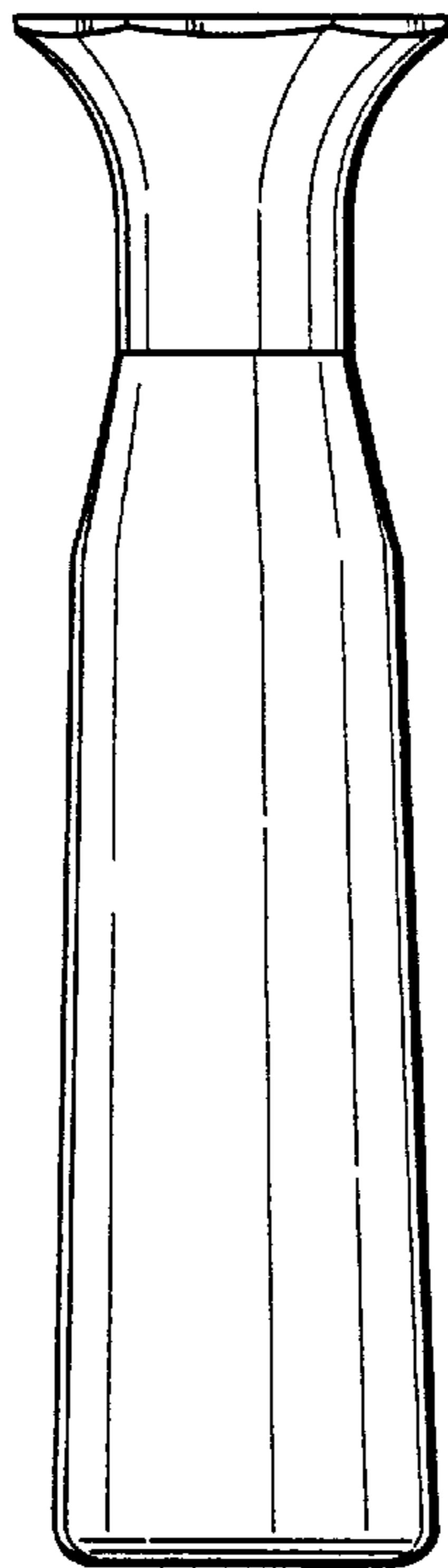


FIG. 7

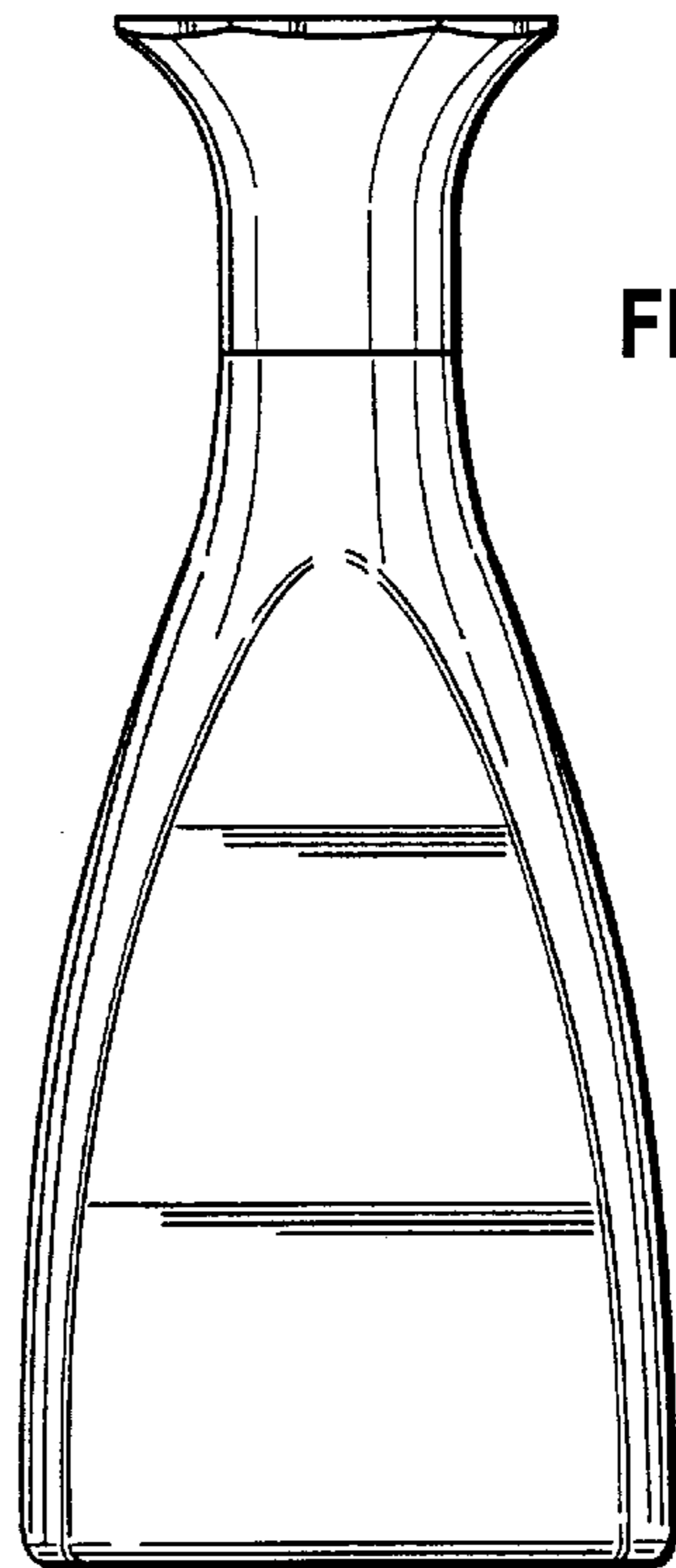


FIG. 9

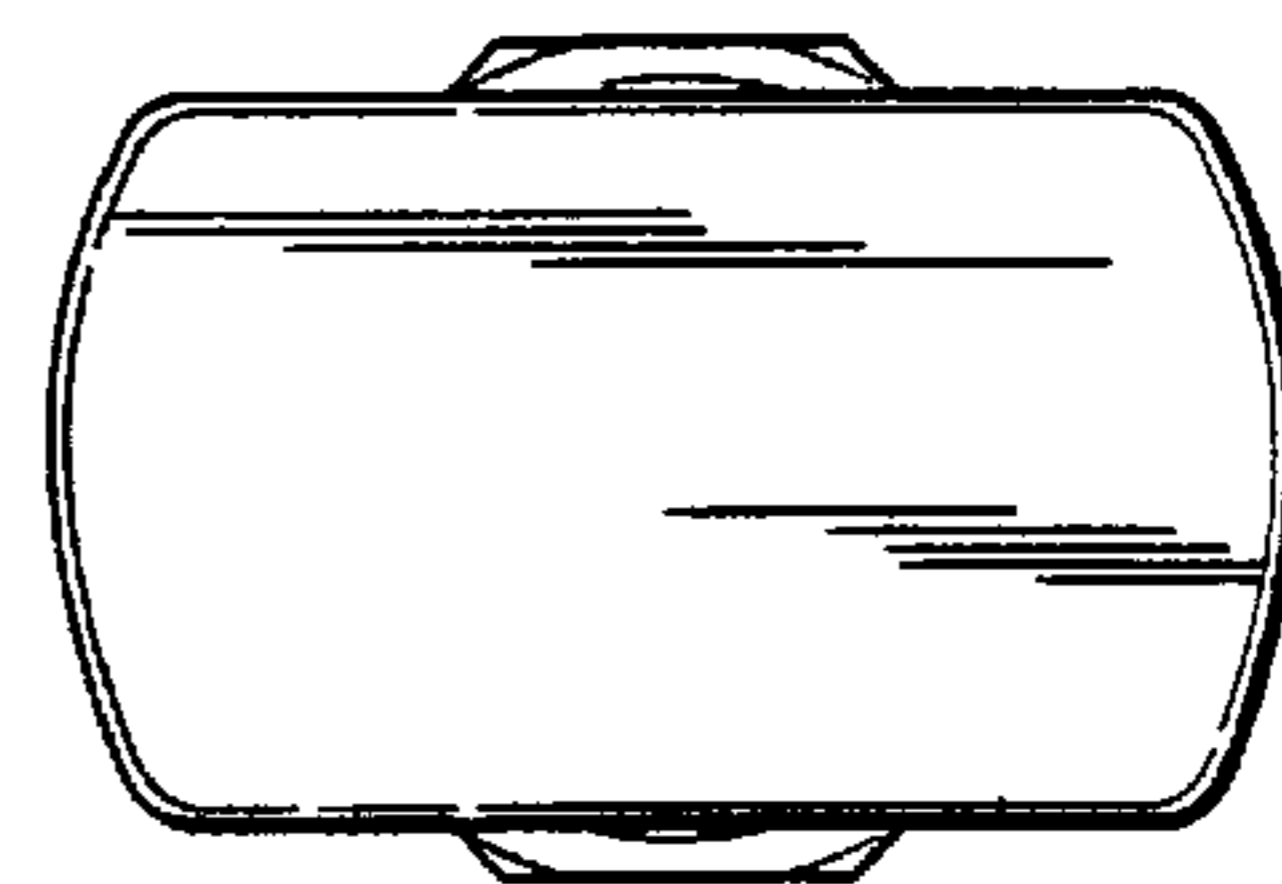


FIG. 10

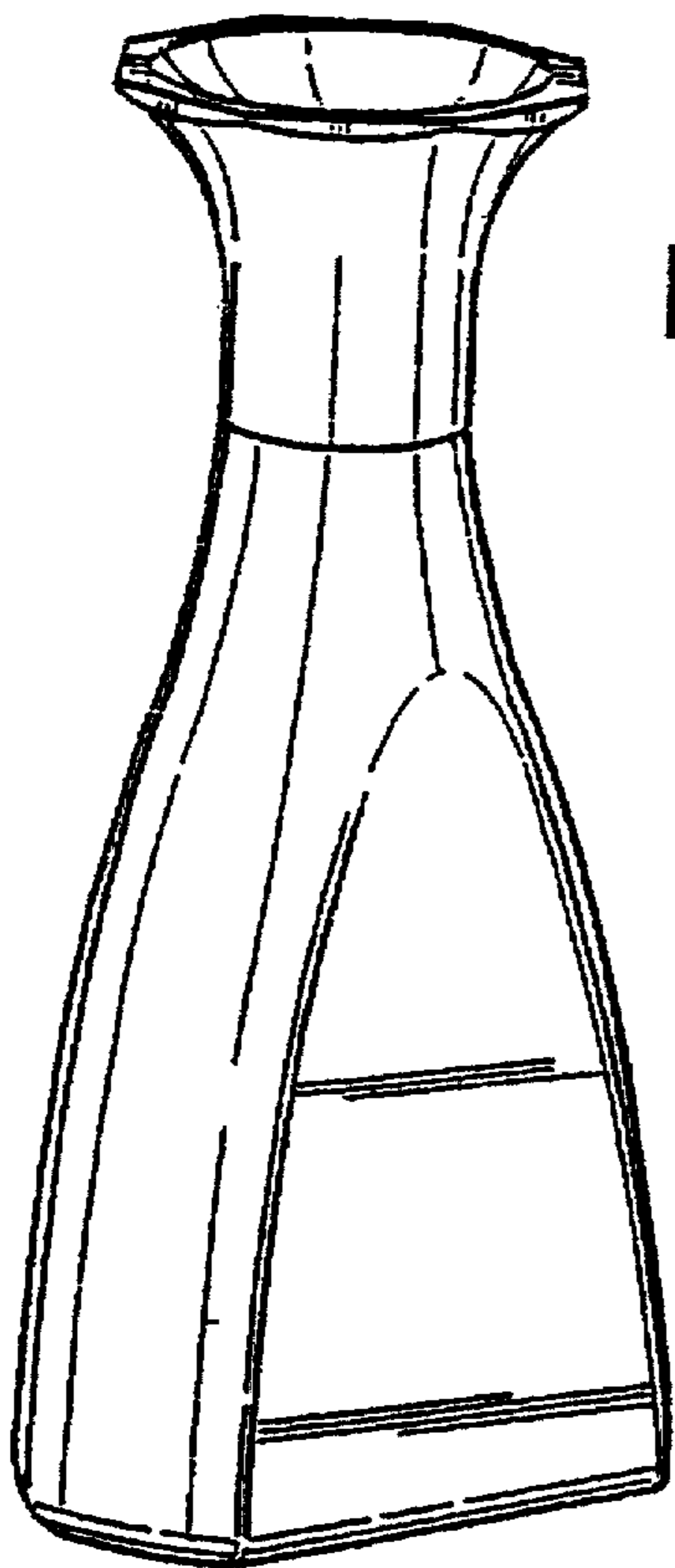
UNITED STATES PATENT AND TRADEMARK OFFICE  
**CERTIFICATE OF CORRECTION**

PATENT NO. : Des. 432,425  
DATED : October 24, 2000  
INVENTOR(S) : Robert Feigenbaum

Page 1 of 2

It is certified that error appears in the above-identified patent and that said Letters Patent is hereby corrected as shown below:

In the drawings, replace Figs. 1 and 2 with the one shown below.



**FIG. 1**



**FIG. 2**

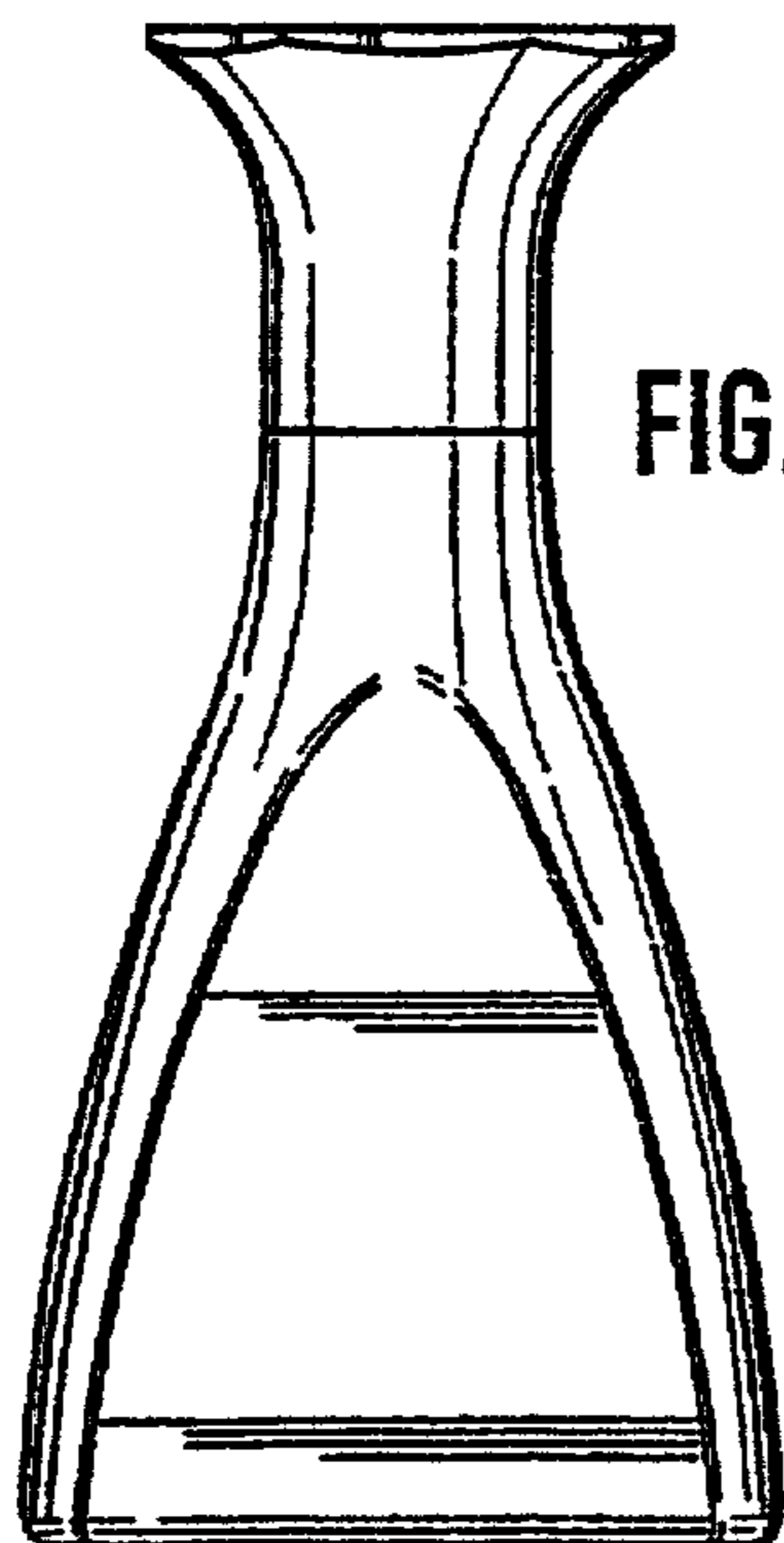
UNITED STATES PATENT AND TRADEMARK OFFICE  
**CERTIFICATE OF CORRECTION**

PATENT NO. : Des. 432,425  
DATED : October 24, 2000  
INVENTOR(S) : Robert Feigenbaum

Page 2 of 2

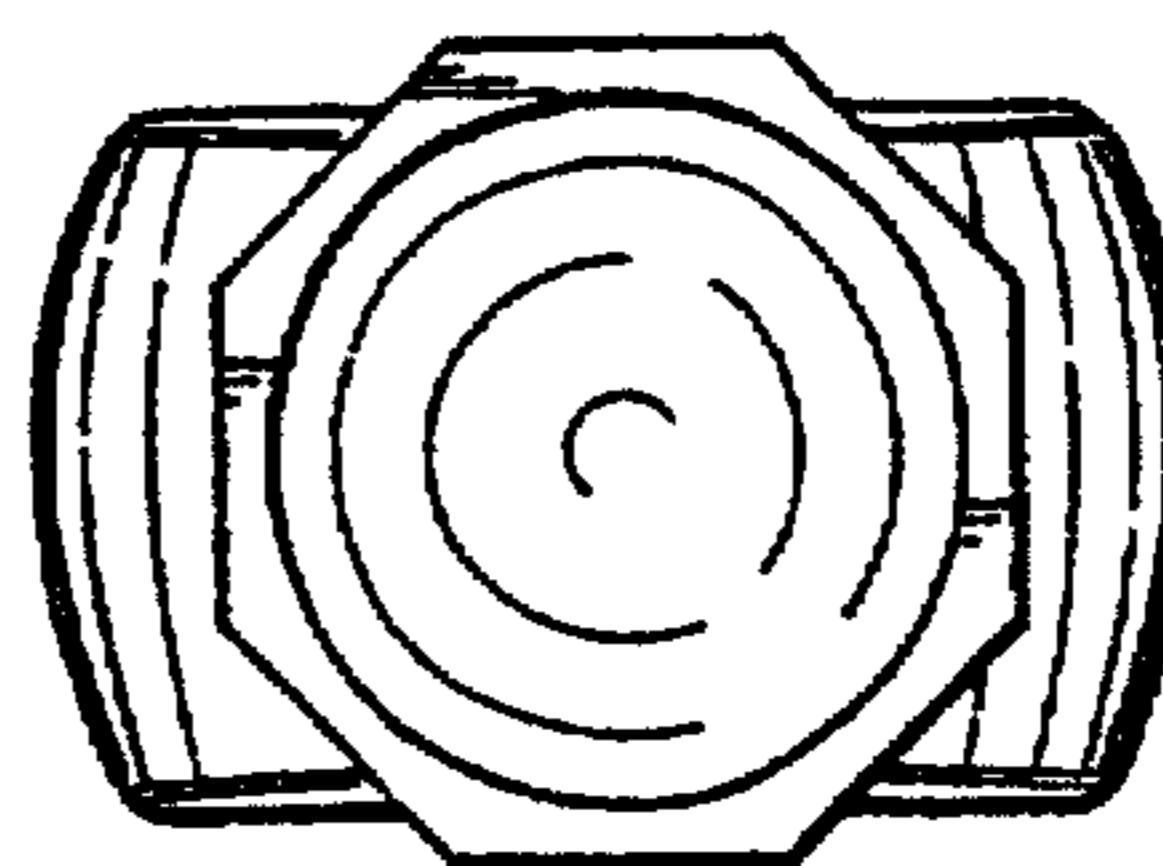
It is certified that error appears in the above-identified patent and that said Letters Patent is hereby corrected as shown below:

In the drawings, please replace Figs. 3-5 with the one shown below.

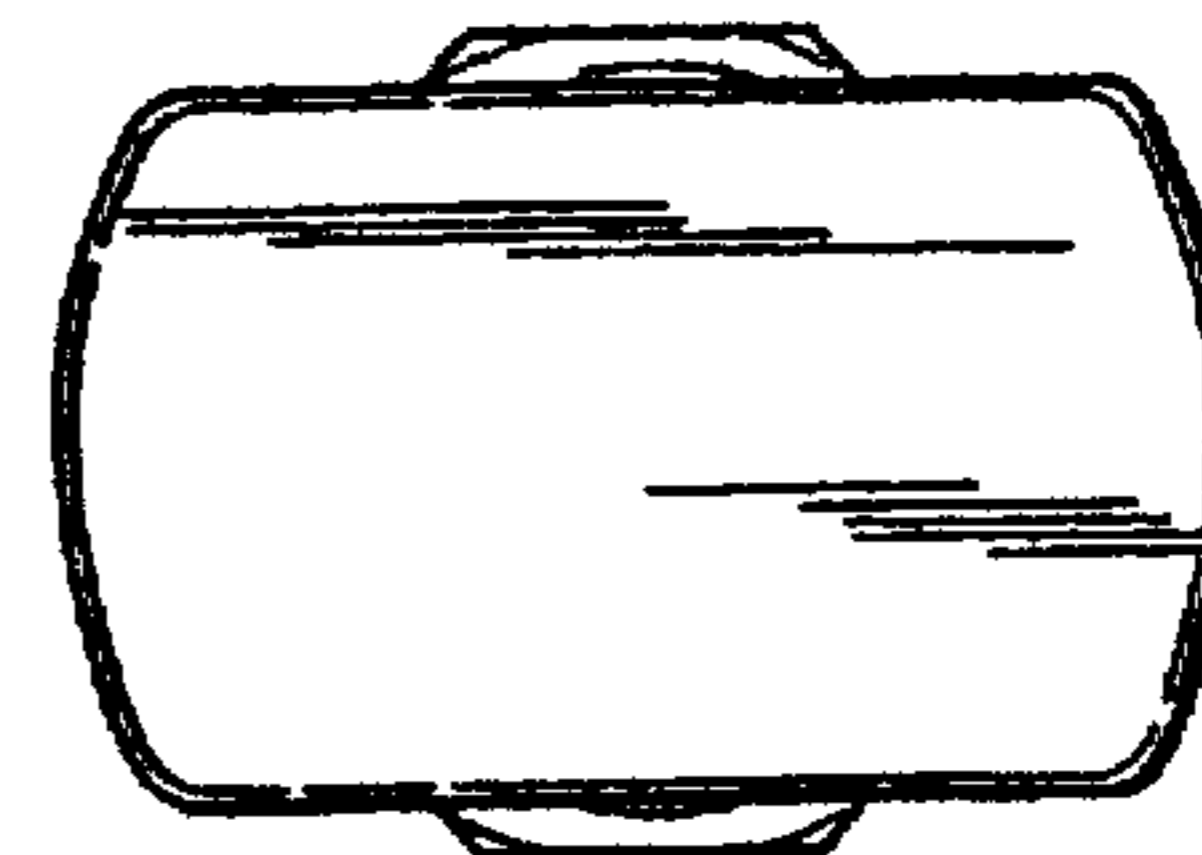


**FIG. 4**

**FIG. 3**



**FIG. 5**



Signed and Sealed this

Seventh Day of August, 2001

*Nicholas P. Godici*

*Attest:*

*Attesting Officer*

NICHOLAS P. GODICI  
*Acting Director of the United States Patent and Trademark Office*