



US00D432420S

# United States Patent [19] Zaksenberg

[11] **Patent Number: Des. 432,420**

[45] **Date of Patent: \*\* Oct. 24, 2000**

[54] **FIGURINE ATTACHED TO A DIP TUBE OF A CONTAINER**

[75] Inventor: **Issac Zaksenberg**, Scotch Plains, N.J.

[73] Assignee: **Colgate-Palmolive Company**, New York, N.Y.

[\*\*] Term: **14 Years**

[21] Appl. No.: **29/108,511**

[22] Filed: **Jul. 28, 1999**

[51] **LOC (7) Cl.** ..... **09-07**

[52] **U.S. Cl.** ..... **D9/434; D9/300; D9/308**

[58] **Field of Search** ..... D9/300, 301, 307, D9/310, 318, 336, 434, 441, 451; D7/300.2; D21/483, 561; 215/229, 388; 220/212, 705, 707; 222/78; 239/33, 211

[56] **References Cited**

**U.S. PATENT DOCUMENTS**

D. 198,857	8/1964	Rabin	.....	D21/600
D. 305,872	2/1990	Garcia	.....	D9/448
D. 338,618	8/1993	Berkeley	.....	D9/311
D. 346,327	4/1994	Berkeley	.....	D9/311
D. 392,148	3/1998	Lewis	.....	D7/300.2
D. 421,904	3/2000	Zaksenberg	.....	D9/434

D. 421,905	3/2000	Zaksenberg	.....	D9/434
D. 422,212	4/2000	Zaksenberg	.....	D9/434
D. 422,910	4/2000	Zaksenberg	.....	D9/434
D. 423,351	4/2000	Zaksenberg	.....	D9/434
D. 423,352	4/2000	Zaksenberg	.....	D9/434
5,915,600	6/1999	Bitton	.....	222/78 X

*Primary Examiner*—Robert M. Spear  
*Attorney, Agent, or Firm*—Michael McGreal

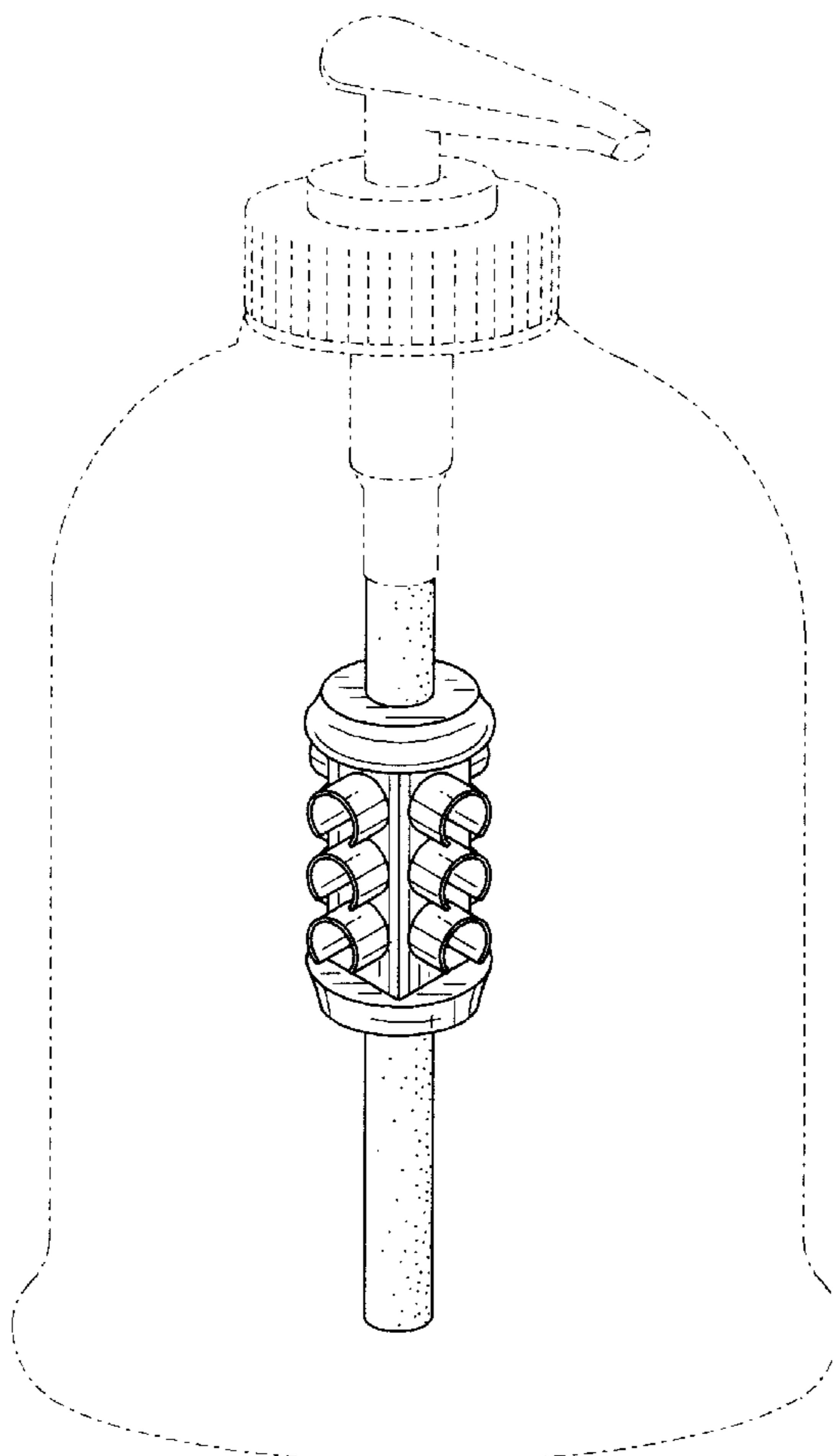
[57] **CLAIM**

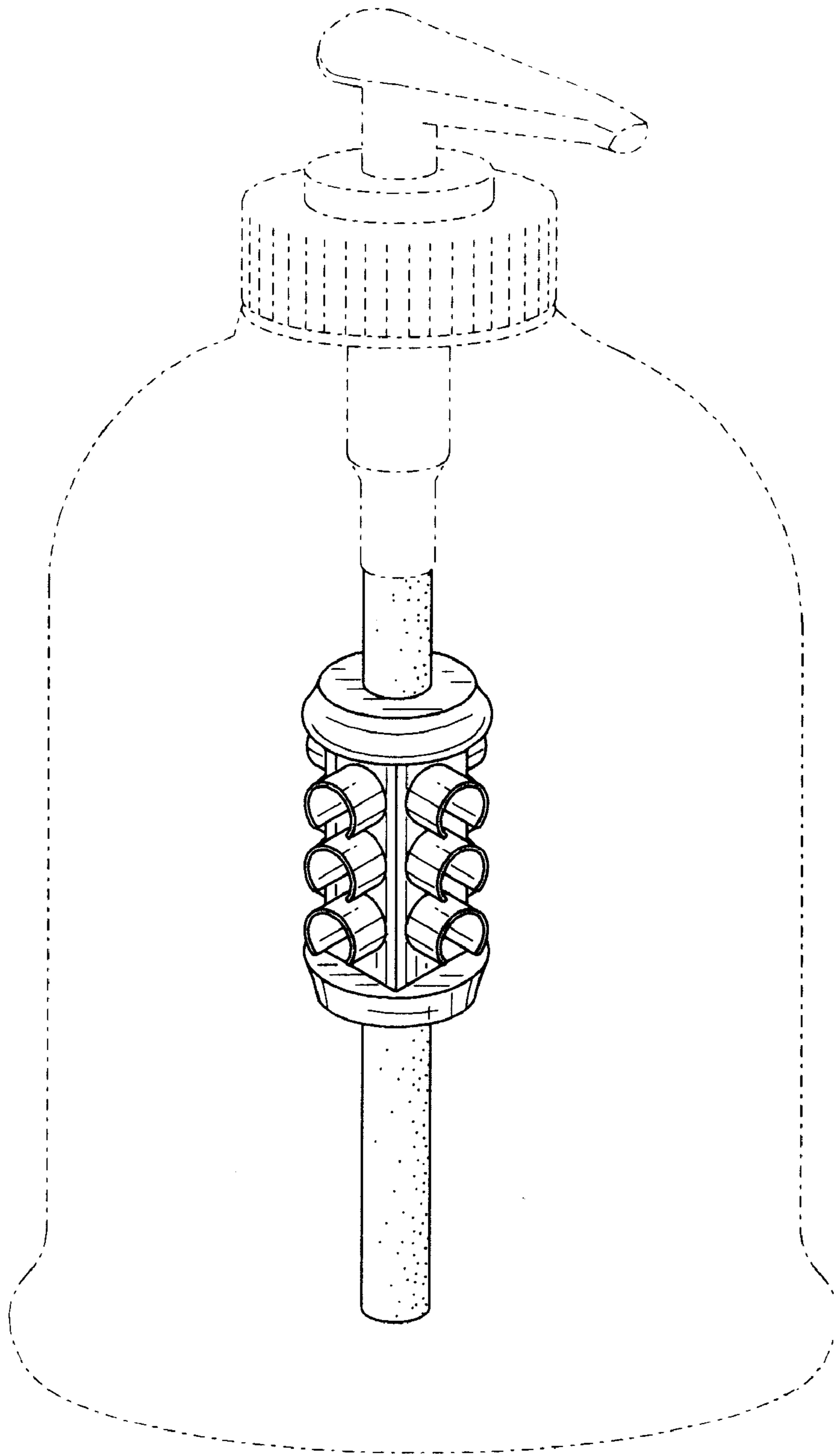
The ornamental design for a figurine attached to a dip tube of a container, as shown and described.

**DESCRIPTION**

FIG. 1 is a perspective view of the figurine of a traffic light of my design attached to a dip tube of a container.  
FIG. 2 is a left side elevation view thereof.  
FIG. 3 is a right side elevation view thereof.  
FIG. 4 is a top plan view thereof.  
FIG. 5 is a bottom elevation view thereof; and,  
FIG. 6 is a front elevation view thereof, the rear elevational view being a mirror image thereof.  
The broken line showing of a container and pump is for illustrative purposes only and forms no part of the claimed design.

**1 Claim, 3 Drawing Sheets**





**FIG. 1**

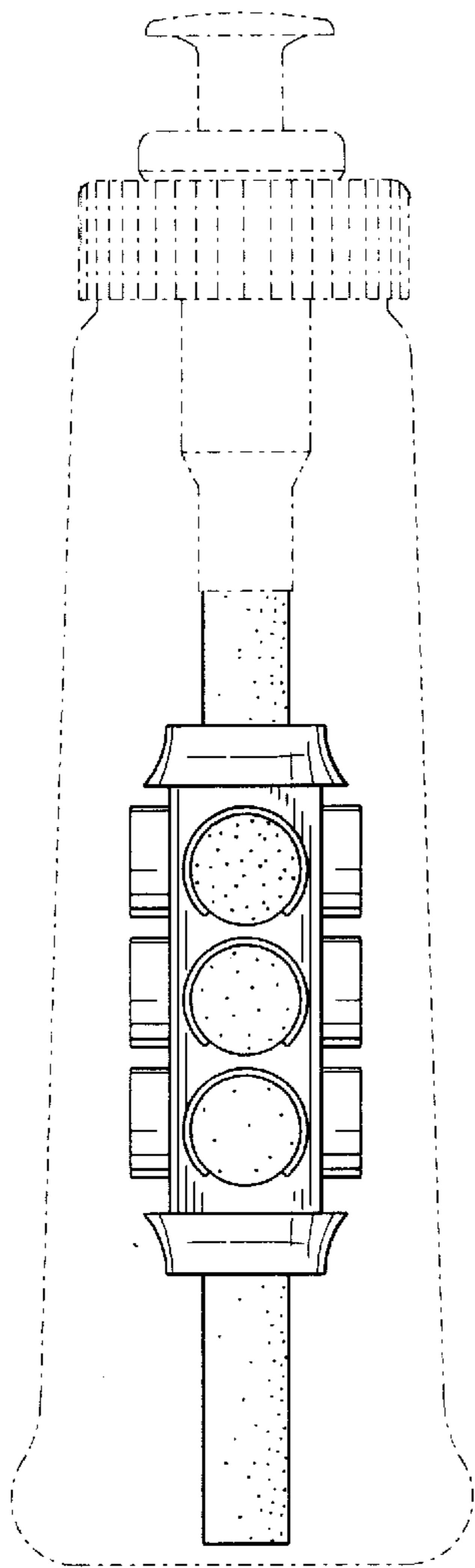


FIG. 2

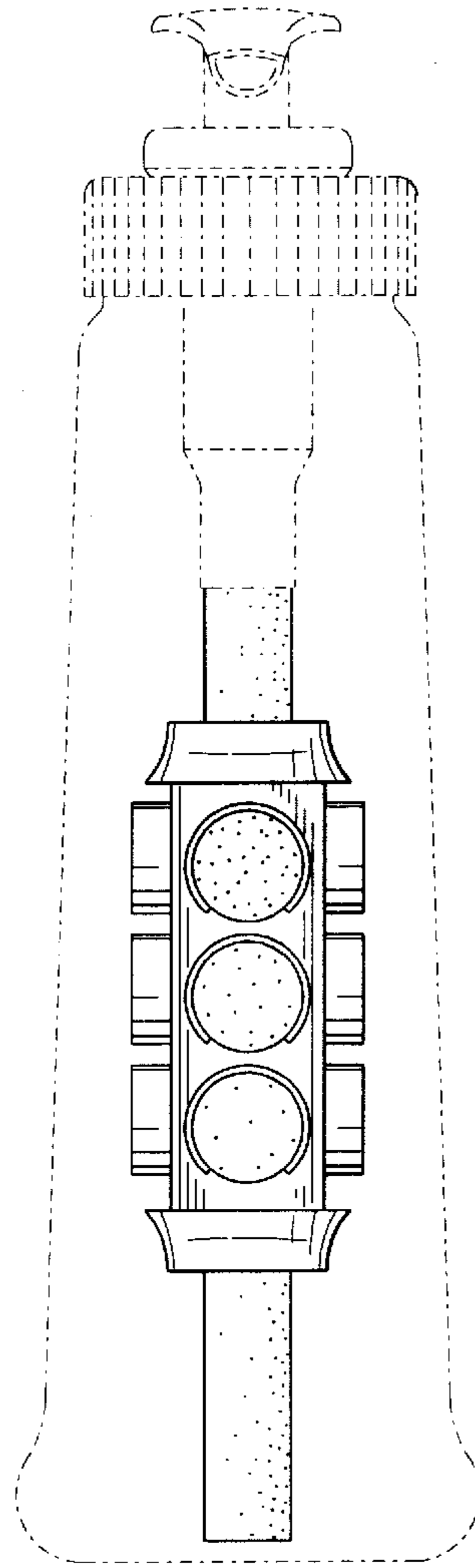


FIG. 3

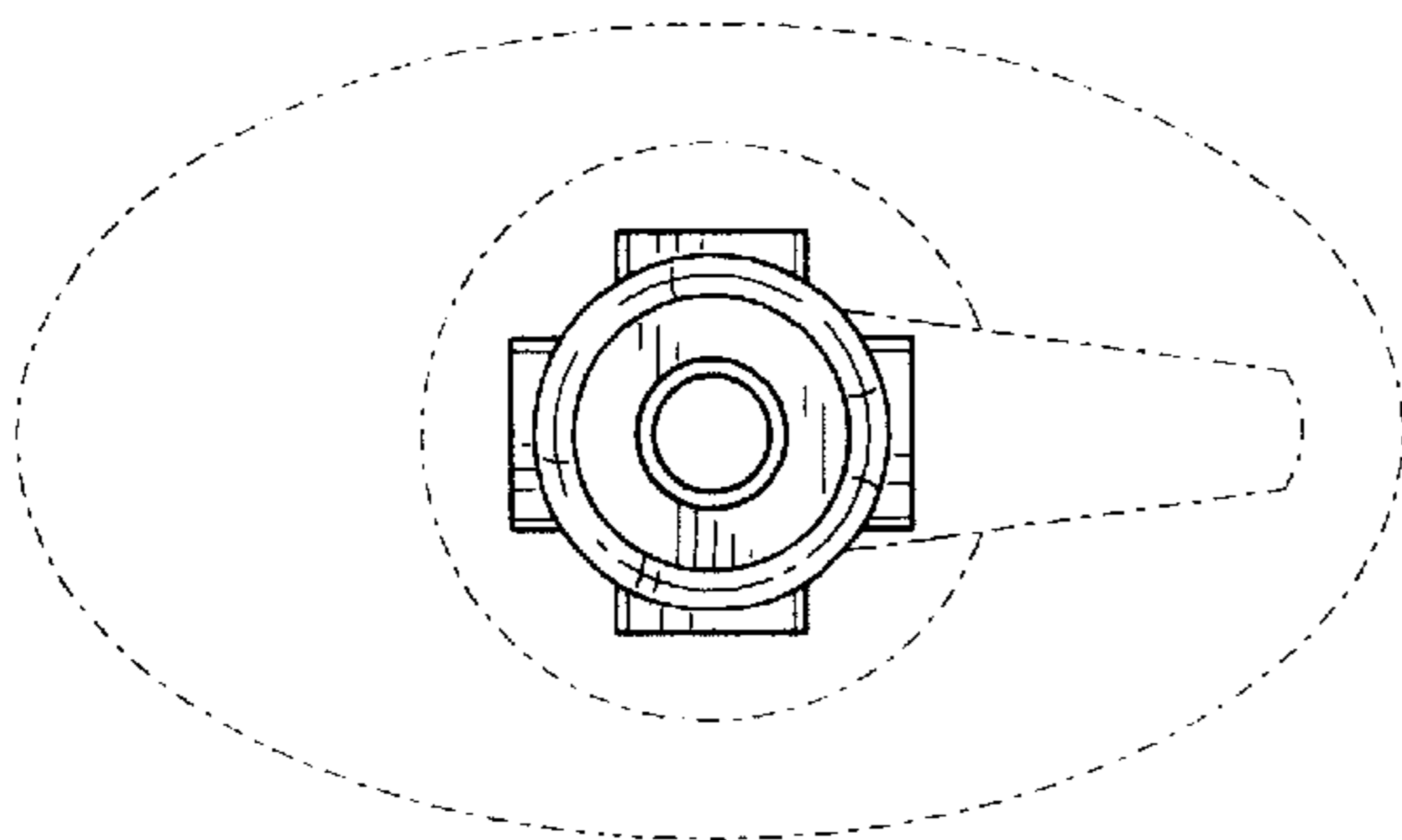


FIG. 4

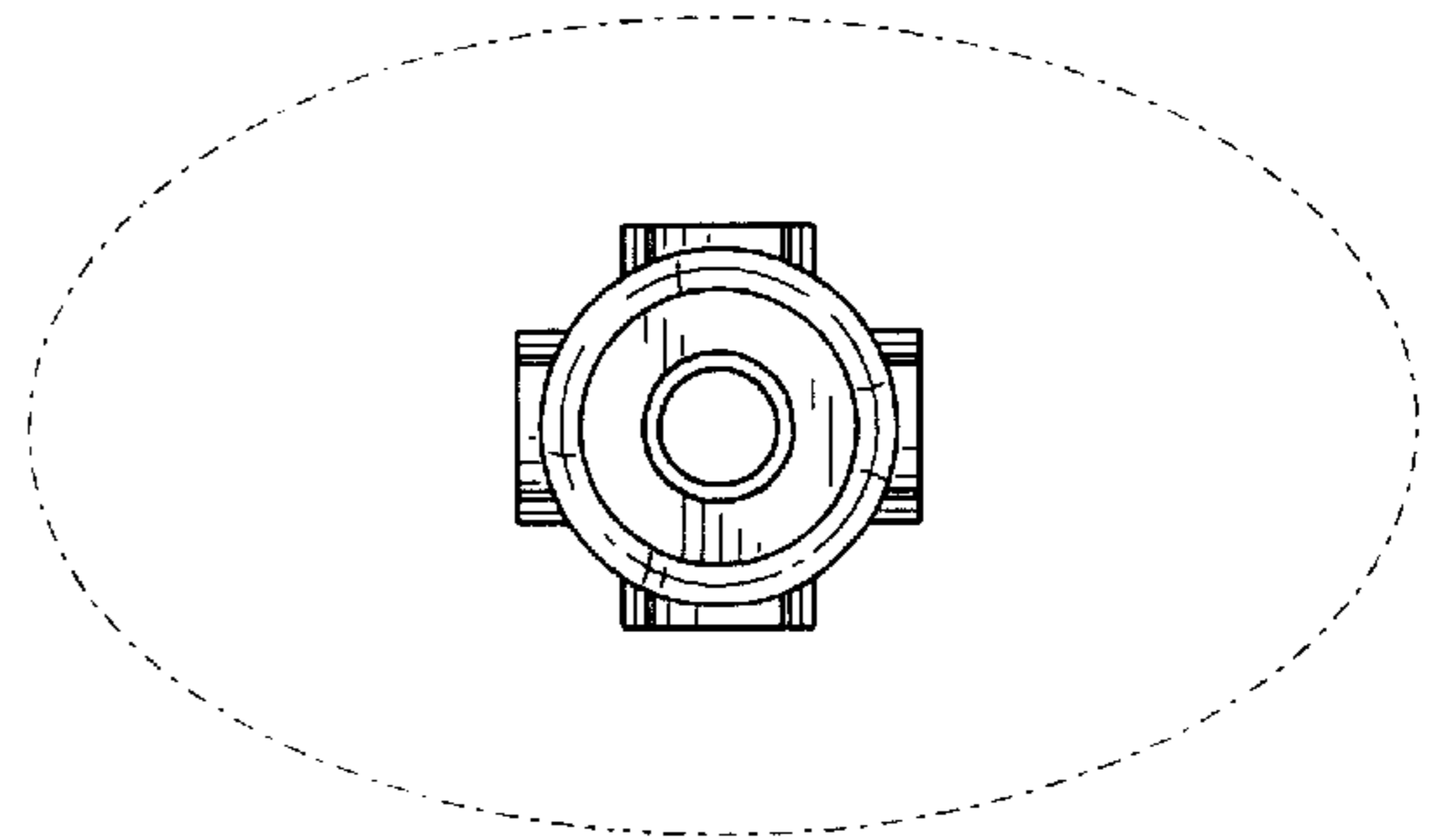
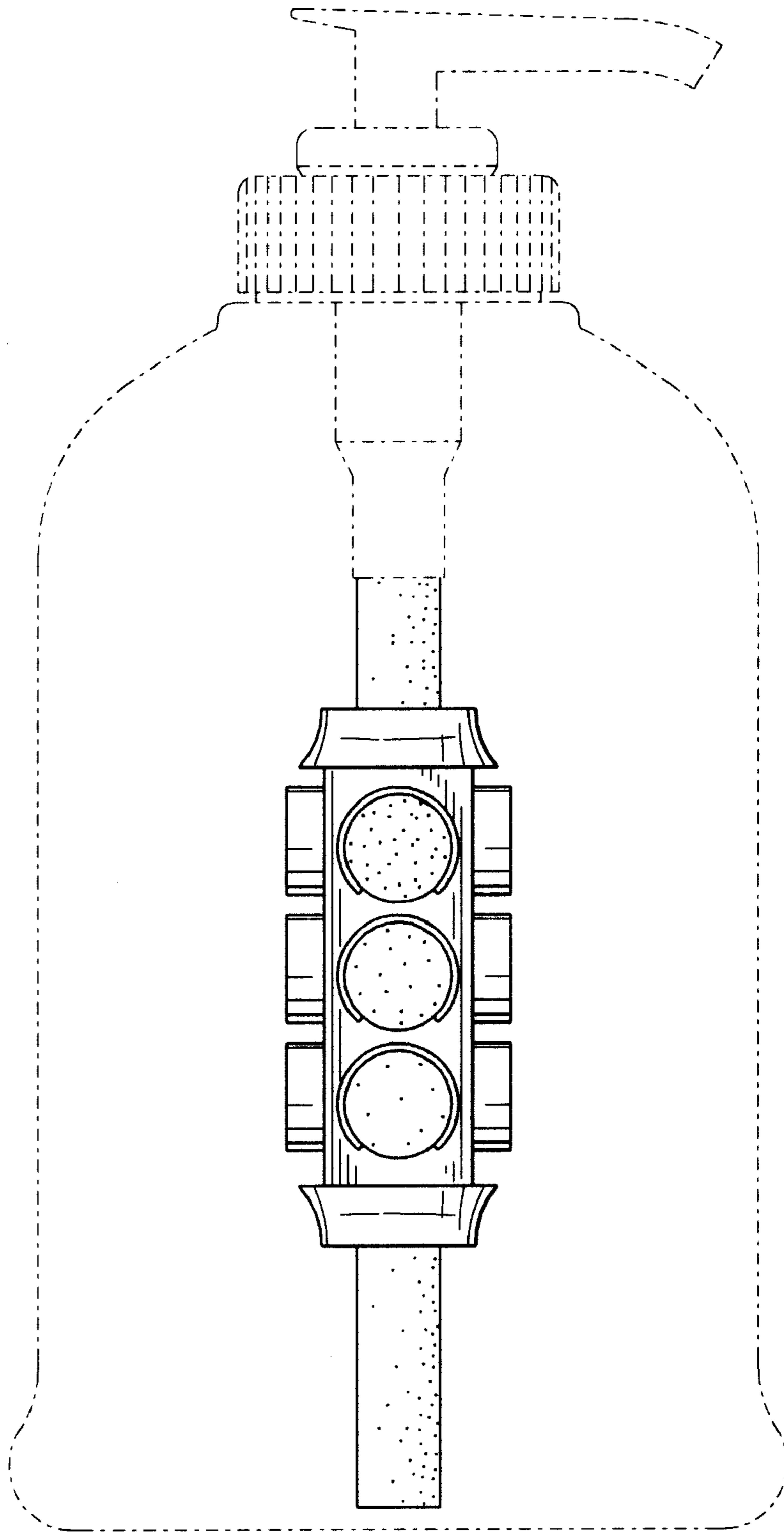


FIG. 5



**FIG. 6**