



US00D432414S

United States Patent [19] Simpson et al.

[11] **Patent Number: Des. 432,414**

[45] **Date of Patent: ** Oct. 24, 2000**

[54] **MICROWAVE TRAY AND PAPERBOARD SLEEVE**

4,769,262 9/1988 Ferrar et al. 426/100
4,935,252 6/1990 Huang et al. 426/107
5,747,084 5/1998 Cochran et al. 206/541 X

[75] Inventors: **Rodney J. Simpson**, New Albany;
Michael Wellner, Pickerington; **Nils Classen**, Dublin, all of Ohio

OTHER PUBLICATIONS

Packaging Catalog, p. 15, Jan. 1940.
Packaging Corporation of America, Brochure, Jan. 1940.

[73] Assignee: **Borden Foods Corporation**, Columbus, Ohio

Primary Examiner—Prabhakar Deshmukh
Attorney, Agent, or Firm—Mueller and Smith LPA

[**] Term: **14 Years**

[21] Appl. No.: **29/116,059**

[57] CLAIM

The ornamental design for a microwave tray and paperboard sleeve, as shown and described.

[22] Filed: **Dec. 23, 1999**

DESCRIPTION

[51] **LOC (7) Cl.** **09-07**

[52] **U.S. Cl.** **D9/418**

[58] **Field of Search** D9/414, 415, 418,
D9/432, 456, 341, 346, 305; 206/541, 395,
396, 397, 398, 769, 775-783, 594, 524.3,
784; 220/556, 427, 529, 544, 254; 229/220,
87.08, 87.18, 103.2; 426/100-120

FIG. 1 is a perspective view of the microwave tray and paperboard sleeve;
FIG. 2 is a right side view of the microwave tray and paperboard sleeve;
FIG. 3 is a top view of the microwave tray and paperboard sleeve;
FIG. 4 is an end view of the microwave tray and paperboard sleeve;
FIG. 5 is a left side view of the microwave tray and paperboard sleeve; and,
FIG. 6 is a bottom view of the microwave tray and paperboard sleeve.

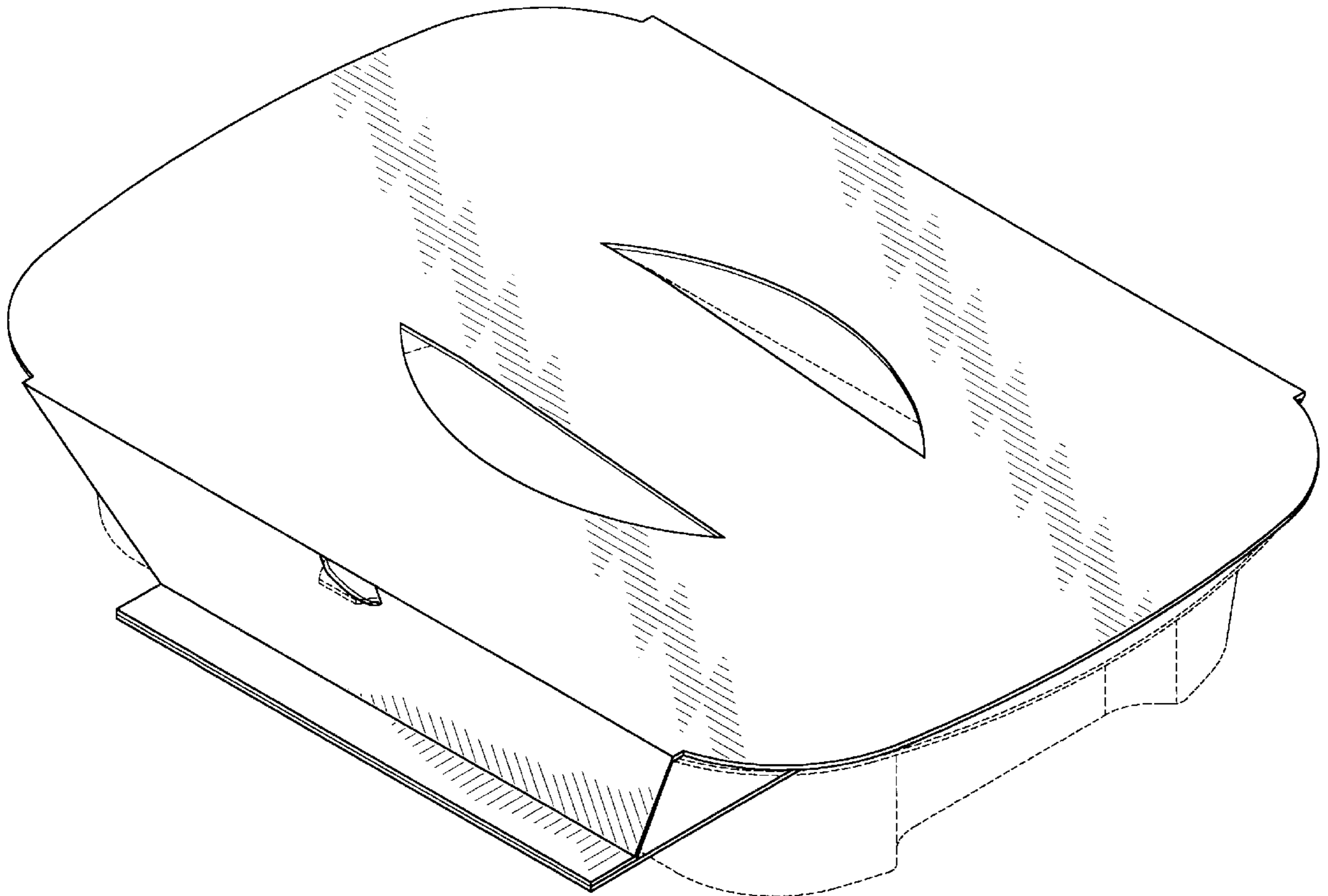
[56] References Cited

U.S. PATENT DOCUMENTS

D. 252,258 7/1979 Roccafirte D9/418
D. 305,204 12/1989 Relfin et al. D9/418
D. 335,442 5/1993 Detert et al. D9/418
D. 337,048 7/1993 Detert et al. D9/418
D. 381,264 7/1997 Lippincott D9/347 X
3,415,663 12/1968 Raschke et al. 426/126 X
4,590,078 5/1986 Umina 426/113

The broken line showing of microwave tray is for illustrative purpose only and forms no part of the claimed design.

1 Claim, 3 Drawing Sheets



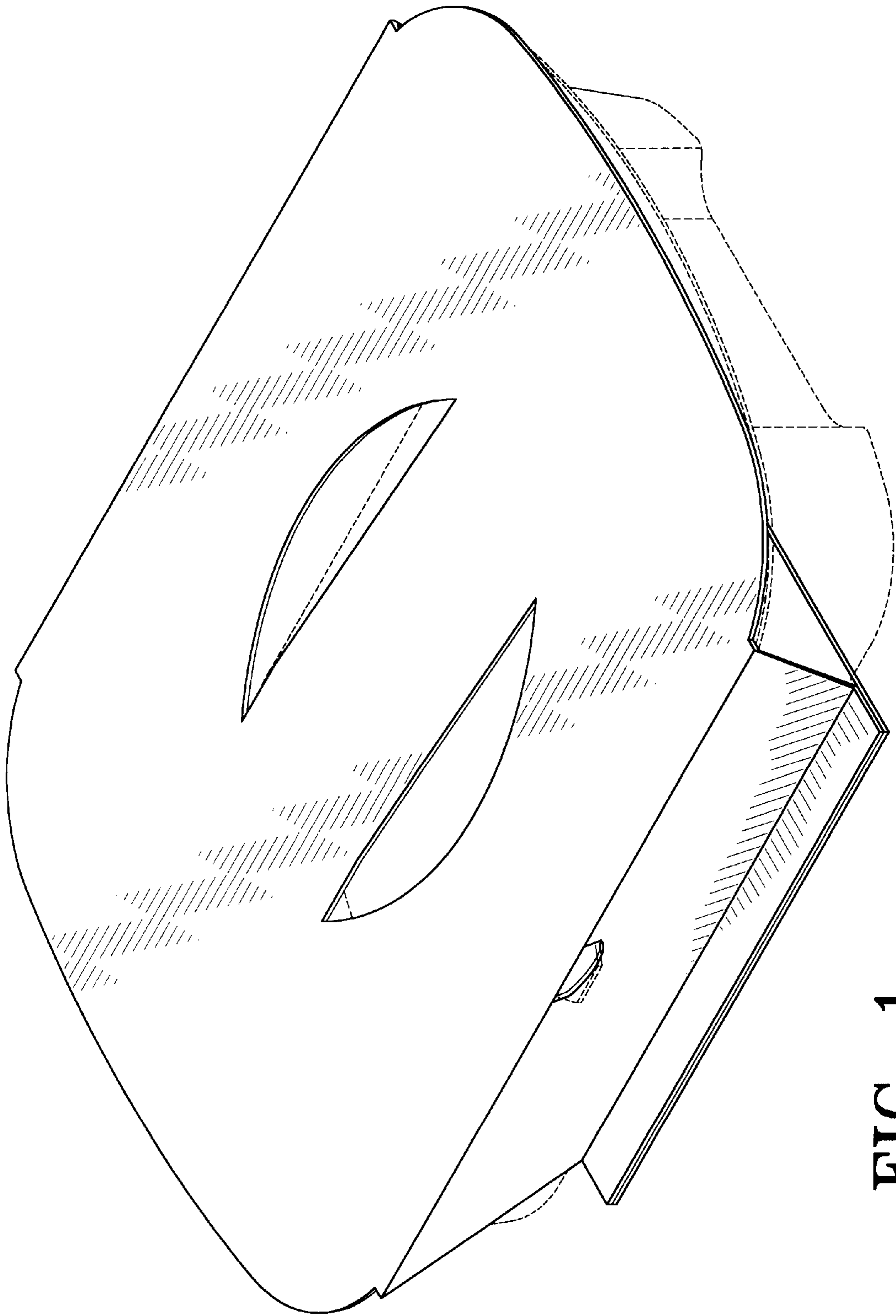


FIG-1

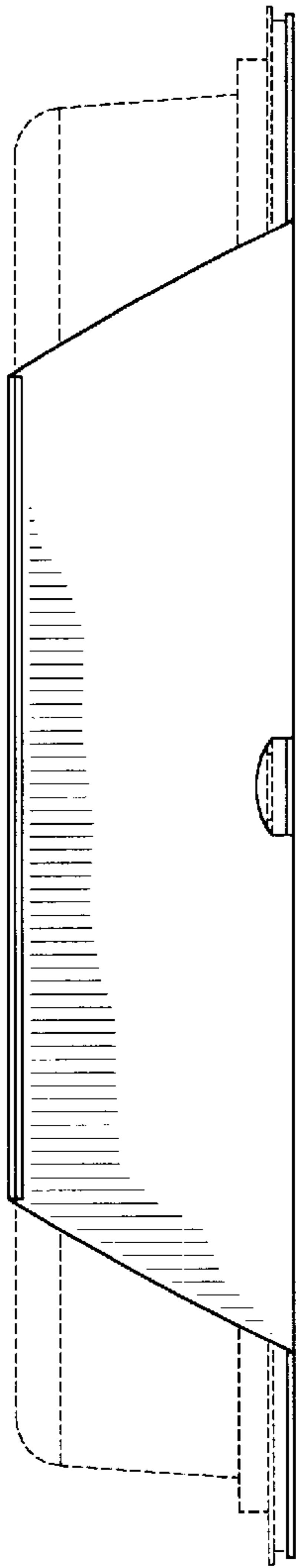


FIG-2

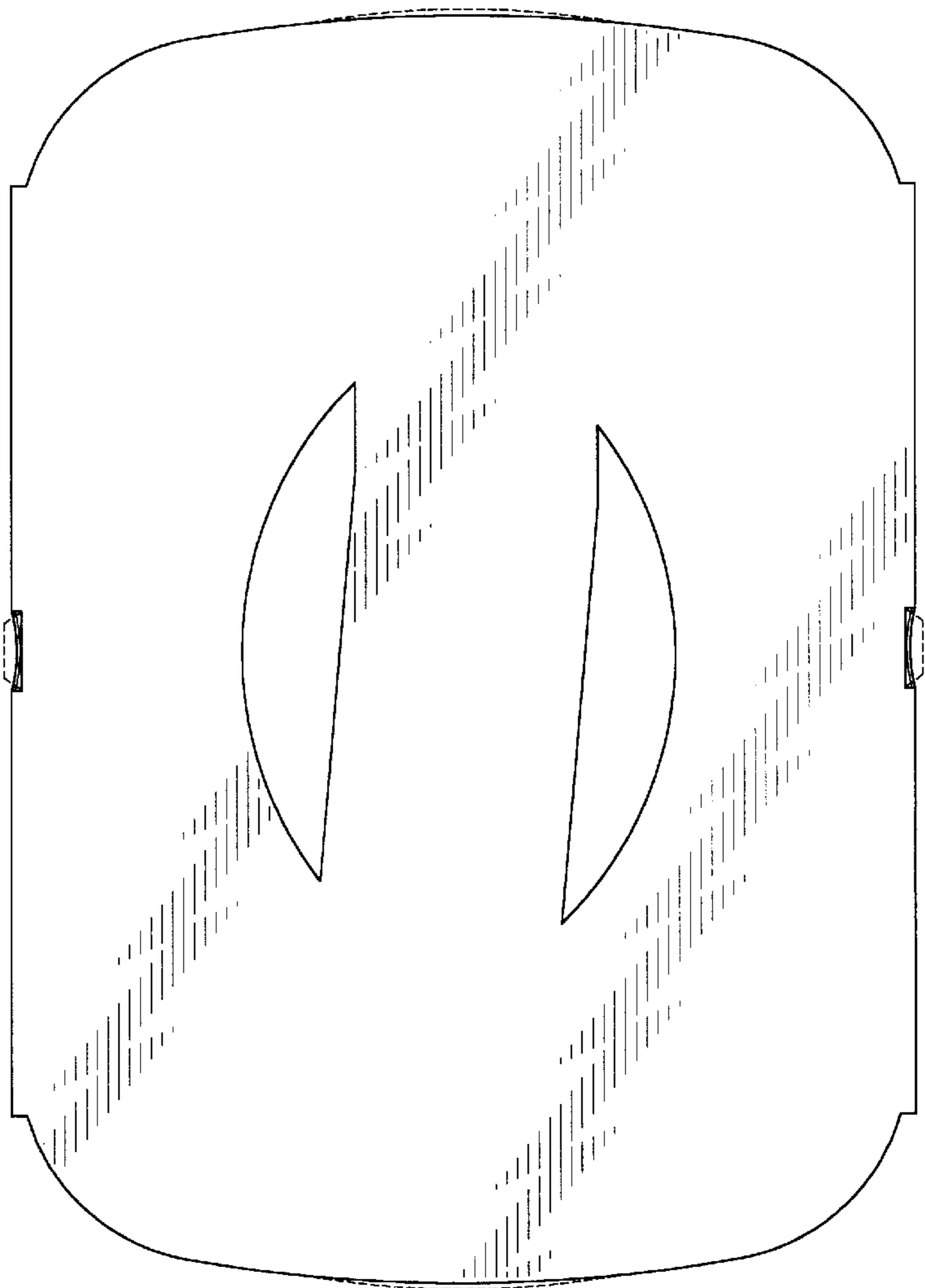


FIG-3

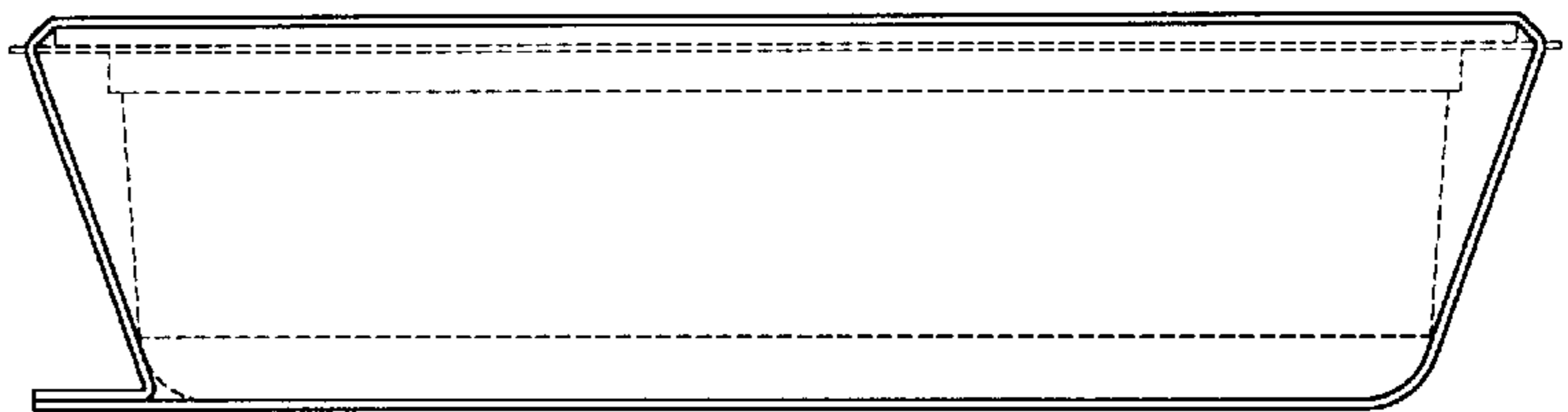


FIG-4

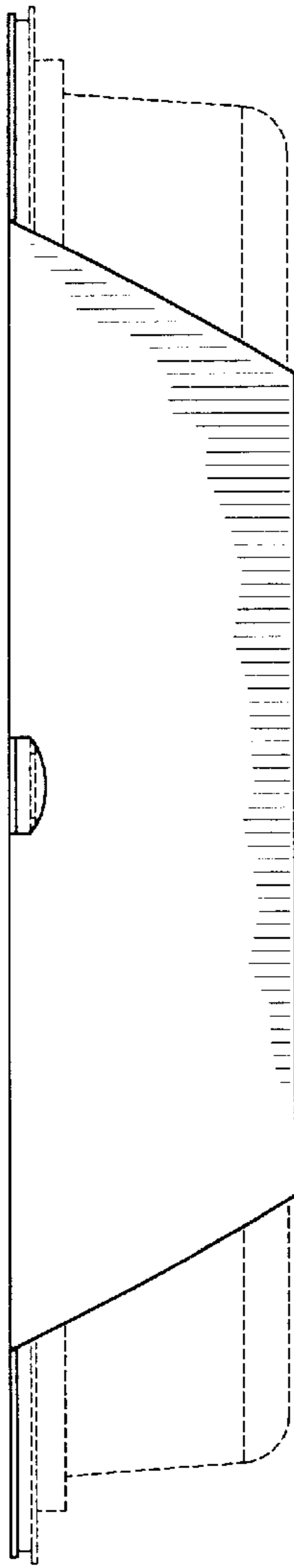


FIG-5

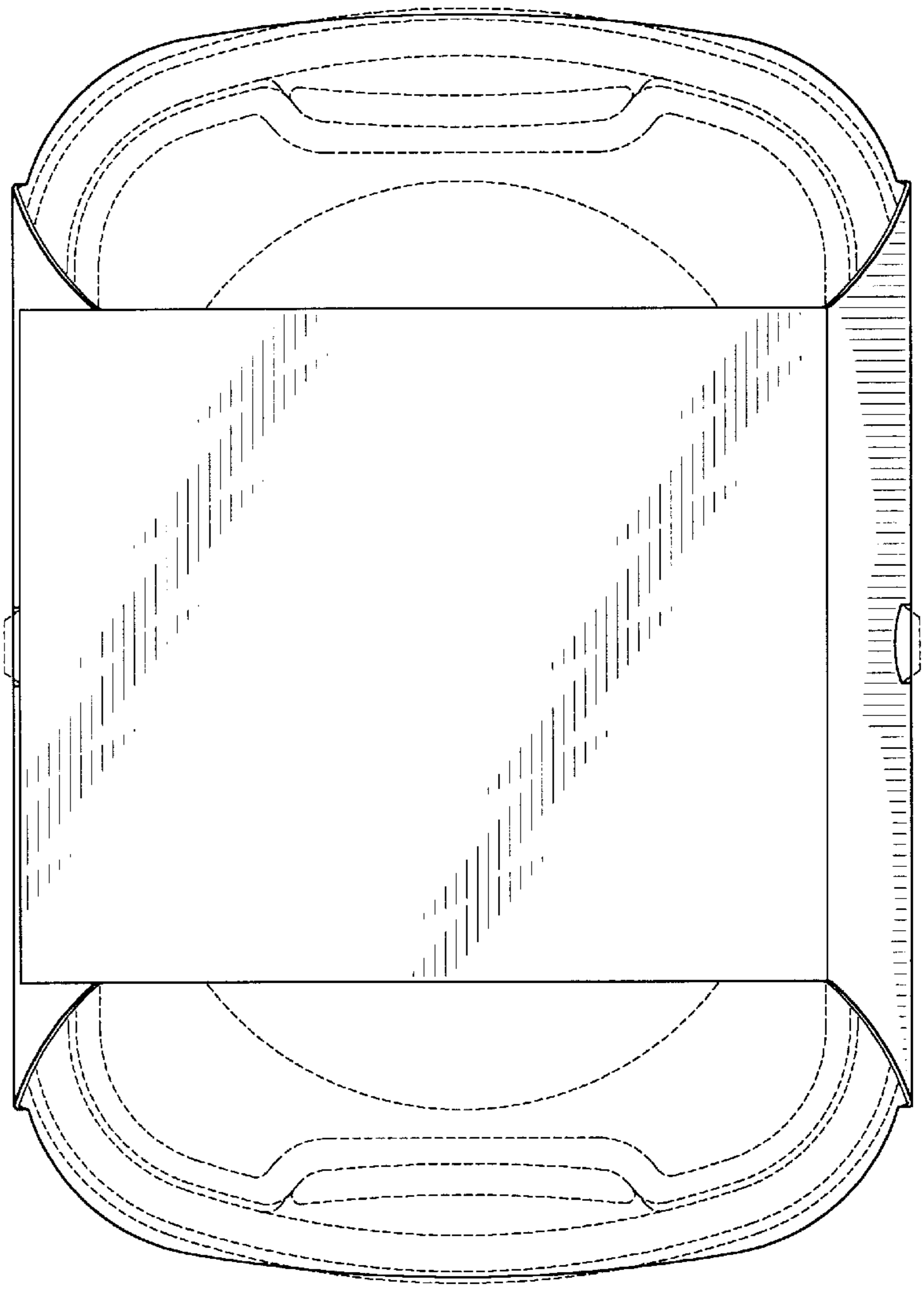


FIG-6