



US00D432410S

**United States Patent** [19]  
**Schwartz**

[11] **Patent Number: Des. 432,410**  
[45] **Date of Patent: \*\* Oct. 24, 2000**

[54] **CLAM SHELL PACKAGING**

[75] Inventor: **Mark Schwartz**, Moreland, Ohio

[73] Assignee: **G & S Metal Products Company, Inc.**, Cleveland, Ohio

[\*\*] Term: **14 Years**

[21] Appl. No.: **29/108,118**

[22] Filed: **Jul. 20, 1999**

[51] **LOC (7) Cl.** ..... **09-07**

[52] **U.S. Cl.** ..... **D9/415**

[58] **Field of Search** ..... D9/415, 418, 414,  
D9/346, 433; 206/45.28, 45.29, 303, 304.1,  
304.2, 462, 471, 495, 886, 775-779

[56] **References Cited**

**U.S. PATENT DOCUMENTS**

- D. 219,429 12/1970 Poppleton et al. .
- D. 222,581 11/1971 Nakakuma .
- D. 229,549 12/1973 Mascetti, Jr. .
- D. 236,090 7/1975 Koenigsberg .
- D. 276,215 11/1984 Wang .
- D. 283,488 4/1986 Stevens .
- D. 283,489 4/1986 Stevesn .
- D. 290,812 7/1987 Voges .
- D. 291,064 7/1987 Haber et al. .
- D. 292,879 11/1987 Smith .
- D. 295,573 5/1988 Williams .
- D. 298,105 10/1988 Lamantia, Jr. .
- D. 300,510 4/1989 Mason, Jr. .
- D. 303,763 10/1989 DeMarco .
- D. 308,331 6/1990 Slavin et al. .
- D. 309,432 7/1990 Mancini .
- D. 327,982 7/1992 Williams .
- D. 329,600 9/1992 LaJoie .
- D. 358,987 6/1995 Clutter et al. .
- D. 365,753 1/1996 Sibbio .

- D. 384,579 10/1997 Lee ..... D9/415
- D. 411,447 6/1999 Melzer ..... D9/415
- D. 412,843 8/1999 Melzer ..... D9/415
- D. 414,412 9/1999 Brunianyn ..... D9/415
- D. 420,580 2/2000 Melzer ..... D9/415
- 4,315,569 2/1982 Jaeschke ..... 206/779 X
- 4,400,161 8/1983 Gerlt ..... 206/760 X
- 4,610,354 9/1986 Hostetter .
- 4,613,038 9/1986 Kirk .
- 4,872,551 10/1989 Theros .
- 4,899,877 2/1990 Kiernan .
- 5,129,516 7/1992 Theros .
- 5,209,354 5/1993 Thornhill et al. .
- 5,495,937 3/1996 Fraser ..... 206/775 X
- 5,622,258 4/1997 Baublitz et al. .... 206/779 X

*Primary Examiner*—Prabhakar Deshmukh  
*Attorney, Agent, or Firm*—Robert H. Earp, III

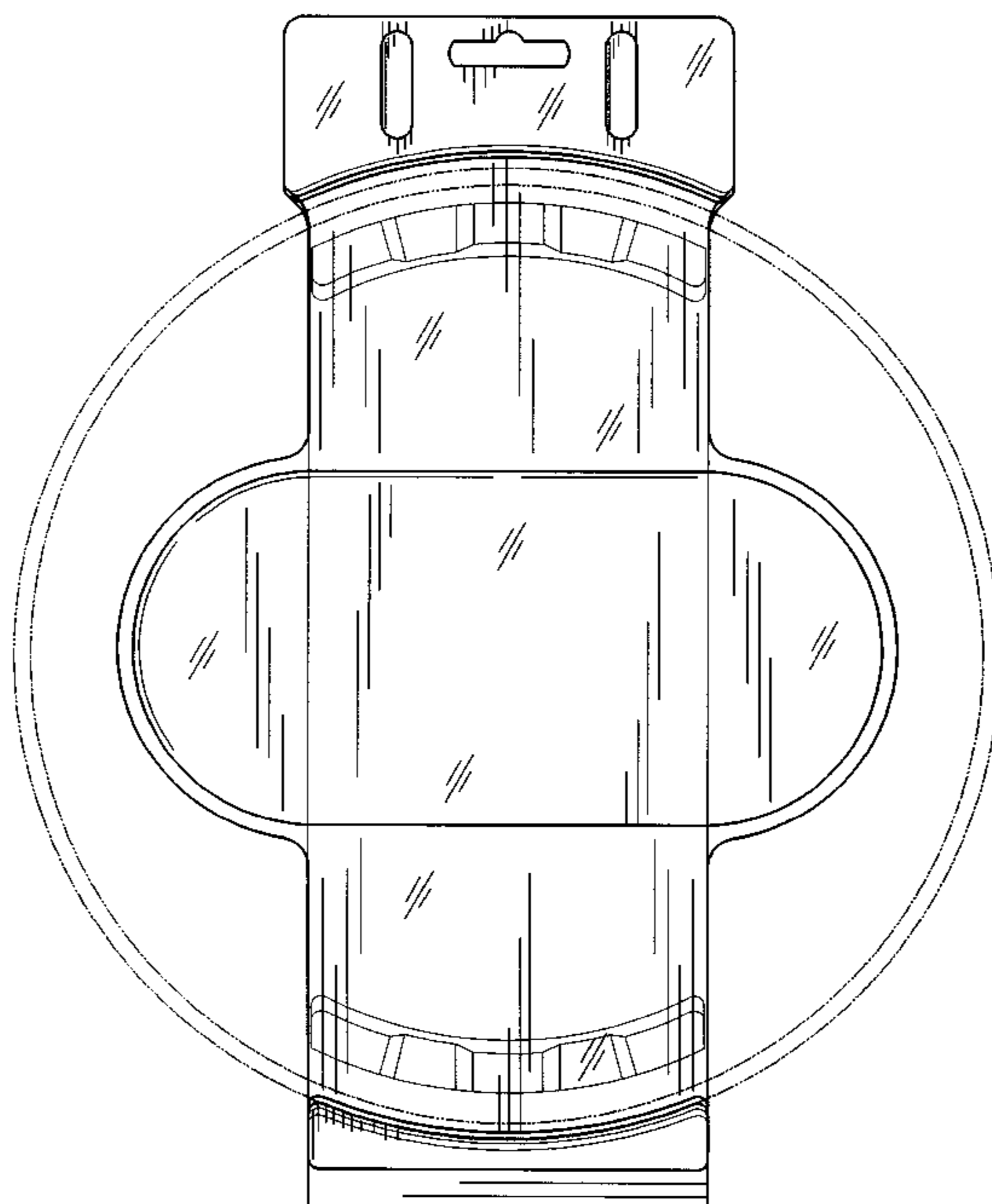
[57] **CLAIM**

The ornamental design for a clam shell packaging, as shown and described.

**DESCRIPTION**

FIG. 1 is a front elevational view of a clam shell packaging showing my new design;  
 FIG. 2 is a left side elevational view thereof; the right side elevational view being a mirror image thereof;  
 FIG. 3 is a top plan view thereof;  
 FIG. 4 is a bottom plan view thereof;  
 FIG. 5 is a rear elevational view thereof;  
 FIG. 6 is a reduced scale top view thereof; shown in an open position;  
 FIG. 7 is a left elevational view of FIG. 6; the right side elevational view being a mirror image thereof; and,  
 FIG. 8 is a left side elevational view thereof; similar to FIG. 2 but shown in closing position.  
 The broken line showing of pan is for illustrative purpose only and forms no part of the claimed design.

**1 Claim, 6 Drawing Sheets**



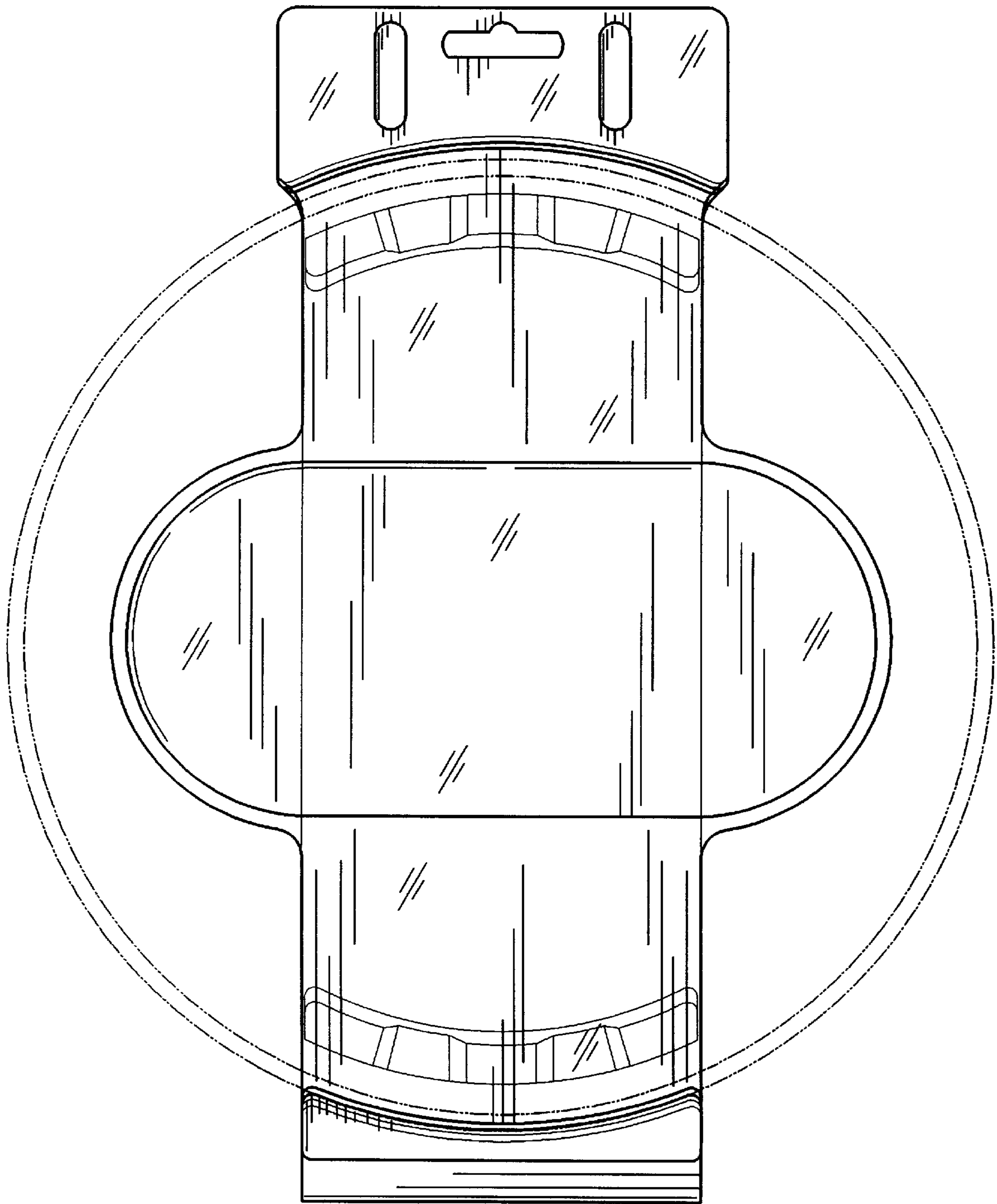


Fig. 1

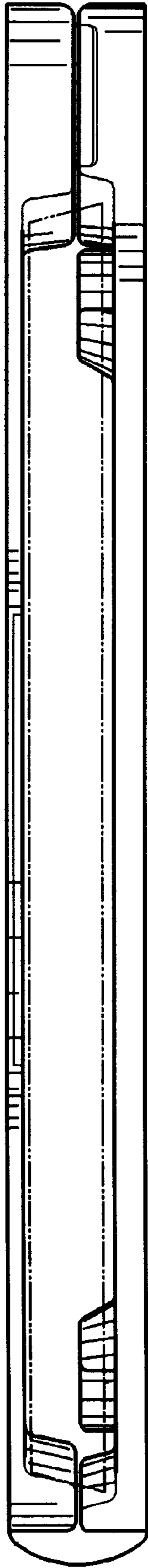
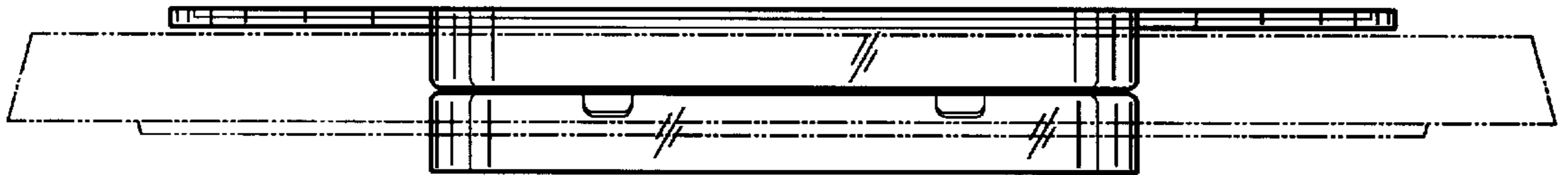
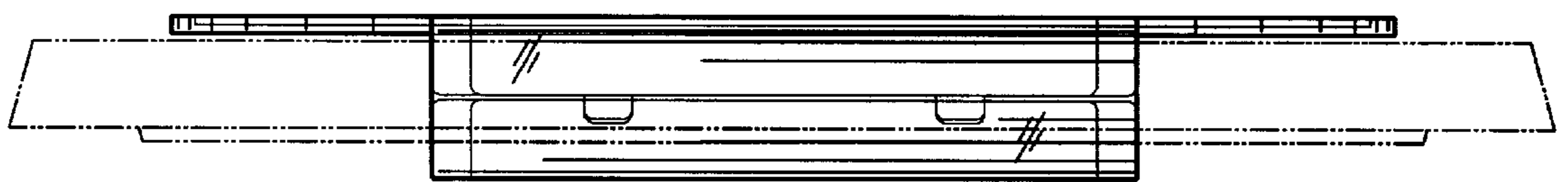


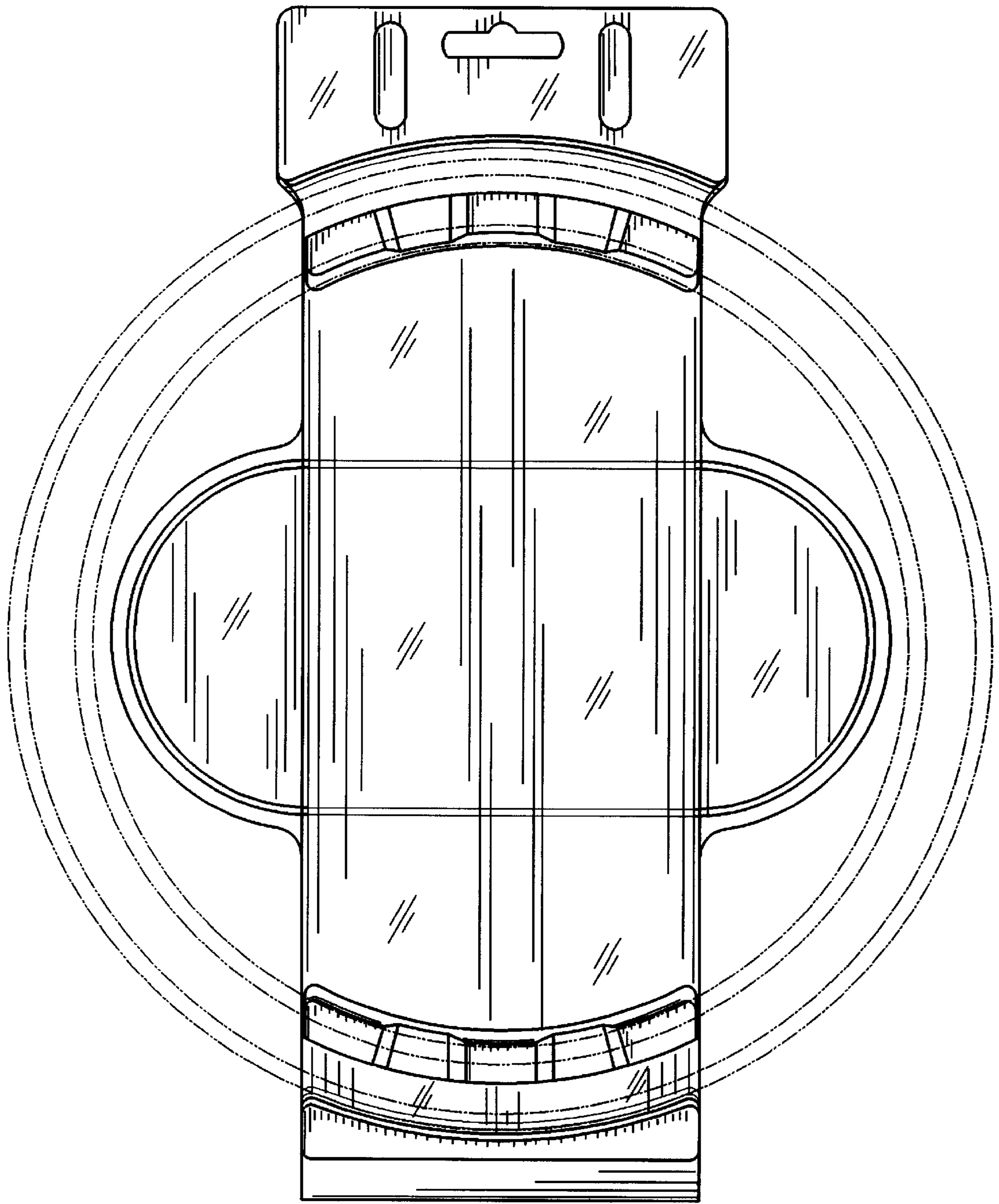
Fig. 2



*Fig. 3*



*Fig. 4*



*Fig. 5*



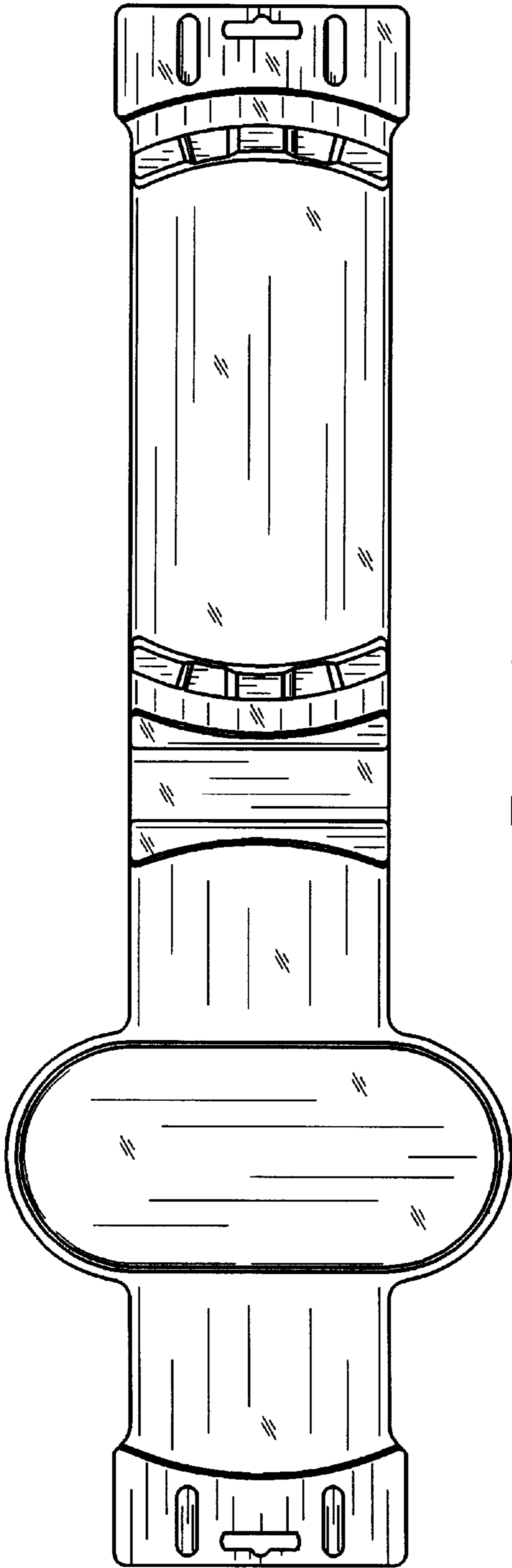


Fig. 6



Fig. 7

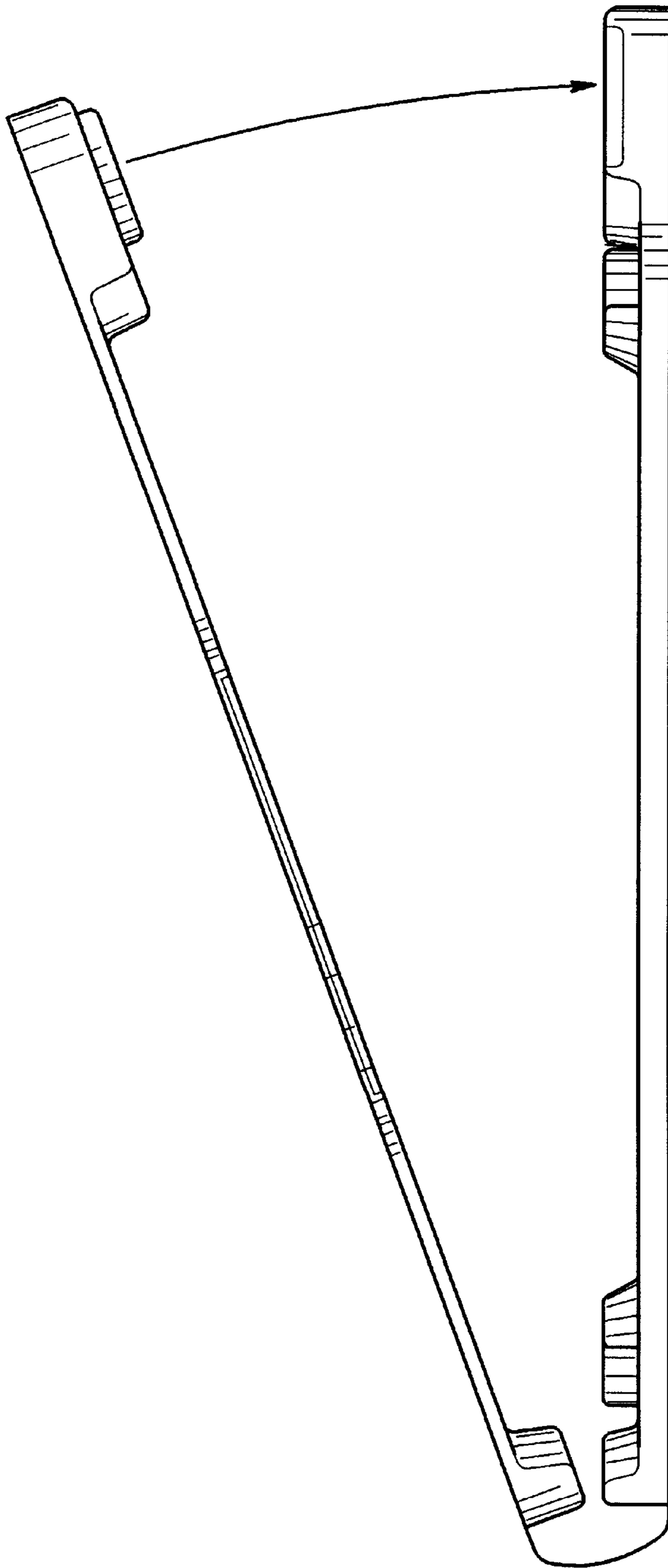


Fig. 8