



US00D432404S

United States Patent [19]
Garfinkle

[11] **Patent Number: Des. 432,404**

[45] **Date of Patent: ** Oct. 24, 2000**

[54] **PLASTIC MOULDING CLAMP**

4,998,277 3/1991 Rioux, Jr. D20/43
5,678,794 10/1997 Kump D20/43
5,871,189 2/1999 Hoftman 248/229.16

[76] Inventor: **Benjamin L. Garfinkle**, 1120 Portal Ave., Piedmont, Calif. 94610

[**] Term: **14 Years**

Primary Examiner—B. J. Bullock
Attorney, Agent, or Firm—Malcolm B. Wittenberg

[21] Appl. No.: **29/102,957**

[57] **CLAIM**

[22] Filed: **Apr. 5, 1999**

The ornamental design for a plastic moulding clamp, as shown and described.

[51] **LOC (7) Cl.** **08-08**

DESCRIPTION

[52] **U.S. Cl.** **D8/395; D8/396**

[58] **Field of Search** D8/394–396; D20/43, D20/44; 40/661.03, 658, 660; 24/326, 522; 248/214, 229.12, 229.16, 300, 228.3, 298.1

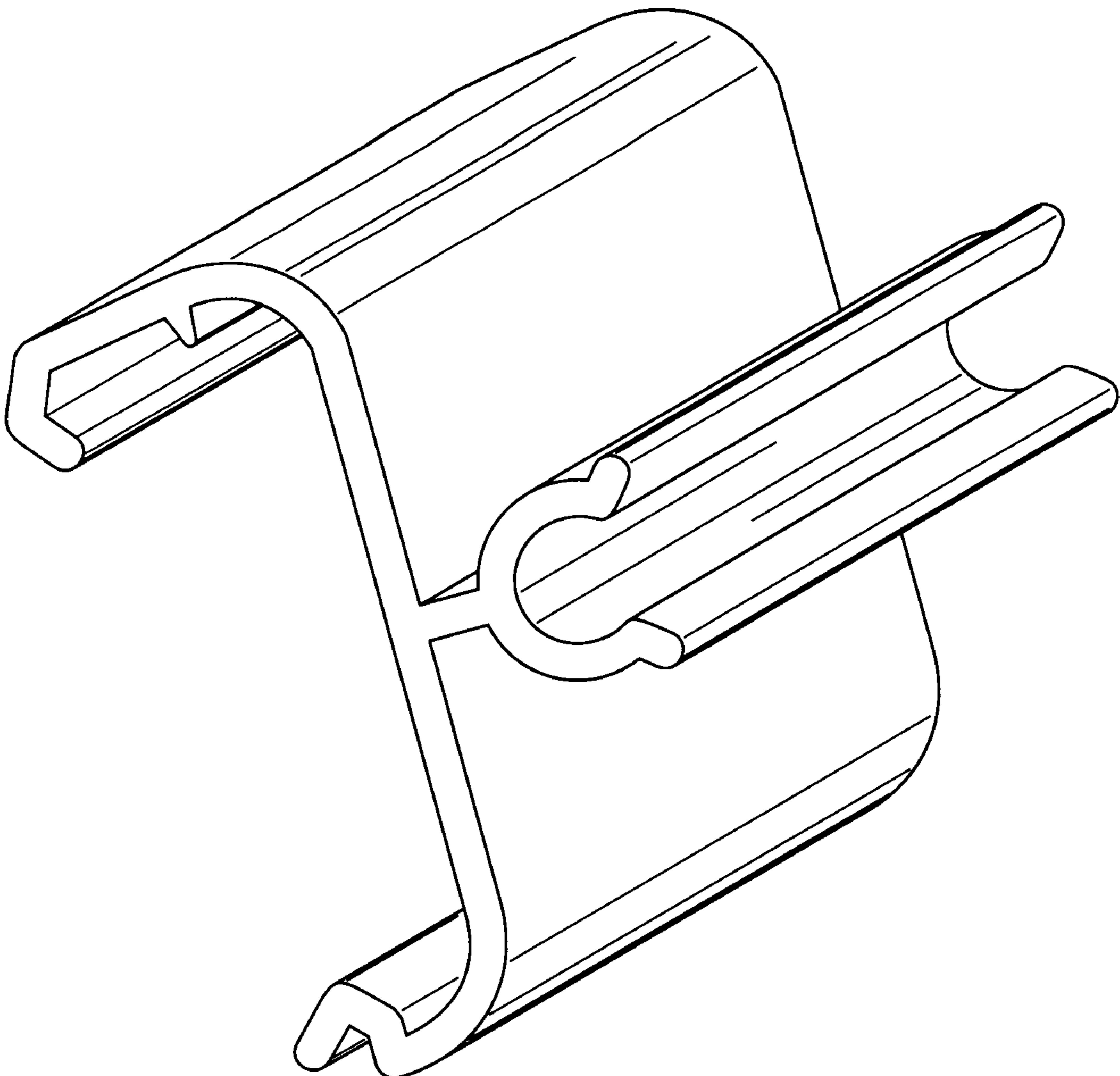
FIG. 1 shows a perspective view;
FIG. 2 shows a left side view;
FIG. 3 shows a right side view;
FIG. 4 shows a top view;
FIG. 5 shows a bottom view;
FIG. 6 shows a back view; and,
FIG. 7 shows a front view.

[56] **References Cited**

U.S. PATENT DOCUMENTS

D. 342,286 12/1993 Orsos D20/43
1,429,776 9/1922 Robinson D20/43
2,918,244 12/1959 Laney D20/43

1 Claim, 3 Drawing Sheets



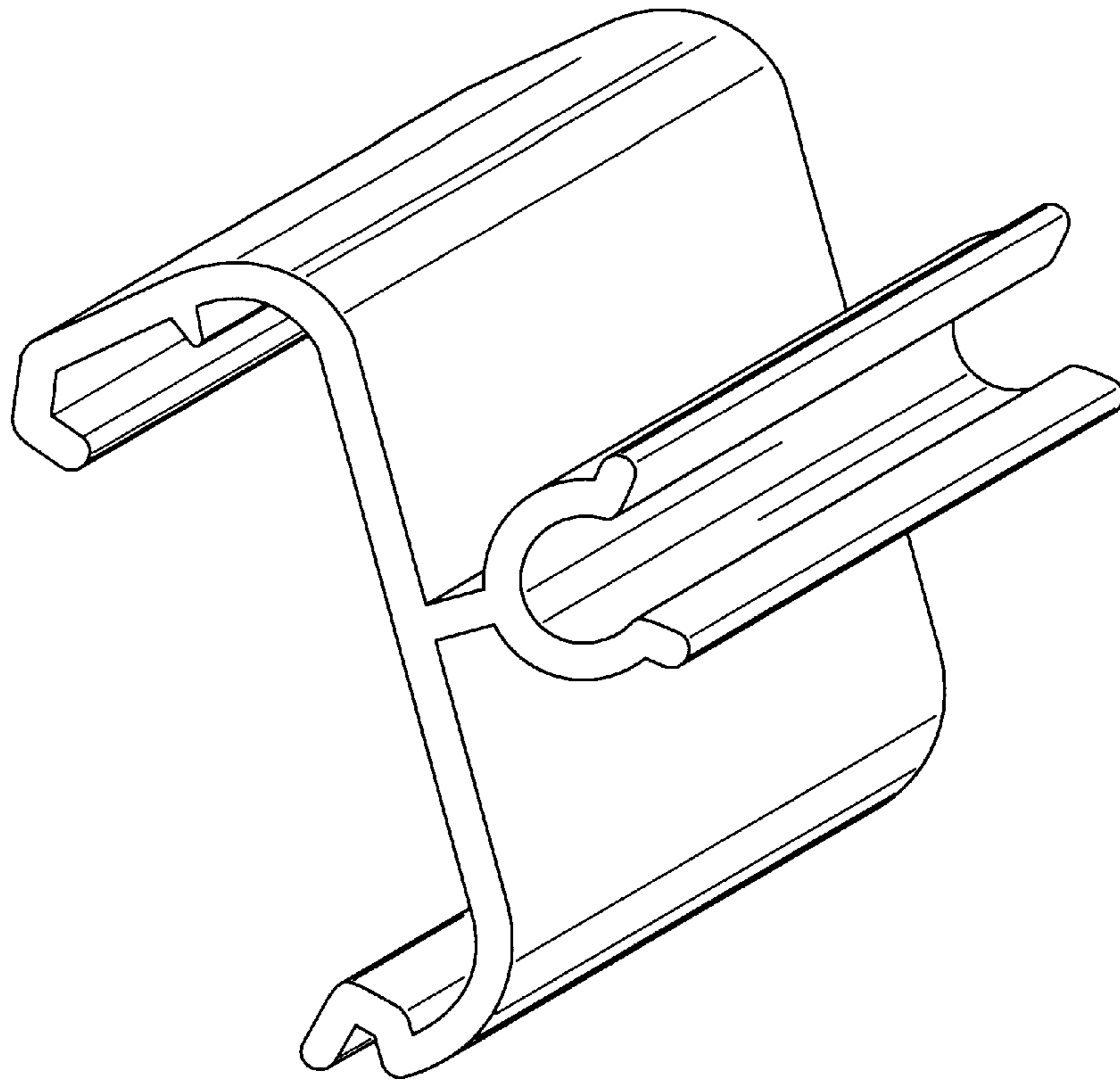


FIG. 1

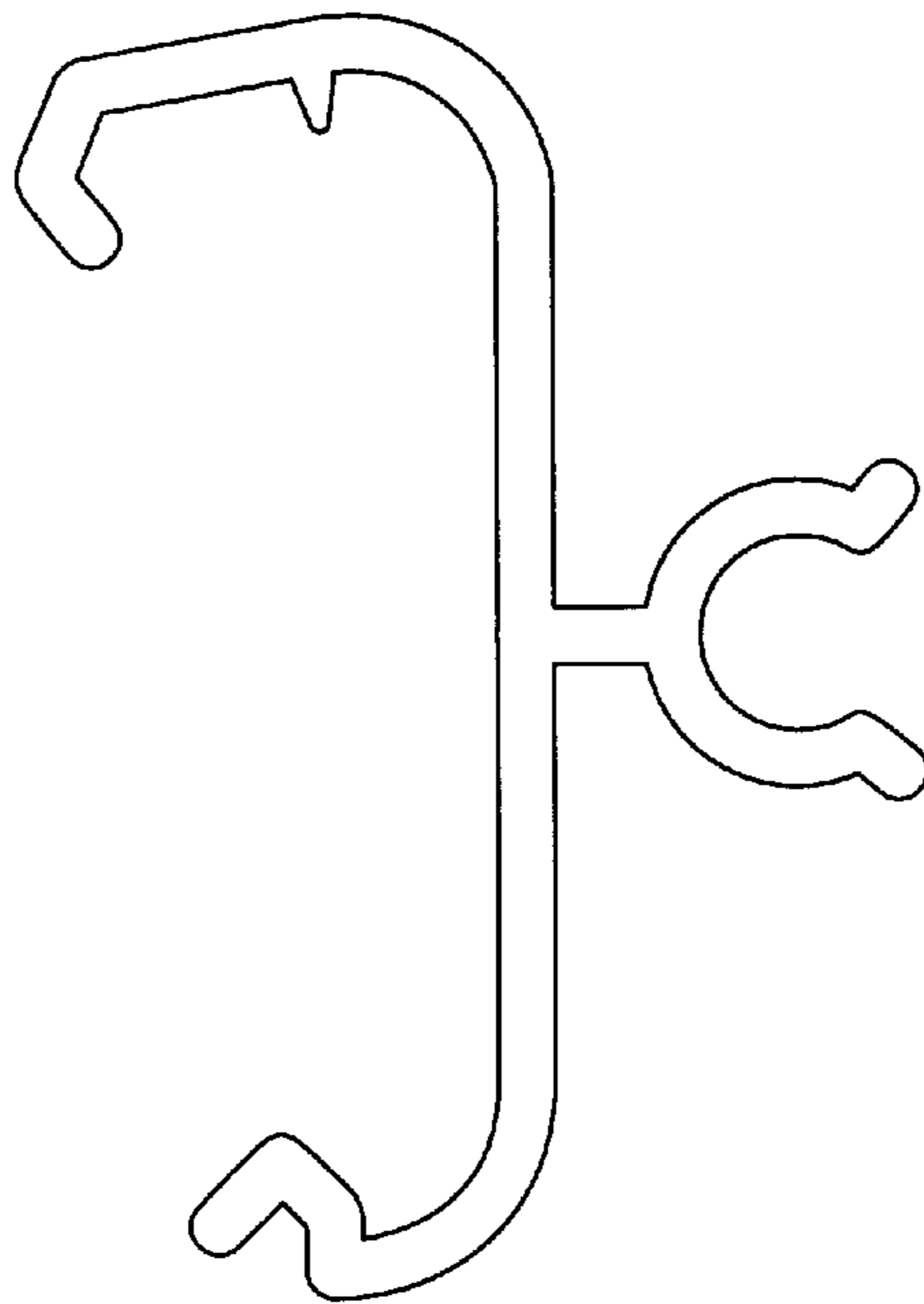


FIG. 2

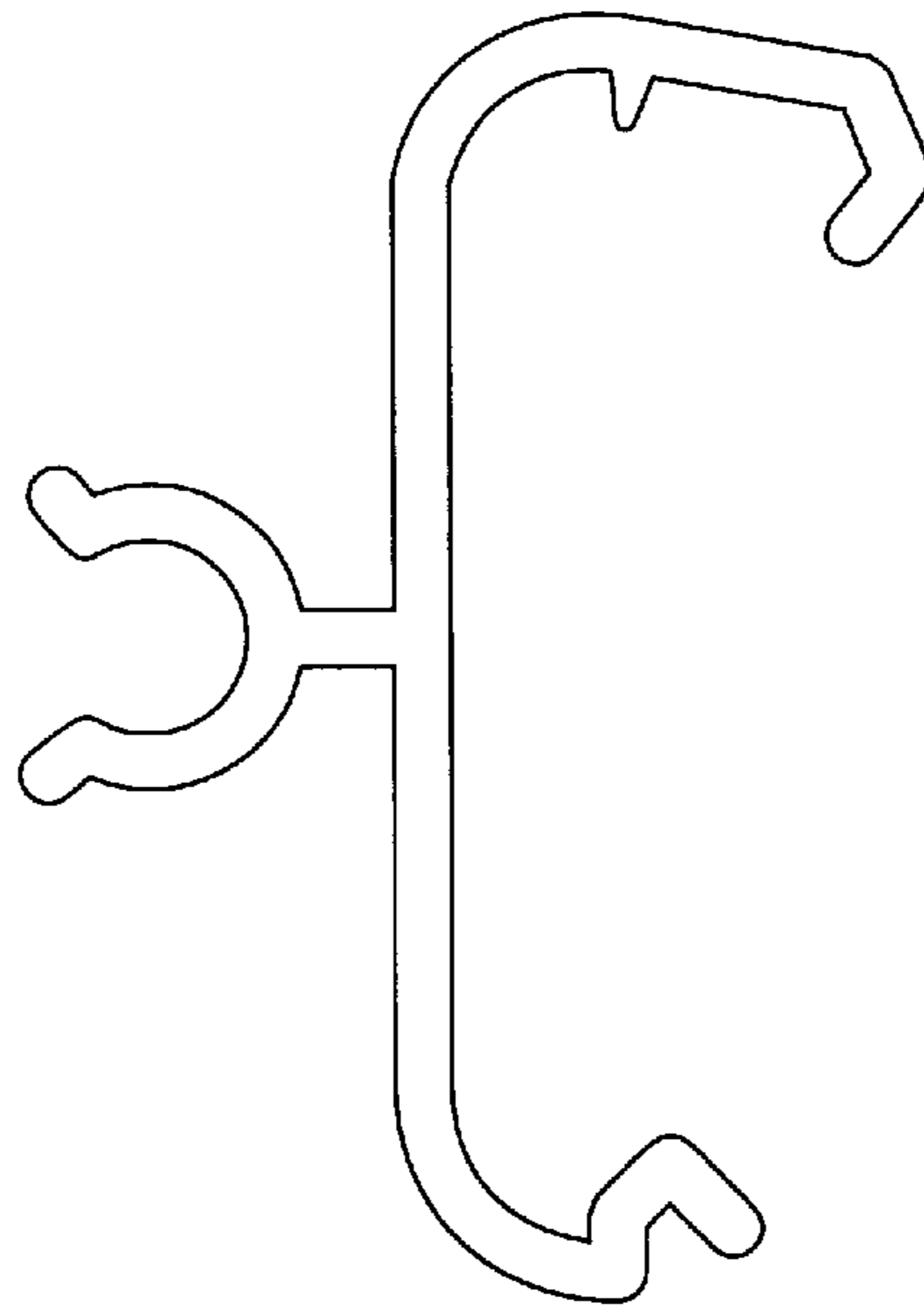


FIG. 3

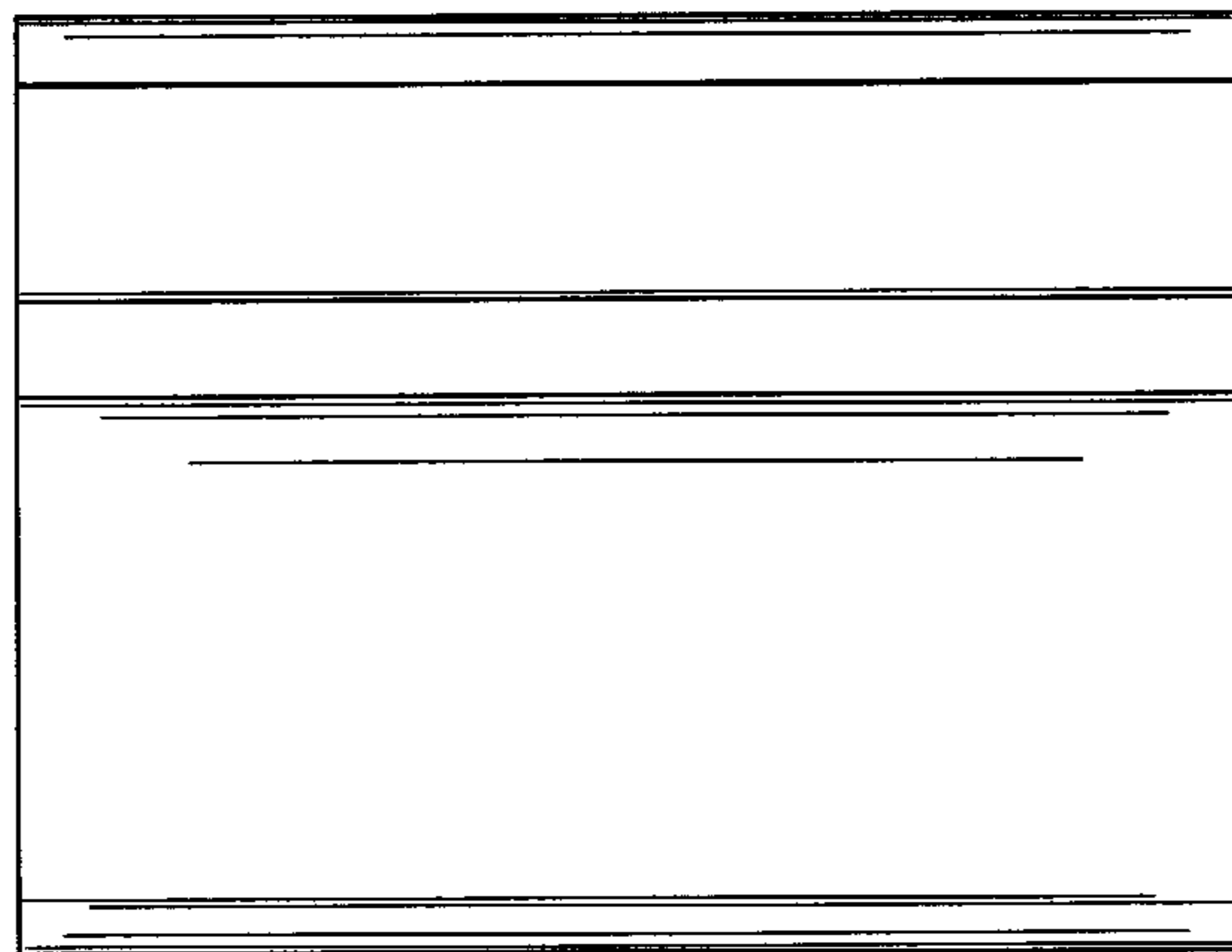


FIG. 4

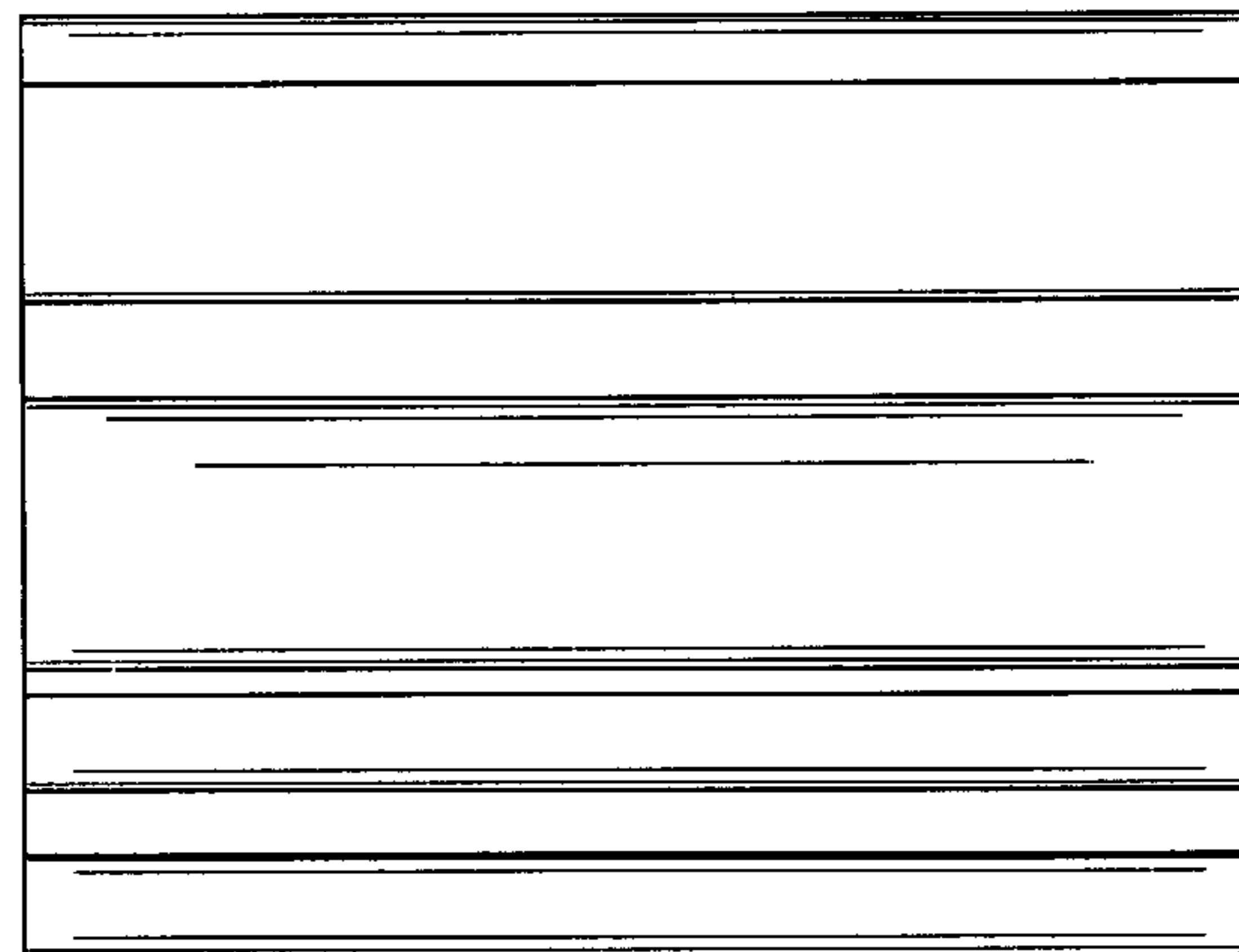


FIG. 5

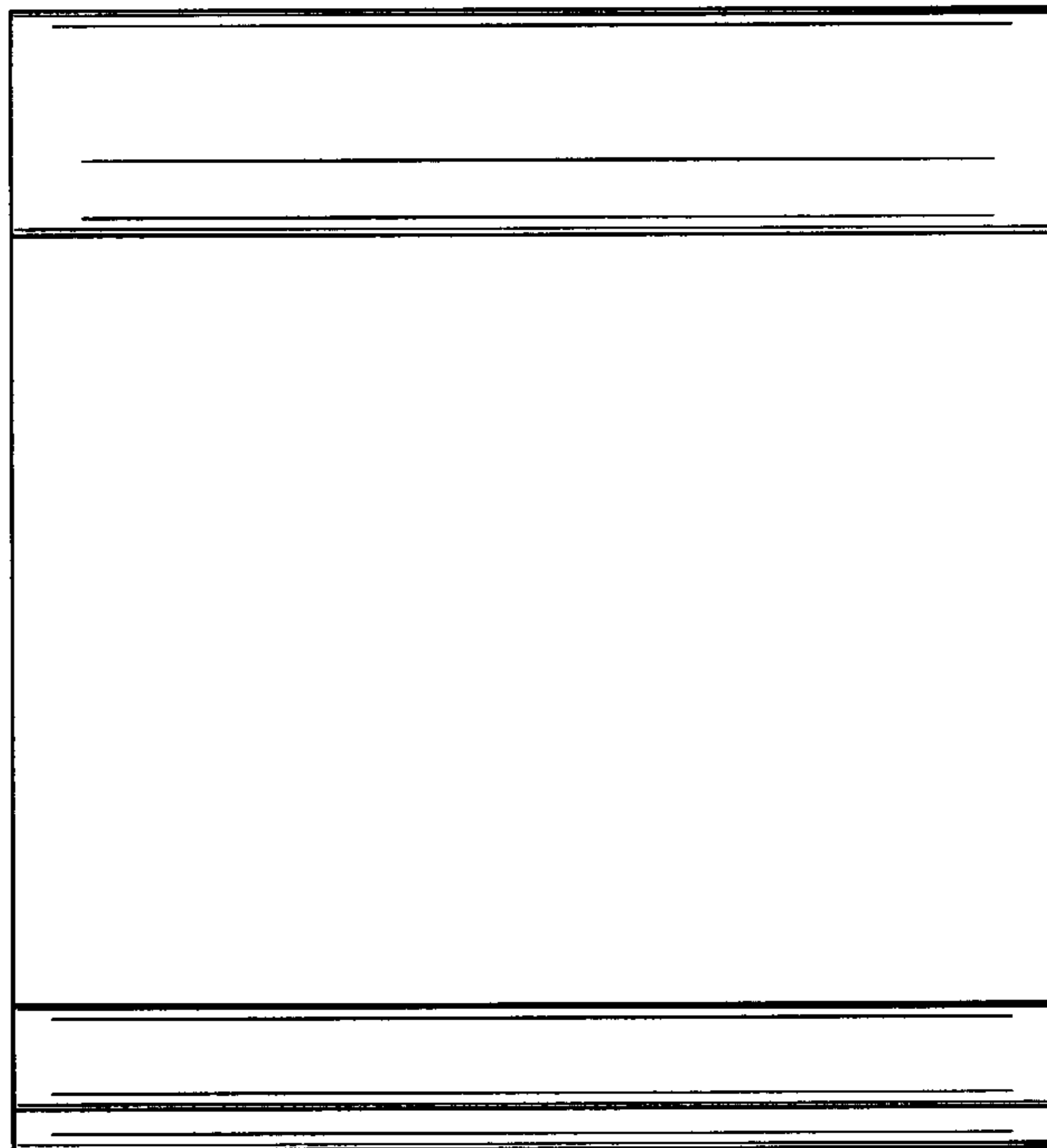


FIG. 6

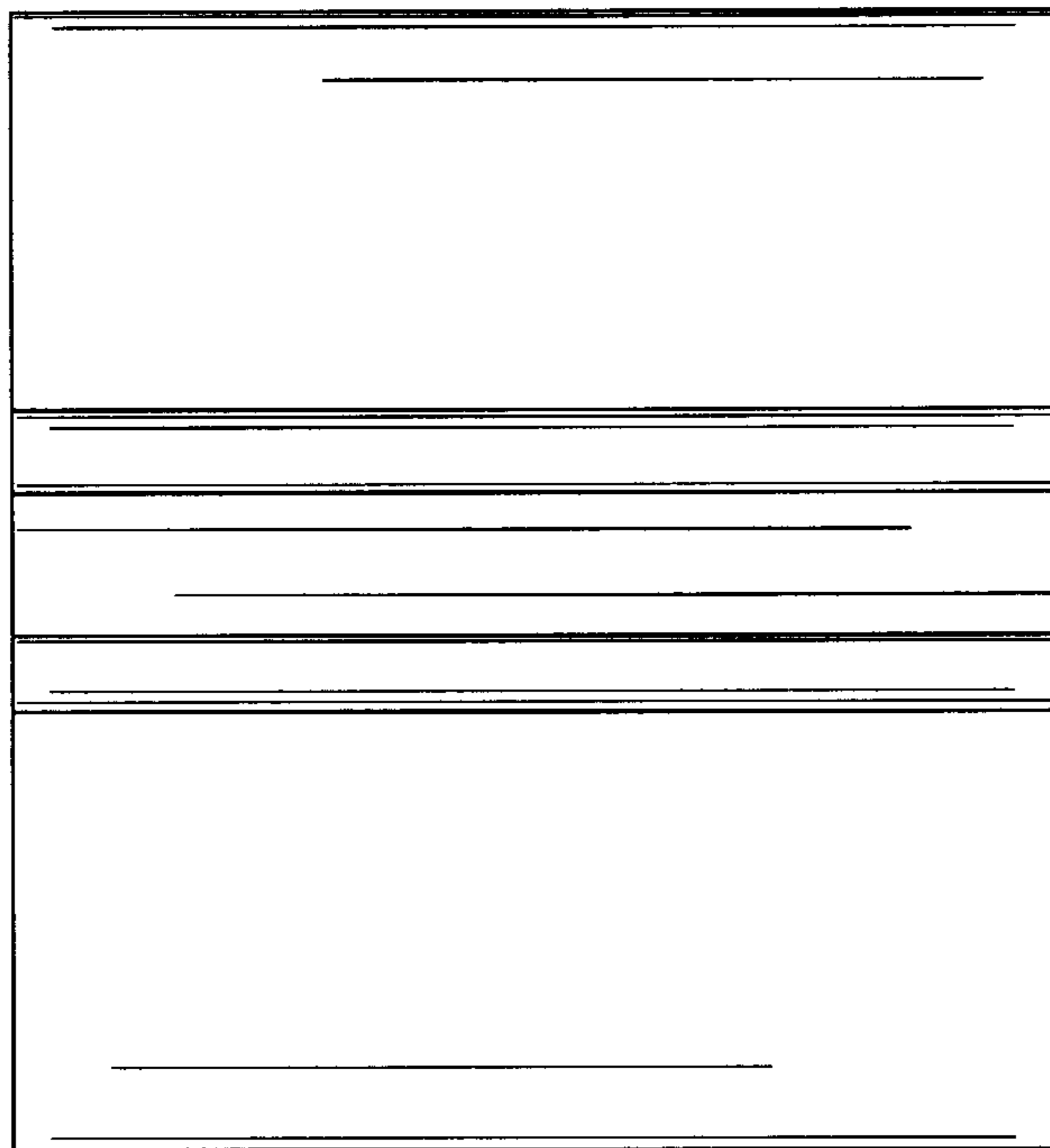


FIG. 7