



US00D432403S

United States Patent [19] Svensson

[11] **Patent Number: Des. 432,403**

[45] **Date of Patent: ** Oct. 24, 2000**

[54] **GRIPPING ARRANGEMENT**

[76] Inventor: **Bo Karl Ragnar Svensson**, Nybrogatan
75, 114 40 Stockholm, Sweden

[**] Term: **14 Years**

[21] Appl. No.: **29/094,274**

[22] Filed: **Sep. 29, 1998**

[30] **Foreign Application Priority Data**

Mar. 30, 1998 [SE] Sweden 98-0736

[51] **LOC (7) Cl.** **08-08**

[52] **U.S. Cl.** **D8/394**

[58] **Field of Search** D8/394; 294/106,
294/115

[56] **References Cited**

U.S. PATENT DOCUMENTS

5,280,981 1/1994 Shultz 294/106

Primary Examiner—Holly Baynham
Attorney, Agent, or Firm—Burns, Doane, Swecker &
Mathis, L.L.P.

[57] **CLAIM**

The ornamental design for a gripping arrangement, as shown and described.

DESCRIPTION

FIG. 1 shows in a perspective view a gripping arrangement having there gripping jaws in a fully opened position.

FIG. 2 shows in another perspective view the gripping arrangement according to FIG. 1.

FIG. 3 shows in a perspective view the gripping arrangement having there gripping jaws in a completely closed position; and,

FIG. 4 shows in another perspective view the gripping arrangement according to FIG. 3.

1 Claim, 2 Drawing Sheets

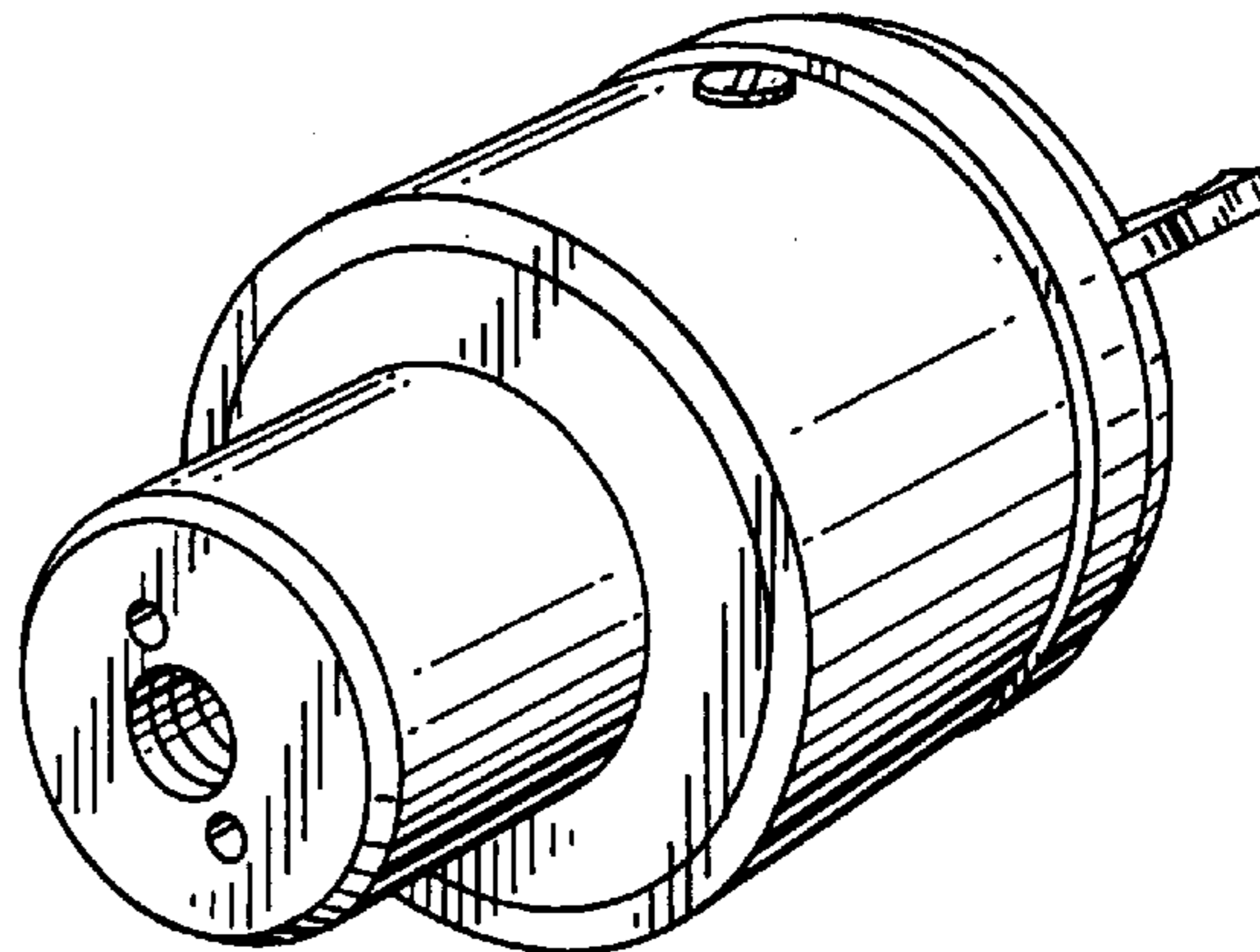
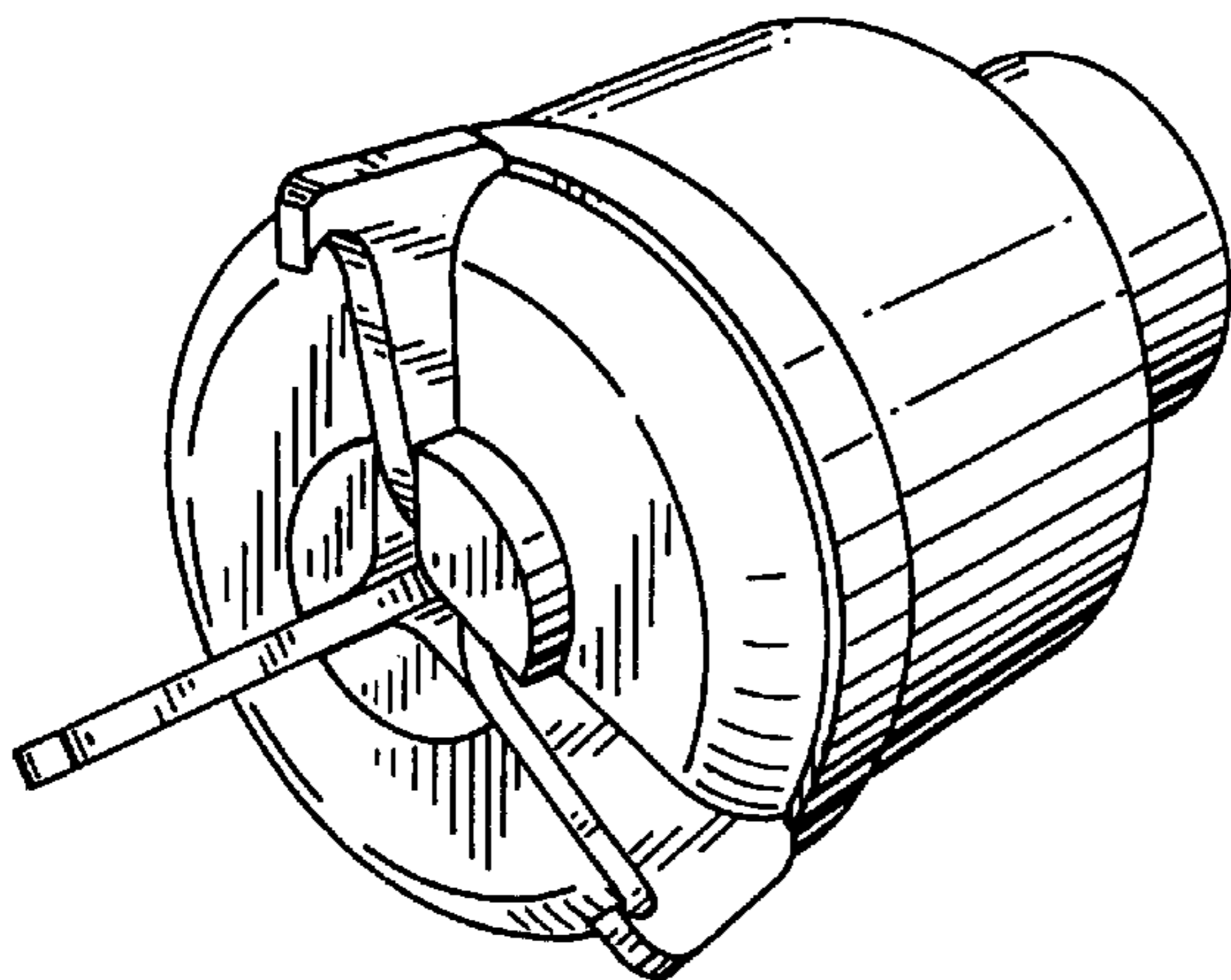


Fig. 2

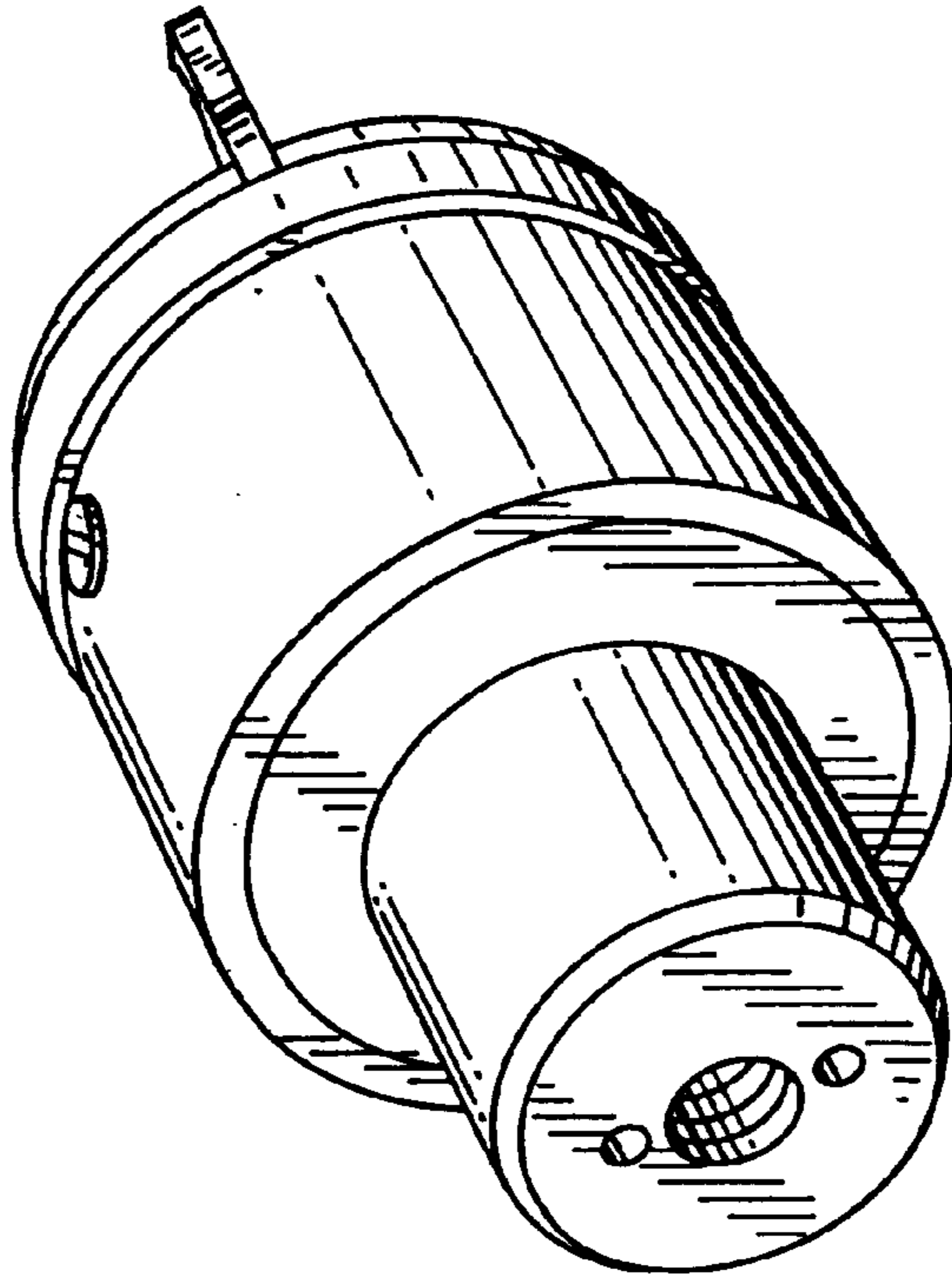


Fig. 1

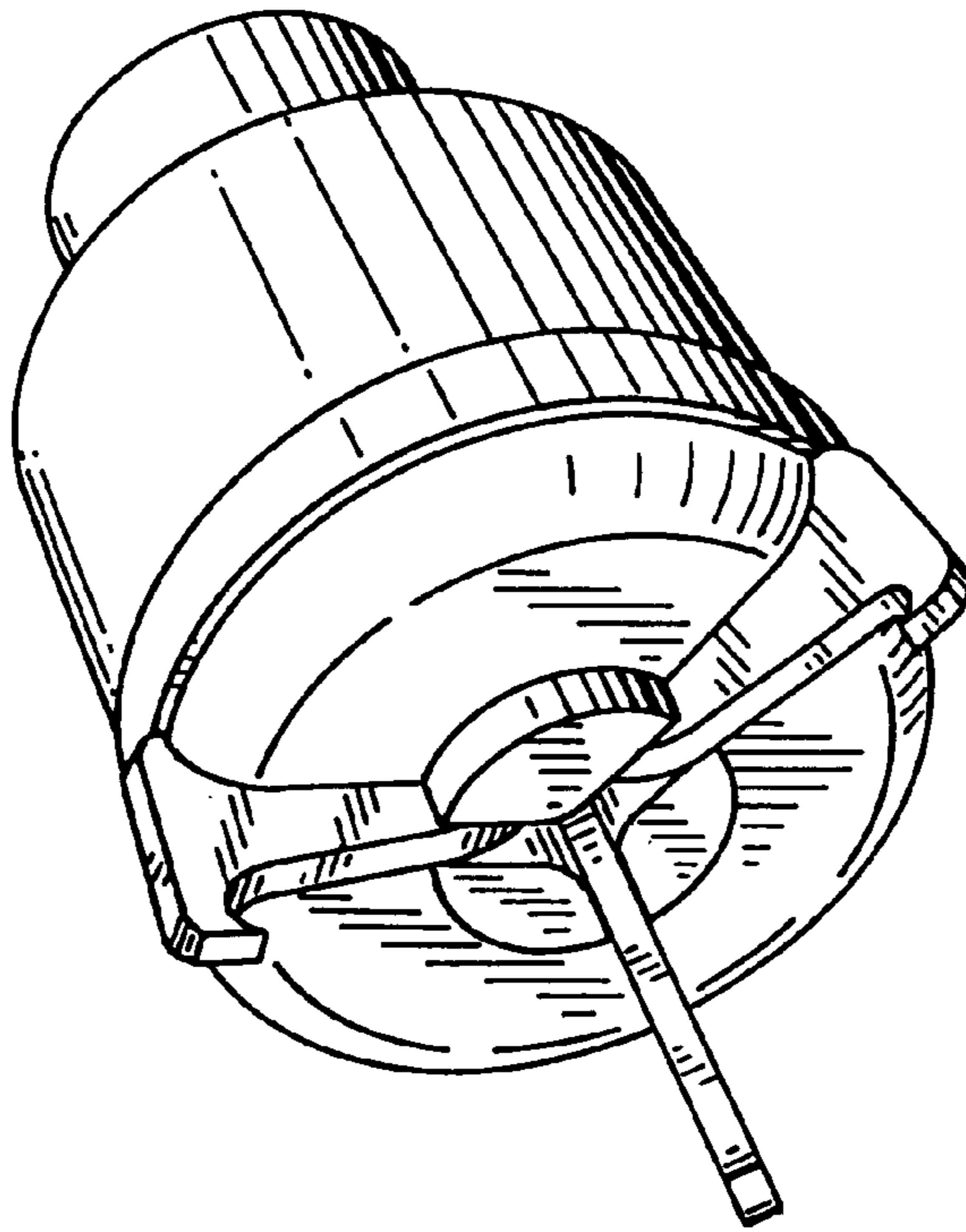


Fig. 3

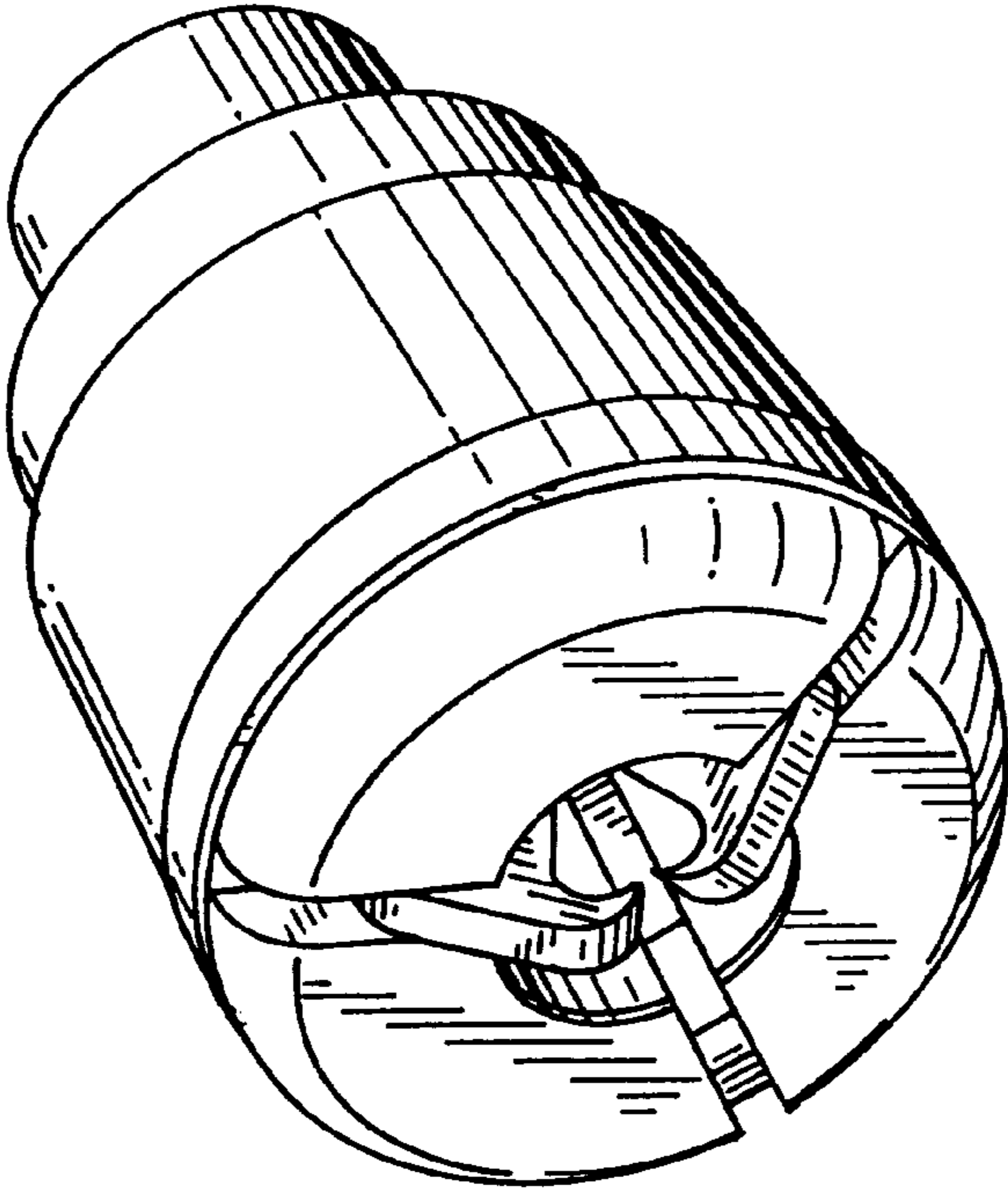


Fig. 4

