



US00D432402S

# United States Patent [19] Hyp

[11] **Patent Number: Des. 432,402**

[45] **Date of Patent: \*\* Oct. 24, 2000**

[54] **DRAW-DOWN STRAP**

5,984,379 11/1999 Michel et al. .... 296/100.15

[75] Inventor: **Eric D. Hyp**, Aspers, Pa.

### OTHER PUBLICATIONS

Southco, Inc. Handbook 47 NA, pp. H 26–H 31.

[73] Assignee: **Southco, Inc.**, Concordville, Pa.

[\*\*] Term: **14 Years**

*Primary Examiner*—Alan P. Douglas

*Assistant Examiner*—Reid Hecker

*Attorney, Agent, or Firm*—Paul and Paul

[21] Appl. No.: **29/104,124**

[22] Filed: **Apr. 28, 1999**

### [57] CLAIM

The ornamental design for a draw-down strap, as shown and described.

[51] **LOC (7) Cl.** ..... **08-08**

[52] **U.S. Cl.** ..... **D8/383**

[58] **Field of Search** ..... D8/382, 383, 356,  
D8/394; D11/216; D12/401, 400; 24/270,  
68 R, 69 R, 69 ST, 69 CT; 248/499; 410/23;  
296/100.15, 100.16

### DESCRIPTION

FIG. 1 is a perspective view of the draw-down strap showing my design in a closed or locked position.

FIG. 2 is a side elevational view of the draw-down strap of FIG. 1, the opposite side elevational view being the mirror image.

FIG. 3 is a top plan view of the draw-down strap of FIG. 1.

FIG. 4 is a front elevational view of the draw-down strap of FIG. 1.

FIG. 5 is a bottom plan view of the draw-down strap of FIG. 1; and,

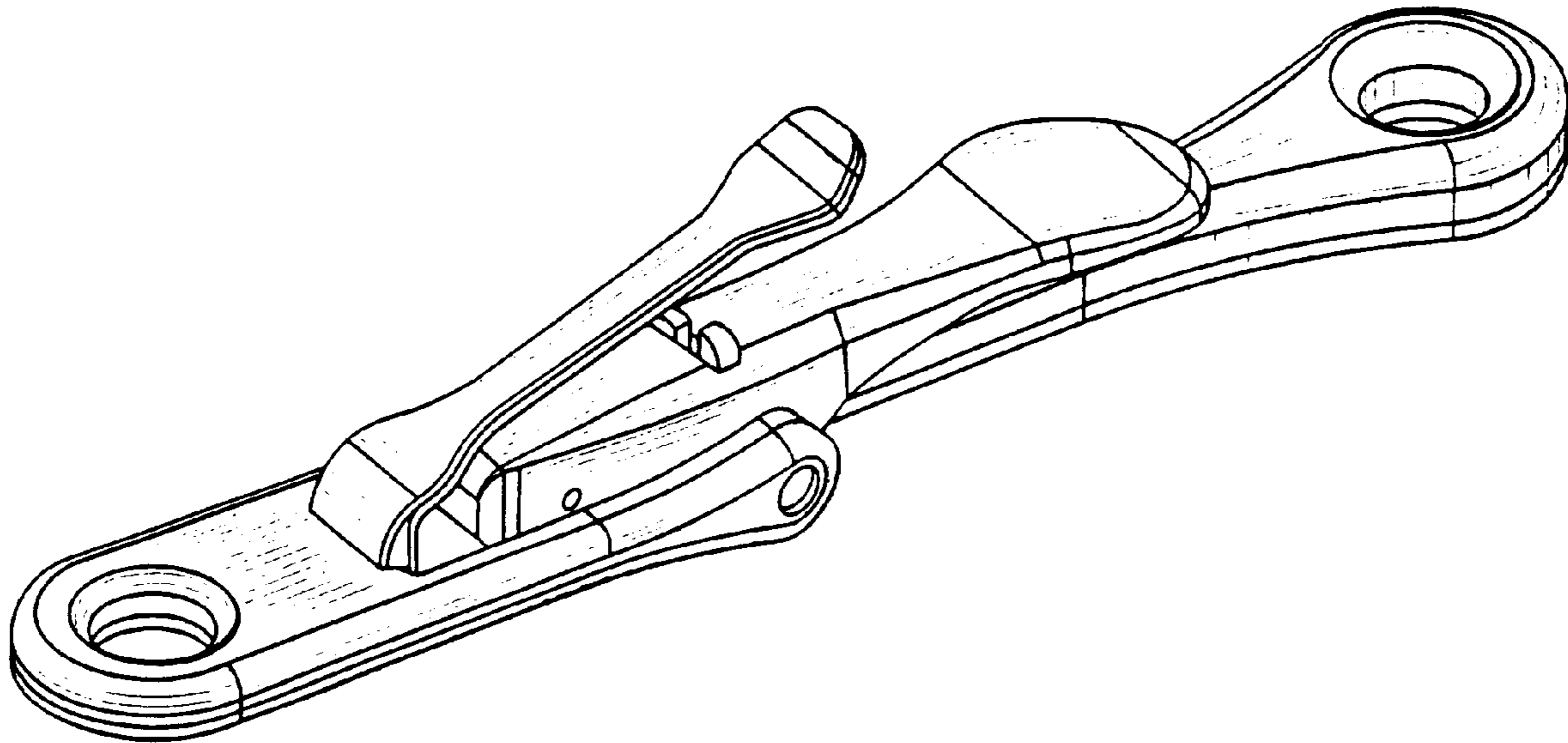
FIG. 6 is a rear elevational view of the draw-down strap of FIG. 1.

### [56] References Cited

#### U.S. PATENT DOCUMENTS

D. 212,715	11/1968	Fox	.....	D8/394
D. 266,828	11/1982	Prete, Jr.	.....	D8/383
D. 275,266	8/1984	Kawahara	.....	D8/383
D. 308,473	6/1990	Pohrer	.....	D8/383
D. 377,155	1/1997	Takimoto	.....	D8/383
D. 388,393	12/1997	Moradians	.....	D12/400
1,012,587	12/1911	Ballul	.....	D8/383
4,358,232	11/1982	Griffith	.....	248/499
4,487,537	12/1984	Morse	.....	248/499

**1 Claim, 2 Drawing Sheets**



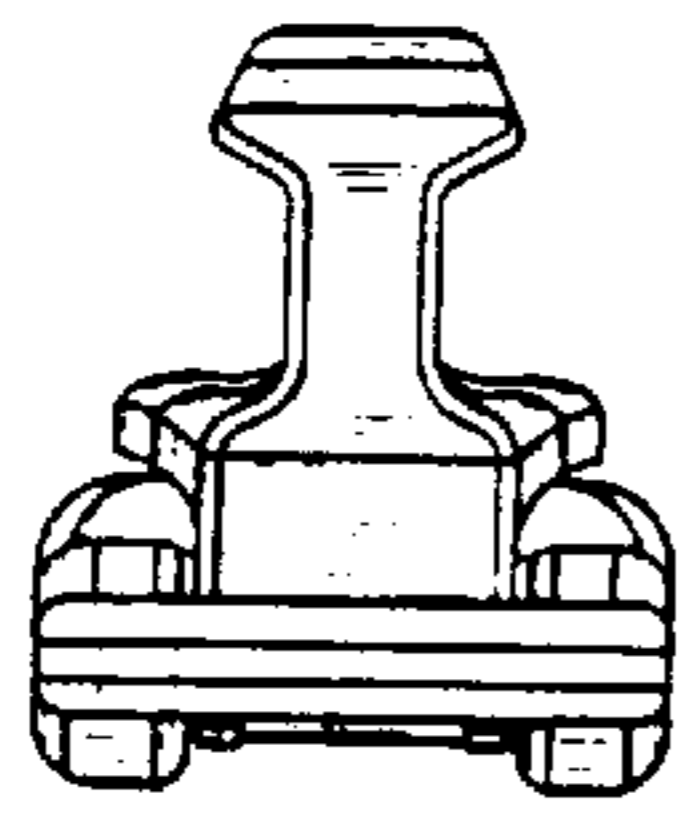


FIG. 4

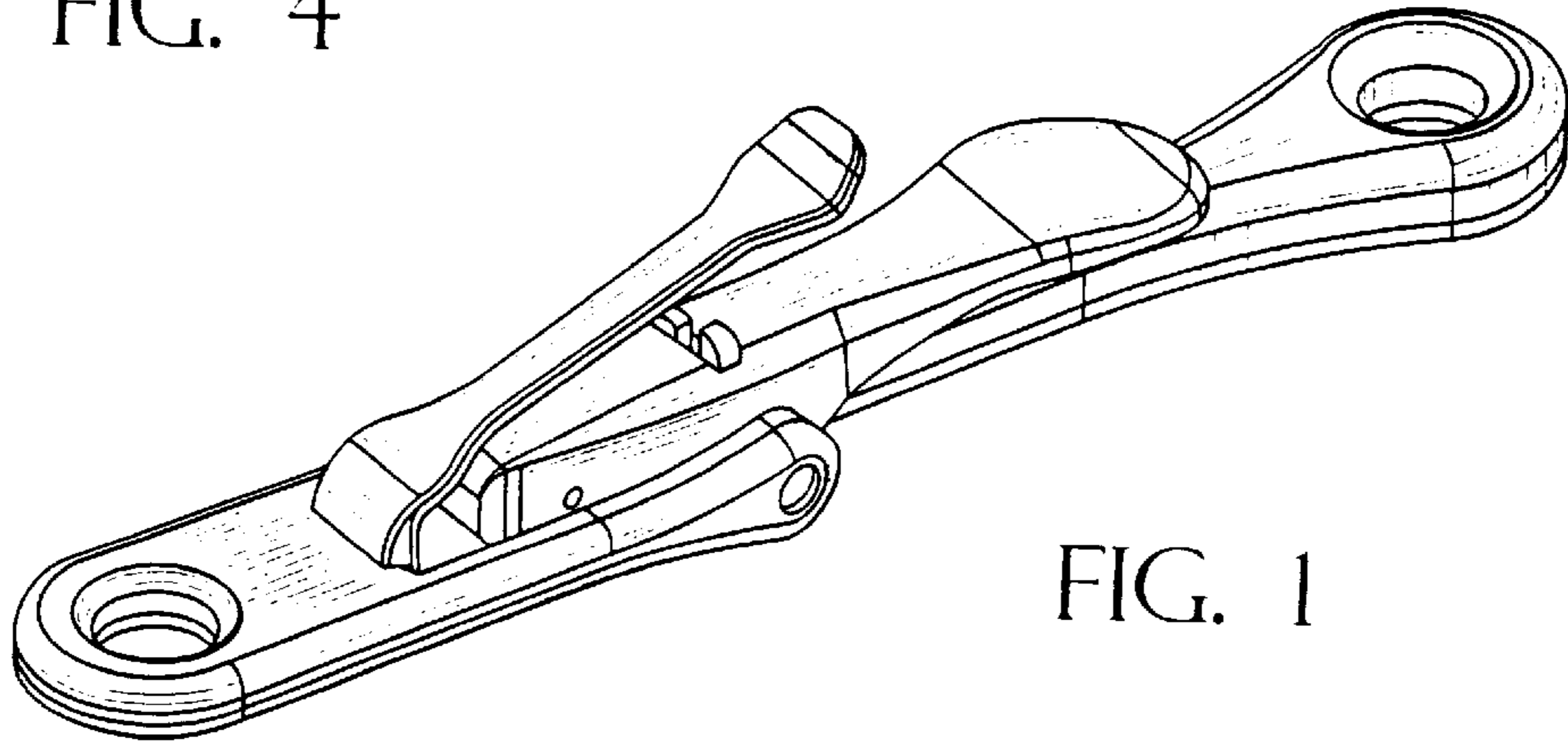


FIG. 1

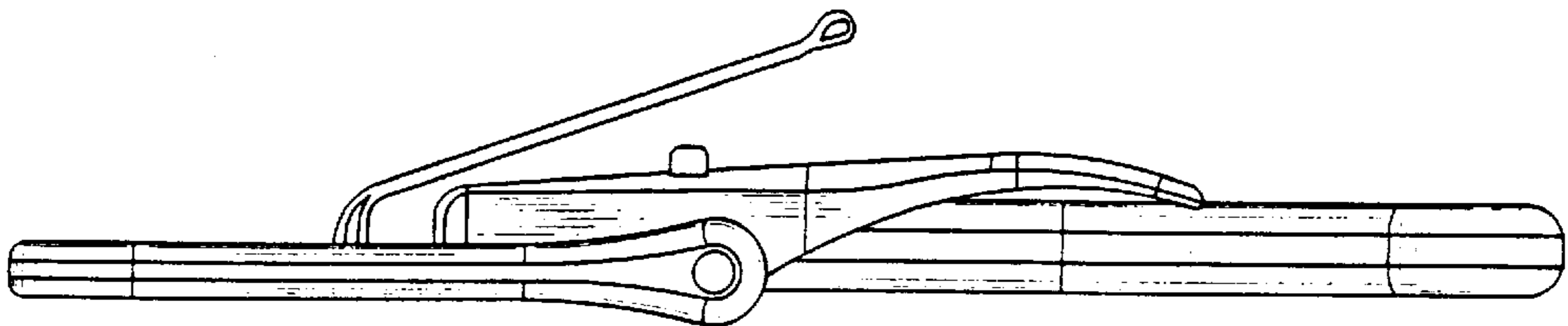


FIG. 2

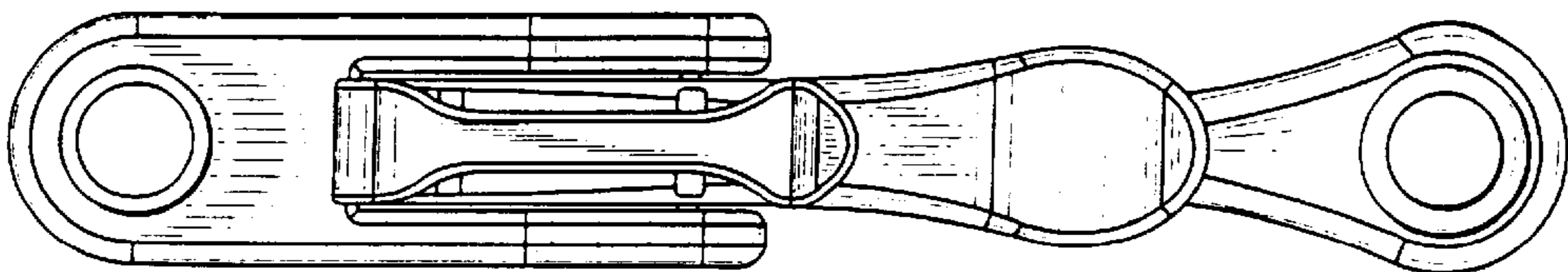


FIG. 3

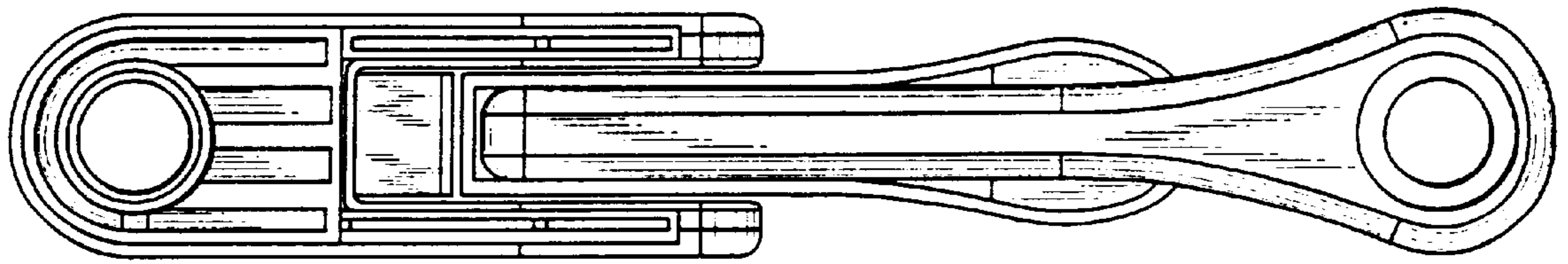


FIG. 5

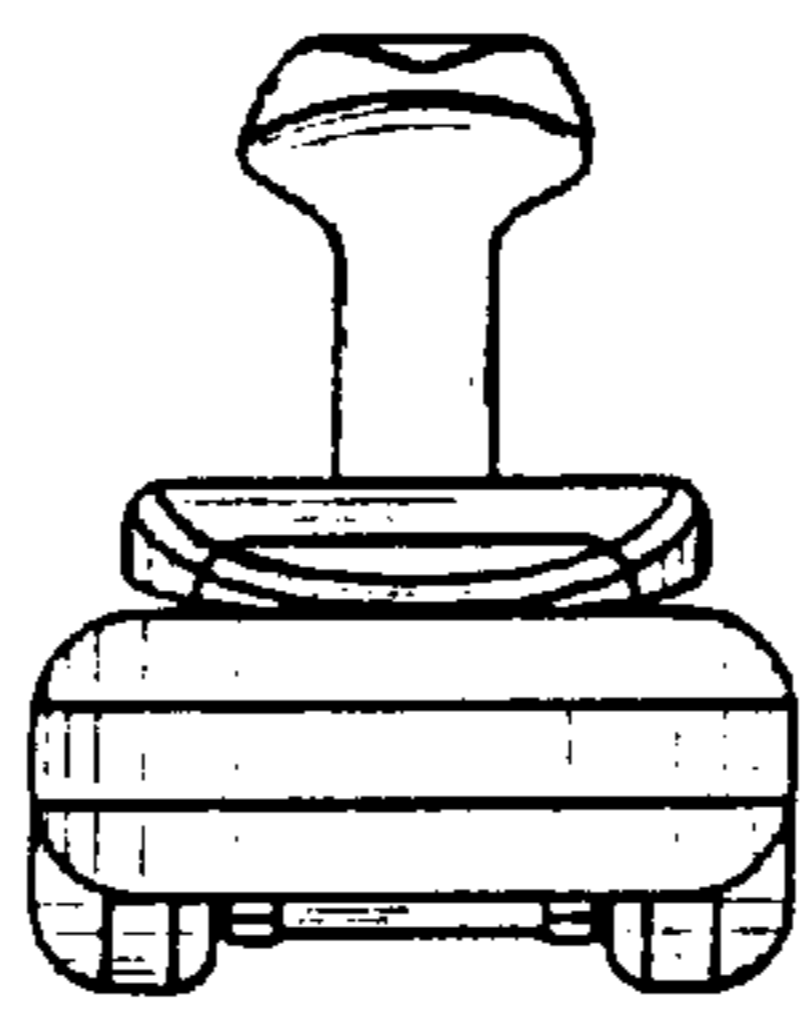


FIG. 6