



US00D432401S

United States Patent [19] Kalbach

[11] **Patent Number: Des. 432,401**

[45] **Date of Patent: ** Oct. 24, 2000**

[54] **ELEMENT OF A CLIP STRUCTURE**

[76] Inventor: **Edward Van Lee Kalbach, 575 W. 3200 South, Nibley, Utah 84321**

[**] Term: **14 Years**

[21] Appl. No.: **29/111,271**

[22] Filed: **Sep. 23, 1999**

[51] **LOC (7) Cl. 08-08**

[52] **U.S. Cl. D8/382**

[58] **Field of Search D8/382, 367; 24/600.9, 24/165, 601.2**

[56] **References Cited**

U.S. PATENT DOCUMENTS

D. 26,356	12/1896	Smith	D8/382
D. 310,305	9/1990	Scognamillo et al. .	
D. 310,448	9/1990	Scognamillo et al. .	
D. 341,337	11/1993	Gerchman .	
D. 359,464	6/1995	Grasso et al. .	
D. 364,125	11/1995	Anscher .	
D. 365,017	12/1995	Röhrig .	
D. 373,747	9/1996	Anscher .	
D. 373,974	9/1996	Anscher .	
D. 379,558	6/1997	Mischenko et al. .	
D. 381,936	8/1997	Anscher .	
D. 382,105	8/1997	Bonaldi .	
D. 382,503	8/1997	Kalbach .	
5,384,935	1/1995	Maier-Hunke et al. .	
5,671,515	9/1997	Evans .	

OTHER PUBLICATIONS

“EK Ekcessories, Inc. Product Catalog” Aug. 1993, pp. 16 and 17.

“EK Ekcessories, Inc. Product Catalog” Aug. 1994, pp. 8 and 9.

*Primary Examiner—Holly Baynham
Attorney, Agent, or Firm—Trask Britt*

[57] **CLAIM**

The ornamental design for an element of a clip structure, as shown and described.

DESCRIPTION

FIG. 1 is a perspective view of an element of a clip structure showing my design;

FIG. 2 is a rear elevational view thereof;

FIG. 3 is a front elevational view thereof;

FIG. 4 is a left end view thereof;

FIG. 5 is a right end view thereof;

FIG. 6 is a top view thereof;

FIG. 7 is a bottom view thereof;

FIG. 8 is a perspective view of a second embodiment of an element of a clip structure showing my design;

FIG. 9 is a rear elevational view of the element of a clip structure of FIG. 8;

FIG. 10 is a front elevational view of the element of a clip structure of FIG. 8;

FIG. 11 is a left end view of the element of a clip structure of FIG. 8;

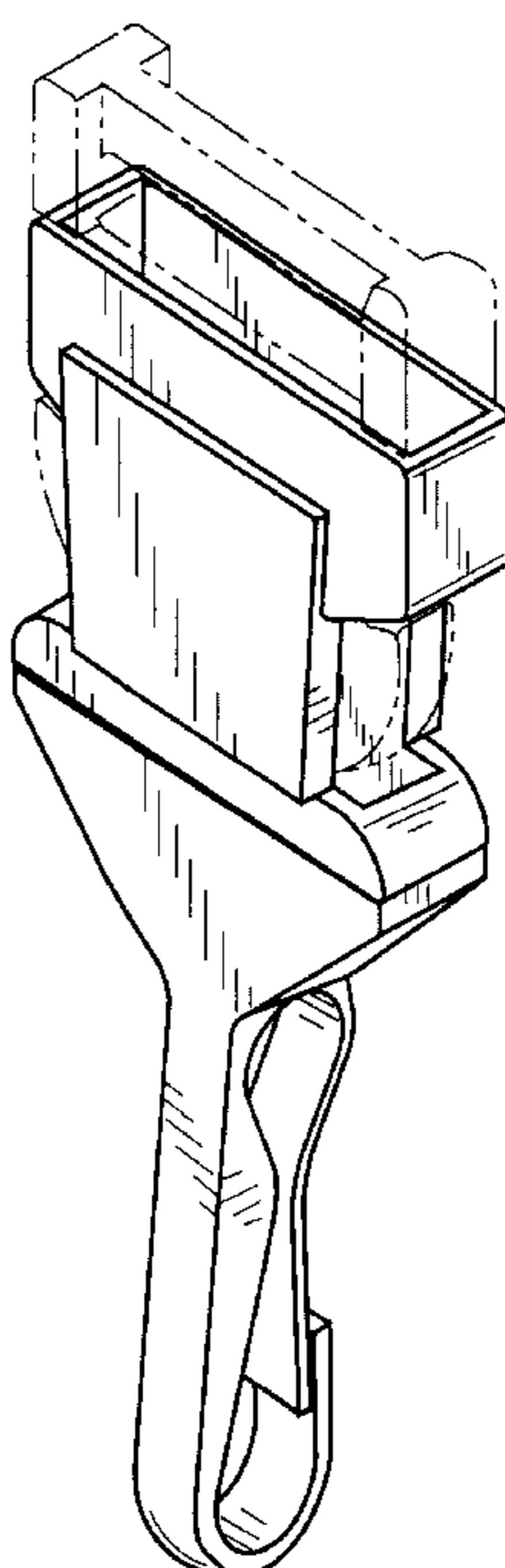
FIG. 12 is a right end view of the element of a clip structure of FIG. 8;

FIG. 13 is a top view of the element of a clip structure of FIG. 8; and,

FIG. 14 is a bottom view of the element of a clip structure of FIG. 8.

The portion of the clip structure shown in phantom lines in FIGS. 1–6 and 8–13 is for illustrative purposes only and forms no part of the claimed design.

1 Claim, 4 Drawing Sheets



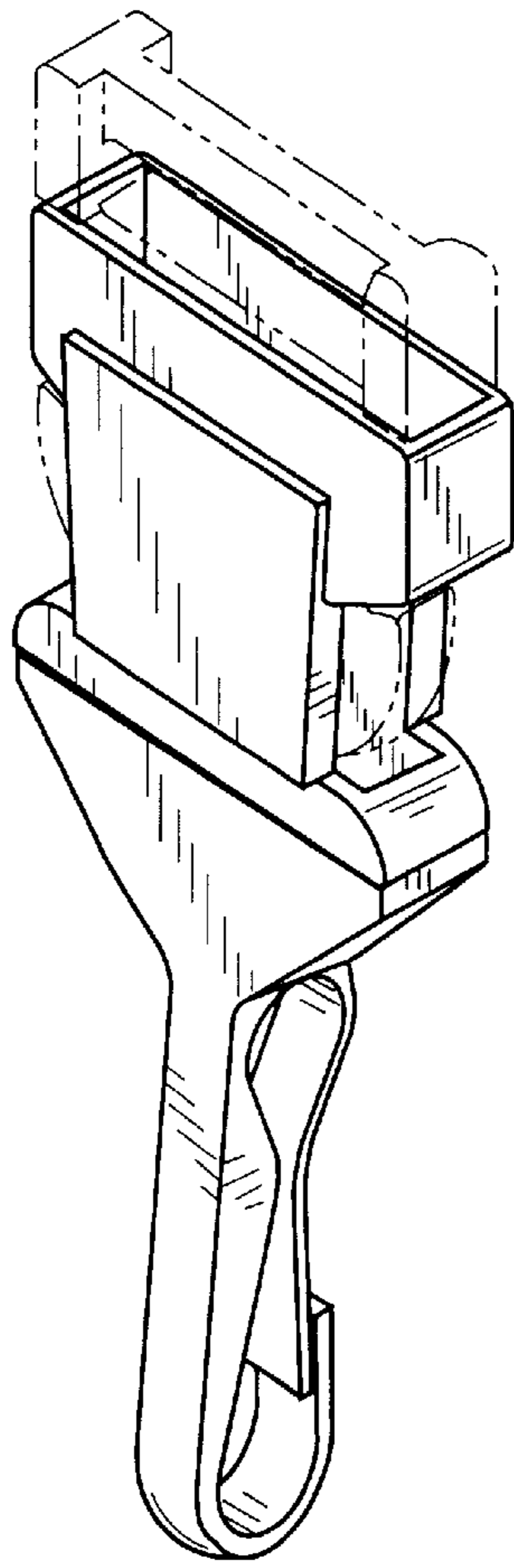


Fig. 1

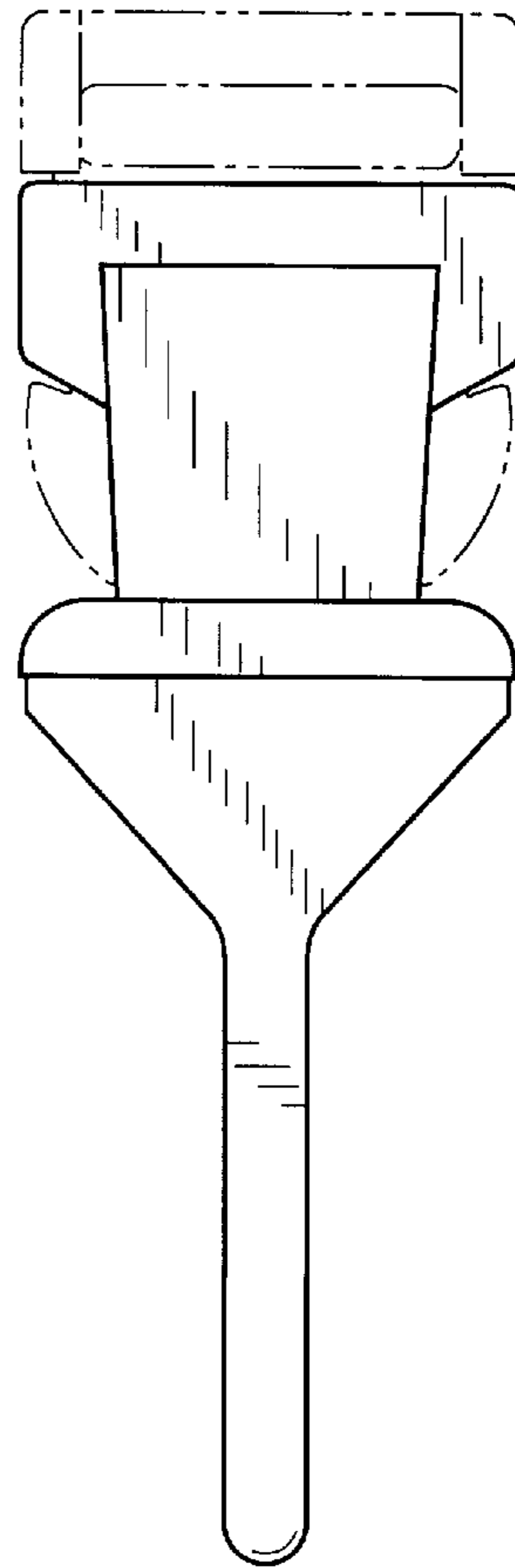


Fig. 2

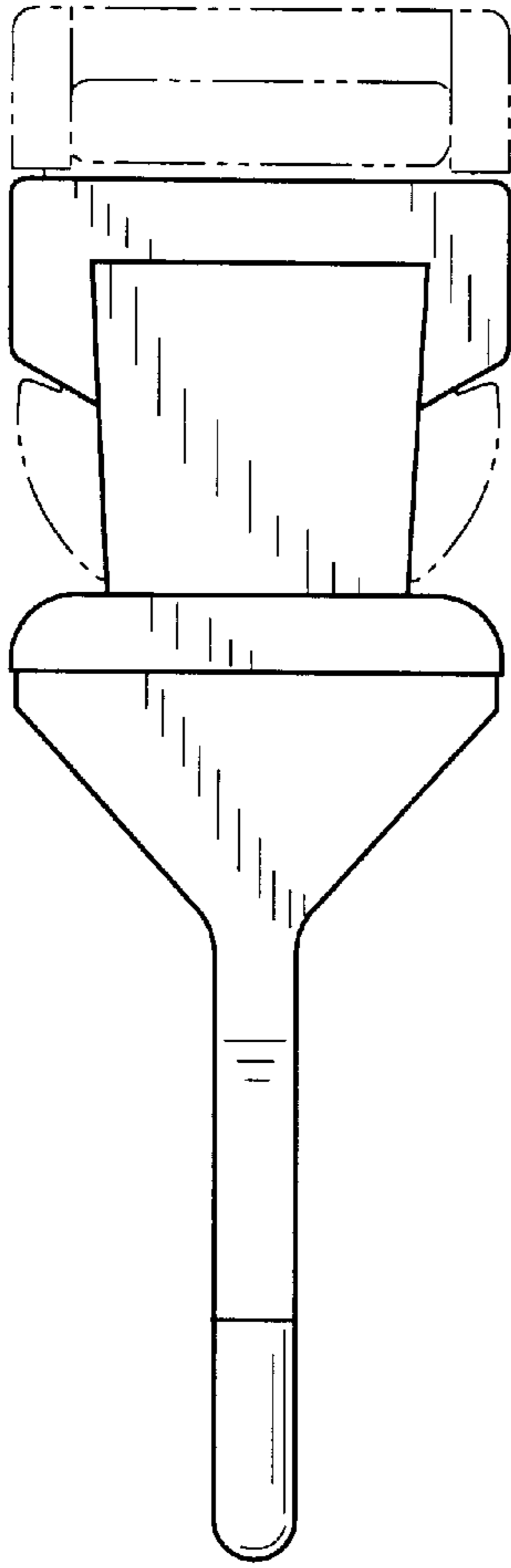


Fig. 3



Fig. 4



Fig. 5

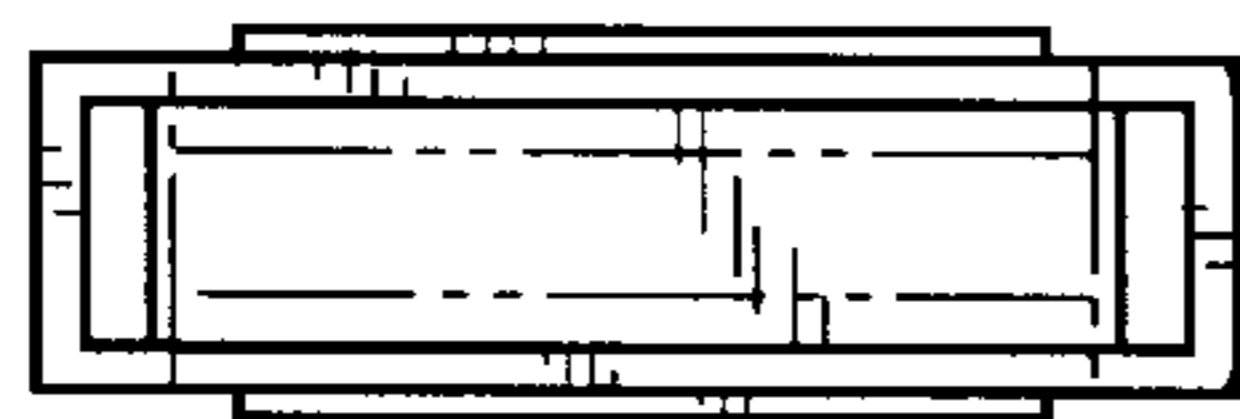


Fig. 6

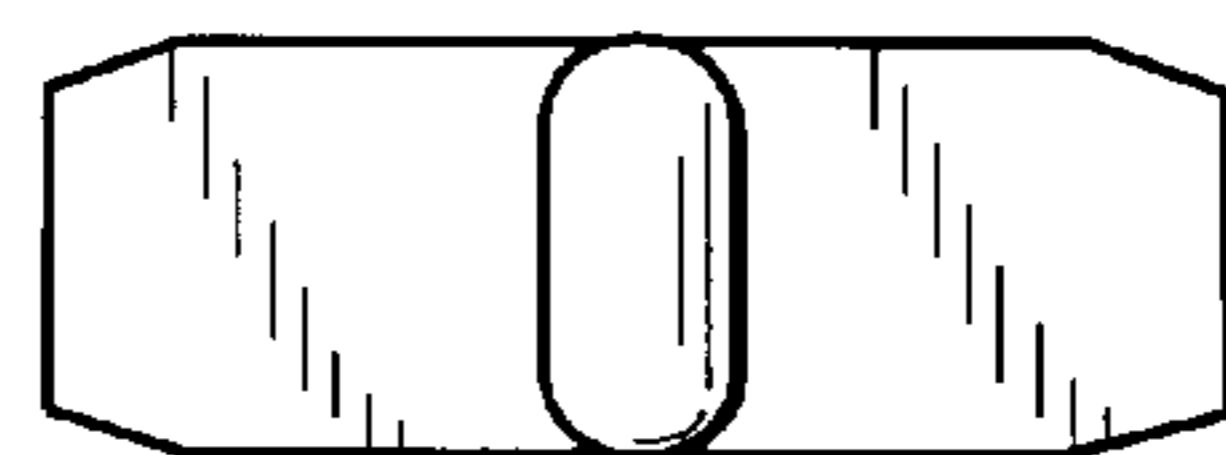


Fig. 7

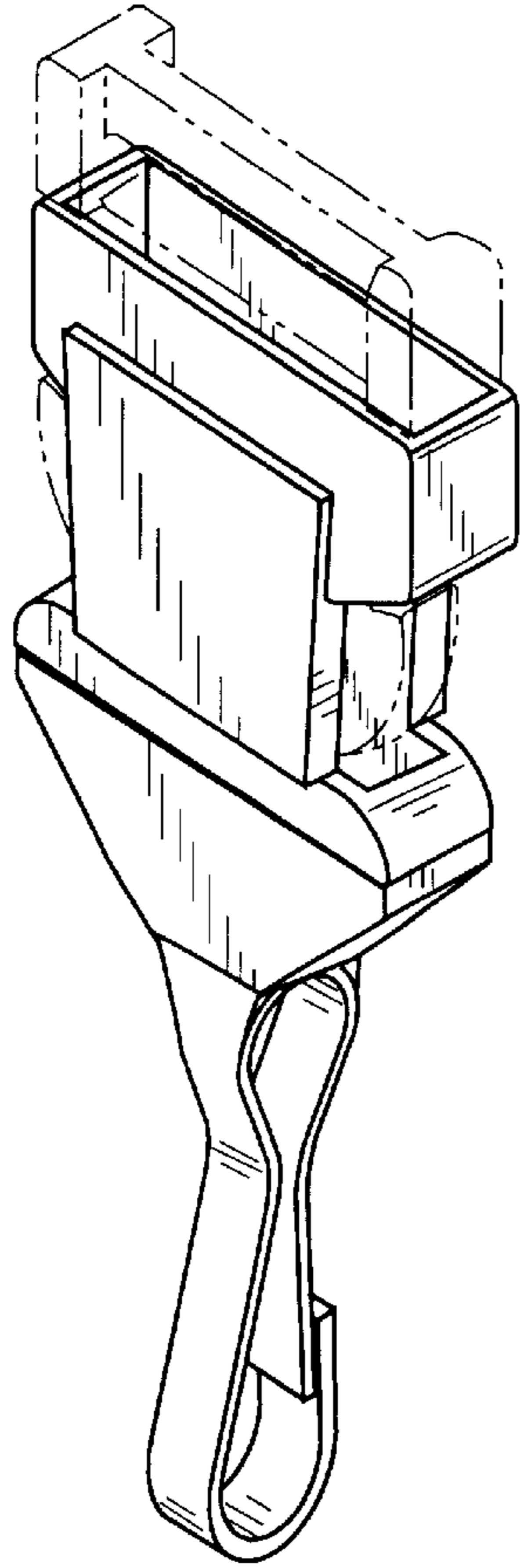


Fig. 8

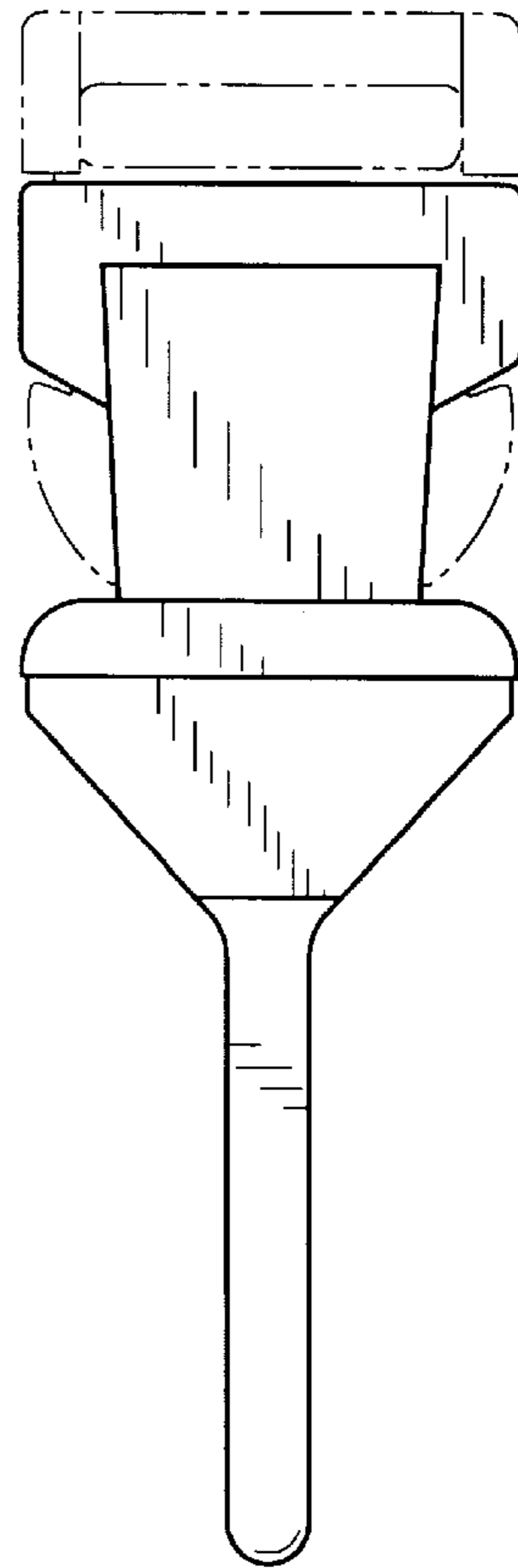


Fig. 9

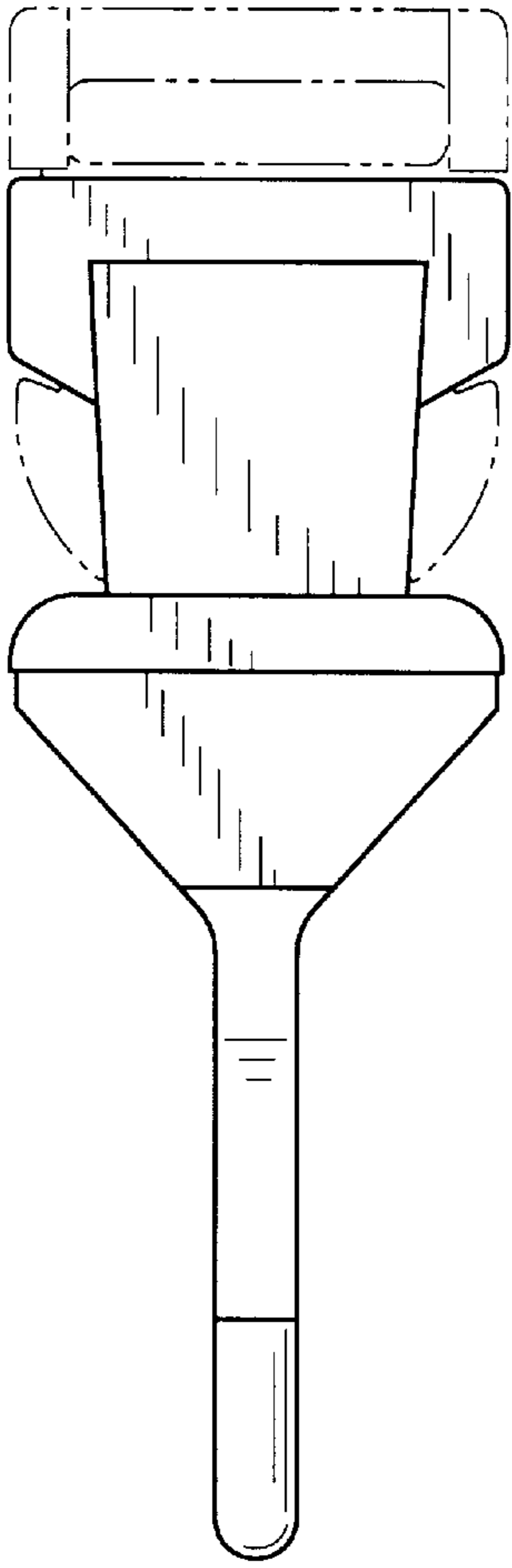


Fig. 10



Fig. 11

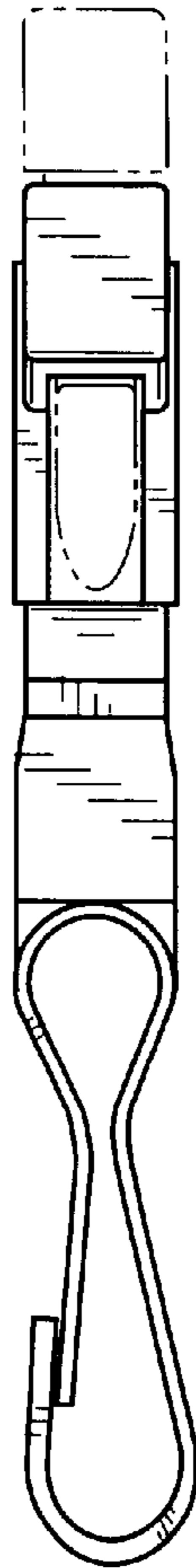


Fig. 12



Fig. 13



Fig. 14