



US00D432400S

United States Patent [19]
Chan

[11] **Patent Number: Des. 432,400**

[45] **Date of Patent: ** Oct. 24, 2000**

[54] **MAGNETIC CLASP FOR HANDBAG**

[75] Inventor: **Yu Kit Chan**, Kwai Chung, The Hong Kong Special Administrative Region of the People's Republic of China

[73] Assignee: **Kit Hart Metal Manufactory Limited**, Hong Kong, The Hong Kong Special Administrative Region of the People's Republic of China

[**] Term: **14 Years**

[21] Appl. No.: **29/100,239**

[22] Filed: **Feb. 8, 1999**

[51] **LOC (7) Cl.** **08-08**

[52] **U.S. Cl.** **D8/382; D11/220**

[58] **Field of Search** D8/382, 349, 354, D8/373; D11/220, 200, 231; 24/201, 303

[56] **References Cited**

U.S. PATENT DOCUMENTS

D. 335,266	5/1993	Morita	D11/231
D. 360,391	7/1995	Aoki	D11/220
D. 386,669	11/1997	Aoki	D8/382
D. 400,429	11/1998	Morita	D8/382
D. 403,952	1/1999	Podell	D8/382
D. 404,997	2/1999	Podell	D8/382
D. 413,282	8/1999	Aoki	D11/220

Primary Examiner—Louis S. Zarfaz
Assistant Examiner—Catherine R. Oliver

Attorney, Agent, or Firm—Alix, Yale & Ristas, LLP

[57] **CLAIM**

The ornamental design for a magnetic clasp for handbag, as shown and described.

DESCRIPTION

FIG. 1 is a front perspective view from above of the magnetic clasp for handbag showing my new design; FIG. 2 is a front perspective view from above of the magnetic clasp for handbag of FIG. 1 showing the clasp in separated form;

FIG. 3 is a front perspective view from below of the magnetic clasp for handbag of FIG. 1;

FIG. 4 is a front perspective view from below of the magnetic clasp for handbag of FIG. 1 showing the clasp in separated form;

FIG. 5 is a front view of the magnetic clasp for handbag of FIG. 1;

FIG. 6 is a rear view of the magnetic clasp for handbag of FIG. 1;

FIG. 7 is a left side view of the magnetic clasp for handbag of FIG. 1;

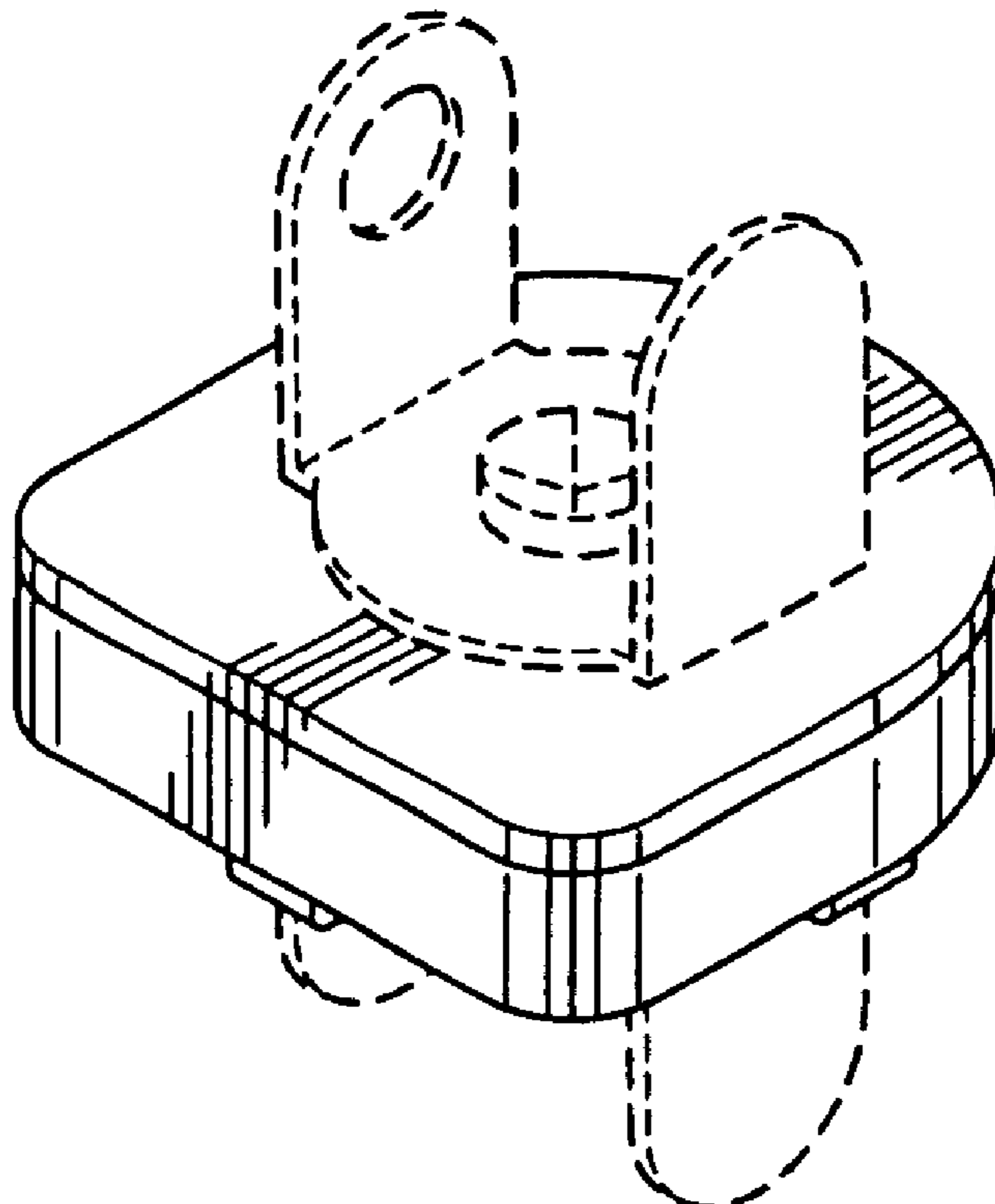
FIG. 8 is a right side view of the magnetic clasp for handbag of FIG. 1;

FIG. 9 is a top plan view of the magnetic clasp for handbag of FIG. 1; and,

FIG. 10 is a bottom plan view of the magnetic clasp for handbag of FIG. 1.

The portions shown in broken lines form no part of the ornamental design.

1 Claim, 2 Drawing Sheets



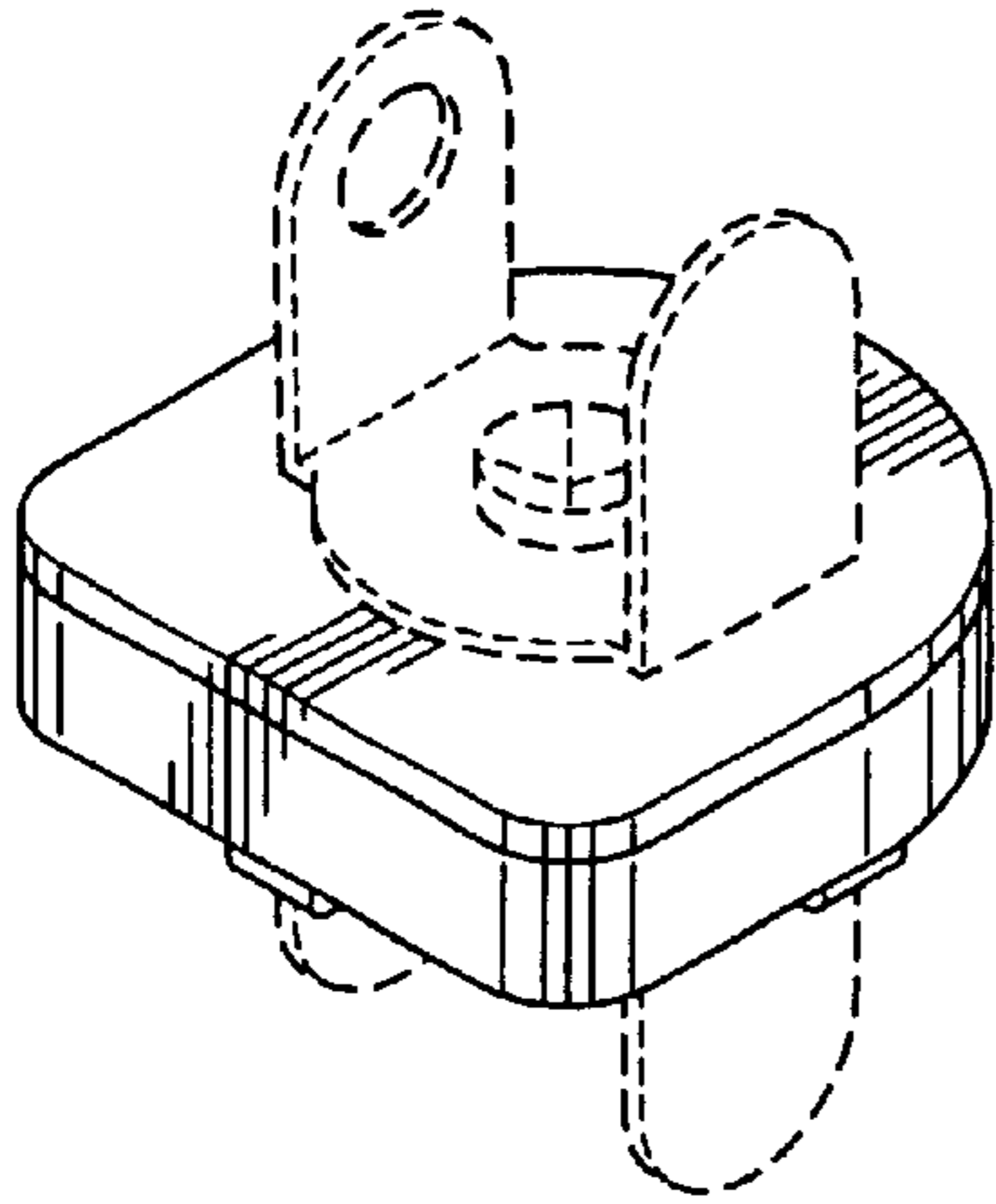


FIG. 1

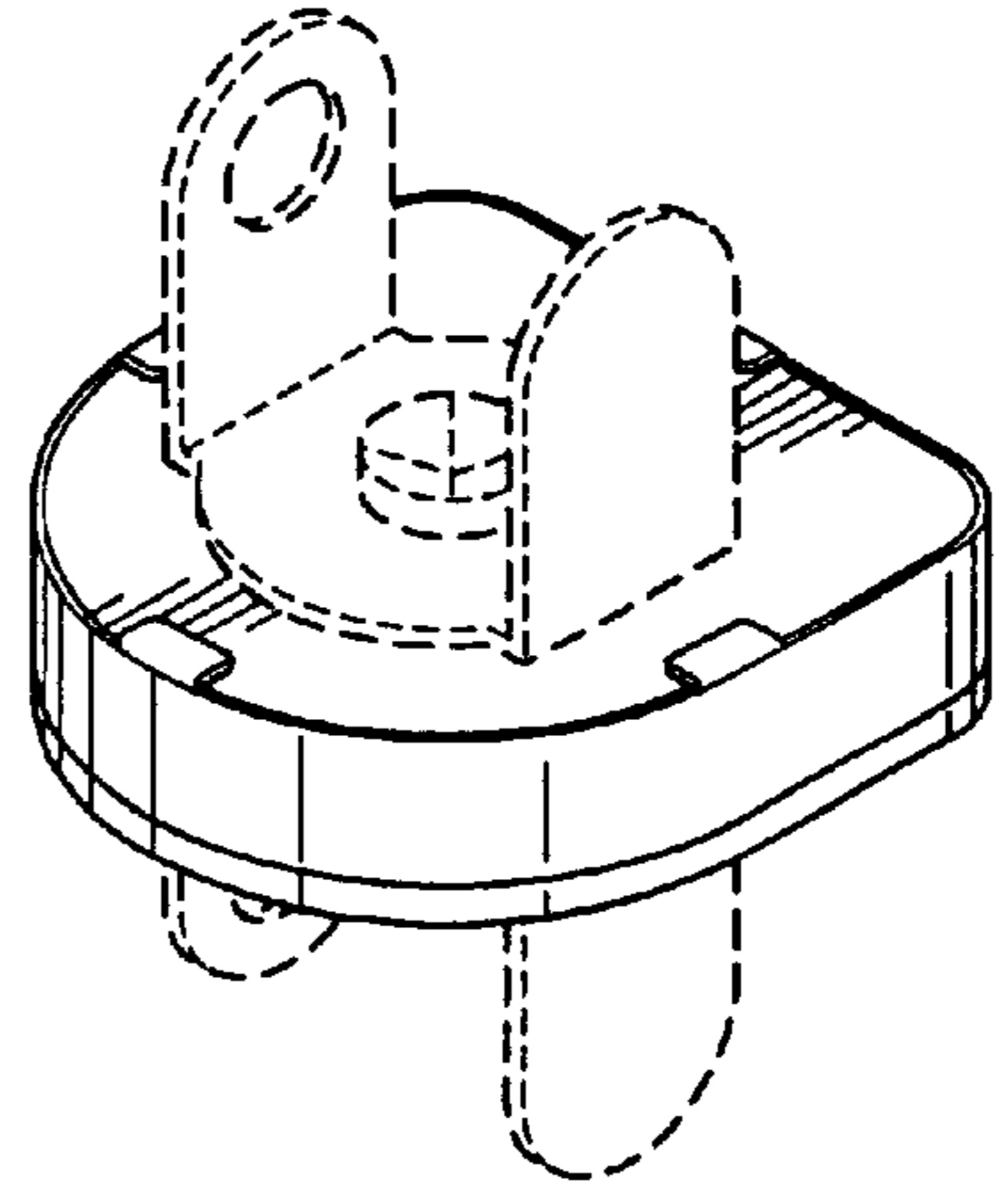


FIG. 3

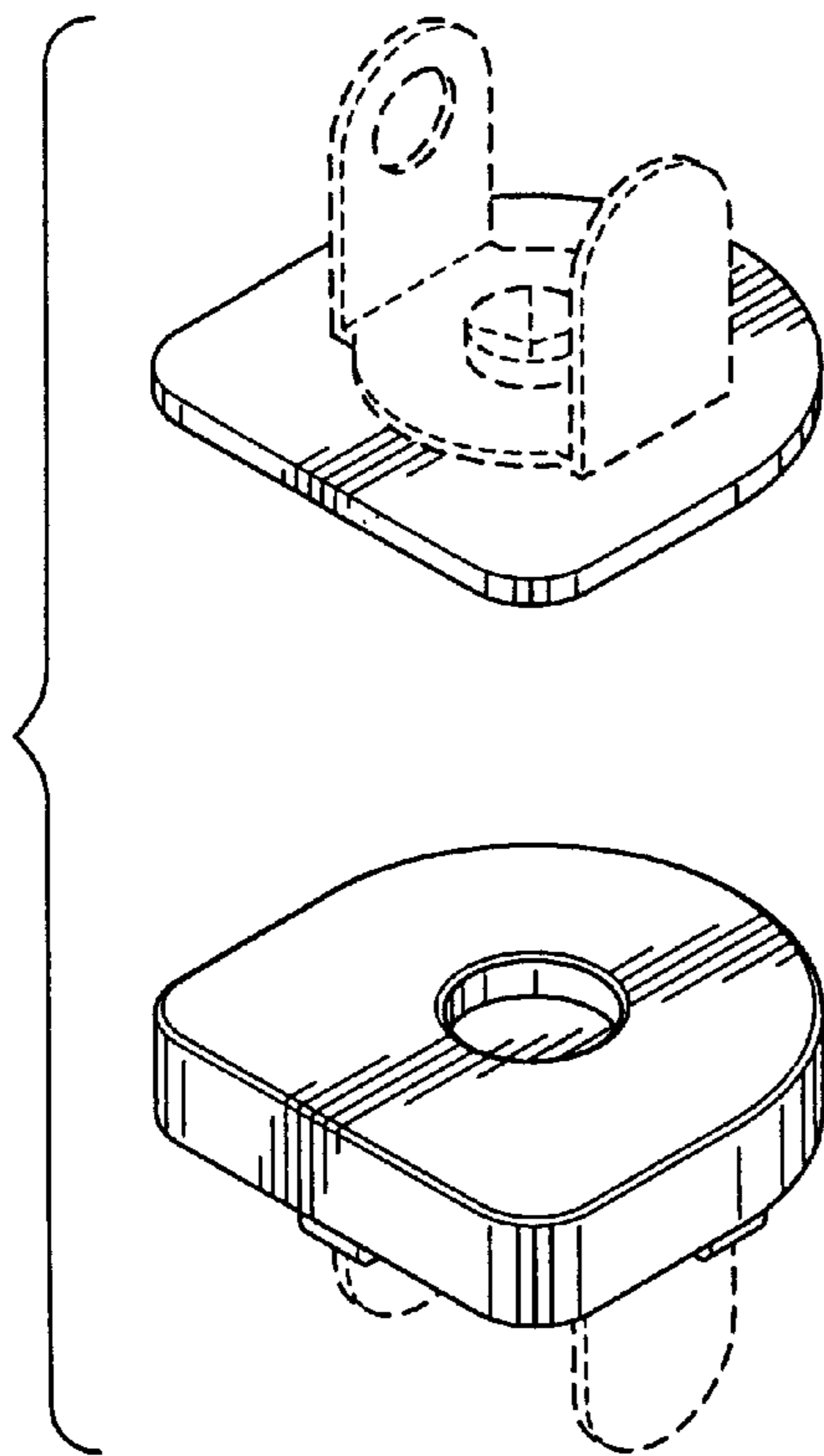


FIG. 2

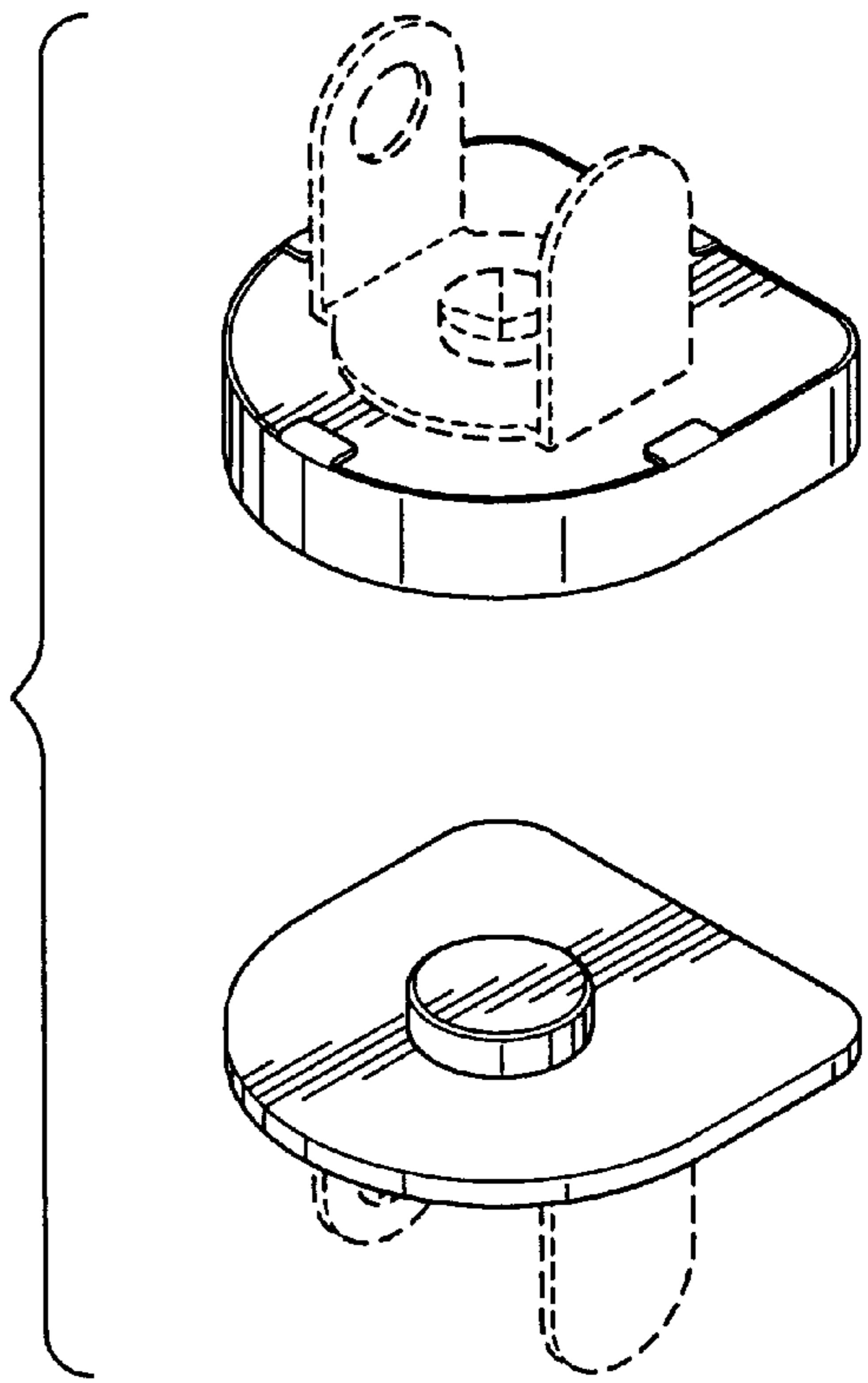


FIG. 4

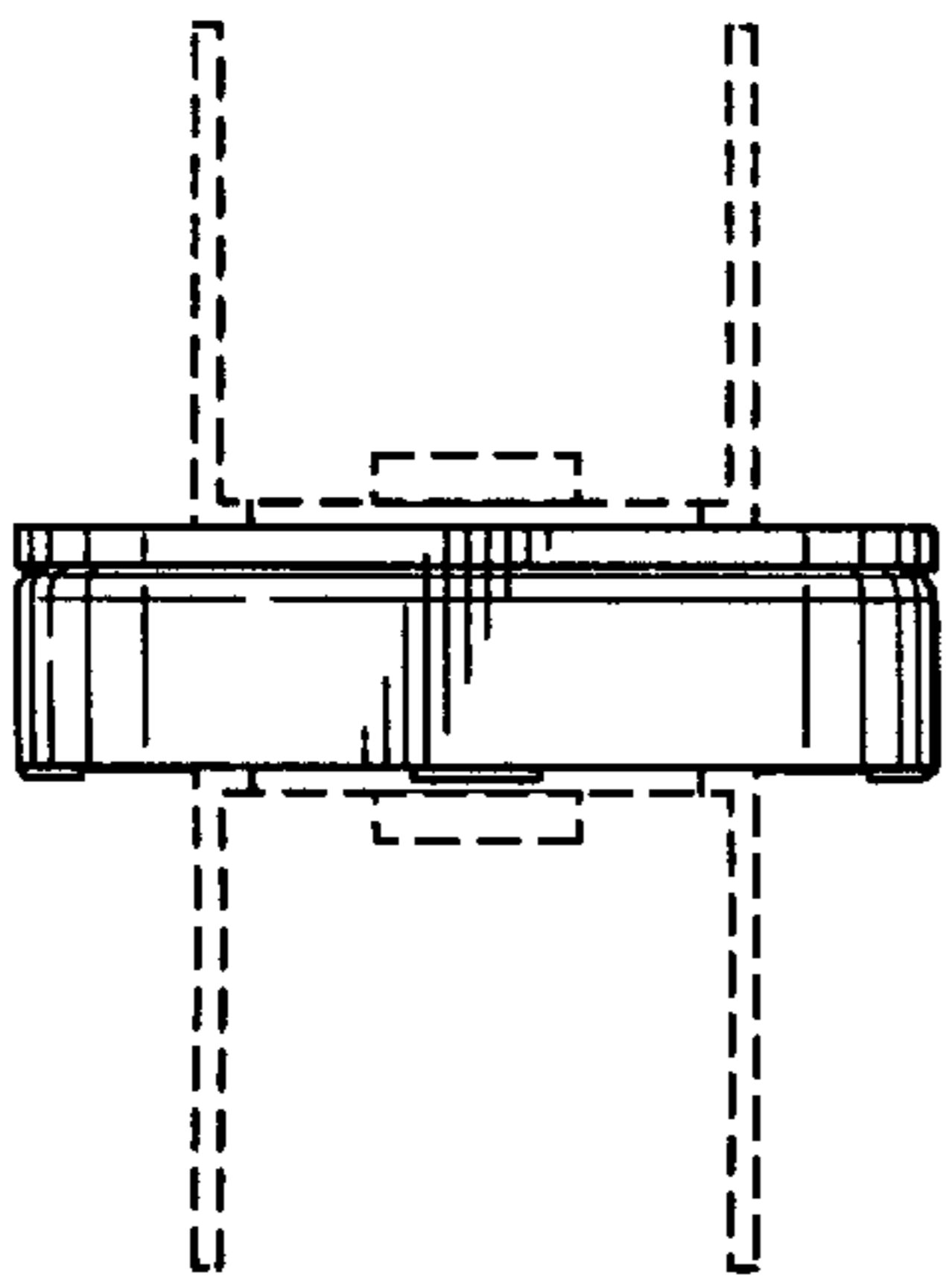


FIG. 5

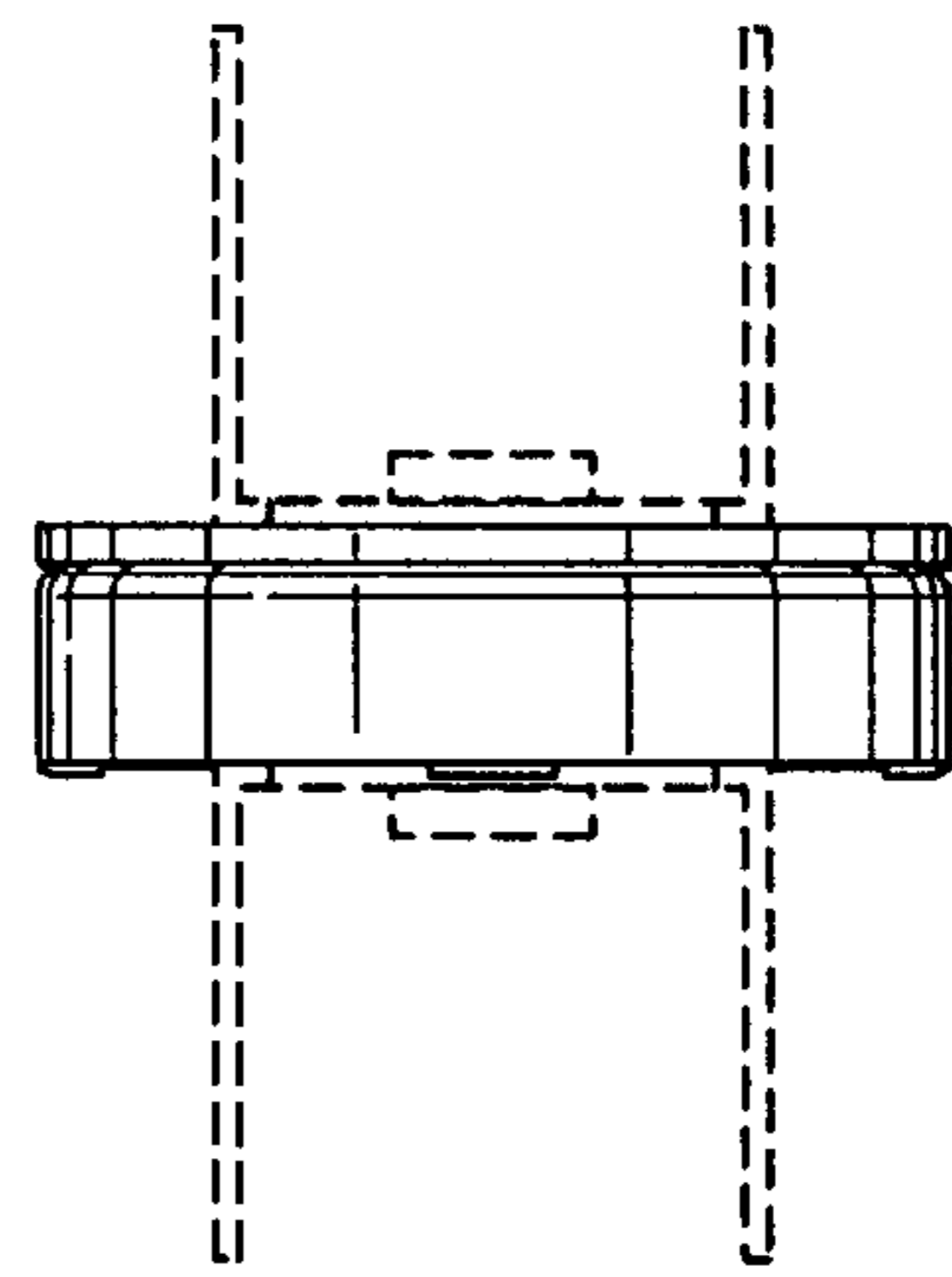


FIG. 6

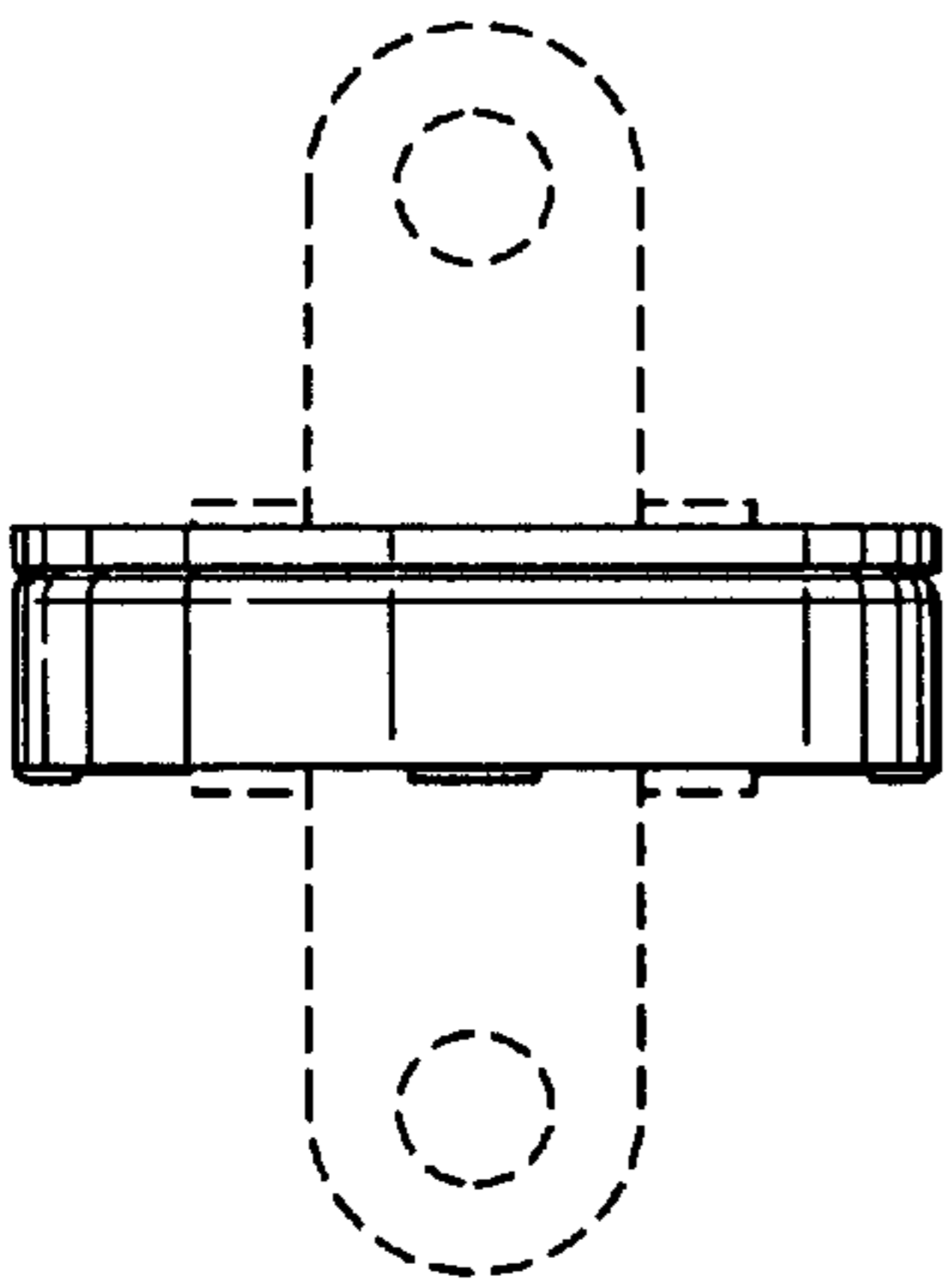


FIG. 7

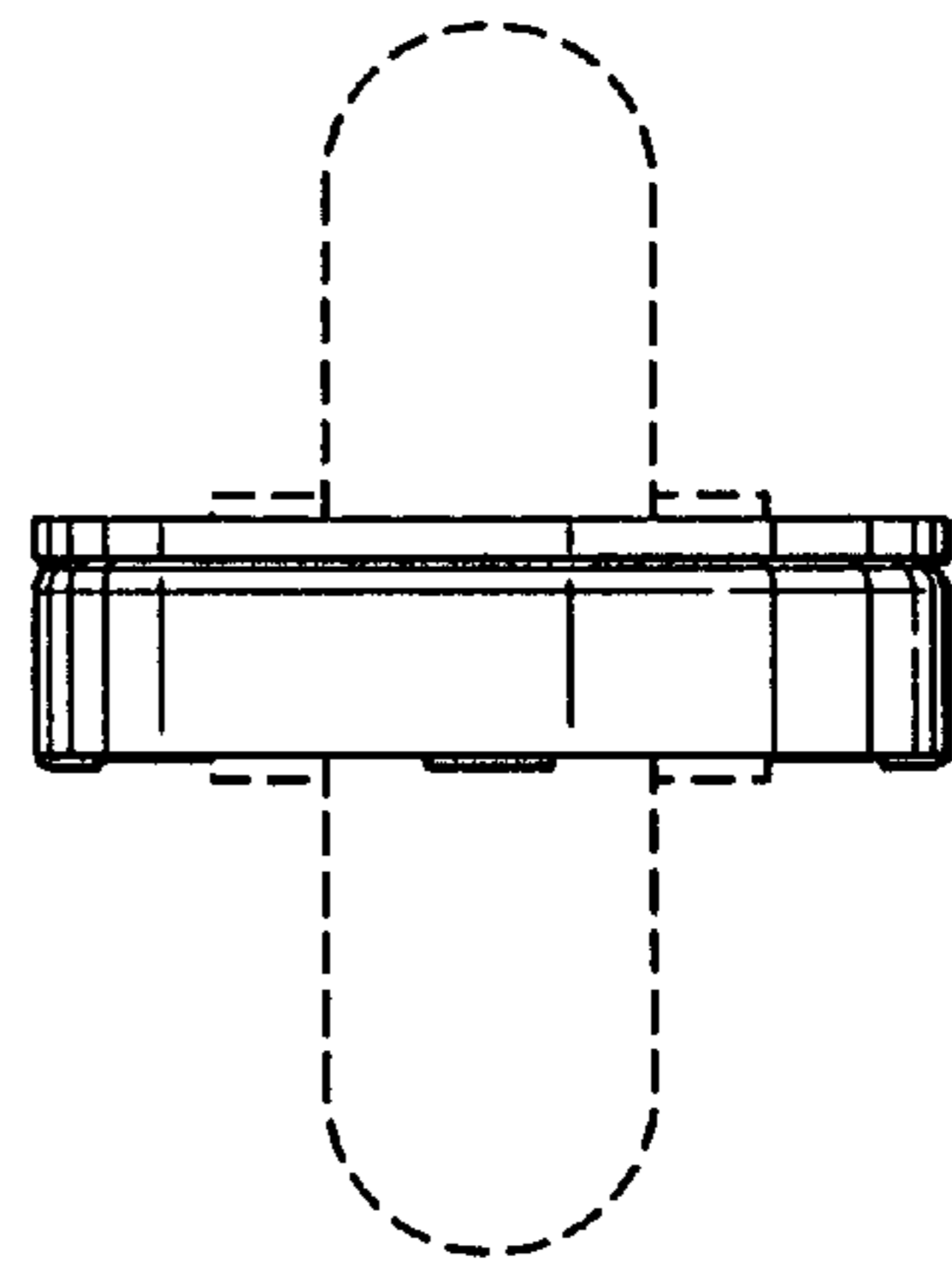


FIG. 8

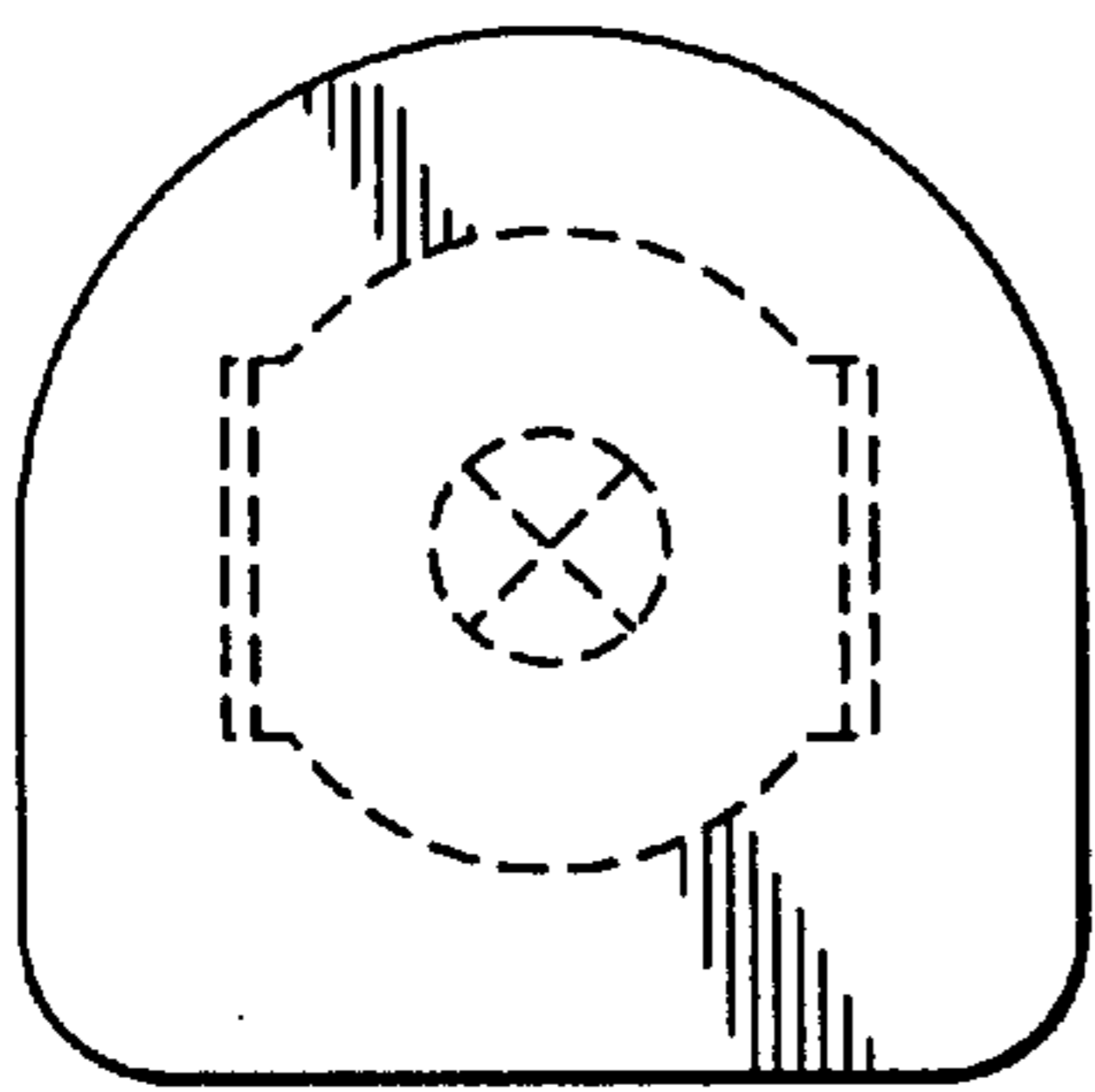


FIG. 9

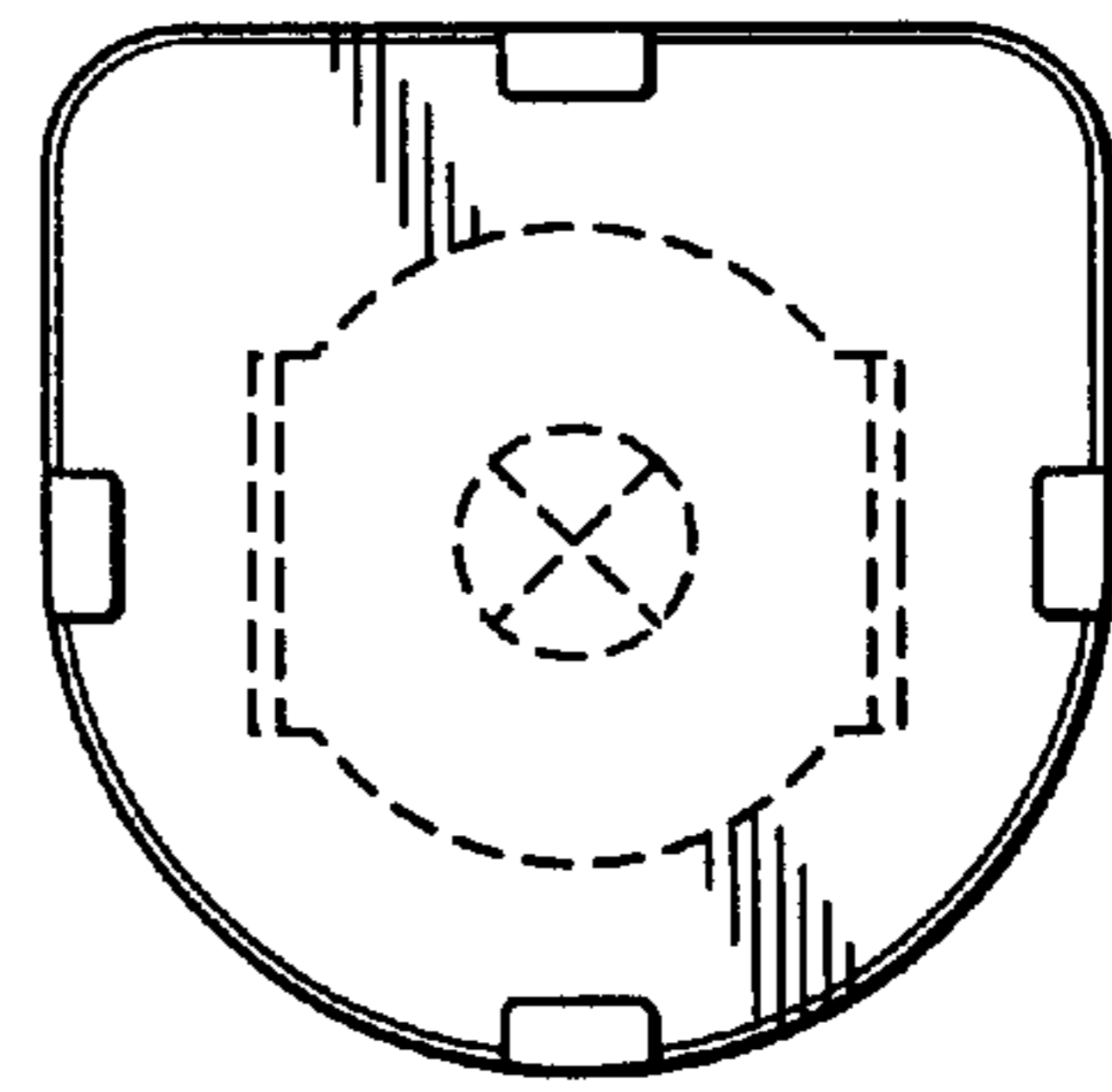


FIG. 10