



US00D432398S

# United States Patent [19]

Graves et al.

[11] Patent Number: **Des. 432,398**

[45] Date of Patent: **\*\* Oct. 24, 2000**

[54] **FINIAL**

D. 64,927 6/1924 Newland ..... D8/378  
1,575,795 3/1926 Sample ..... 428/28

[75] Inventors: **Brain Graves; Zhiwei Xu**, both of San Diego, Calif.

*Primary Examiner*—Holly Baynham  
*Attorney, Agent, or Firm*—Dobrusin Darden Thennisch Law Firm PLLC

[73] Assignee: **Beme International LLC**, San Diego, Calif.

[\*\*] Term: **14 Years**

### [57] CLAIM

The ornamental design for a finial, as shown.

[21] Appl. No.: **29/109,584**

### DESCRIPTION

[22] Filed: **Aug. 18, 1999**

FIG. 1 shows a bottom plan view of a finial incorporating our design.

[51] **LOC (7) Cl.** ..... **08-05**

[52] **U.S. Cl.** ..... **D8/378**

FIG. 2 shows a left side elevational view of the finial shown in FIG. 1, the right side elevational view being identical to the left side view; and,

[58] **Field of Search** ..... D8/378; D26/154; 428/28

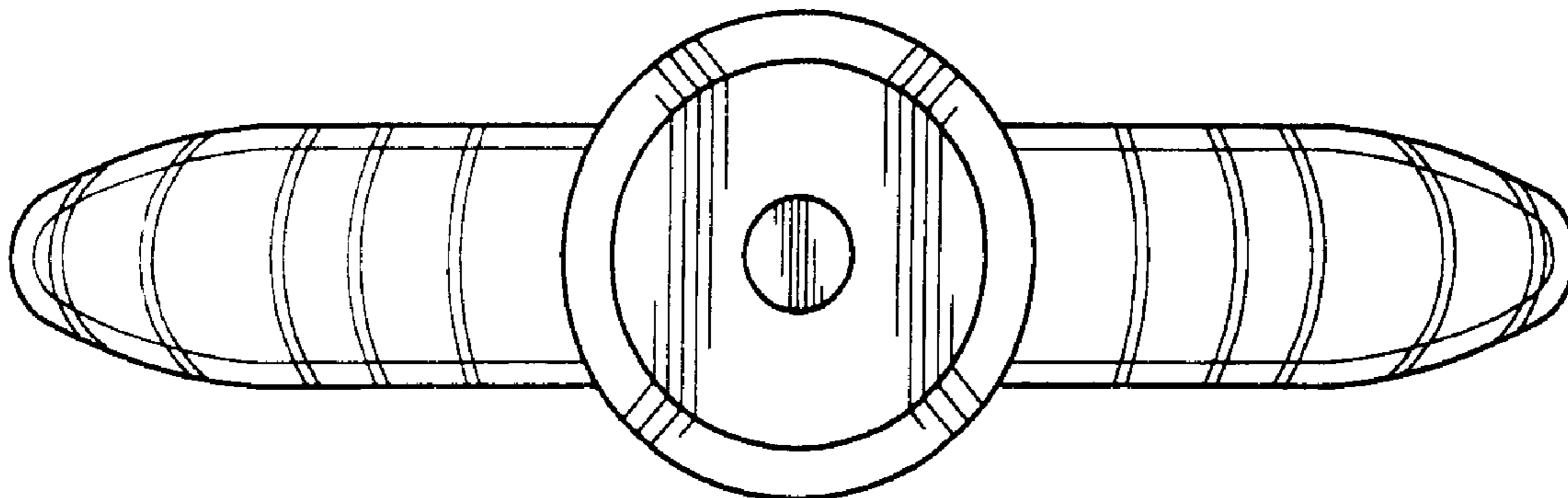
FIG. 3 shows a front elevational view of the finial shown in FIG. 1, the rear elevational view being the mirror image of the front view.

### [56] References Cited

#### U.S. PATENT DOCUMENTS

D. 61,905 2/1923 Crowell ..... D8/378

**1 Claim, 1 Drawing Sheet**



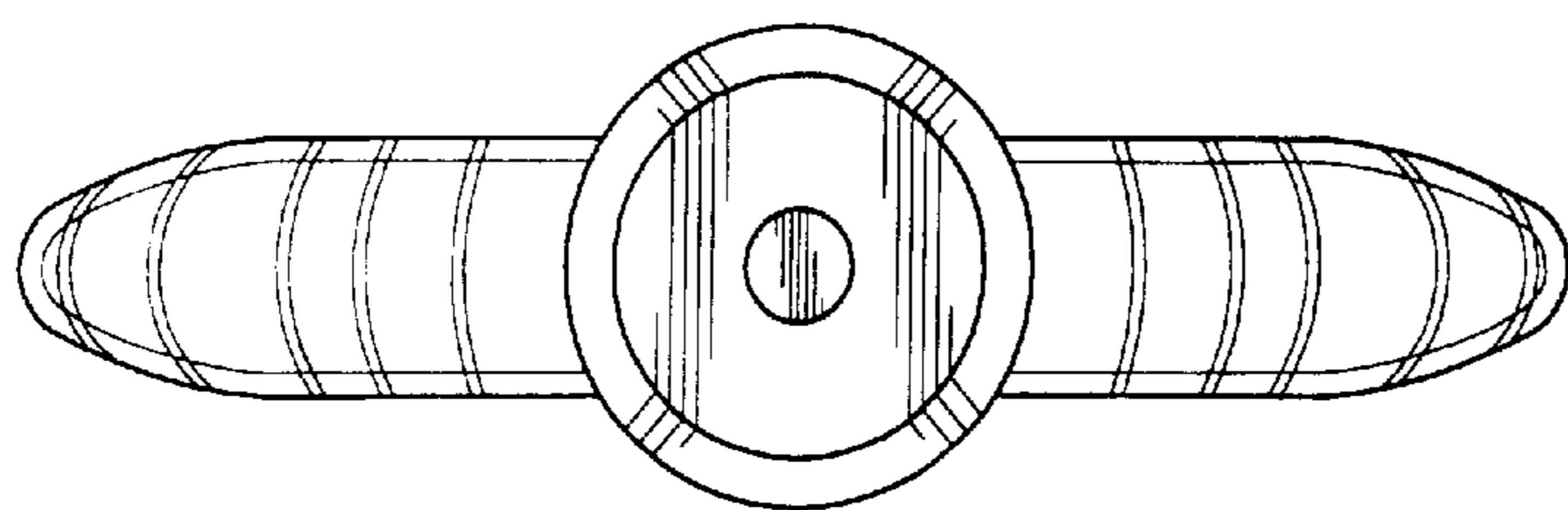


Fig-1

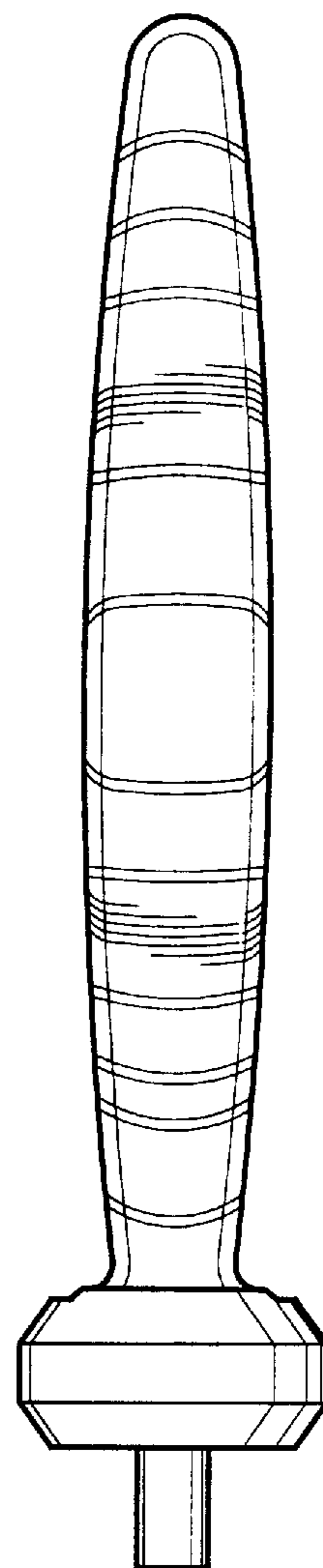


Fig-2

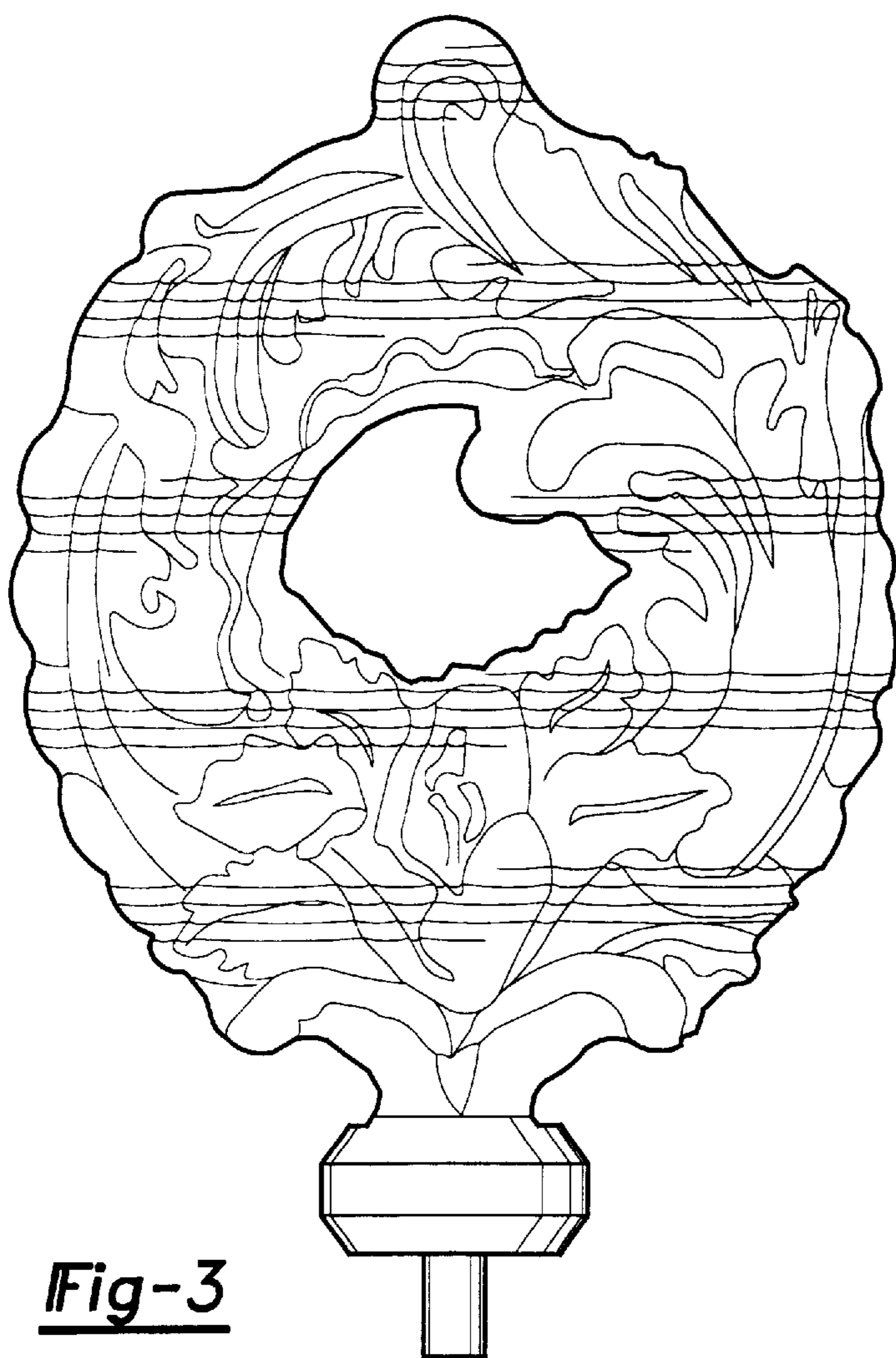


Fig-3