



US00D432397S

United States Patent [19]
Bohrer

[11] **Patent Number: Des. 432,397**

[45] **Date of Patent: ** Oct. 24, 2000**

[54] **REEL**

[76] **Inventor: Lee A. Bohrer, 306 Terra View West, Mankato, Minn. 56001**

[**] **Term: 14 Years**

[21] **Appl. No.: 29/113,513**

[22] **Filed: Nov. 5, 1999**

[51] **LOC (7) Cl. 08-05**

[52] **U.S. Cl. D8/359**

[58] **Field of Search D8/358-359; 191/12.2 R; 242/405.3, 405.1, 604.1**

4,993,449 2/1991 Stutzman et al. .
5,109,882 5/1992 Eley .
5,284,181 2/1994 Bloch .
5,372,225 12/1994 Joynes et al. 191/12.2 R
5,526,997 6/1996 Karczmer 191/12.2 R X

*Primary Examiner—Holly Baynham
Attorney, Agent, or Firm—Moore & Hansen*

[57] **CLAIM**

The ornamental design for reel, as shown and described.

DESCRIPTION

FIG. 1 is a perspective view of an embodiment of the new design;

FIG. 2 is a front elevational view thereof, the rear elevational view being the mirror image of FIG. 2;

FIG. 3 is a bottom elevational view, thereof the top elevational view being a mirror image of FIG. 3;

FIG. 4 is a left side elevational view thereof; and,

FIG. 5 is a right side elevational view thereof.

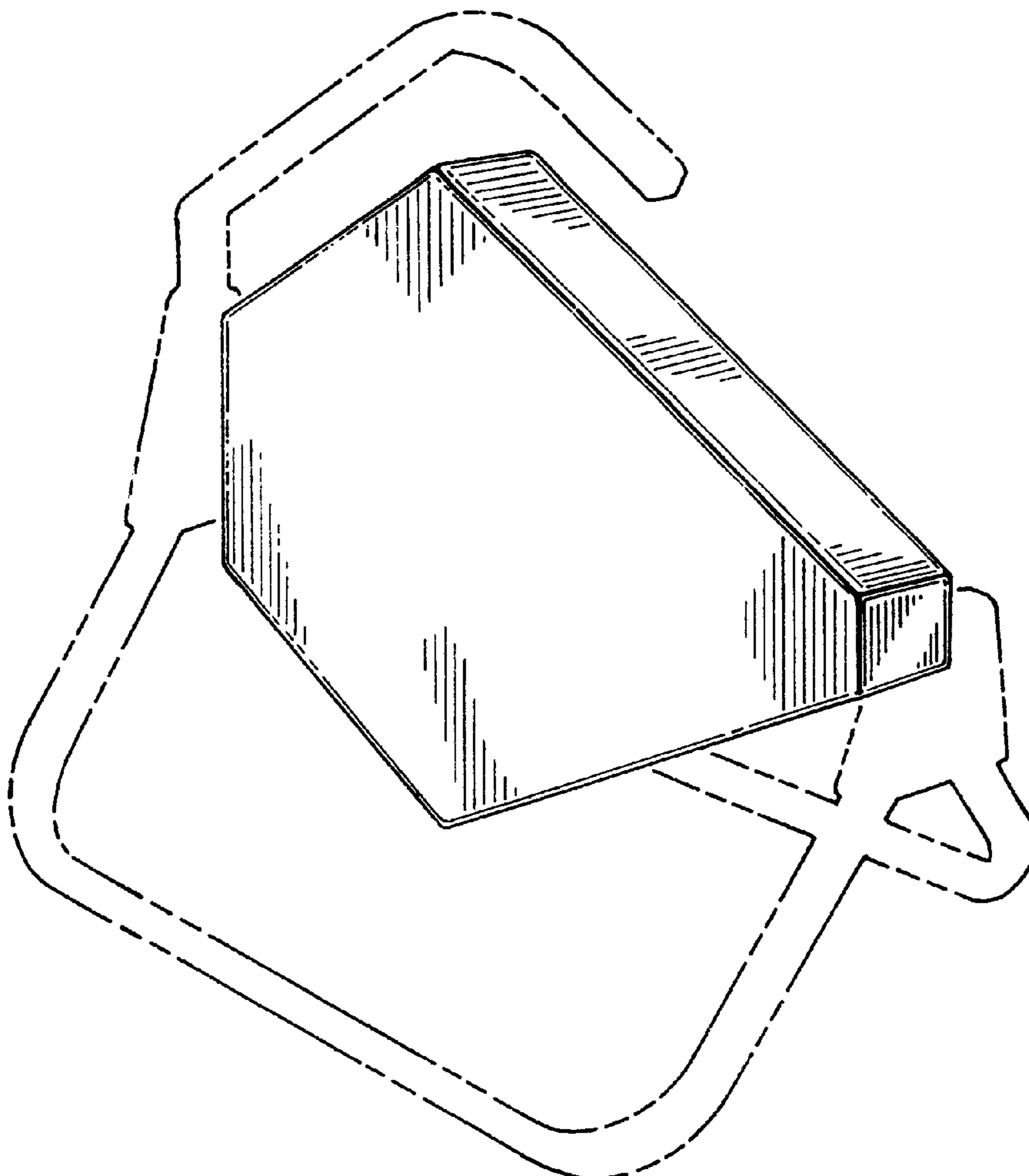
The broken lines showing a supporting frame are for illustrative purposes only and form no part of the claimed design.

[56] **References Cited**

U.S. PATENT DOCUMENTS

D. 310,207	8/1990	Sheps	D13/184
D. 391,549	3/1998	Ness	D13/140
2,488,039	11/1949	Sketchley .	
2,659,540	11/1953	Sketchley .	
3,175,574	3/1965	Morford .	
4,012,002	3/1977	McDonald et al. .	
4,676,267	6/1987	Wang .	
4,773,113	9/1988	Russell .	

1 Claim, 2 Drawing Sheets



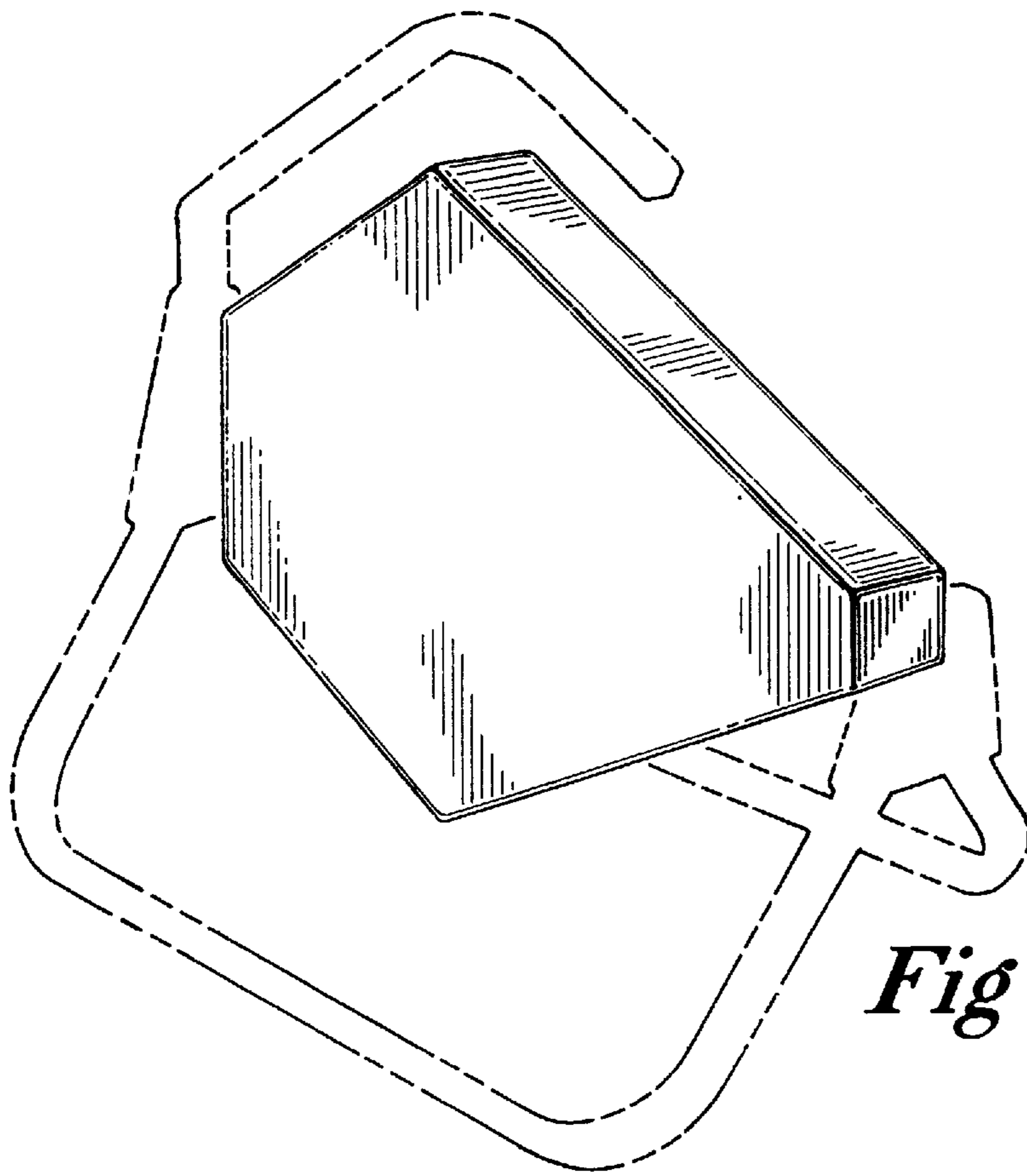


Fig 1

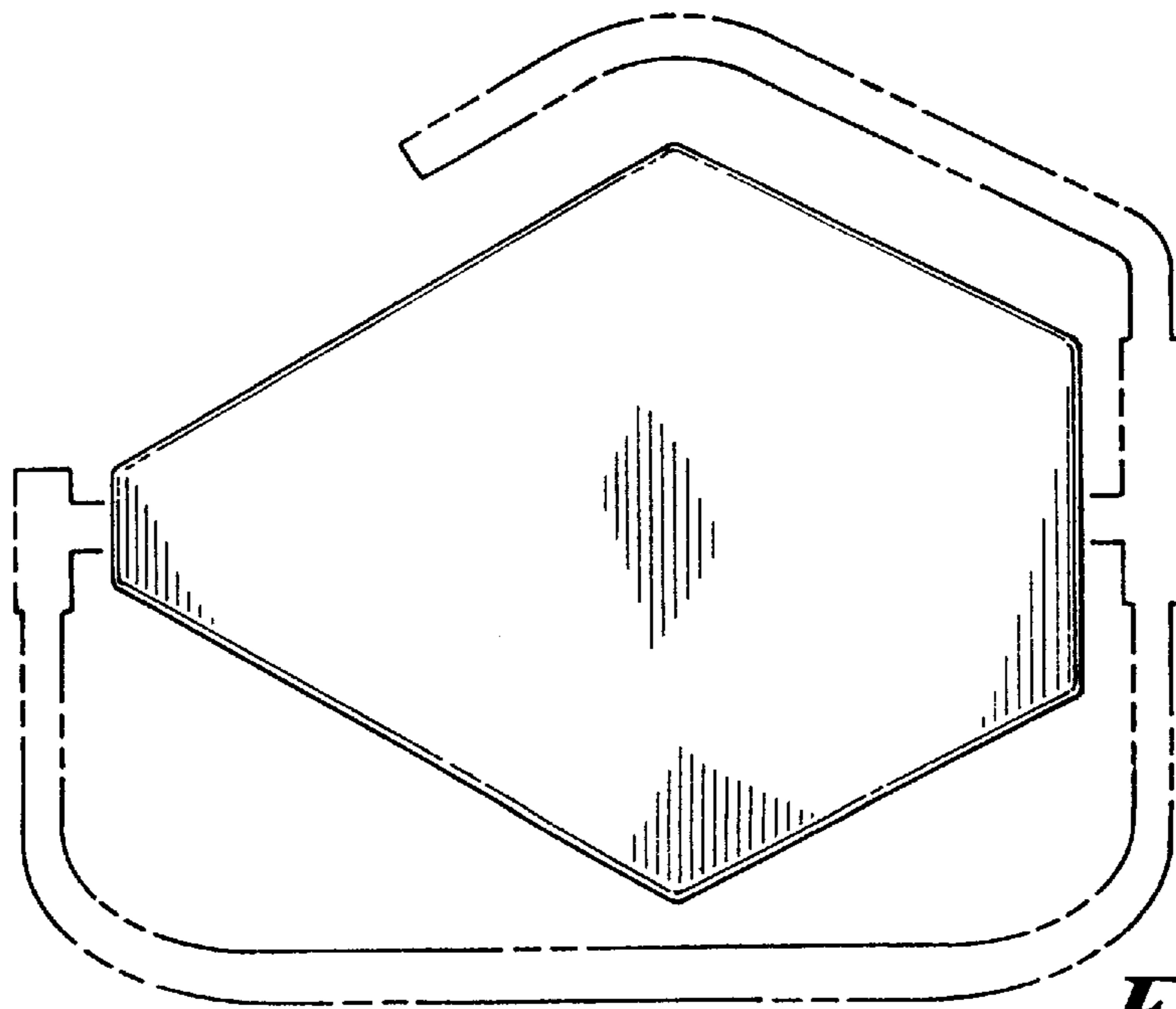


Fig 2

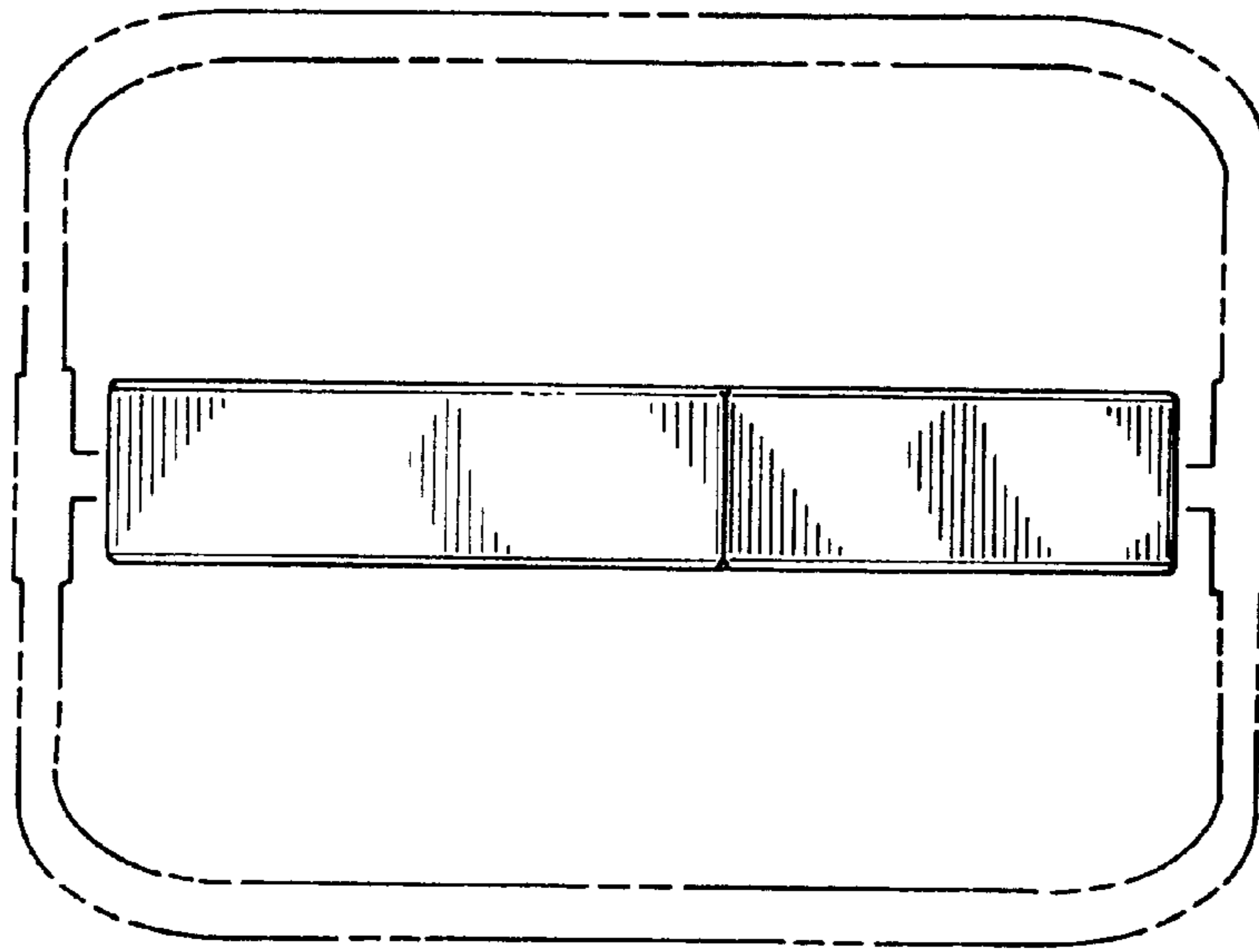


Fig 3

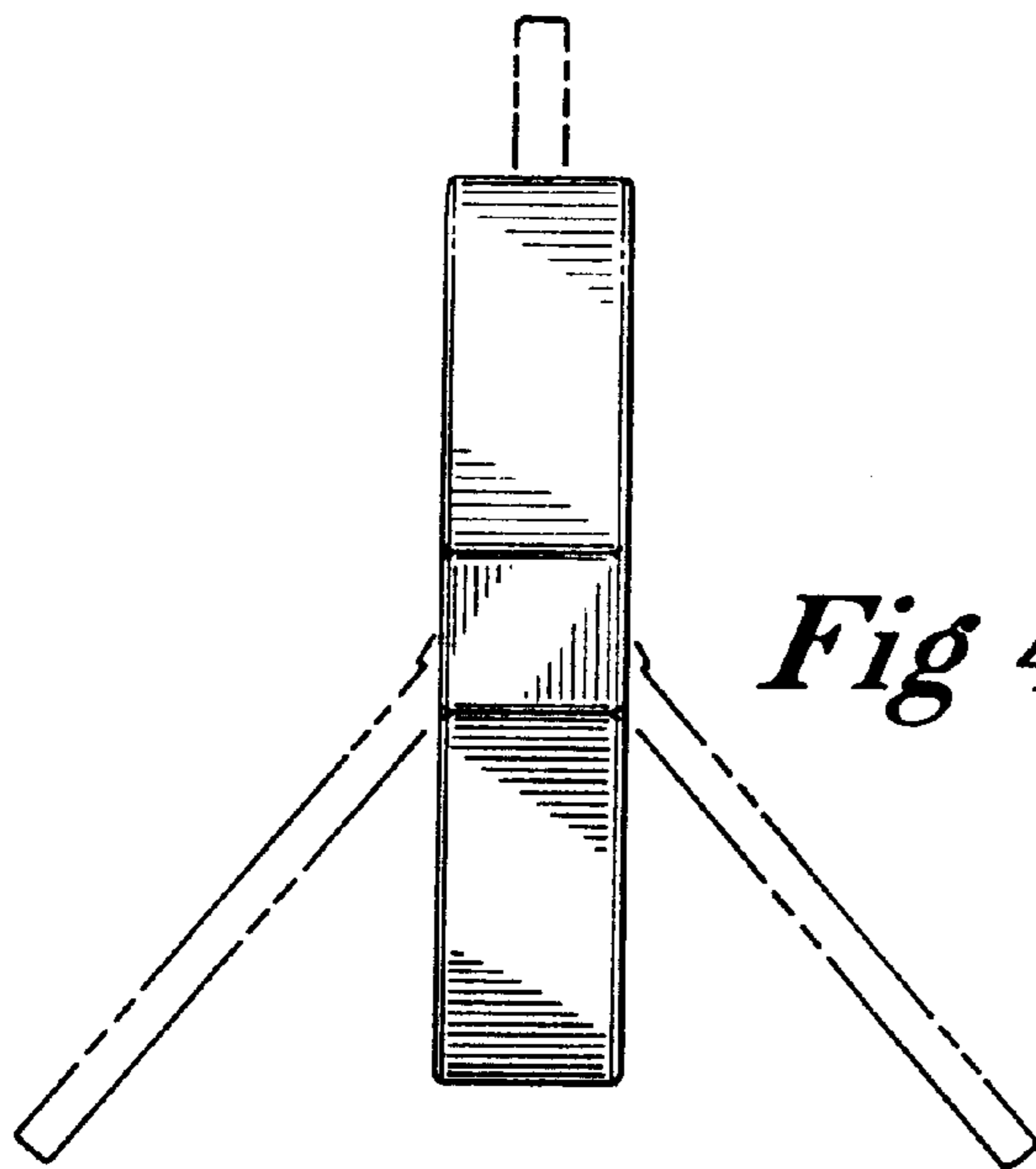


Fig 4

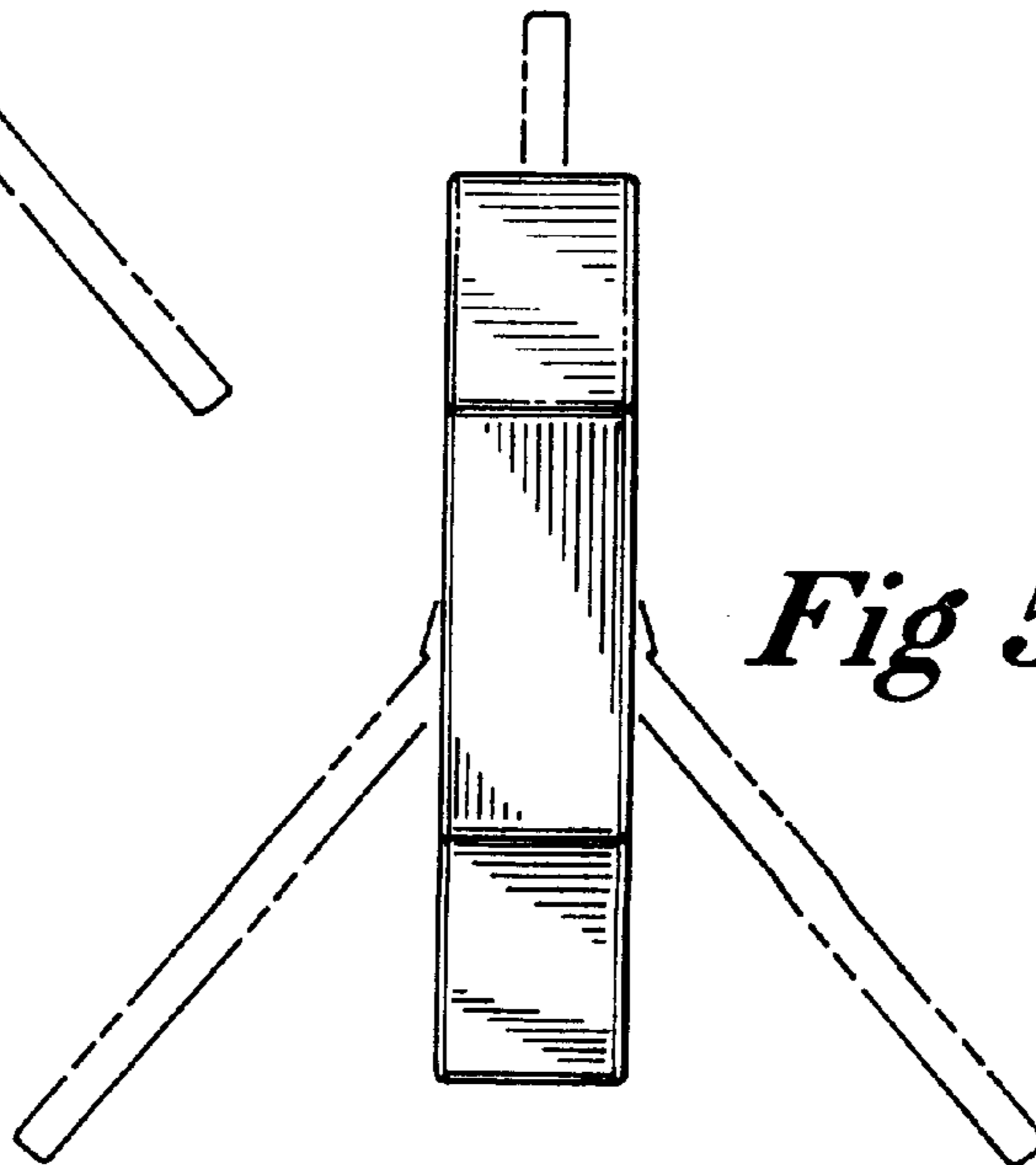


Fig 5