



US00D432396S

United States Patent [19]

Barthel

[11] **Patent Number: Des. 432,396**

[45] **Date of Patent: ** Oct. 24, 2000**

[54] **WIRE SPOOL**

[75] Inventor: **Bernd Barthel**, Herborn-Merkenbach, Germany

[73] Assignee: **Berkenhoff GmbH**, Heuchelheim, Germany

[**] Term: **14 Years**

[21] Appl. No.: **29/111,280**

[22] Filed: **Sep. 23, 1999**

[30] **Foreign Application Priority Data**

Mar. 27, 1999 [DE] Germany 499 03 369

[51] **LOC (7) Cl.** **08-05**

[52] **U.S. Cl.** **D8/358**

[58] **Field of Search** D8/358; 242/405.3, 242/403.1, 608.7, 129.5; D3/24

[56] **References Cited**

U.S. PATENT DOCUMENTS

D. 281,482 11/1985 Suzuki D8/358

D. 290,340 6/1987 McCaffrey D8/358
D. 390,093 2/1998 Spear et al. D8/358
D. 409,476 5/1999 Kusakari D8/358
5,143,316 9/1992 Goetz et al. 242/129.5

Primary Examiner—Holly Baynham
Attorney, Agent, or Firm—Flynn, Thiel, Boutell & Tanis, P.C.

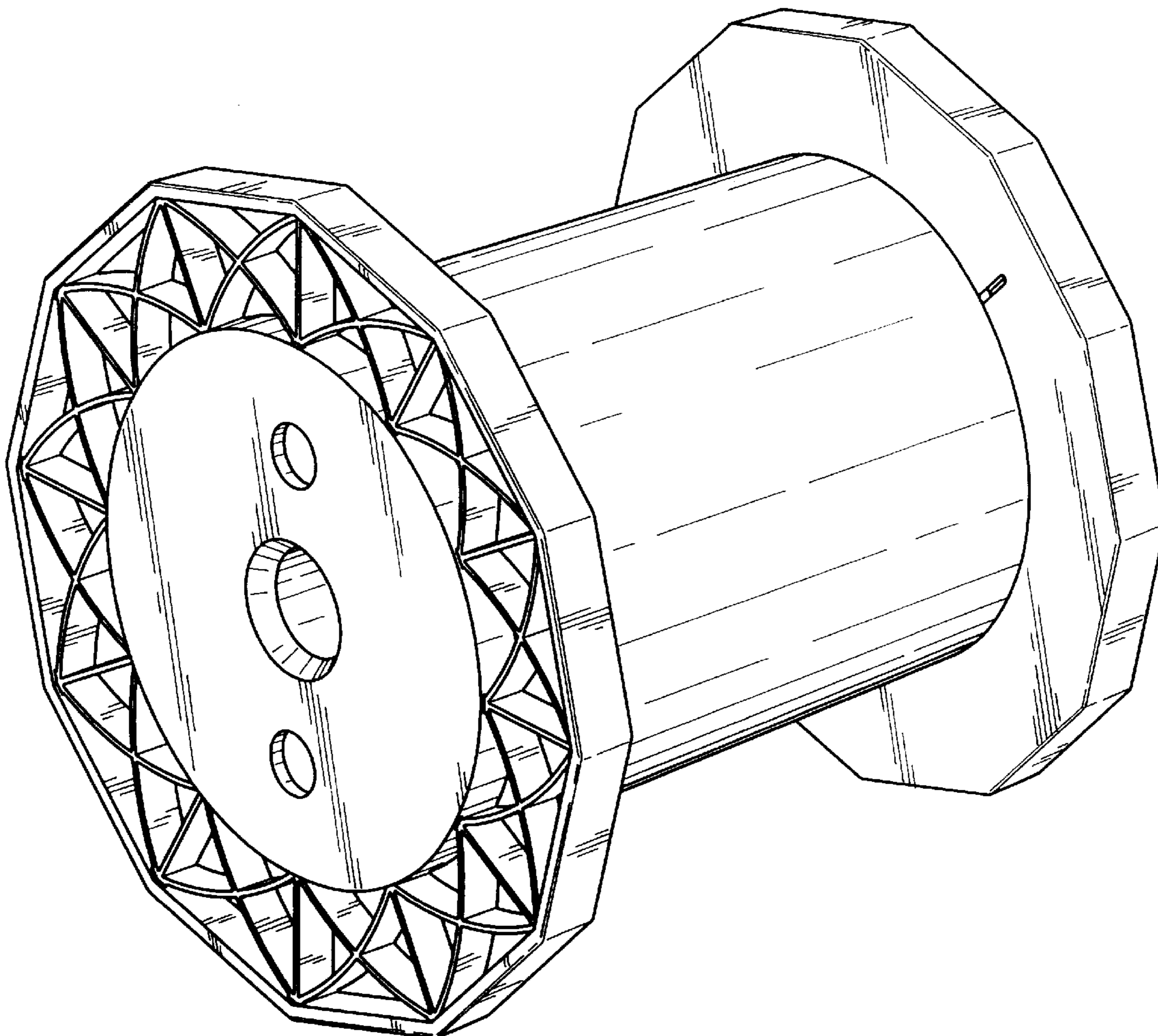
[57] **CLAIM**

The ornamental design for a wire spool, as shown and described.

DESCRIPTION

FIG. 1 is a front and top isometric view of a wire spool embodying my new design;
FIG. 2 is a left end view thereof, the right end view being identical thereto;
FIG. 3 is a front view thereof, the top view, the bottom view and the rear view being identical thereto; and,
FIG. 4 is a sectional view taken along the line 4—4 of FIG. 2.

1 Claim, 3 Drawing Sheets



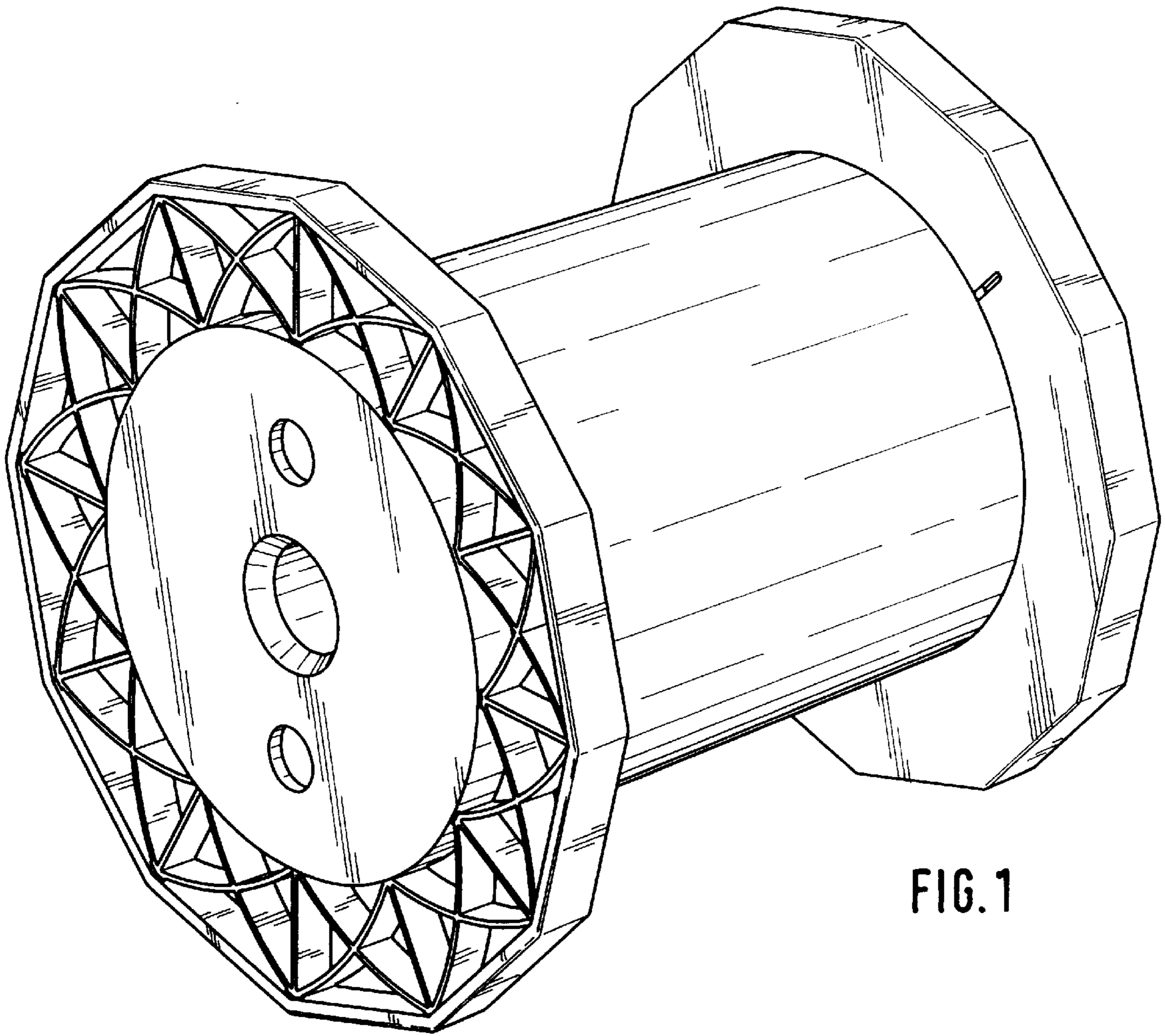


FIG. 1

FIG. 2

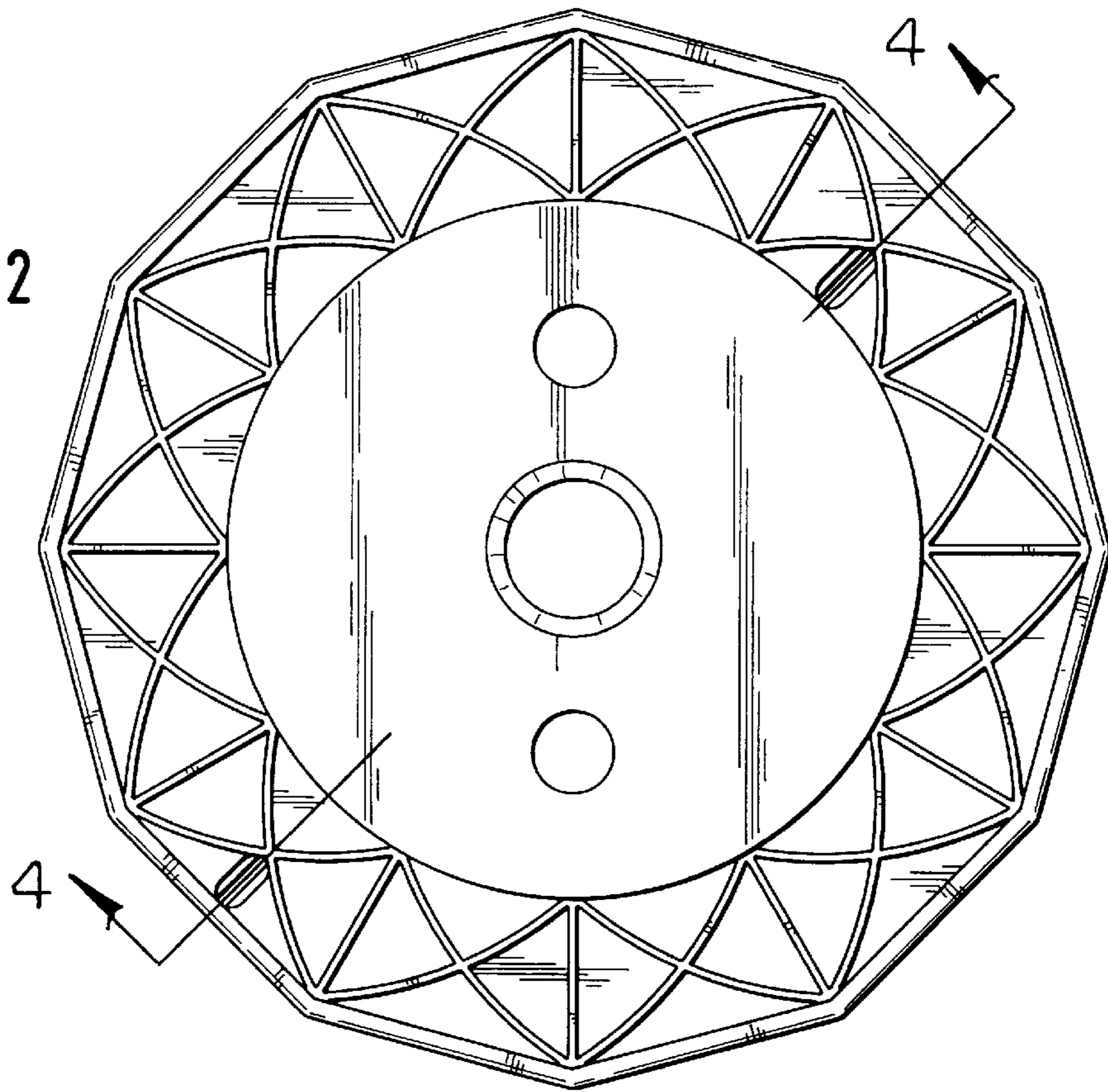


FIG. 3

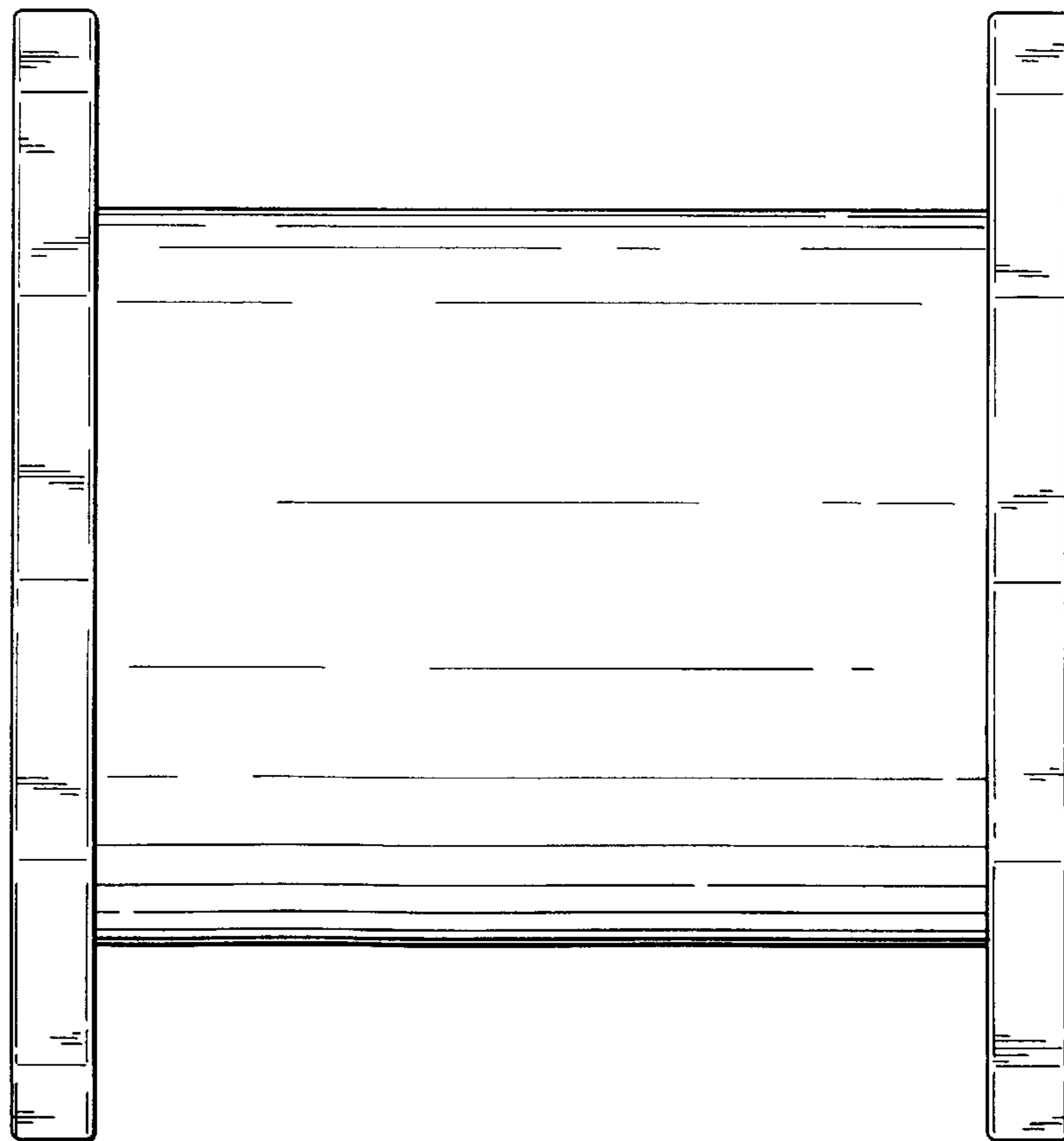


FIG. 4

