



US00D432393S

**United States Patent** [19]  
**Gast**

[11] **Patent Number: Des. 432,393**

[45] **Date of Patent: \*\* Oct. 24, 2000**

[54] **RIBBED SLEEVE FOR LOCK**

[75] Inventor: **Robert L. Gast**, Irvine, Calif.

[73] Assignee: **Hampton Products International**,  
Foothill Ranch, Calif.

[\*\*] Term: **14 Years**

[21] Appl. No.: **29/105,493**

[22] Filed: **May 26, 1999**

[51] **LOC (7) Cl.** ..... **08-07**

[52] **U.S. Cl.** ..... **D8/346; D8/334**

[58] **Field of Search** ..... D8/333, 334, 343,  
D8/346; 70/14, 20.25, 31, 35, 38 A, 38 B,  
38 C, 41, 51, 52, 54, 55, 56

[56] **References Cited**

**U.S. PATENT DOCUMENTS**

D. 115,761	7/1939	Frain	.....	D8/334
D. 406,044	2/1999	Turner	.....	D8/346
D. 408,262	4/1999	Liu	.....	D8/334
1,881,809	10/1932	Maxwell	.....	70/38 A

*Primary Examiner*—Susan J. Lucas

*Assistant Examiner*—Jennifer Rivard  
*Attorney, Agent, or Firm*—William G. Lane

[57] **CLAIM**

The ornamental design for the ribbed sleeve for lock, as shown and described.

**DESCRIPTION**

FIG. 1 is a top perspective view of the ribbed sleeve for lock of the present invention affixed to a padlock;

FIG. 2 is a bottom perspective view of the ribbed sleeve for lock of FIG. 1;

FIG. 3 is a front elevation view of the ribbed sleeve for lock of FIG. 1; the rear elevation view is a mirror image;

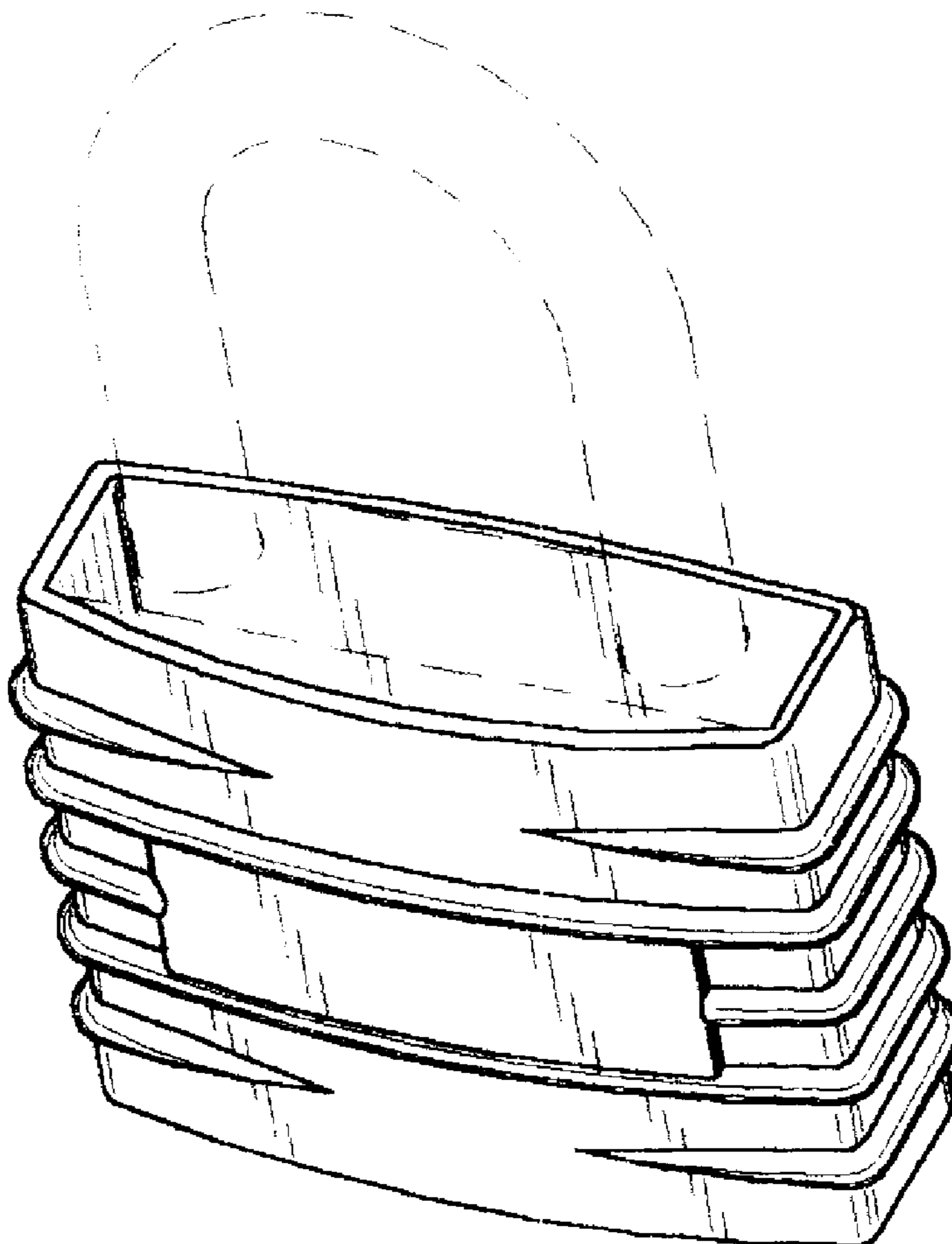
FIG. 4 is a left side elevation view of the ribbed sleeve for lock of FIG. 1; the right side elevation view is a mirror image;

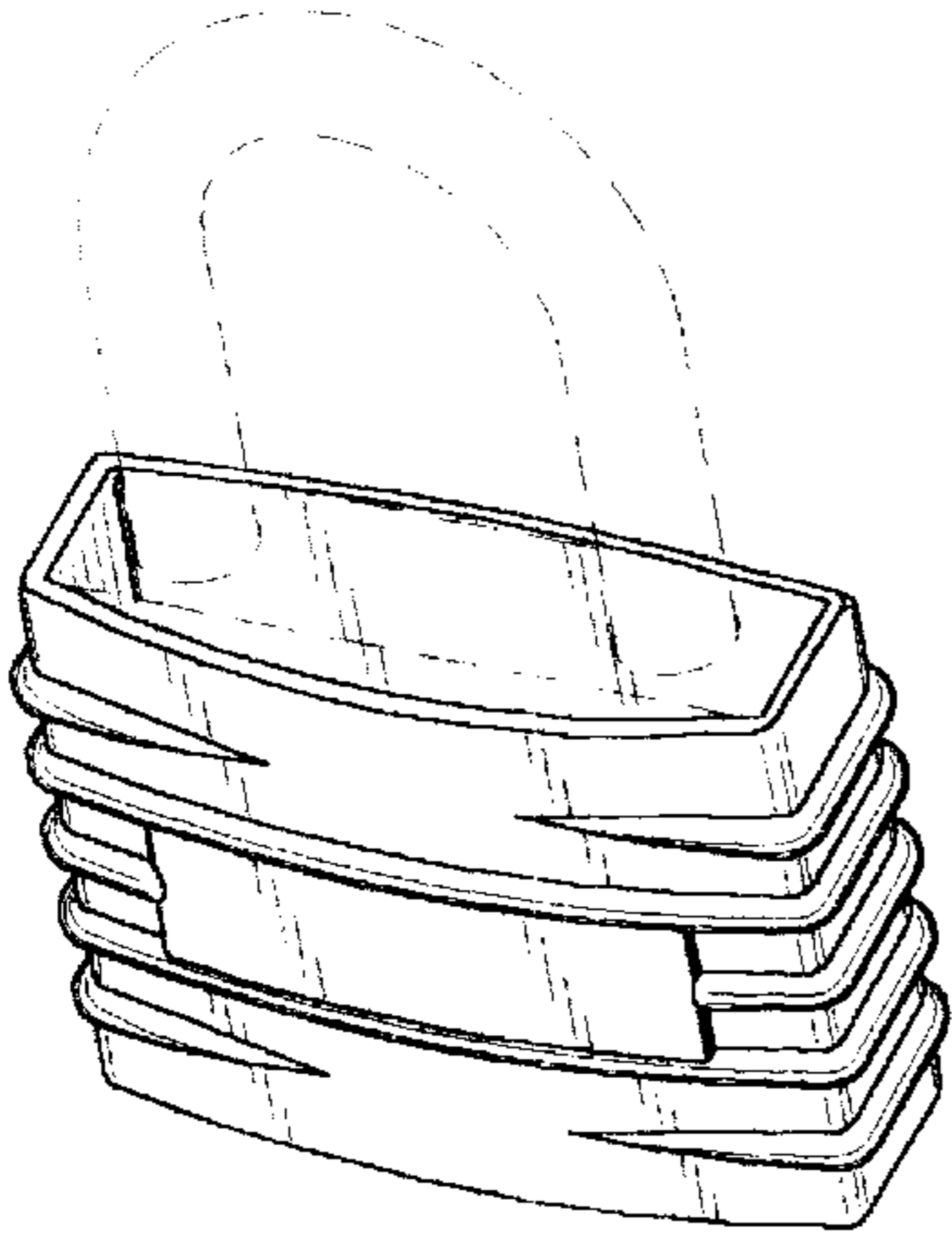
FIG. 5 is a top plan view of the ribbed sleeve for lock of FIG. 1; and,

FIG. 6 is a bottom plan view of the ribbed sleeve for lock of FIG. 1.

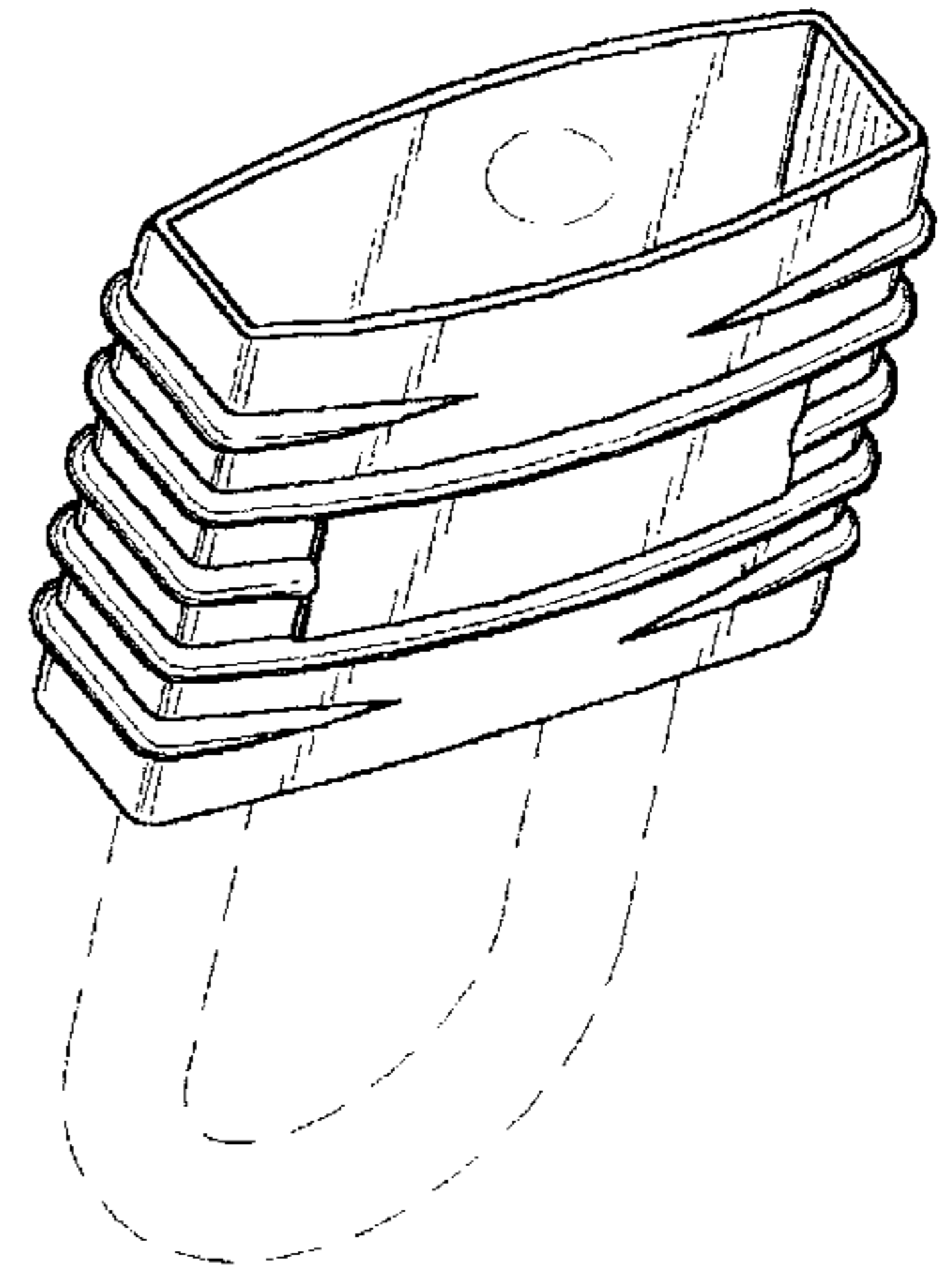
The phantom line disclosures of the shackles, key cylinder, and shackle holes are shown for illustrative purposes only and form no part of the claimed design.

**1 Claim, 1 Drawing Sheet**

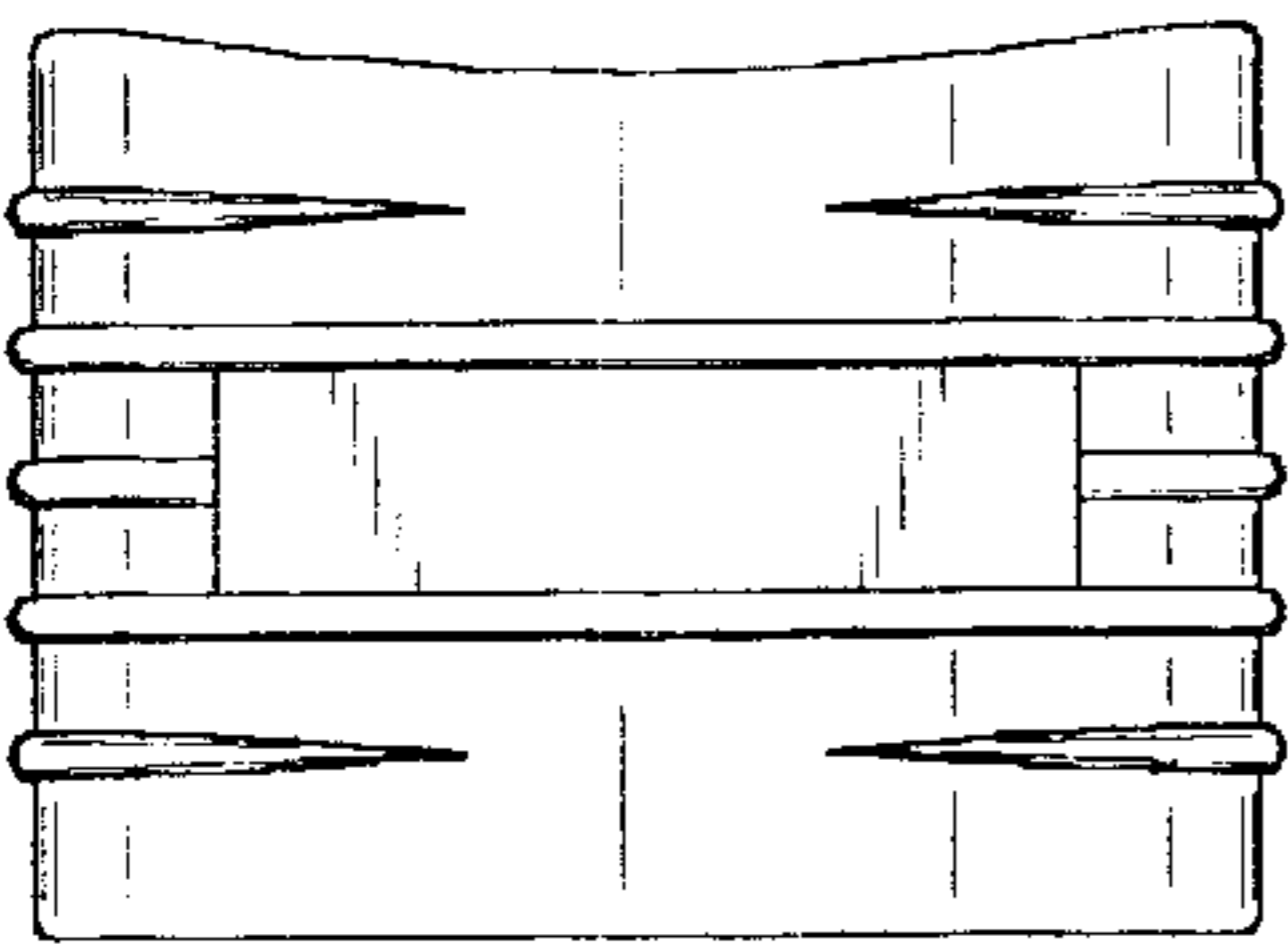




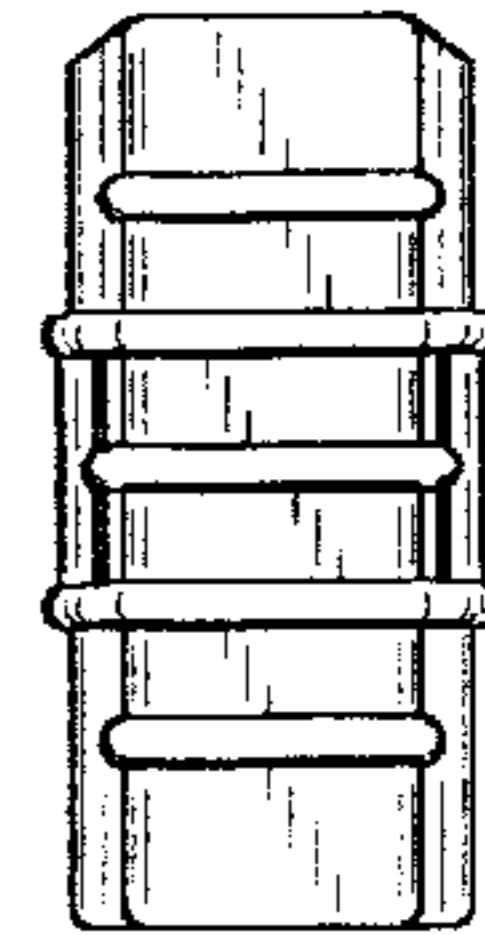
*Fig. 1*



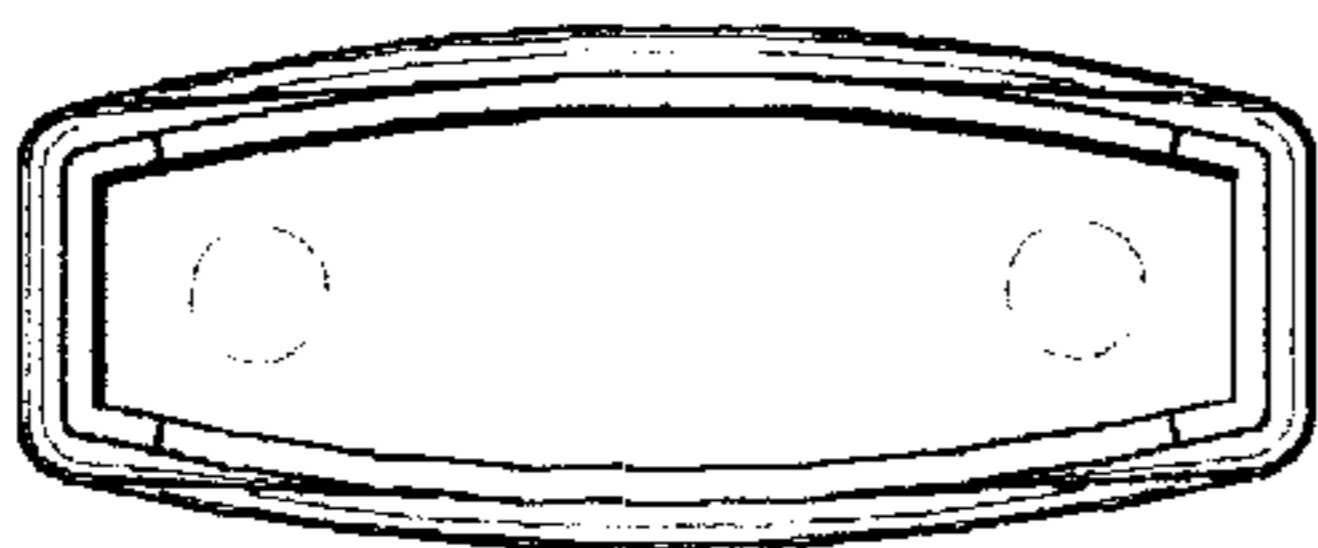
*Fig. 2*



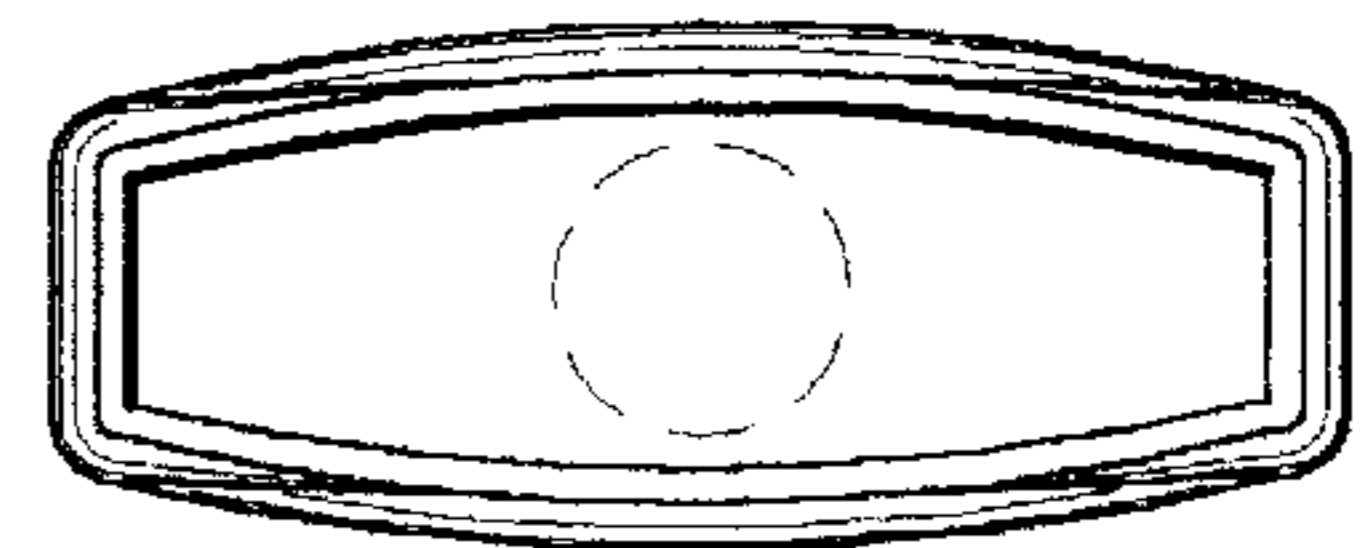
*Fig. 3*



*Fig. 4*



*Fig. 5*



*Fig. 6*