



US00D432389S

United States Patent [19]

[11] **Patent Number: Des. 432,389**

Johansson et al.

[45] **Date of Patent: ** Oct. 24, 2000**

[54] **LATCH**

5,634,359 6/1997 Huebschen 292/370 X
5,683,127 11/1997 Chamberlain 292/337

[75] Inventors: **Torsten Johansson**, Eskilstuna, Sweden; **Claes Magnusson**, London, United Kingdom; **Lynn B. Ziemer**, Glen Mills, Pa.

OTHER PUBLICATIONS

Southco Latches and Access Hardware Catalog 48 pp. G-6, G-8, G-9, G-16 and G-18 (Southco, Inc. Concordville, PA 1998).

[73] Assignee: **Southco, Inc.**, Concordville, Pa.

Primary Examiner—Susan J. Lucas
Assistant Examiner—Jenifer Rivard
Attorney, Agent, or Firm—Paul & Paul

[**] Term: **14 Years**

[21] Appl. No.: **29/084,726**

[57] CLAIM

[22] Filed: **Mar. 9, 1998**

The ornamental design for a latch, as shown and described.

[51] **LOC (7) Cl.** **08-07**

DESCRIPTION

[52] **U.S. Cl.** **D8/331; D8/339; D8/341**

[58] **Field of Search** D8/330, 331, 300, D8/307, 339, 341, 338, 310, 302; 292/DIG. 37, 336.3, 166, 168, 53, 174, 337, 72, 139, 169, 170, 163; 70/207, 208, 78, 52, 81, 495, 310

FIG. 1 is perspective view of a latch embodying our design; FIG. 2 is a right side elevational view of the latch in FIG. 1, the left side being a mirror image of that shown; FIG. 3 is front elevational view of the latch of FIG. 1; FIG. 4 is a rear elevational view of the latch of FIG. 1; FIG. 5 is a top plan view of the latch of FIG. 1; FIG. 6 is a bottom plan view of the latch of FIG. 1; and, FIG. 7 is a perspective view of the latch of FIG. 1 in a closed position.

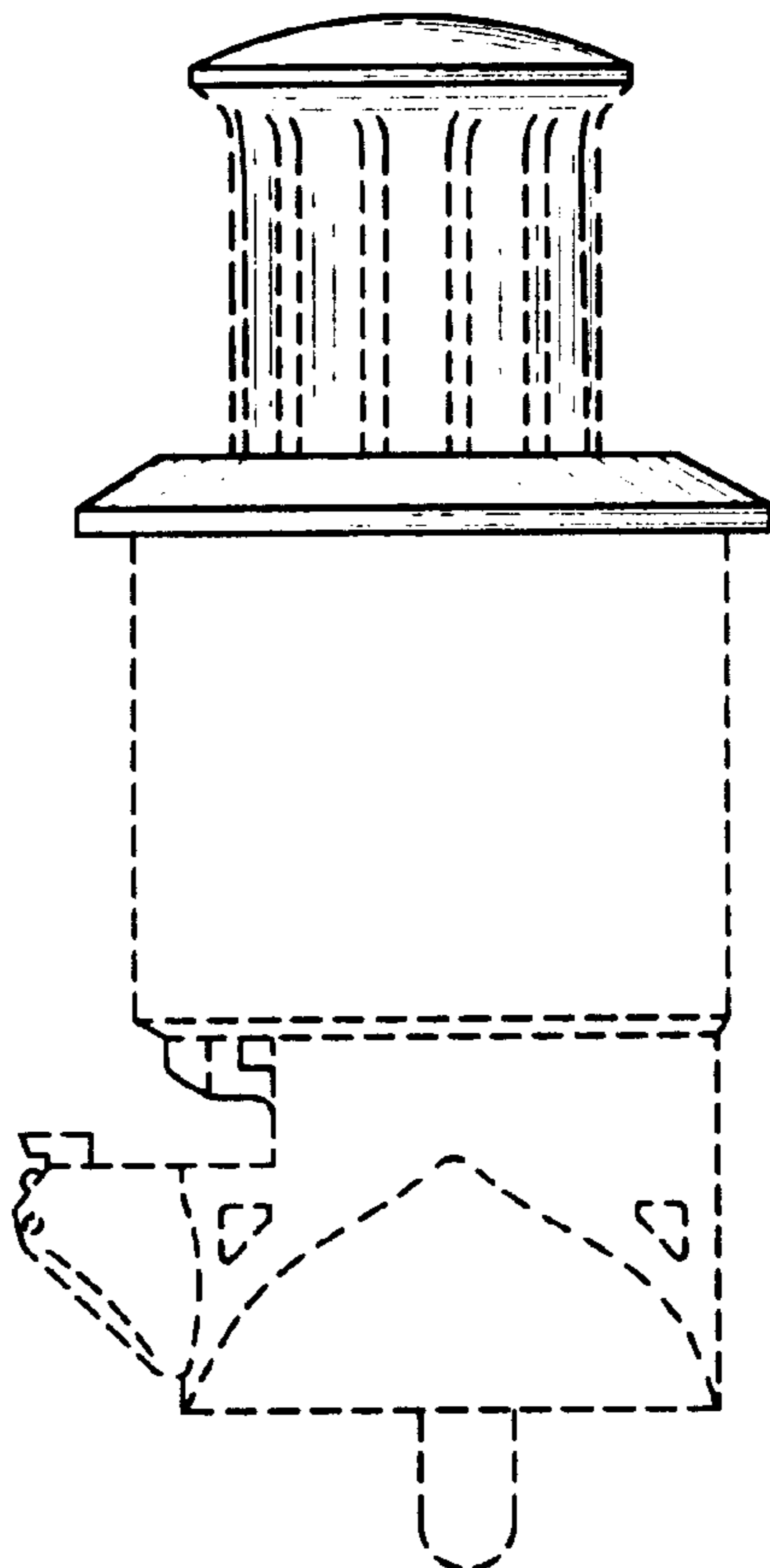
[56] References Cited

U.S. PATENT DOCUMENTS

D. 312,769	12/1990	Bisbing .	
3,287,944	11/1966	Crumb	70/495
3,919,866	11/1975	Lipschutz	70/81
4,031,727	6/1977	De Groat et al.	70/370 X
4,978,152	12/1990	Bisbing .	
5,435,159	7/1995	Ramsauer	70/370

The broken lines showing a portion of a latch in FIGS. 1-7 are for illustrative purposes only and form no part of the claimed design.

1 Claim, 2 Drawing Sheets



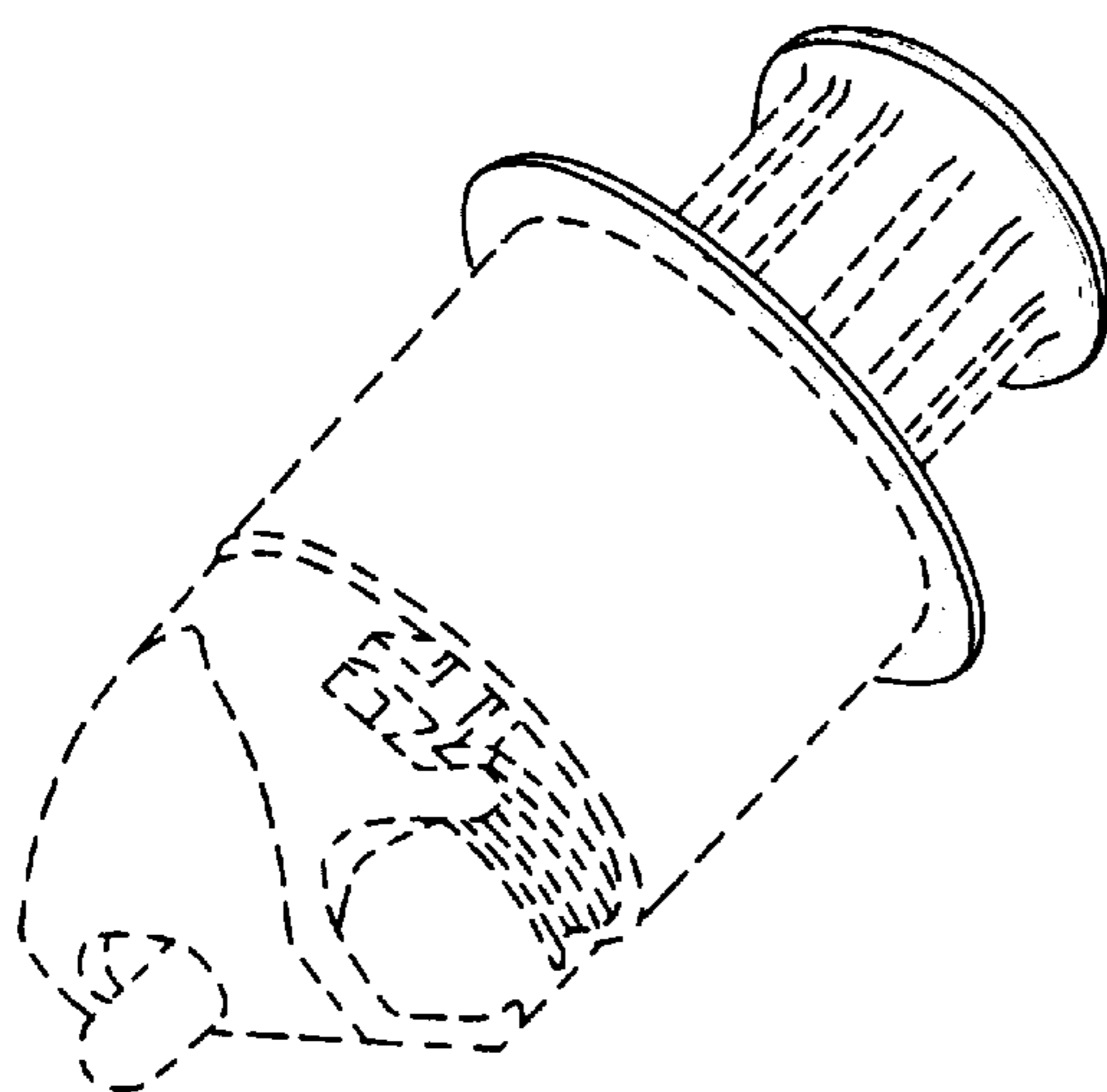


FIG. 1

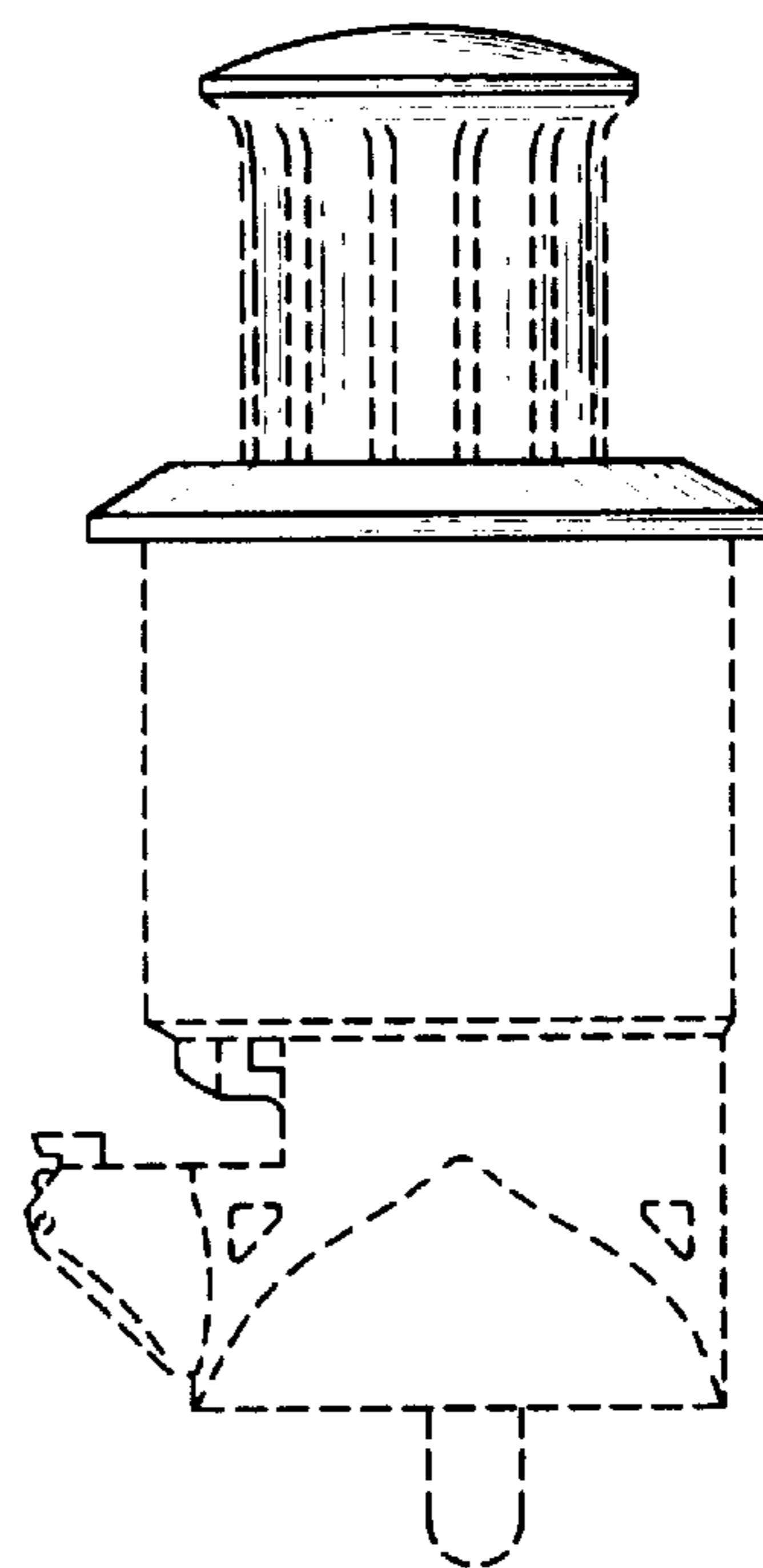


FIG. 2

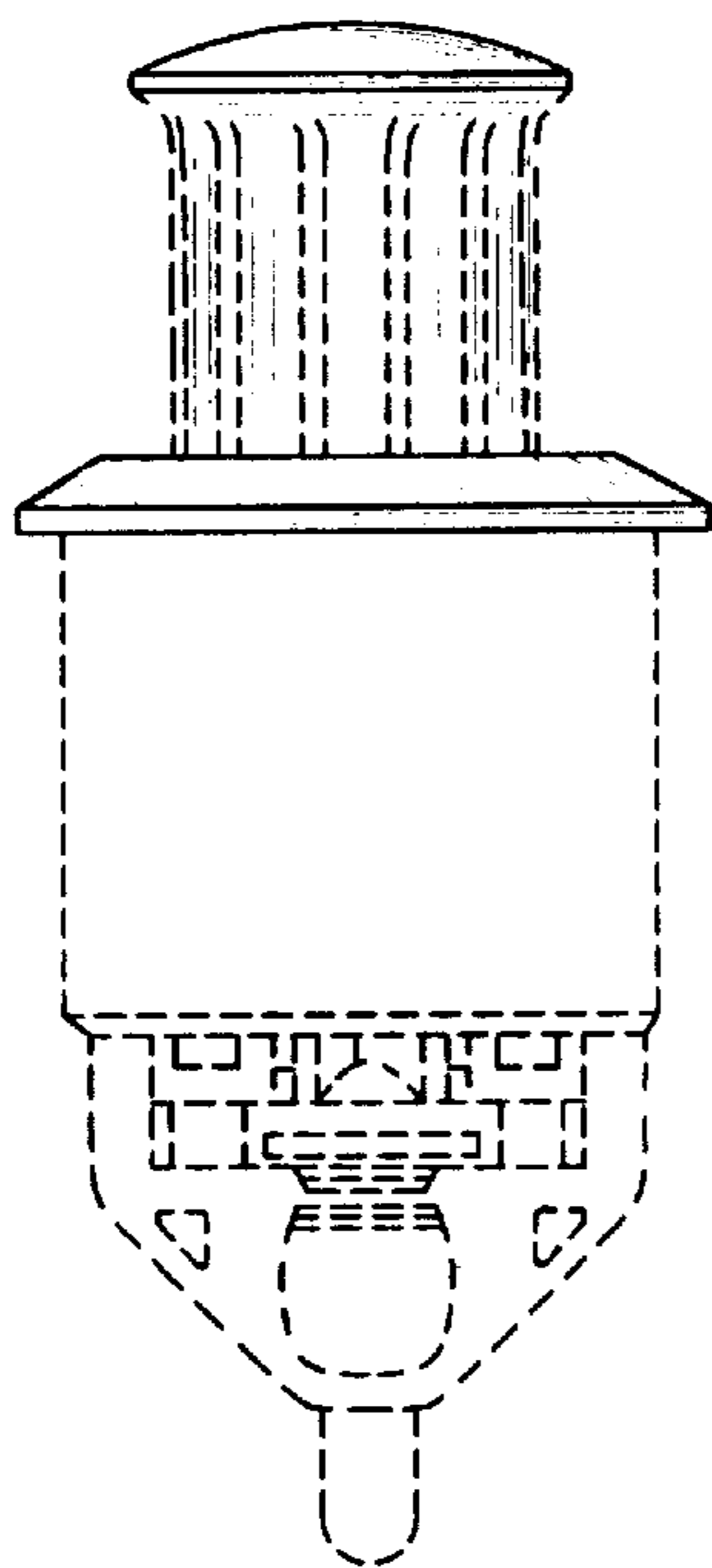


FIG. 3

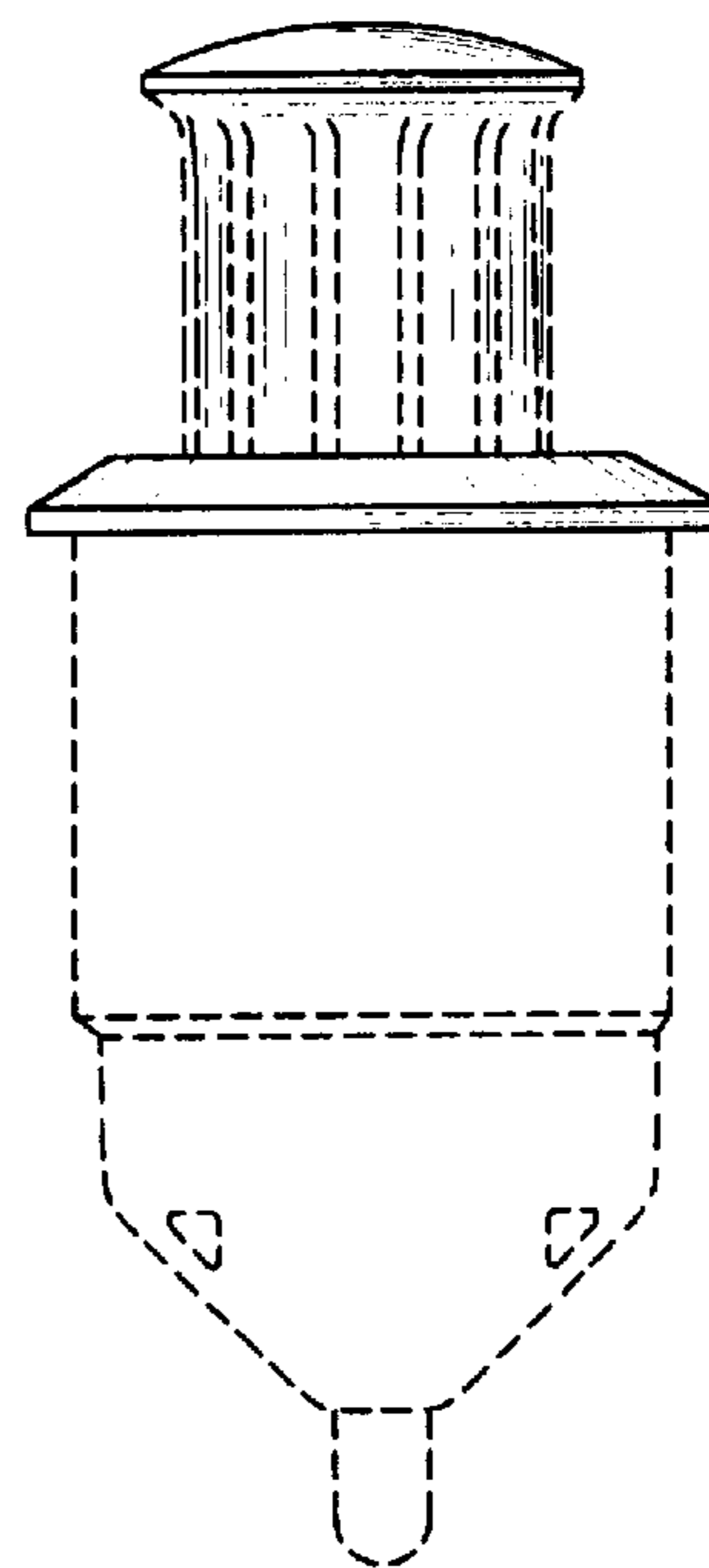


FIG. 4

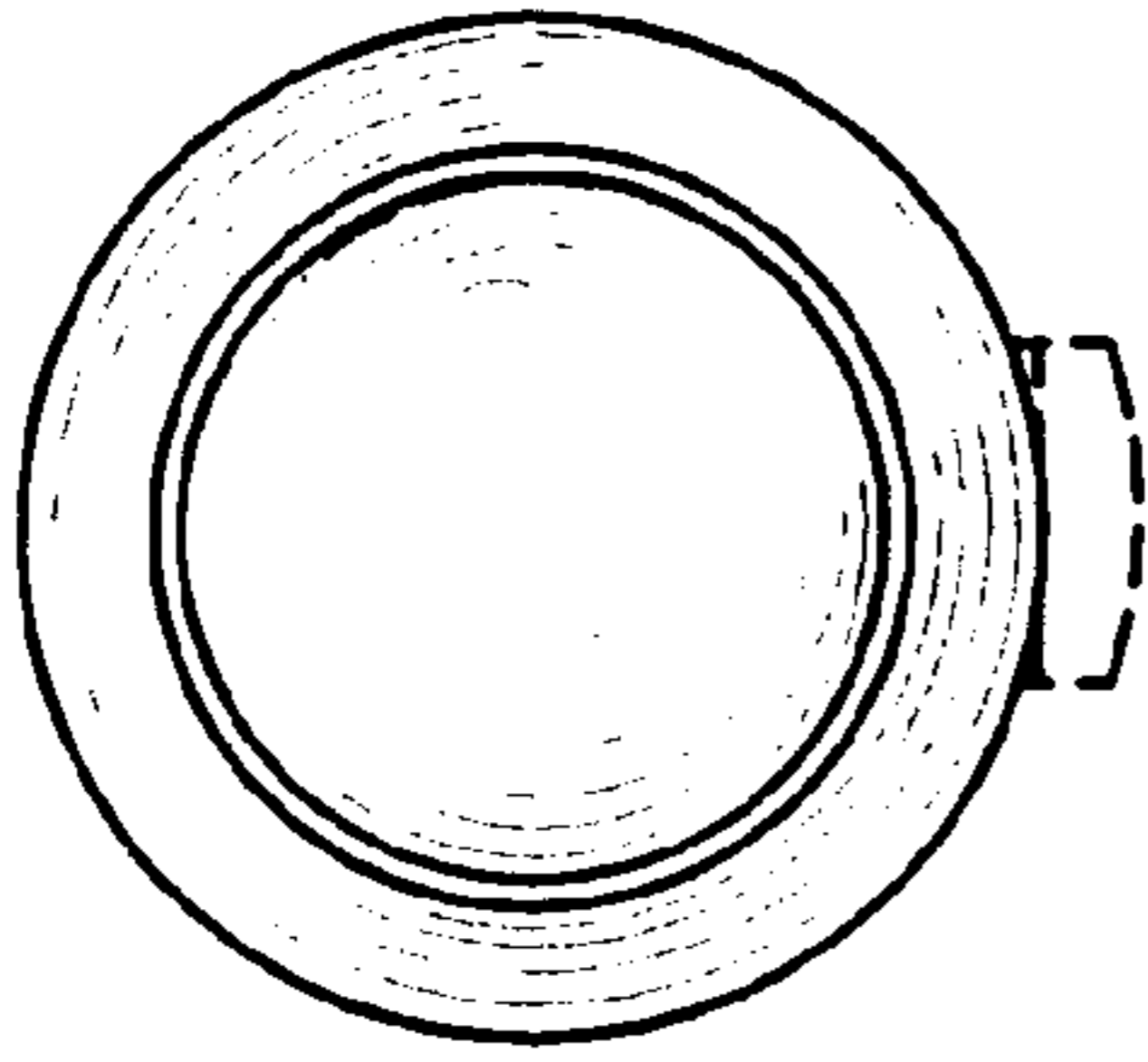


FIG. 5

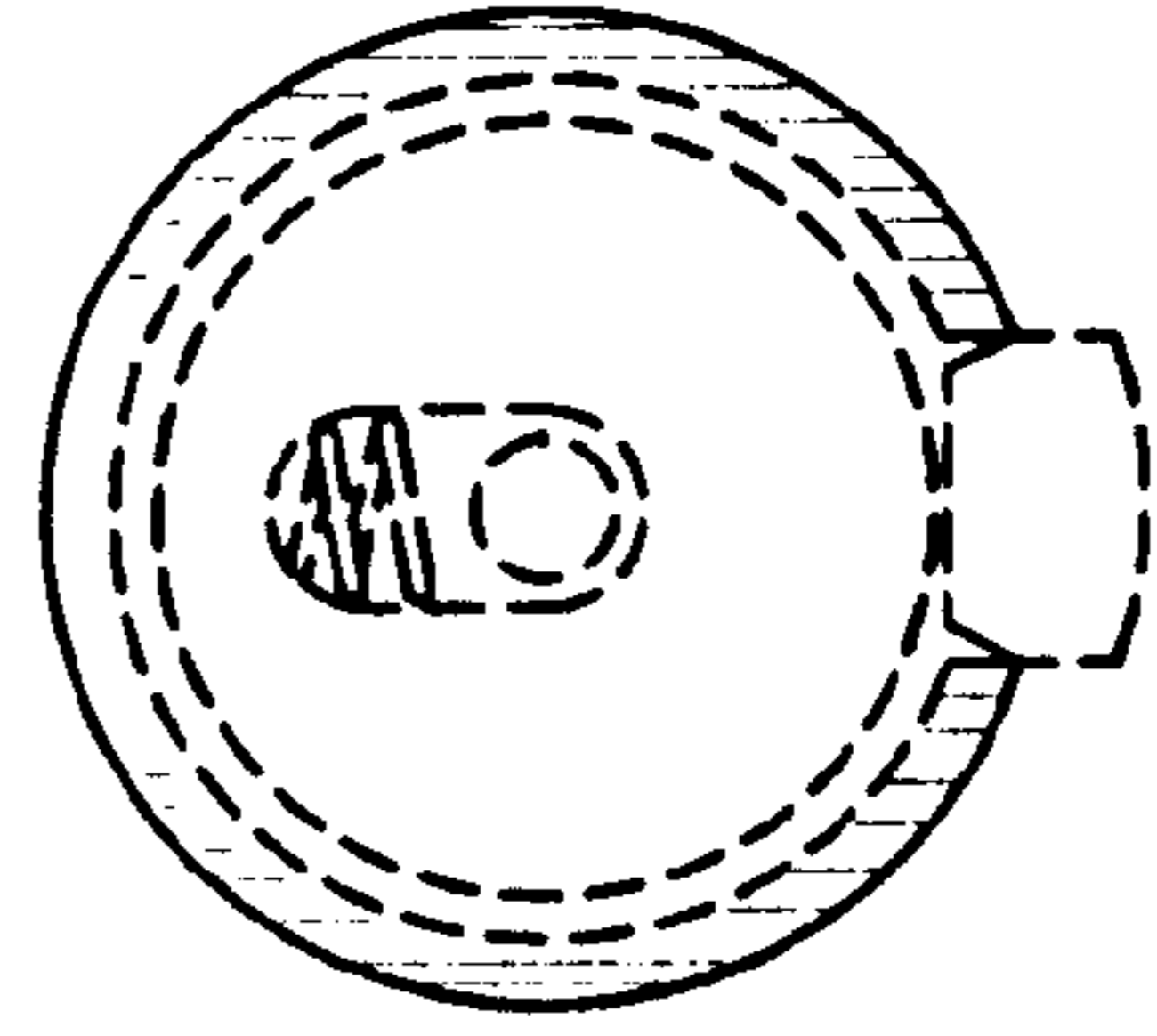


FIG. 6

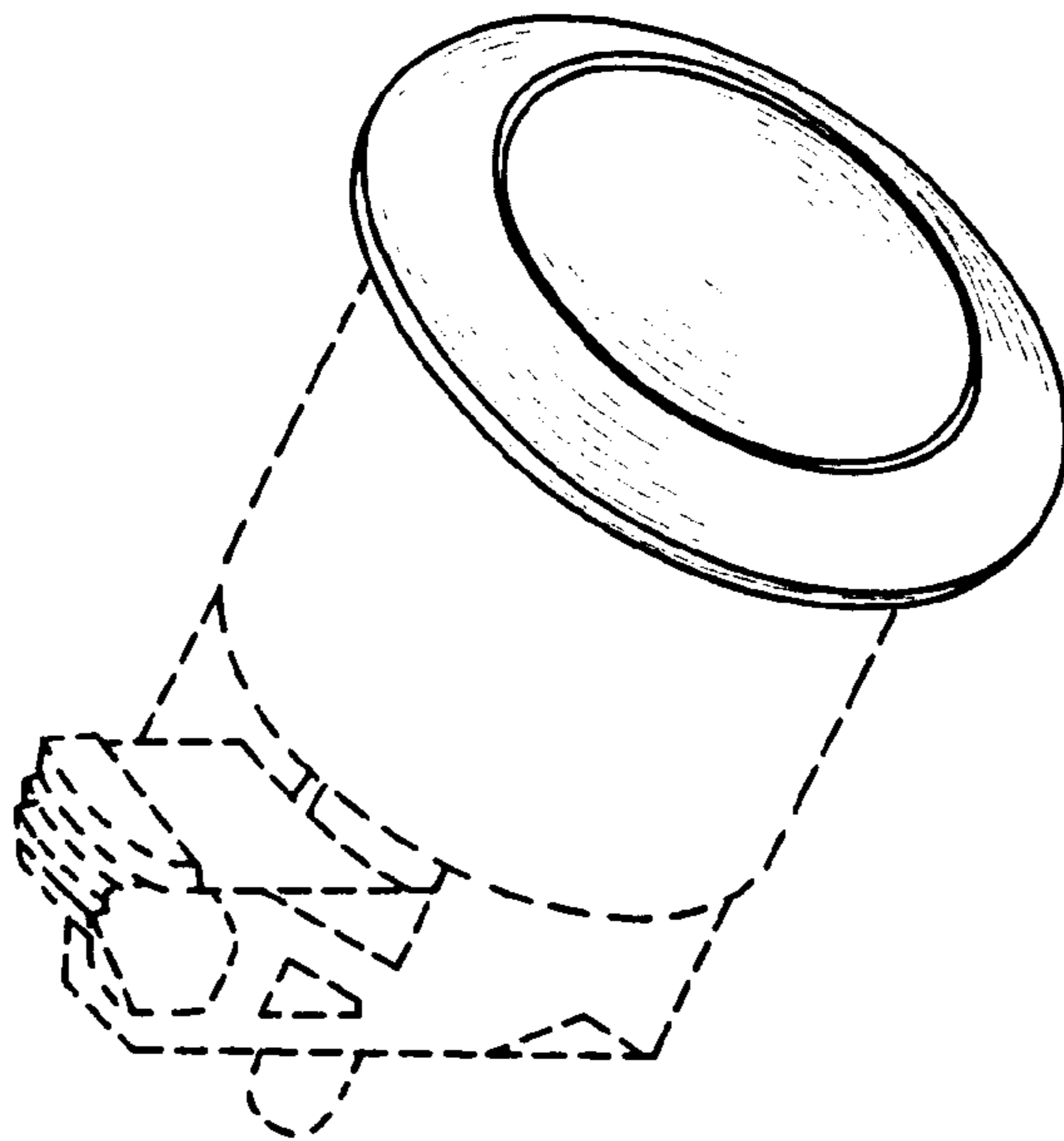


FIG. 7