



US00D432388S

United States Patent [19]
Plumley

[11] **Patent Number: Des. 432,388**

[45] **Date of Patent: ** Oct. 24, 2000**

[54] **TRANSPARENT PLASTIC HINGE**

[57] **CLAIM**

[76] Inventor: **Roger Plumley**, 918 N. Eastern Ave.,
Los Angeles, Calif. 90063

The ornamental design for a transparent plastic hinge, as shown.

[**] Term: **14 Years**

DESCRIPTION

[21] Appl. No.: **29/107,136**

FIG. 1 is an exploded top view of the transparent plastic hinge of the present invention, shown broken away to indicate indeterminate length, elements visible behind transparent surfaces shown in light full lines;

[22] Filed: **Jun. 28, 1999**

FIG. 2 is an isometric view of the present invention shown in one alternate position thereof, shown broken away to indicate indeterminate length, and for clarity a portion of the elements visible behind transparent surfaces are not shown;

[51] **LOC (7) Cl.** **08-06**

[52] **U.S. Cl.** **D8/328**

[58] **Field of Search** D8/323, 327-9;
16/225, 366, 385, 387, 389, 390, DIG. 13

FIG. 3 is an isometric view of the present invention shown in another alternate position thereof, shown broken away to indicate indeterminate length, and for clarity a portion of the elements visible behind transparent surfaces are not shown;

[56] **References Cited**

U.S. PATENT DOCUMENTS

- 2,484,581 10/1949 Pallmen .
- 3,019,486 2/1962 Stinson .
- 4,231,135 11/1980 FradIn .

OTHER PUBLICATIONS

H. A. Guden Co. Inc—Col. 84; p. 7; hinge—(left of page below center).

Stocker Hinge—Continuous Hinge brochure; p. 5; hinge.

Primary Examiner—B. J. Bullock

Attorney, Agent, or Firm—Bruce A. Jagger

FIG. 4 is a top view of the present invention shown in the alternate position of FIG. 2, the view shown broken away to indicate indeterminate length, and for clarity a portion of the elements visible behind transparent surfaces are not shown;

FIG. 5 is a left side view of FIG. 4 of the present invention;

FIG. 6 is a right side view of FIG. 4 of the present invention; and,
FIG. 7 is a back view of FIG. 4 of the present invention shown broken away to indicate indeterminate length, and for clarity a portion of the elements visible behind transparent surfaces are not shown.

1 Claim, 3 Drawing Sheets

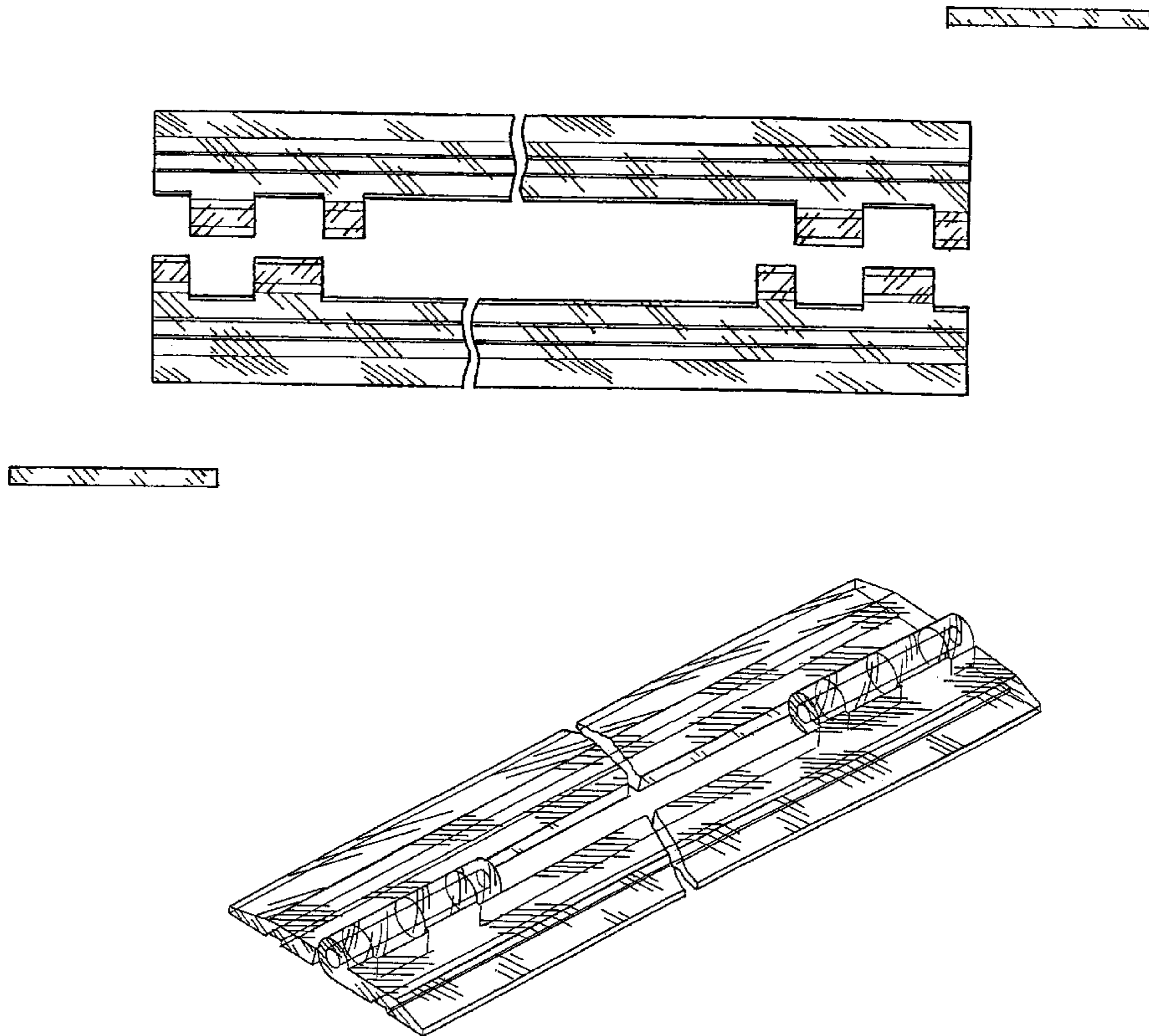


Fig. 1

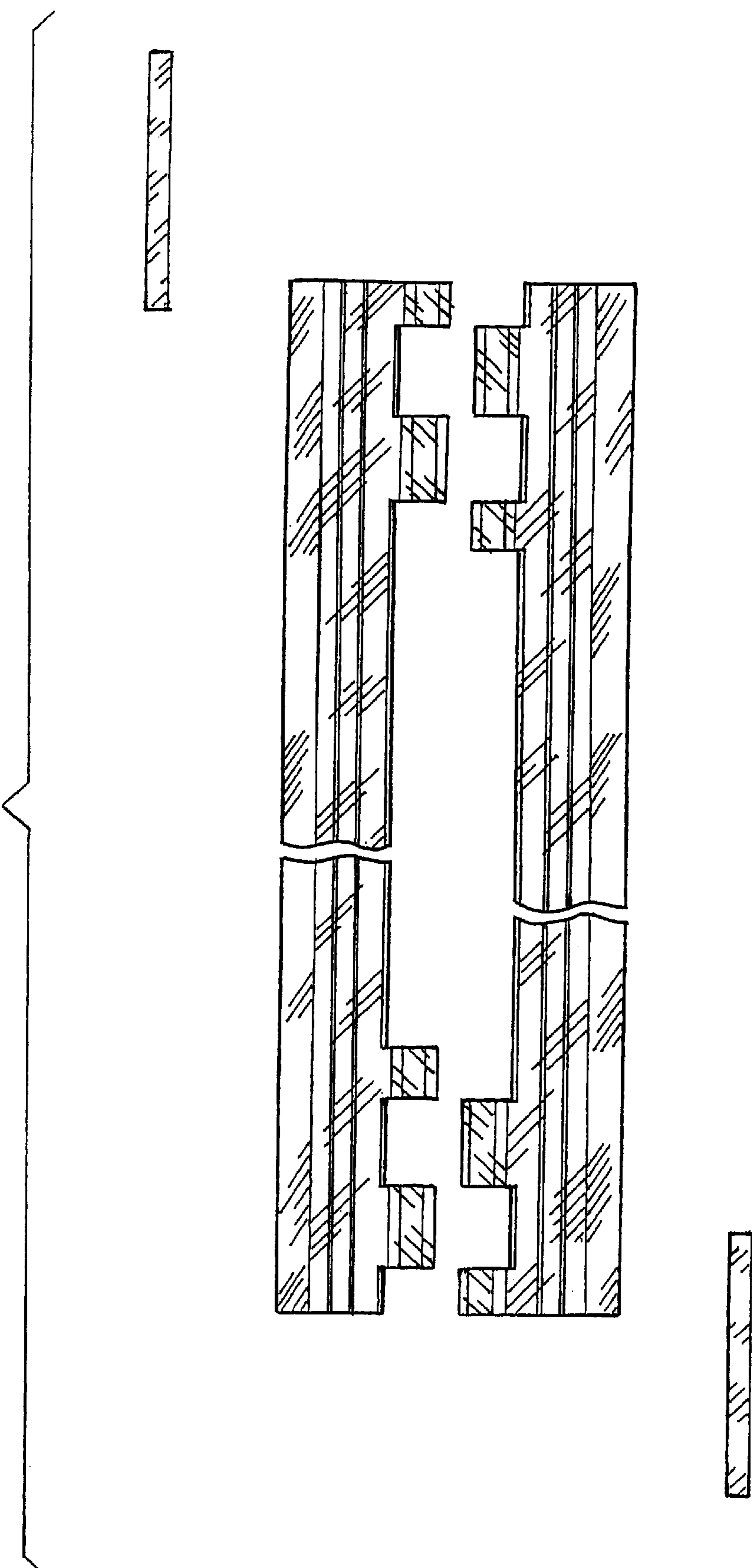


Fig 2

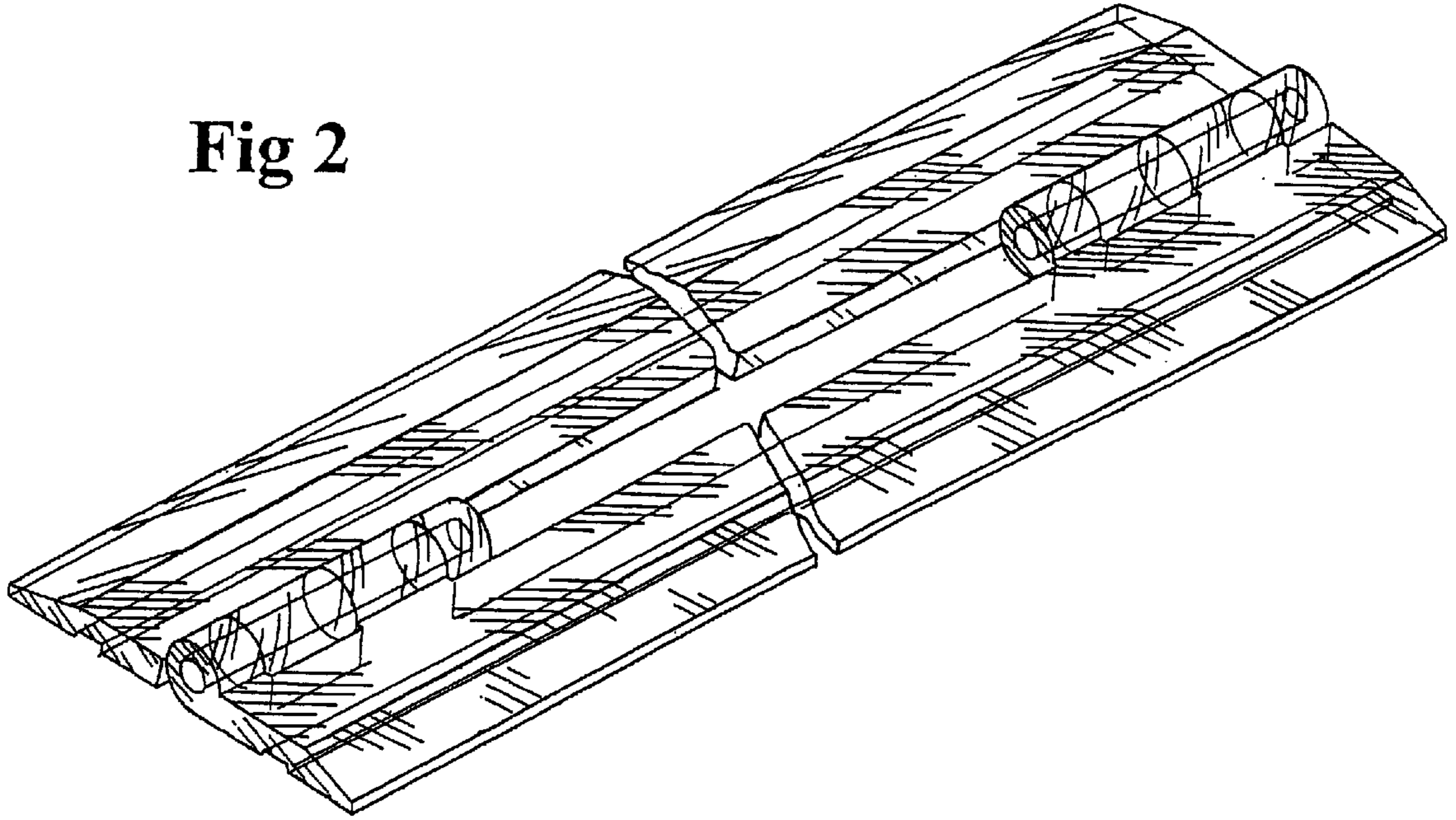


Fig 3

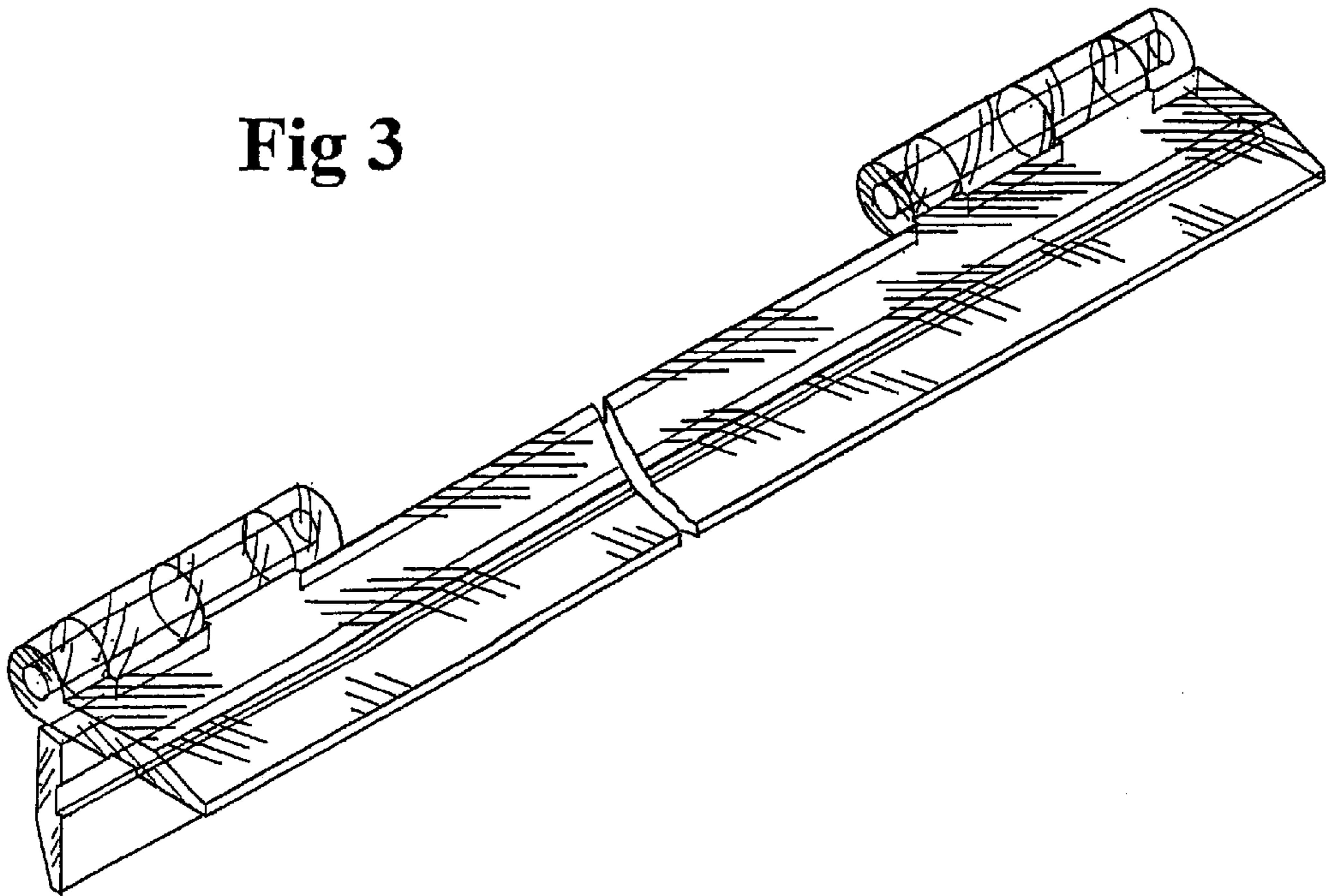


Fig 5



Fig 4

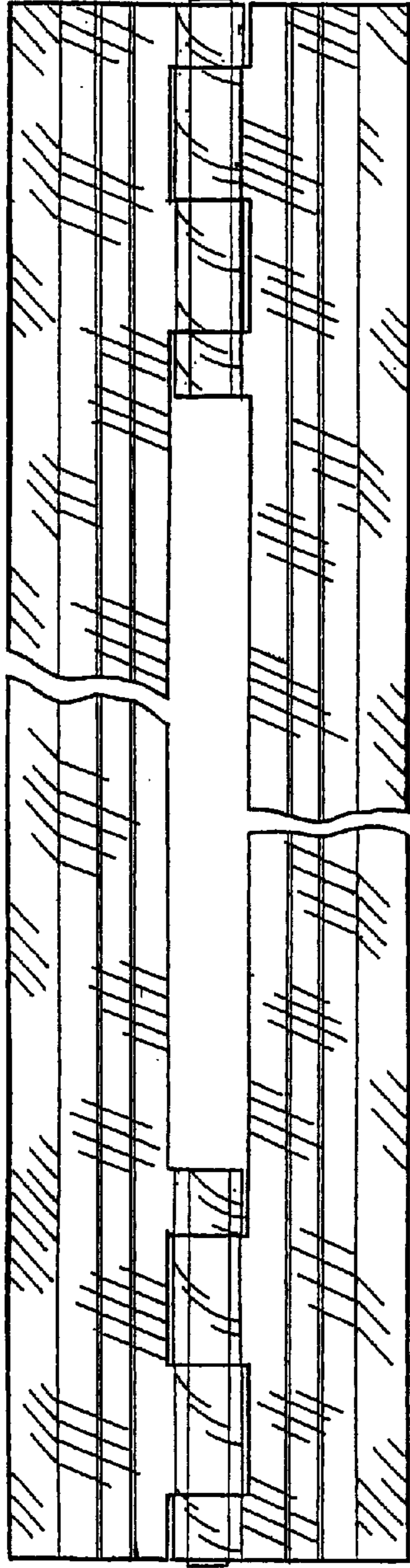


Fig 6



Fig 7

